



US00D741978S

(12) **United States Design Patent**  
**Shea et al.**

(10) **Patent No.:** **US D741,978 S**

(45) **Date of Patent:** **\*\* Oct. 27, 2015**

(54) **PORTION OF A FIREARM HANDGUARD**

(71) Applicant: **RA Brands, L.L.C.**, Madison, NC (US)

(72) Inventors: **Kiernan Shea**, Brooks, KY (US); **David O. Matteson**, Horse Cave, KY (US); **Marlin R. Jiranek**, Elizabethtown, KY (US)

(73) Assignee: **RA Brands, L.L.C.**, Madison, NC (US)

(\*\*) Term: **14 Years**

(21) Appl. No.: **29/480,159**

(22) Filed: **Jan. 23, 2014**

(51) **LOC (10) Cl.** ..... **22-01**

(52) **U.S. Cl.**  
USPC ..... **D22/108**

(58) **Field of Classification Search**  
USPC ..... D22/103, 104, 108; D21/572-575;  
42/51, 71.01, 75.01, 75.02, 90, 94,  
42/134, 136, 139, 125, 72, 111; 89/40.06,  
89/41.19, 37.04, 33.04, 191.01, 200-204;  
124/67, 66, 72, 74  
CPC ..... F41C 7/00; F41C 7/11; F41C 7/12  
See application file for complete search history.

(56) **References Cited**

U.S. PATENT DOCUMENTS

2,102,964	A	12/1937	Mossberg
3,827,172	A	8/1974	Howe
4,845,871	A	7/1989	Swan
5,590,484	A	1/1997	Mooney et al.
6,490,822	B1	12/2002	Swan
D477,855	S	7/2003	Selvaggio
6,655,069	B2	12/2003	Kim

(Continued)

FOREIGN PATENT DOCUMENTS

CA	117291	1/2008
WO	WO2013/010515 A1	1/2013

OTHER PUBLICATIONS

“Tuff Zone Carbine Size & Mid. Length Free Float Hand Guard”  
www.amazon.com, <http://www.amazon.com/TUFF-ZONE-Carbine-Length-FLOAT/dp/B007MAEW78> (Accessed May 1, 2014).

(Continued)

*Primary Examiner* — Michael A. Pratt

(74) *Attorney, Agent, or Firm* — Womble Carlyle Sandridge & Rice, LLP

(57) **CLAIM**

The ornamental design for a portion of a firearm handguard, as shown and described.

**DESCRIPTION**

FIG. 1 is a front, left, bottom perspective view of the portion of the firearm handguard in accordance with the present invention;

FIG. 2 is a left elevation view of the portion of the firearm handguard of FIG. 1;

FIG. 3 is a right elevation view of the portion of the firearm handguard of FIG. 1;

FIG. 4 is a top plan view of the portion of the firearm handguard of FIG. 1;

FIG. 5 is a bottom plan view of the portion of the firearm handguard of FIG. 1;

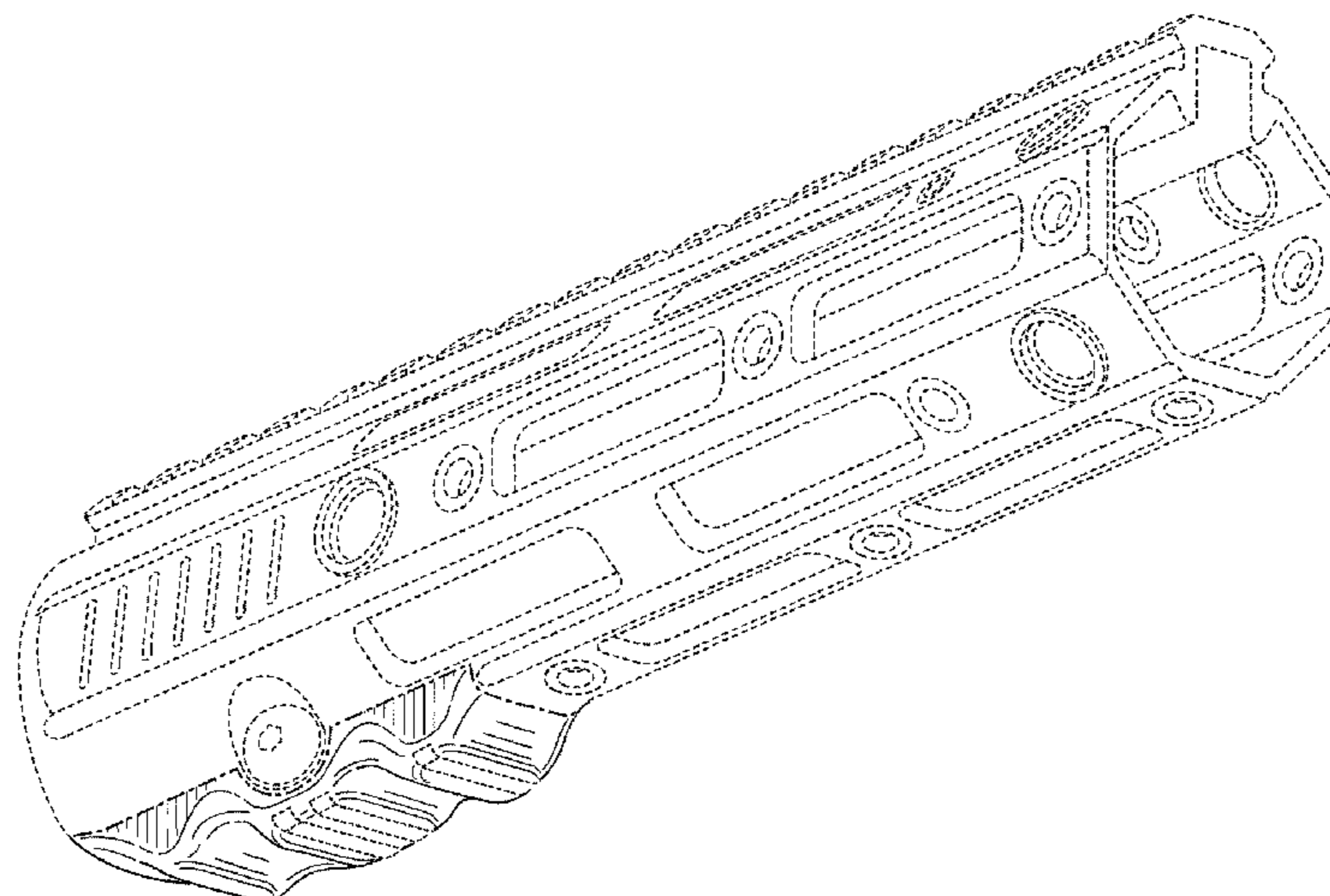
FIG. 6 is a front elevation view of the portion of the firearm handguard of FIG. 1;

FIG. 7 is a rear elevation view of the portion of the firearm handguard of FIG. 1; and,

FIG. 8 is a left elevation view of the portion of the firearm handguard of FIG. 1.

The broken lines shown herein are for illustrative purposes and form no part of the claimed design. In FIGS. 1-3, 5, 7 and 8, the broken lines in the form of an alternating series of relatively short dashes and relatively long dashes represent the bounds of the claimed design.

**1 Claim, 5 Drawing Sheets**



(56)

References Cited

U.S. PATENT DOCUMENTS

6,694,660 B1 2/2004 Davies  
 D537,901 S 3/2007 Elkaim  
 RE40,216 E 4/2008 Swan  
 7,523,580 B1 4/2009 Tankersley  
 D604,793 S 11/2009 Fitzpatrick et al.  
 D606,614 S 12/2009 Fitzpatrick et al.  
 7,669,359 B2 3/2010 Kim  
 D613,811 S 4/2010 Swan  
 D616,521 S 5/2010 Starnes  
 7,716,865 B2 5/2010 Daniel et al.  
 7,770,317 B1 8/2010 Tankersley  
 7,793,452 B1\* 9/2010 Samson et al. .... 42/72  
 D631,933 S 2/2011 Thompson  
 7,908,784 B2 3/2011 Kim  
 7,941,959 B1 5/2011 Swan  
 D639,376 S 6/2011 Ding  
 D641,450 S\* 7/2011 Ding ..... D22/108  
 D641,825 S 7/2011 Gridelet  
 7,975,595 B2 7/2011 Robinson et al.  
 8,141,285 B2 3/2012 Brown  
 8,191,300 B2 6/2012 Daniel  
 8,201,353 B1 6/2012 Swan  
 8,276,303 B2\* 10/2012 Kapusta et al. .... 42/71.01  
 8,276,304 B2 10/2012 Samson et al.  
 8,336,243 B2 12/2012 Langevin et al.  
 D692,516 S 10/2013 Yan et al.  
 8,561,517 B2\* 10/2013 Brown ..... 89/1.4  
 D702,793 S\* 4/2014 Burt et al. .... D22/103  
 D703,286 S 4/2014 Chen et al.  
 D709,582 S\* 7/2014 Geissele ..... D22/108  
 D711,492 S\* 8/2014 Yan et al. .... D22/108  
 D715,885 S\* 10/2014 Silvers et al. .... D22/108  
 D720,421 S\* 12/2014 Chen ..... D22/108  
 8,931,196 B1\* 1/2015 Larue ..... 42/71.01  
 D724,170 S\* 3/2015 Huang ..... D22/108  
 2005/0268513 A1 12/2005 Battaglia  
 2007/0266611 A1 11/2007 Stover  
 2009/0038198 A1\* 2/2009 Yu ..... 42/90

2010/0300277 A1\* 12/2010 Hochstrate et al. .... 89/179  
 2011/0107643 A1\* 5/2011 Fitzpatrick et al. .... 42/72  
 2011/0126443 A1 6/2011 Sirois  
 2011/0192066 A1 8/2011 Kimmel et al.  
 2012/0124880 A1\* 5/2012 Leclair ..... 42/71.01  
 2012/0159828 A1 6/2012 Jarboe et al.  
 2012/0167433 A1\* 7/2012 Robbins et al. .... 42/75.02  
 2012/0167434 A1 7/2012 Masters  
 2012/0180359 A1\* 7/2012 Fitzpatrick et al. .... 42/71.01  
 2012/0186123 A1\* 7/2012 Troy et al. .... 42/71.01  
 2012/0198990 A1\* 8/2012 Brittin ..... 89/191.01  
 2013/0276344 A1\* 10/2013 Picciotta et al. .... 42/94  
 2014/0068987 A1\* 3/2014 Burt ..... 42/16  
 2014/0075816 A1\* 3/2014 Larson et al. .... 42/73  
 2014/0223794 A1\* 8/2014 Brown ..... 42/75.03  
 2014/0373419 A1\* 12/2014 Leclair ..... 42/71.01

OTHER PUBLICATIONS

“Gen2 SS-Series One-Piece Free Float Handguard 10 inch Carbine Black” [www.dbackpolice.com](http://www.dbackpolice.com), [http://www.midwestindustriesinc.com/index.cfm?fuseaction=category.display&category\\_i](http://www.midwestindustriesinc.com/index.cfm?fuseaction=category.display&category_i). Barry, Max; NationStates; Awac States Log; 12 pages; Mar. 8, 2013; <http://forum.nationstates.net/viewtopic.php?f=23&t=72464&start=0>.  
 Class 3 Sales Accessories, accessed Oct. 2, 2012, <http://home.comcast.net/~gunrunner1/add.htm>.  
 Color Image; Firearm carbine ACR 8 ss; 1 page; Mar. 8, 2013; [http://homefront.wikia.com/wiki/File:Firearm\\_carbine\\_ACR\\_8\\_ss.jpg](http://homefront.wikia.com/wiki/File:Firearm_carbine_ACR_8_ss.jpg).  
 Leapers H&K Handguard Picatinny / Weaver Rails MNT-P501 Product Info, accessed Oct. 2, 2012, <http://www.opticsplanet.com/leapers-h-k-handguard-picatinny-weaver-rails-mnt-p501.ht>.  
 Zimba, Jeff W.; Another Tactical Upgrade from MGI Military: The QCB Upper Receiver for the AR-15/M16/M4; The Small Arms Review, vol. 8 No. 3; pp. 37-40; Dec. 2004.  
 European Extended Search Report for corresponding European Patent App. No. 15140951.0, dated Jun. 8, 2015.

\* cited by examiner

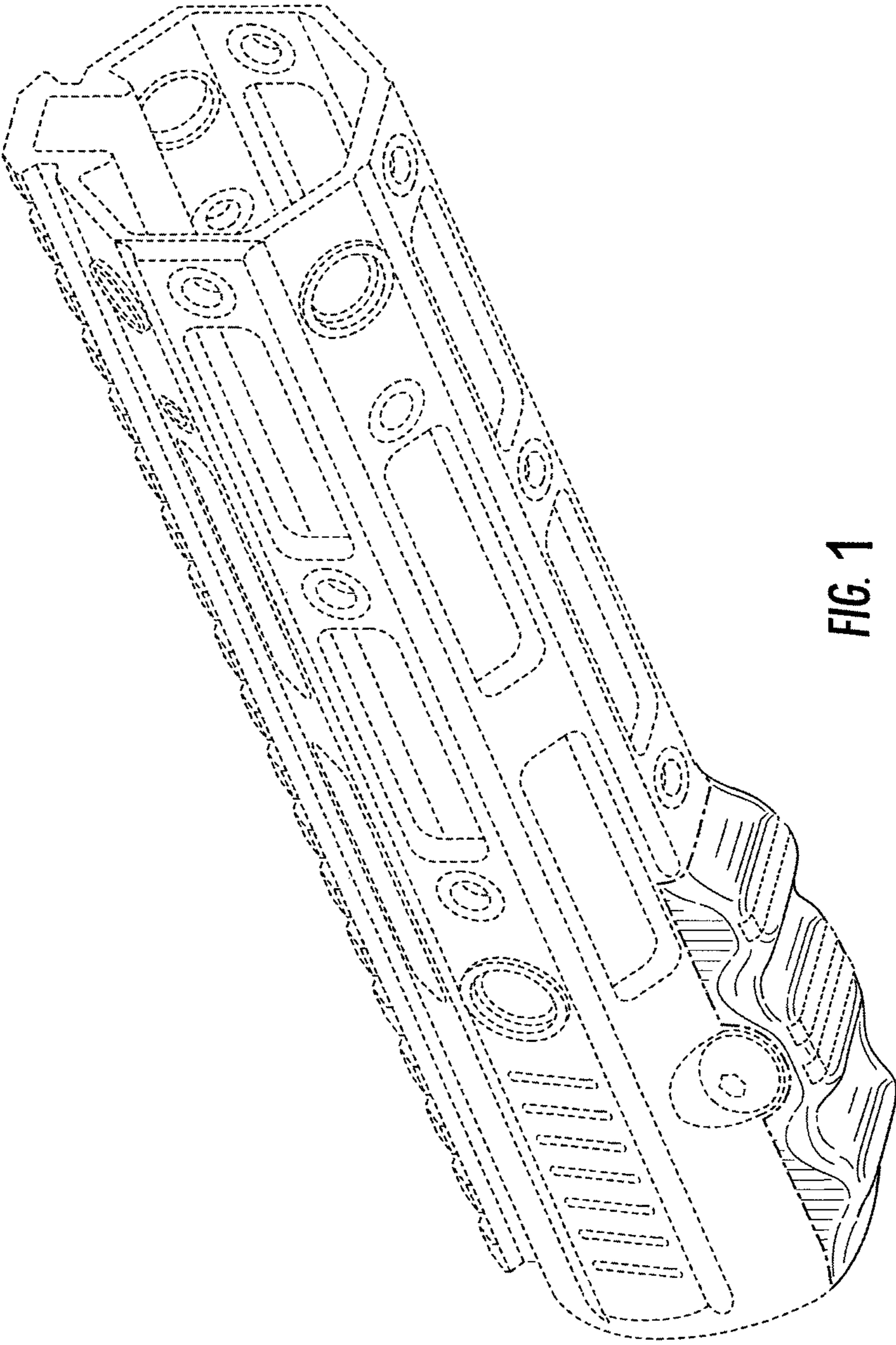


FIG. 1

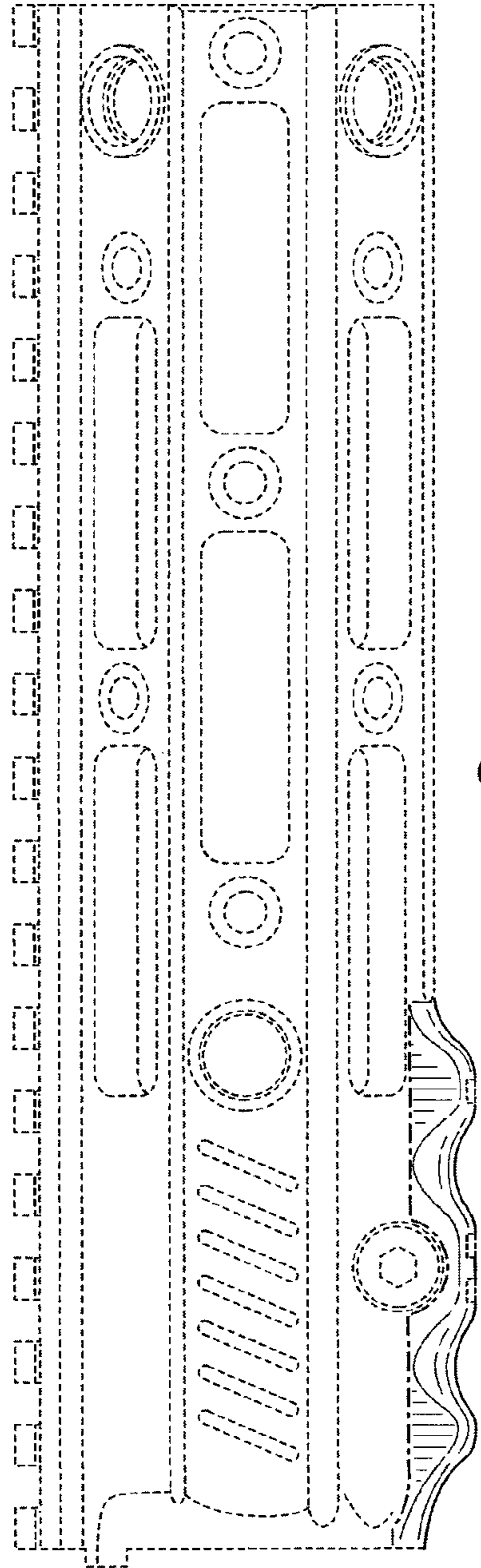


FIG. 2

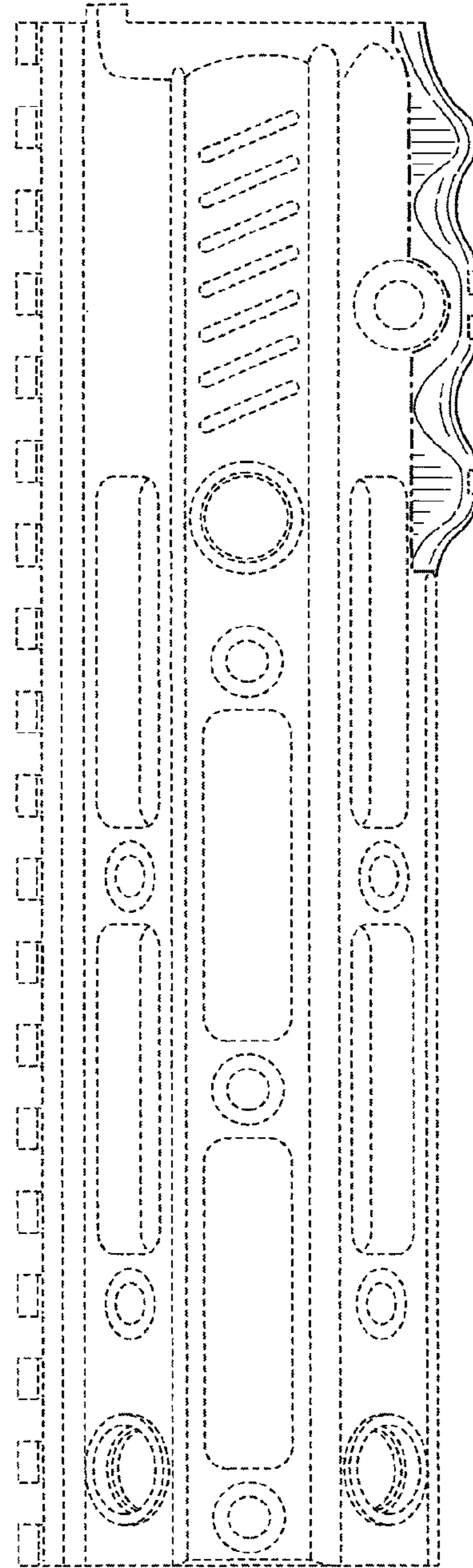


FIG. 3

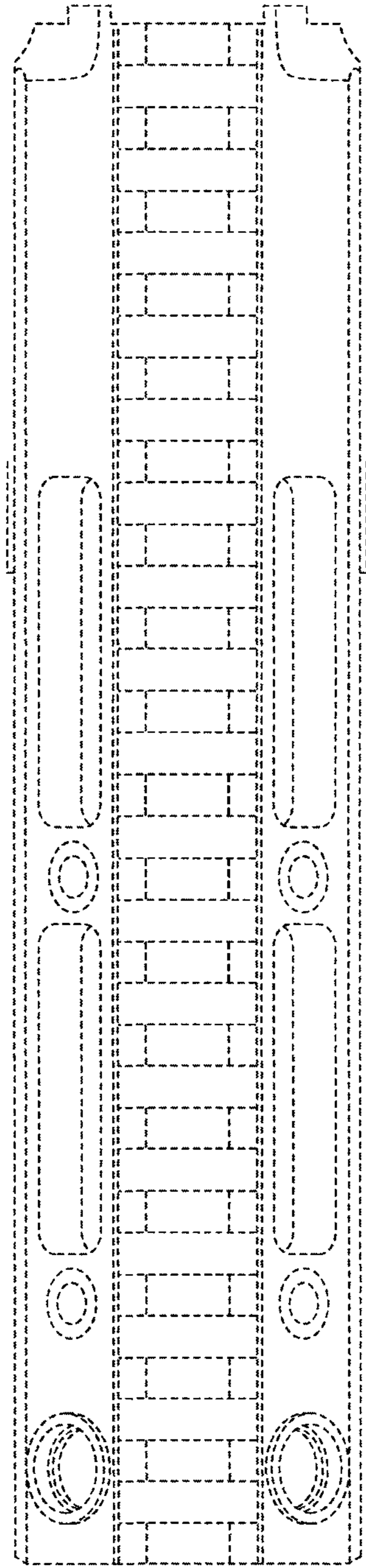


FIG. 4

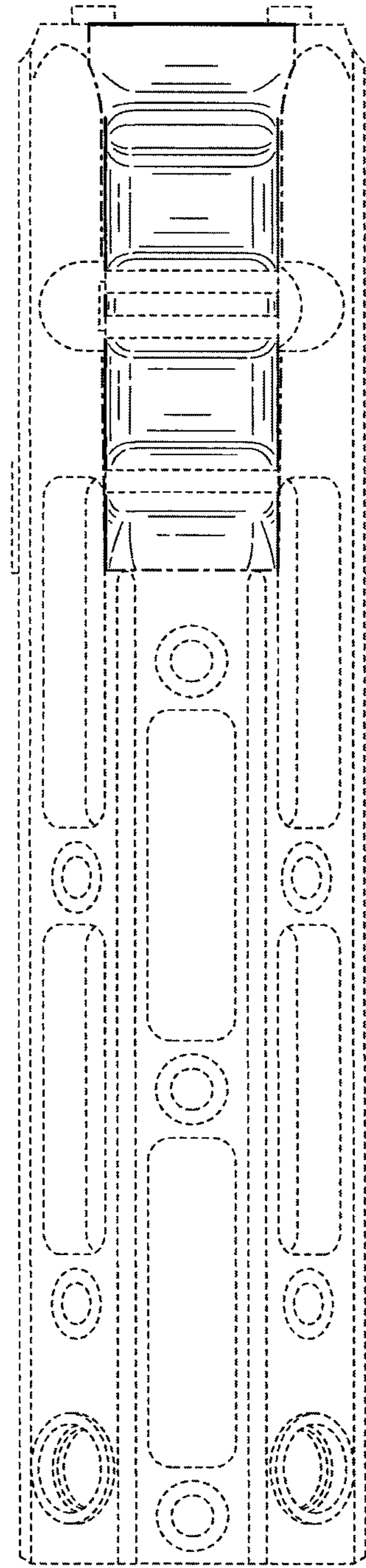


FIG. 5

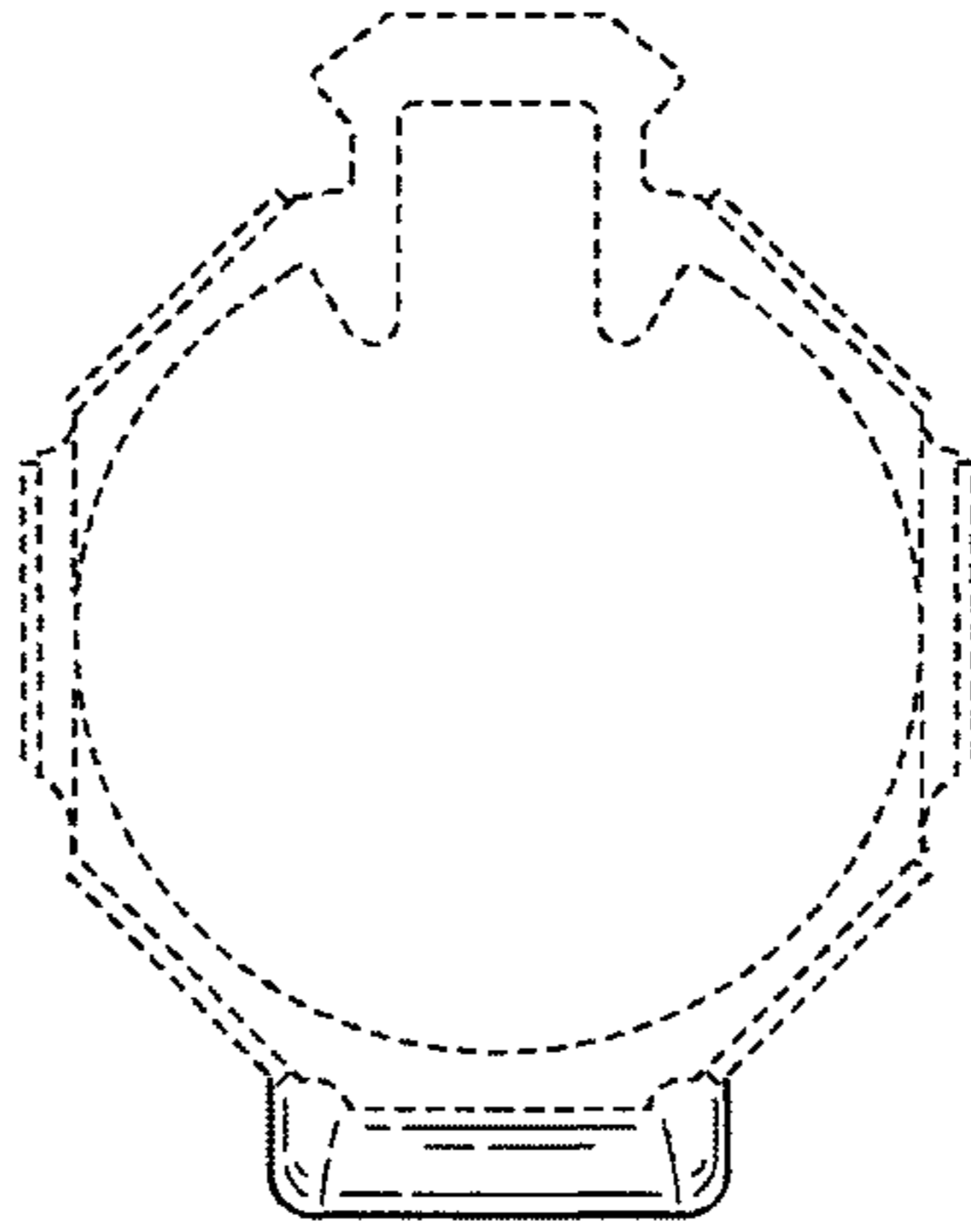


FIG. 6

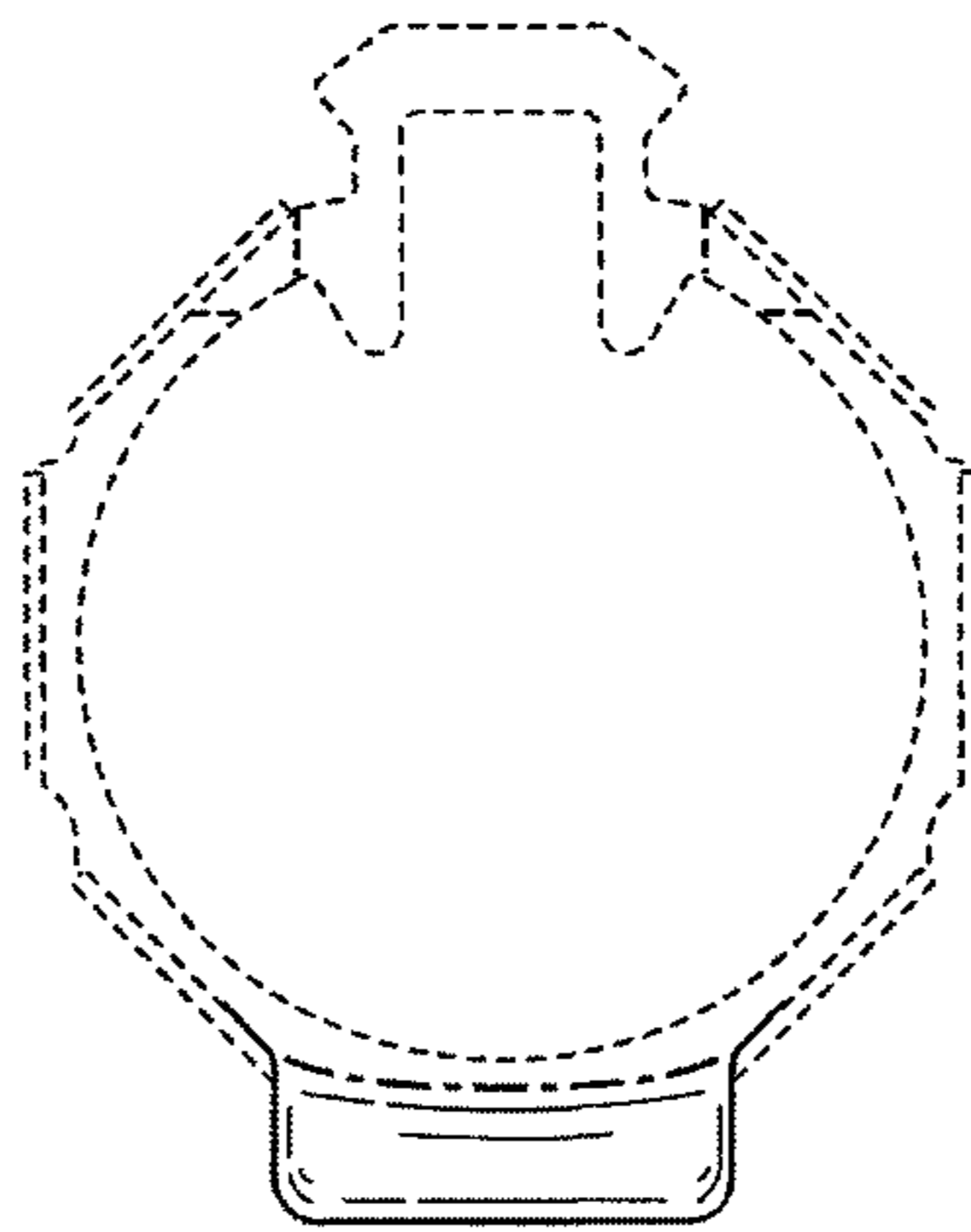


FIG. 7

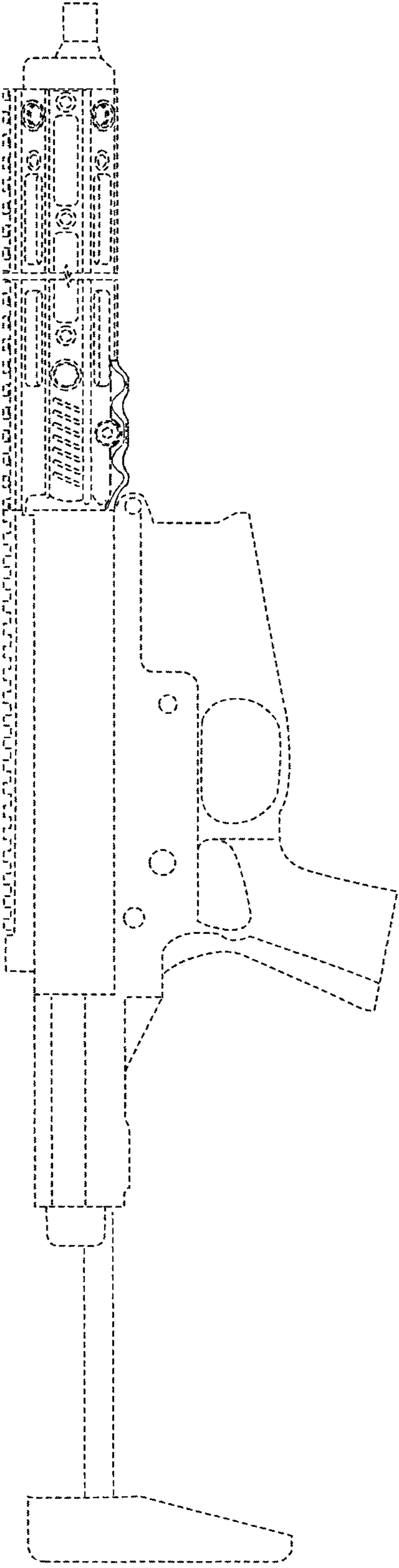


FIG. 8