



US00D741975S

(12) **United States Design Patent**  
**Rademacher et al.**

(10) **Patent No.:** **US D741,975 S**  
(45) **Date of Patent:** **\*\* Oct. 27, 2015**

(54) **INFLATABLE LIFEGUARD TOWER**

(56) **References Cited**

(71) Applicant: **Wibit Sports GmbH**, Bocholt (DE)

U.S. PATENT DOCUMENTS

(72) Inventors: **Romann Rademacher**, Bocholt (DE);  
**Robert Cirjak**, Bocholt (DE)

5,056,453	A	*	10/1991	Wright	.....	114/345
D439,946	S	*	4/2001	Gourchounian	.....	D21/835
6,685,520	B1	*	2/2004	Wiggins	.....	441/40
D515,167	S	*	2/2006	Capwell	.....	D21/835
D596,261	S	*	7/2009	Cirjak et al.	.....	D21/803
7,758,434	B1	*	7/2010	Johnson	.....	472/117
D721,778	S	*	1/2015	Rademacher et al.	.....	D21/803
D722,354	S	*	2/2015	Rademacher et al.	.....	D21/803

(73) Assignee: **Wibit Sports GmbH**, Bocholt (DE)

(\*\*) Term: **14 Years**

\* cited by examiner

(21) Appl. No.: **29/494,411**

*Primary Examiner* — Zenia Bennett

(22) Filed: **Jun. 20, 2014**

(74) *Attorney, Agent, or Firm* — Roberts Mlotkowski Safran & Cole, PC

(30) **Foreign Application Priority Data**

(57) **CLAIM**

The ornamental design for an inflatable lifeguard tower, as shown and described.

Dec. 20, 2013 (DE) ..... 40 2013 101 291  
May 9, 2014 (EM) ..... 002461137

**DESCRIPTION**

(51) **LOC (10) Cl.** ..... **21-02**

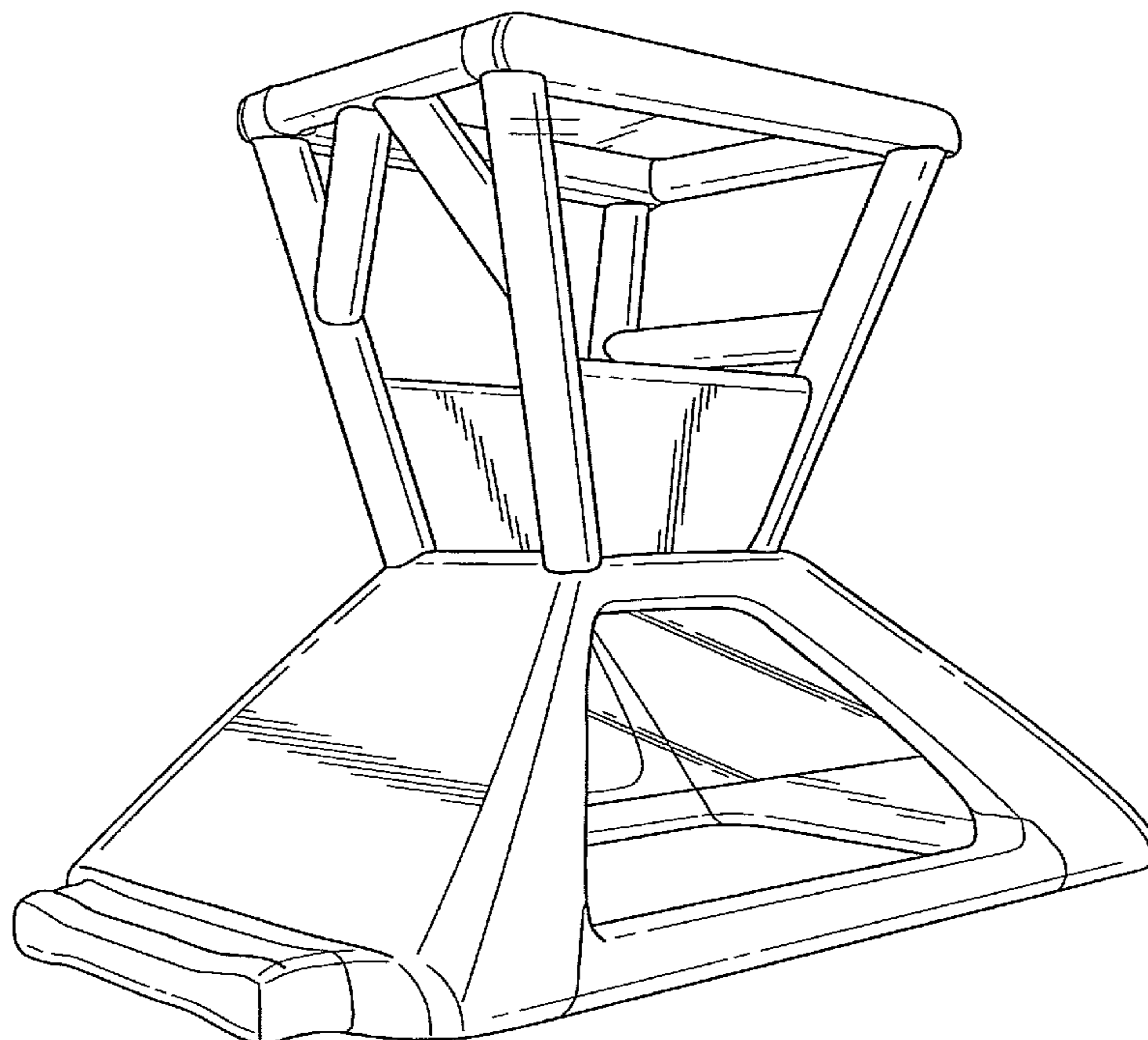
(52) **U.S. Cl.**  
USPC ..... **D21/801**

(58) **Field of Classification Search**  
USPC ..... D21/769–770, 801, 803, 809; 114/253,  
114/345–346; 441/35, 66, 74, 40–42,  
441/129–132; 472/128–129; D12/5, 6, 316;  
D6/392, 595, 596, 601, 604, 605

FIG. 1 is a perspective view of an inflatable lifeguard tower in accordance with the present invention as seen from the front and toward one side;  
FIG. 2 is a perspective view as seen from the rear and toward one side thereof;  
FIG. 3 is a right side elevational view thereof;  
FIG. 4 is a left side elevational view thereof;  
FIG. 5 is a front elevational view thereof;  
FIG. 6 is a rear elevational view thereof;  
FIG. 7 is a bottom plan view thereof; and,  
FIG. 8 is a top plan view thereof.

CPC ..... B63B 35/76  
See application file for complete search history.

**1 Claim, 7 Drawing Sheets**



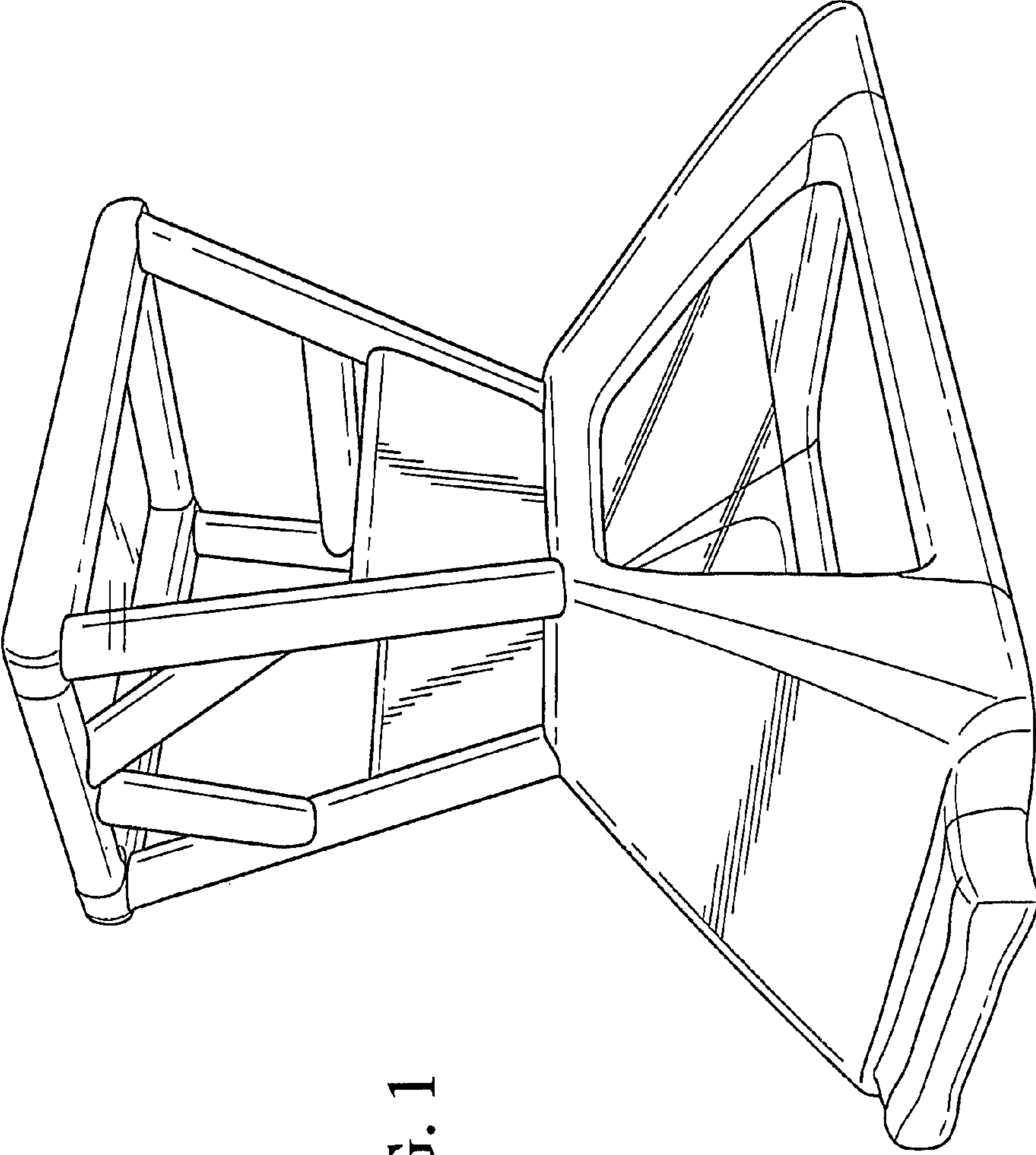
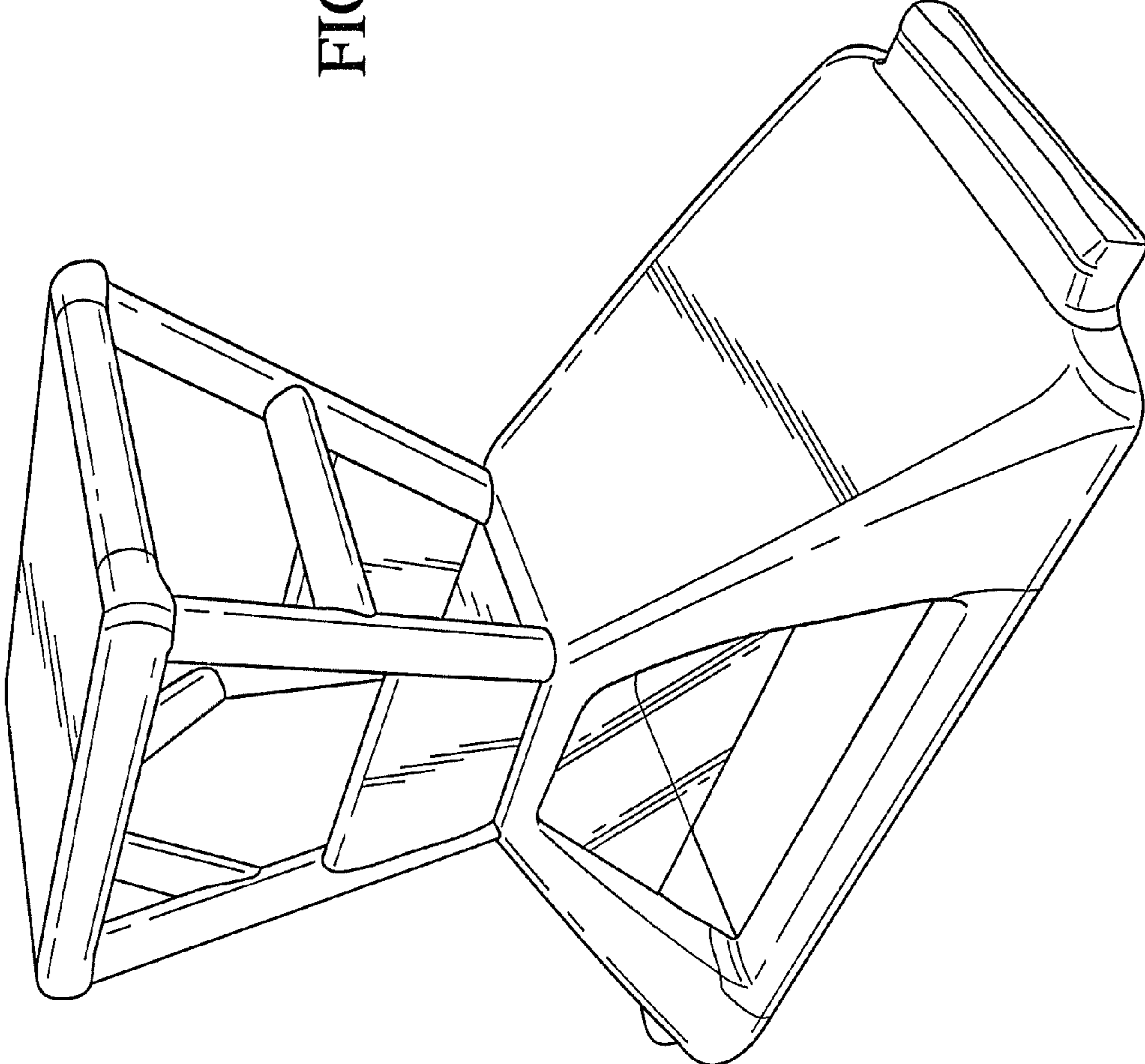


FIG. 1

FIG. 2



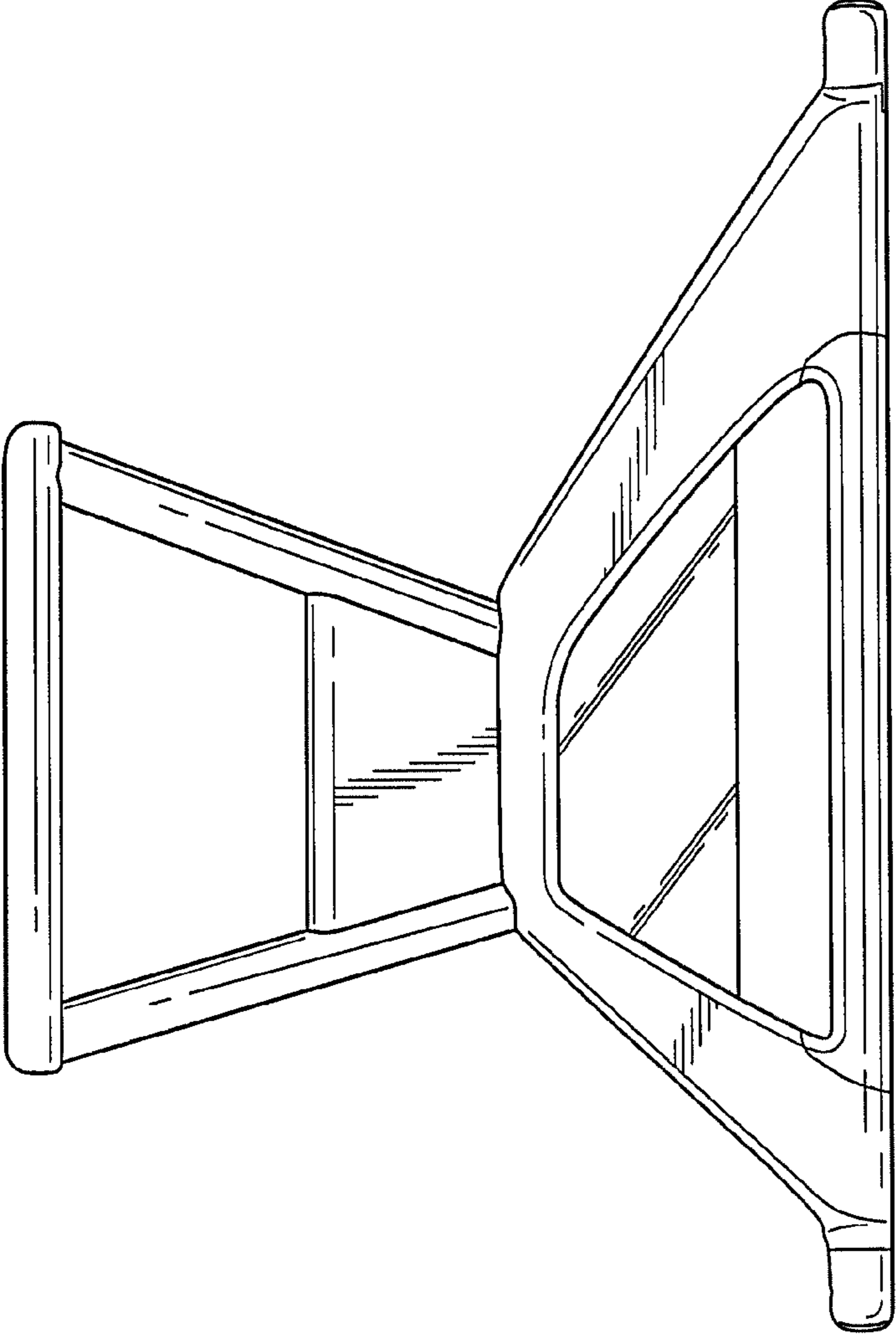


FIG. 3

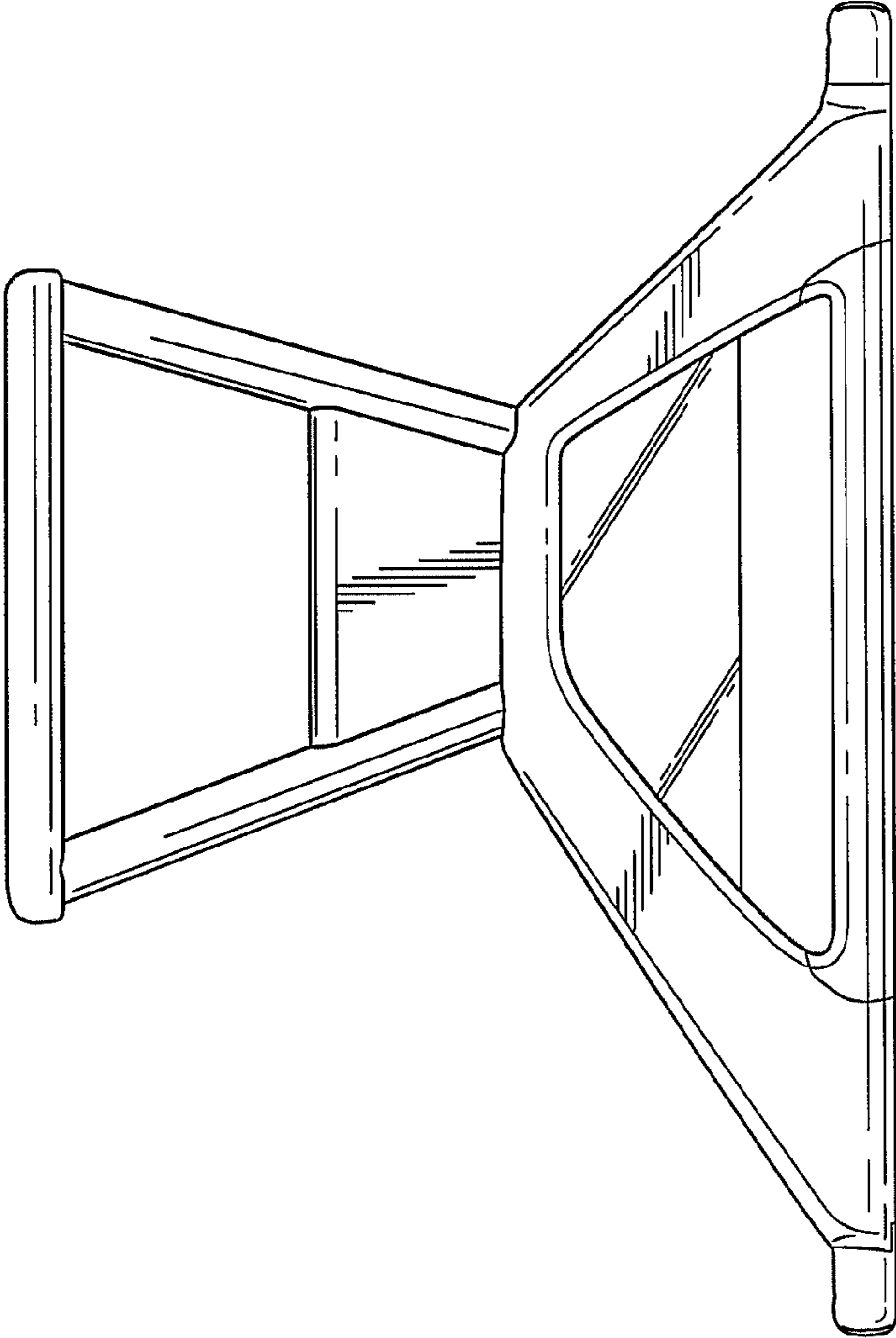


FIG. 4

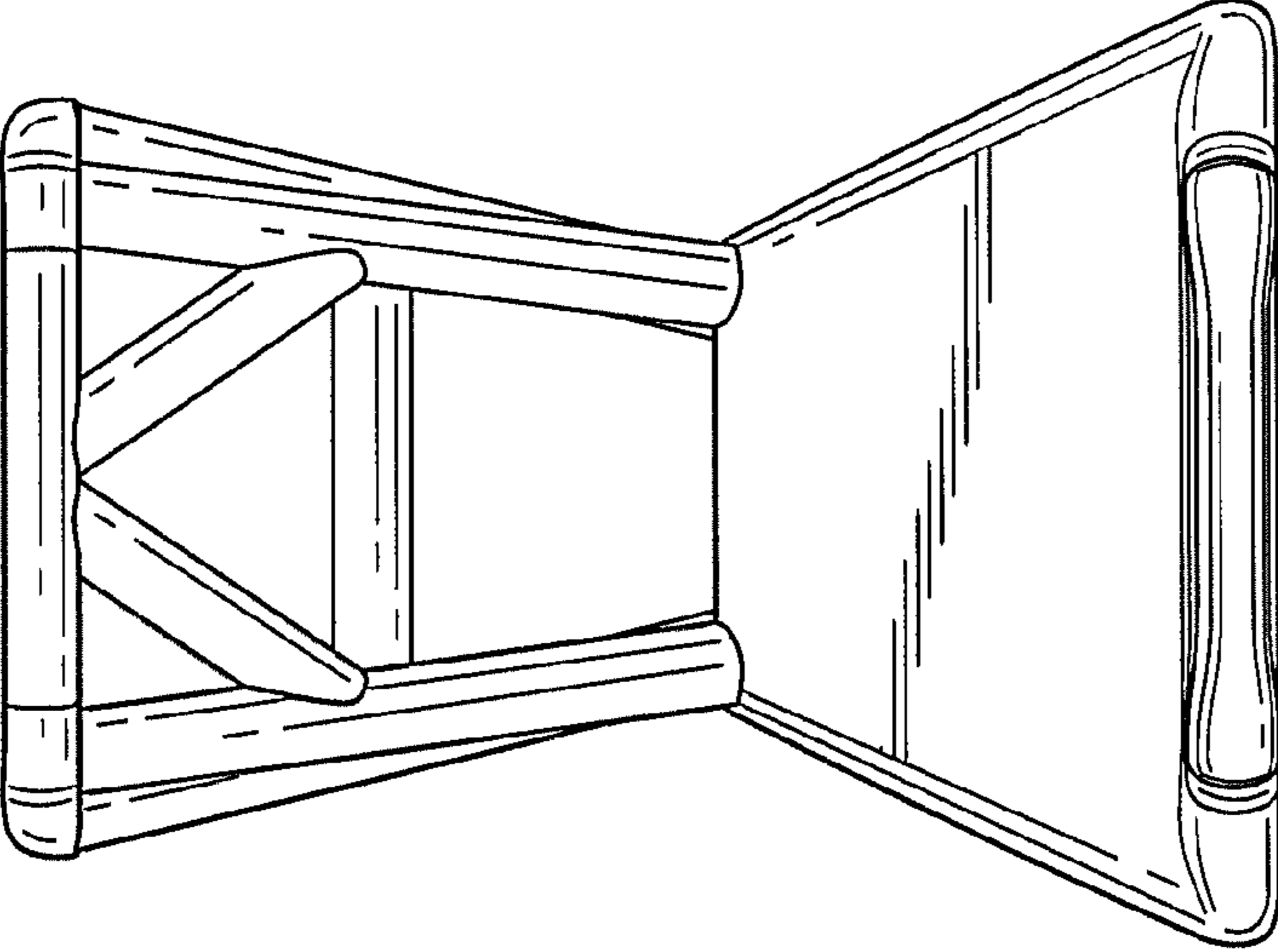


FIG. 6

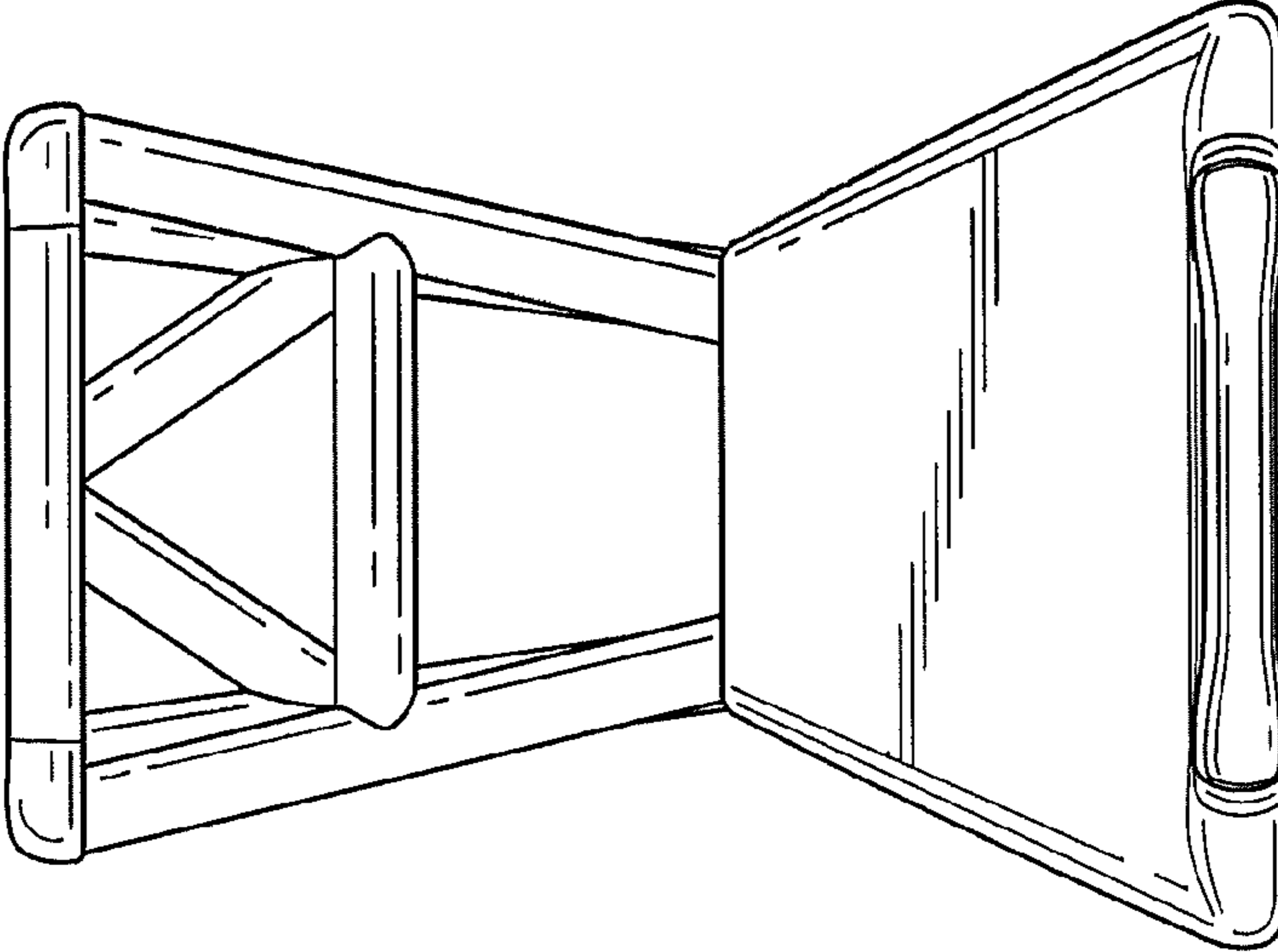


FIG. 5

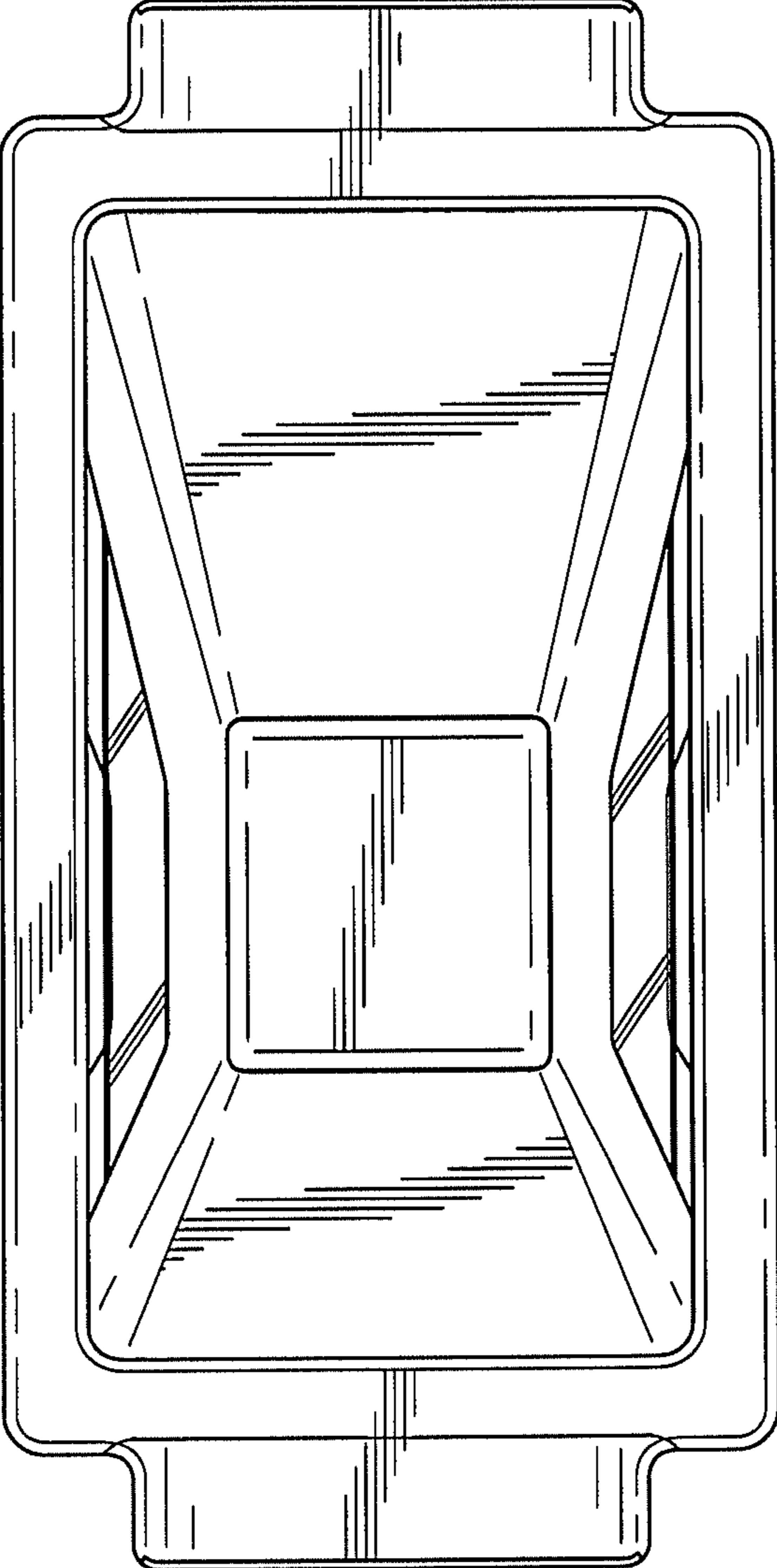


FIG. 7

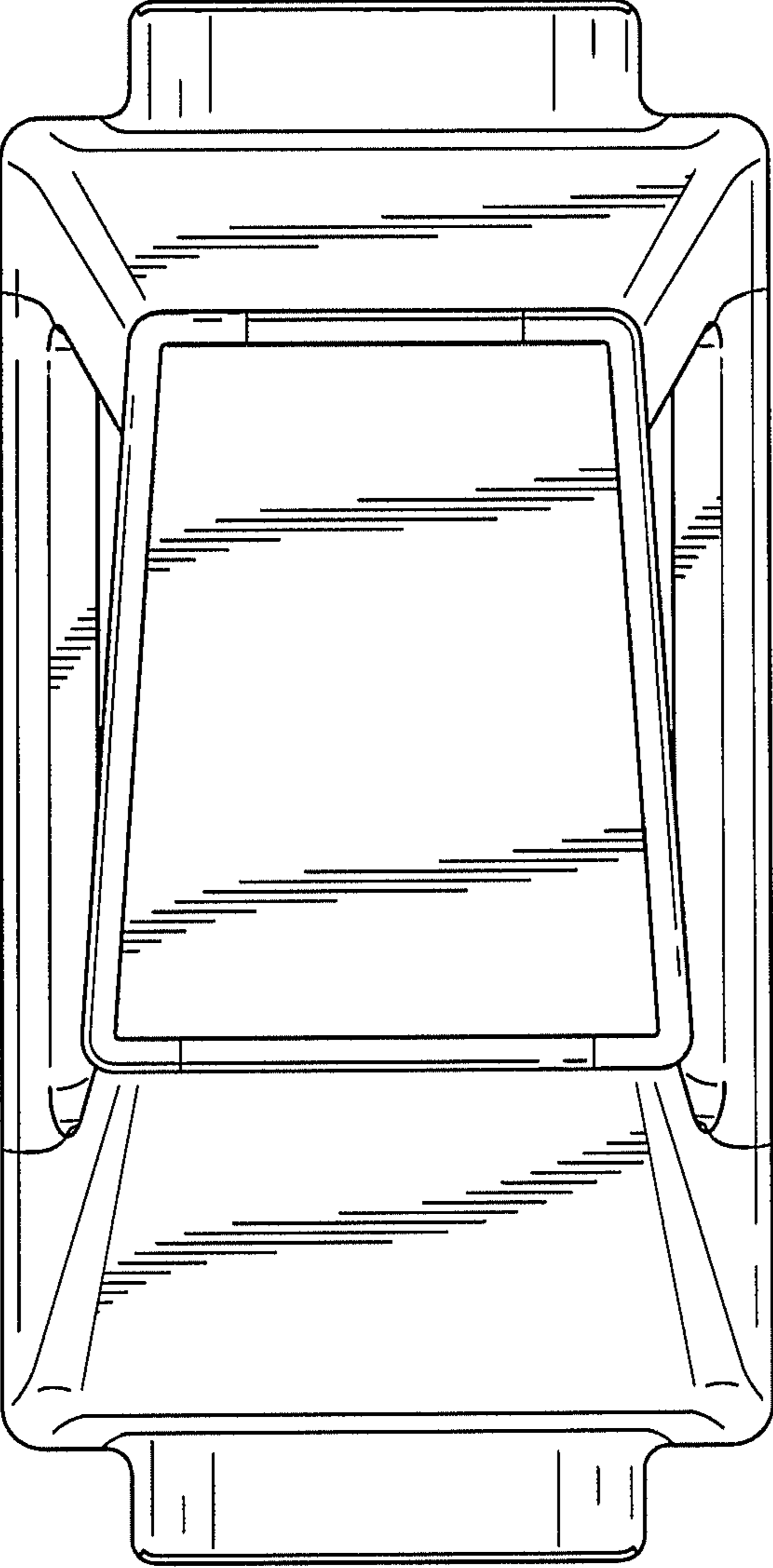


FIG. 8