



US00D741972S

(12) **United States Design Patent**
McDevitt

(10) **Patent No.:** **US D741,972 S**

(45) **Date of Patent:** **** Oct. 27, 2015**

(54) **COMBINED GOLF BALL MARKER AND HOLDER**

(71) Applicant: **David McDevitt**, Carrollton, TX (US)

(72) Inventor: **David McDevitt**, Carrollton, TX (US)

(**) Term: **14 Years**

(21) Appl. No.: **29/508,165**

(22) Filed: **Nov. 4, 2014**

(51) **LOC (10) Cl.** **21-02**

(52) **U.S. Cl.**
USPC **D21/794**

(58) **Field of Classification Search**
USPC D21/789, 793-794
CPC A63B 57/0075
See application file for complete search history.

(56) **References Cited**

U.S. PATENT DOCUMENTS

| | | | | |
|----------------|---------|----------------|-------|---------|
| D365,133 S * | 12/1995 | Belmont | | D21/794 |
| D409,705 S * | 5/1999 | Fazekas | | D21/793 |
| D442,249 S * | 5/2001 | Fazekas | | D21/793 |
| 6,422,955 B1 * | 7/2002 | Lopez | | 473/406 |
| D504,932 S * | 5/2005 | Louttit | | D21/793 |
| 6,966,851 B1 * | 11/2005 | England et al. | | 473/406 |
| D540,902 S * | 4/2007 | Regalado | | D21/794 |
| D588,670 S * | 3/2009 | Walz | | D21/794 |
| D606,149 S * | 12/2009 | Regalado | | D21/793 |

| | | | | |
|----------------|---------|-----------------|-------|---------|
| D624,142 S * | 9/2010 | Weber | | D21/794 |
| D662,165 S * | 6/2012 | Kragerud | | D21/794 |
| 8,388,469 B1 * | 3/2013 | Hawthorn et al. | | 473/406 |
| D689,973 S * | 9/2013 | Smith | | D21/794 |
| 8,544,705 B2 * | 10/2013 | Su | | 224/163 |
| D710,473 S * | 8/2014 | Kragerud | | D21/794 |

* cited by examiner

Primary Examiner — Mitchell Siegel

(74) *Attorney, Agent, or Firm* — Sul Lee PLLC

(57) **CLAIM**

The ornamental design for a combined golf ball marker and holder, as shown and described.

DESCRIPTION

FIG. 1 is a front perspective view of a combined golf ball marker and holder showing my new design.

FIG. 2 is a back view thereof;

FIG. 3 is a top plan view thereof;

FIG. 4 is a cross sectional view taken on line 4-4 of FIG. 3;

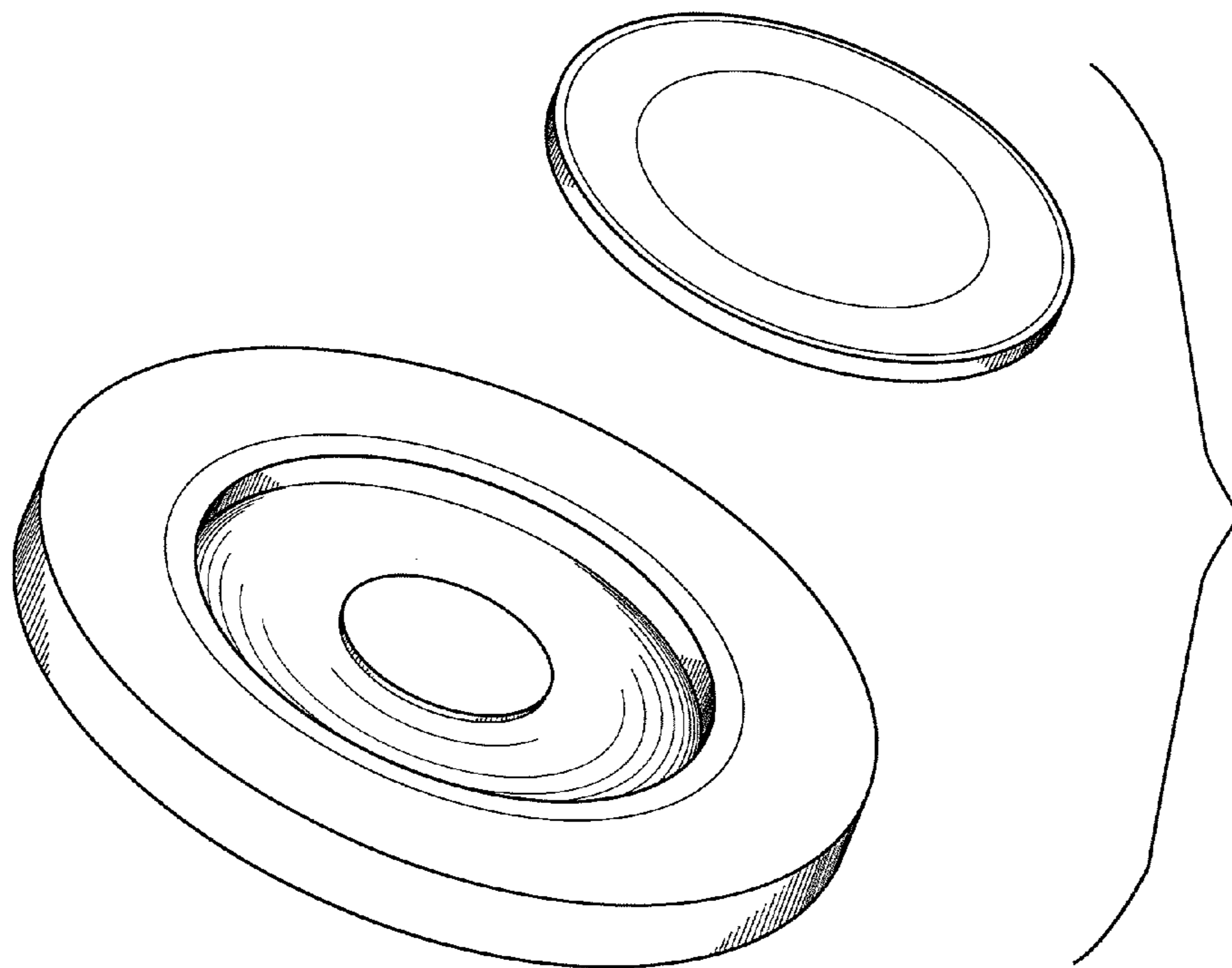
FIG. 5 is an exploded view thereof;

FIG. 6 is a perspective view of the golf ball holder, shown with the marker removed for clarity; and,

FIG. 7 is a perspective view wherein the marker is in an alternate position.

The ornamental design for a combined golf ball marker and holder which used to mark the position of a golf ball when the ball is landed on green.

1 Claim, 7 Drawing Sheets



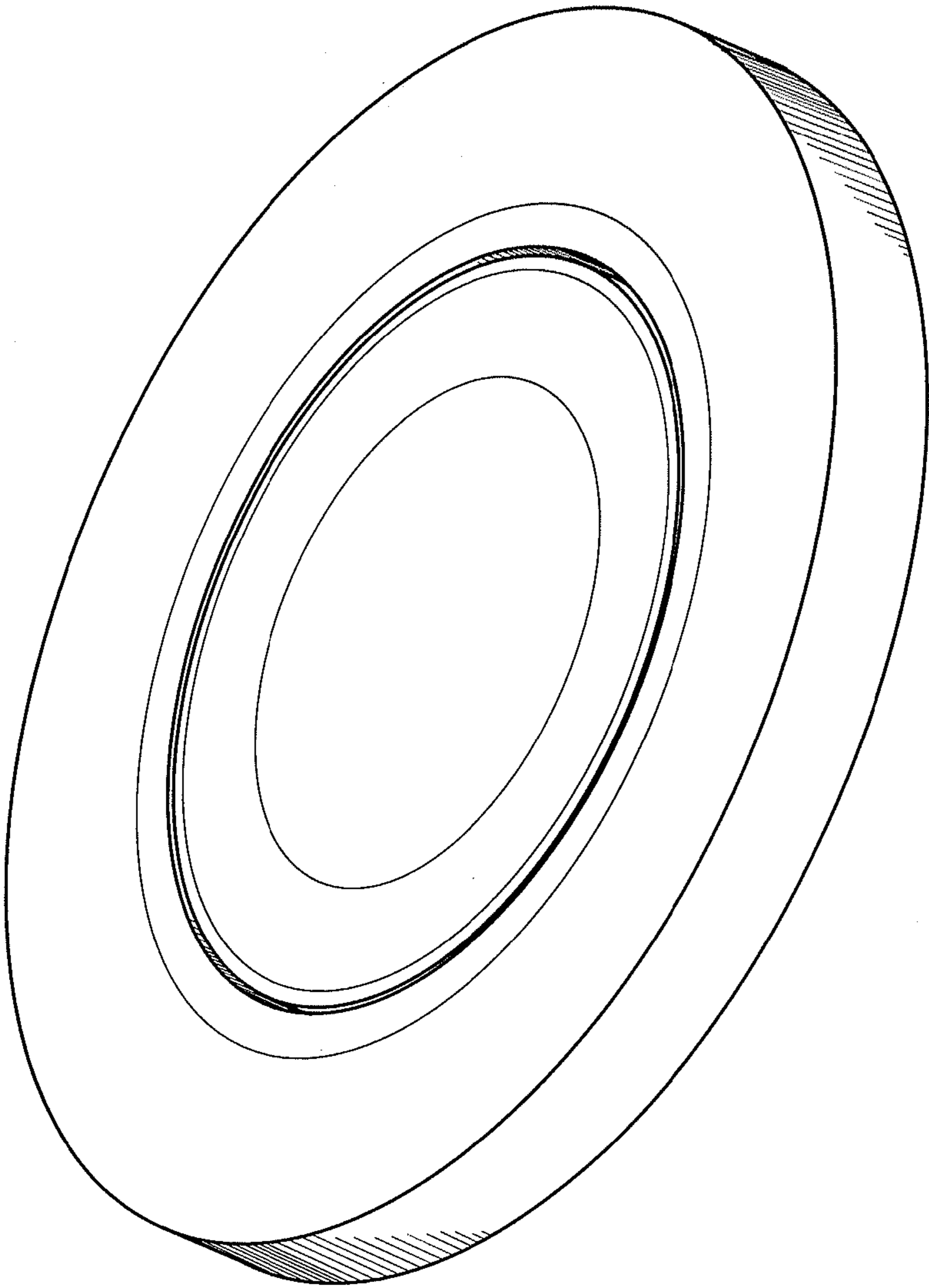


FIG. 1

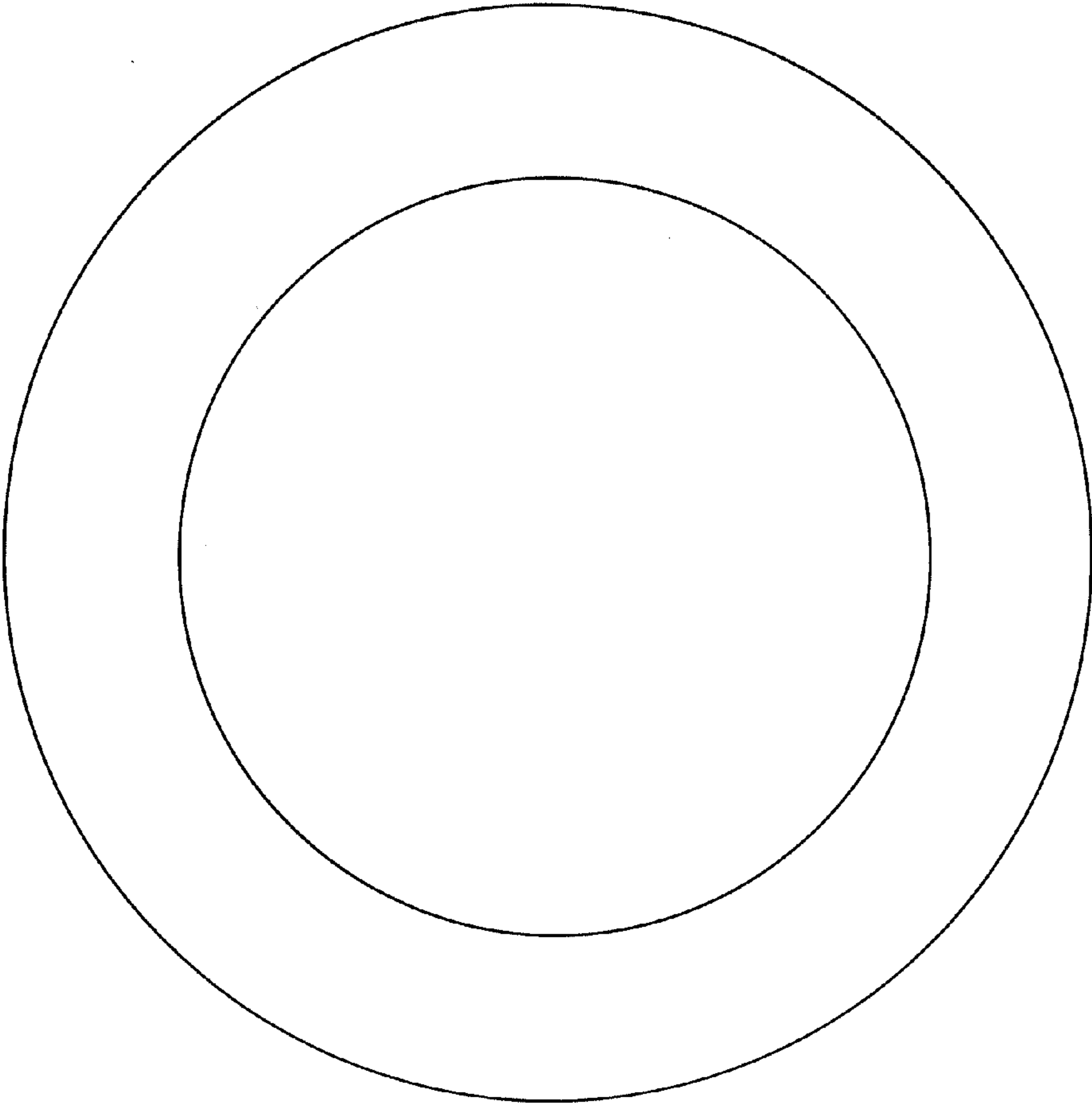


FIG. 2

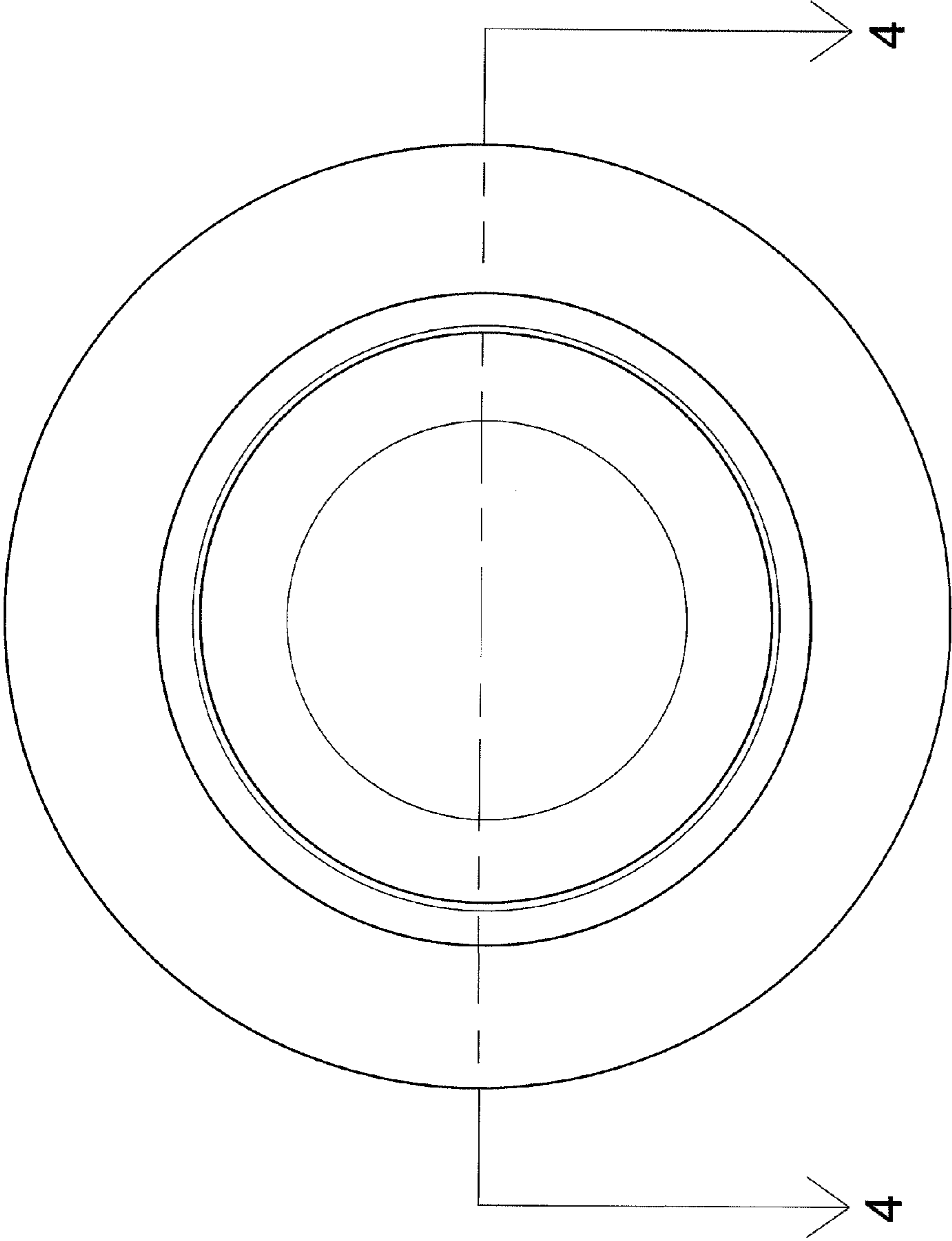


FIG. 3

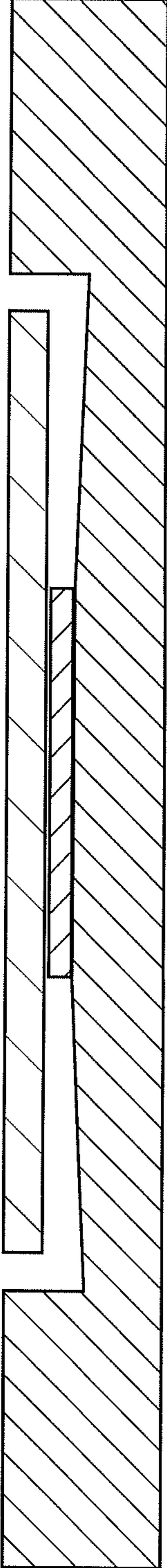


FIG. 4

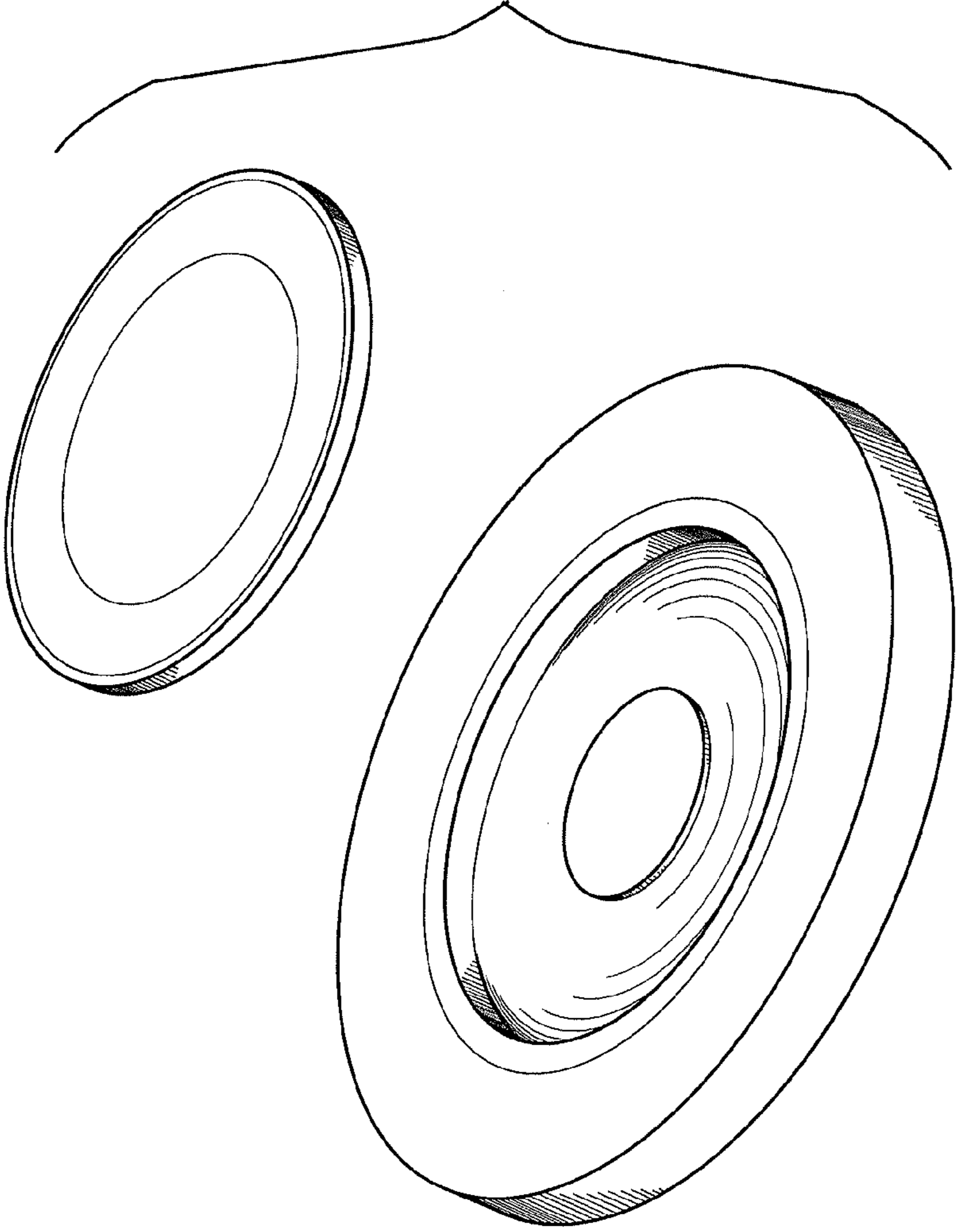


FIG. 5

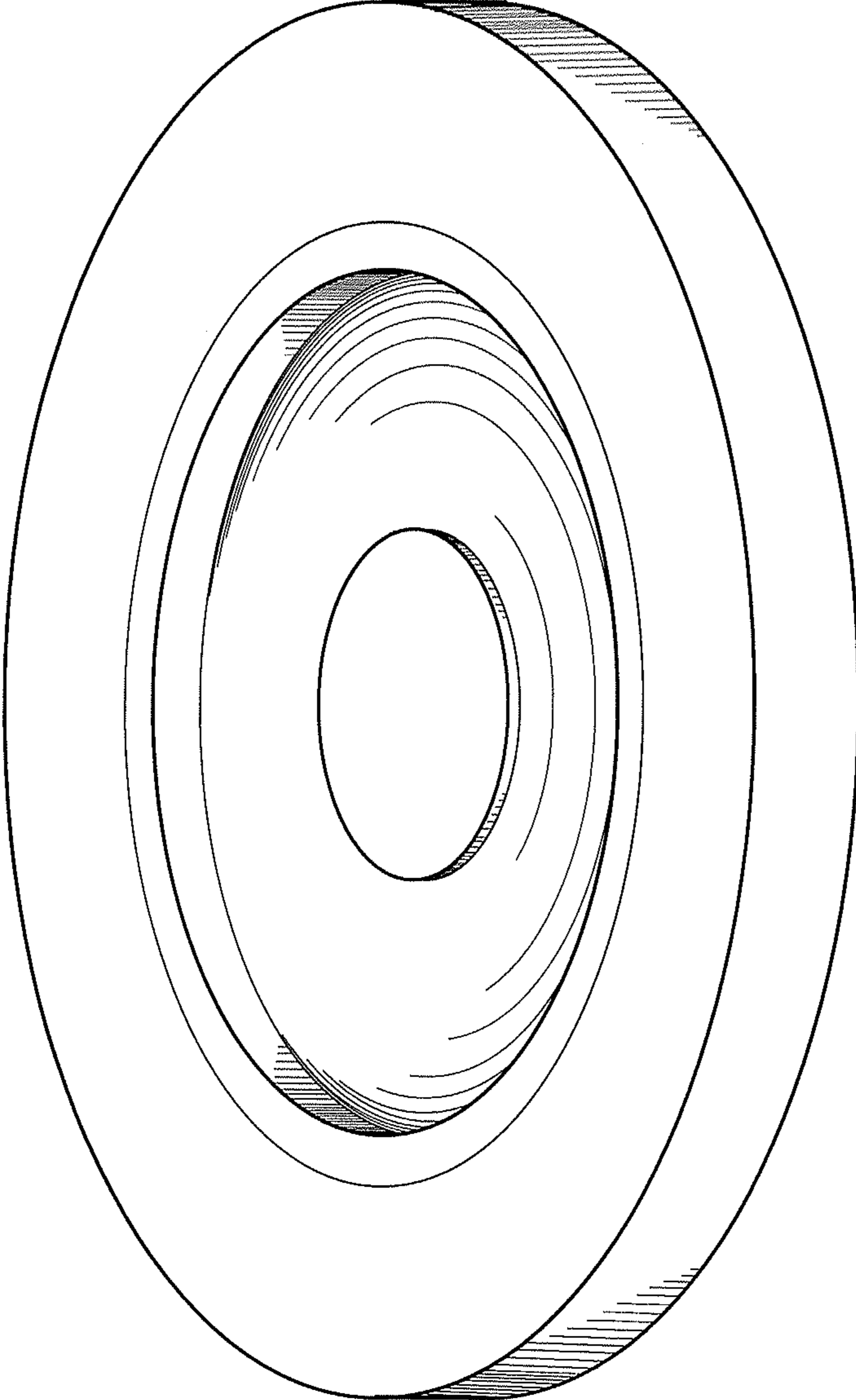


FIG. 6

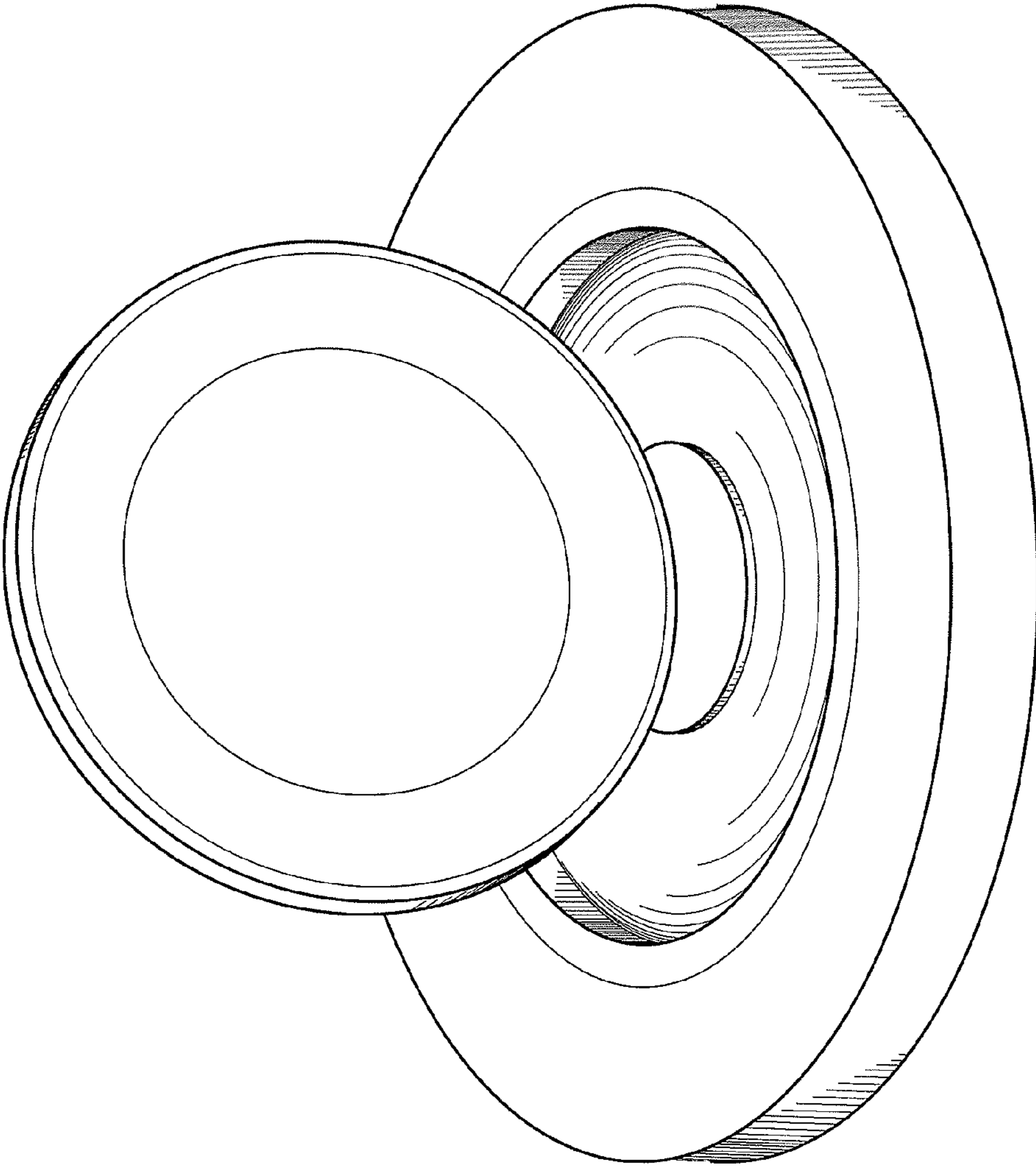


FIG. 7