



US00D741969S

(12) **United States Design Patent**
Green

(10) **Patent No.:** **US D741,969 S**

(45) **Date of Patent:** **** Oct. 27, 2015**

(54) **ROLLER SKATE**

(71) Applicant: **CARDIFF SPORT TECHNOLOGIES, LLC**, Cardiff, CA (US)

(72) Inventor: **Brian Green**, Cardiff, CA (US)

(73) Assignee: **Cardiff Sport Technologies, LLC**, Cardiff, CA (US)

(**) Term: **14 Years**

(21) Appl. No.: **29/482,366**

(22) Filed: **Feb. 18, 2014**

(51) **LOC (10) Cl.** **21-02**

(52) **U.S. Cl.**
USPC **D21/763**

(58) **Field of Classification Search**
USPC D21/760, 763-765, 771; D2/902, 904;
280/7.14, 11.115, 11.19, 11.2, 11.22,
280/11.23, 11.26, 11.27, 11.28, 14.21,
280/87.01, 87.021, 87.03, 87.041, 87.042,
280/809

See application file for complete search history.

(56) **References Cited**

U.S. PATENT DOCUMENTS

4,817,974 A * 4/1989 Bergeron 280/11.209
4,966,377 A * 10/1990 Yu 280/11.209
D337,365 S * 7/1993 Gertler D21/764

D493,858 S * 8/2004 Green et al. D21/763
7,121,561 B2 * 10/2006 Green et al. 280/11.19
D654,975 S * 2/2012 Carrillo Lostao D21/763
2010/0127466 A1 * 5/2010 Green et al. 280/11.19
2011/0115174 A1 * 5/2011 Green et al. 280/11.215
2011/0193303 A1 * 8/2011 Green 280/11.26
2013/0020773 A1 * 1/2013 Green 280/11.214

* cited by examiner

Primary Examiner — Cynthia M Chin

(74) *Attorney, Agent, or Firm* — Sheppard Mullin Richter & Hampton LLP

(57) **CLAIM**

The ornamental design for a roller skate, as shown and described.

DESCRIPTION

FIG. 1 is a top, right perspective view of the roller skate of my design;

FIG. 2 is a front elevation view thereof;

FIG. 3 is a rear elevation view thereof;

FIG. 4 is a right elevation view thereof;

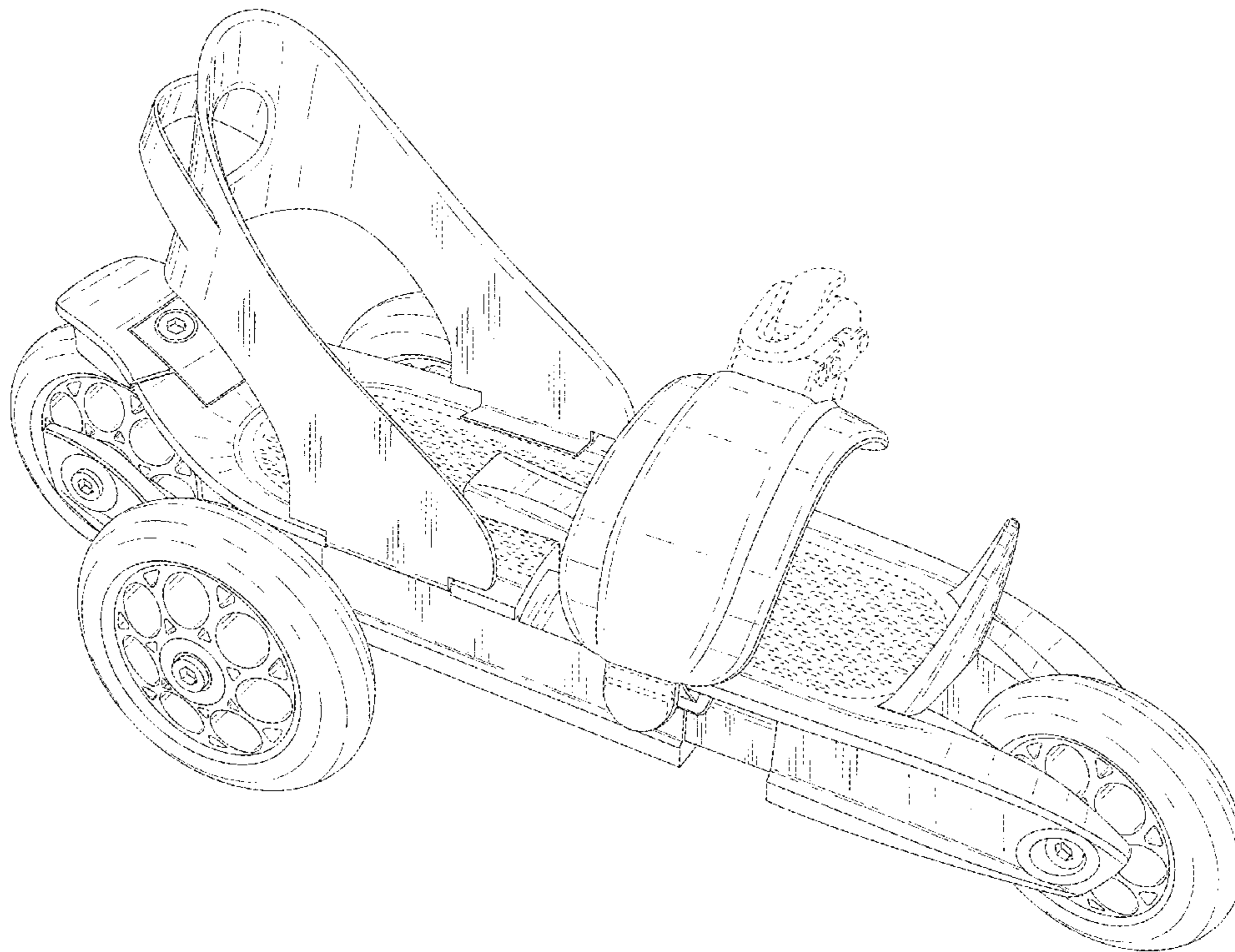
FIG. 5 is a left elevation view thereof;

FIG. 6 is a top plan view thereof; and,

FIG. 7 is a bottom plan view thereof.

The broken lines shown represent unclaimed subject matter and form no part of the claimed design. Specifically, the buckle and teeth shown in FIGS. 1-7 are for illustrative purposes and form no part of the claimed design.

1 Claim, 6 Drawing Sheets



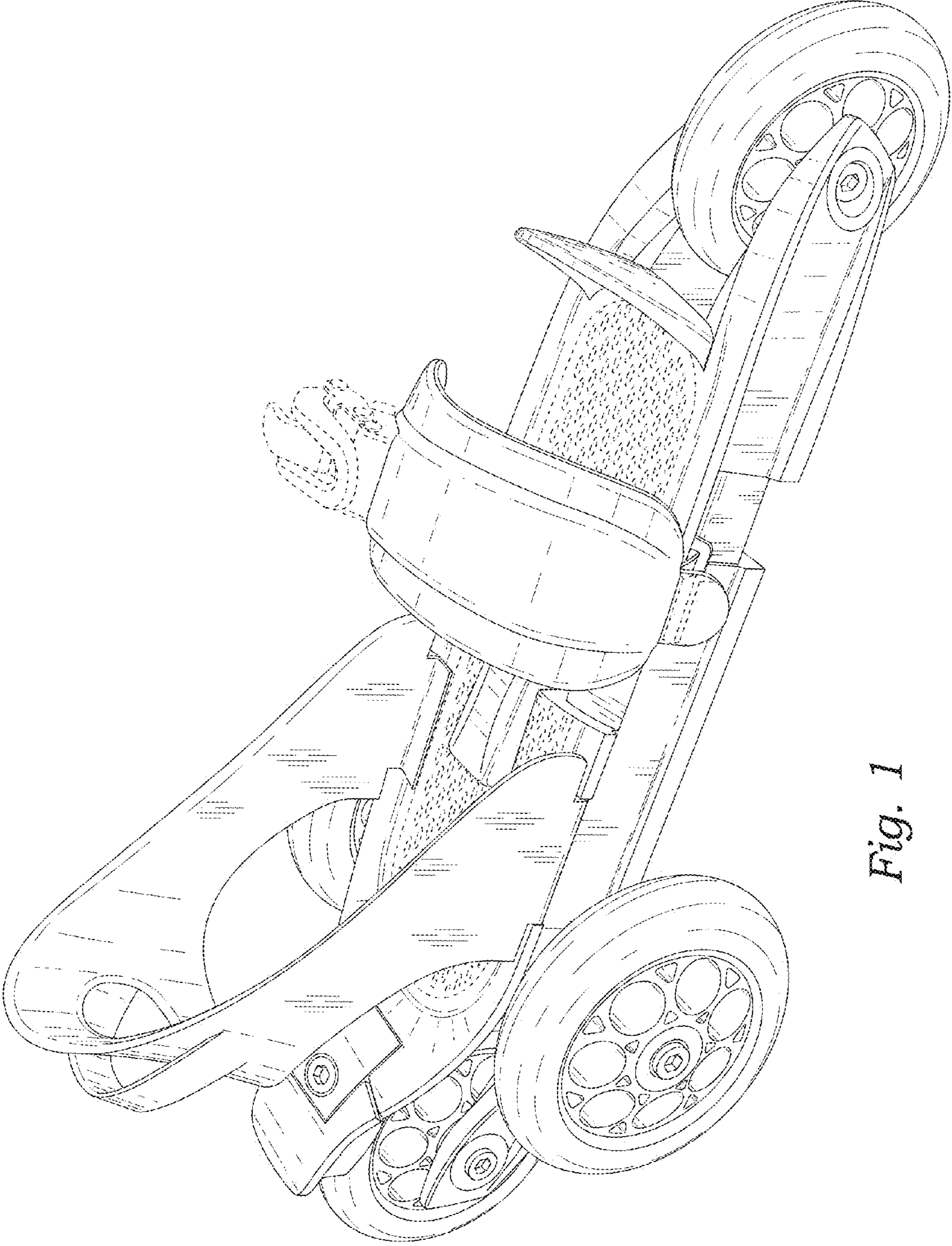


Fig. 1

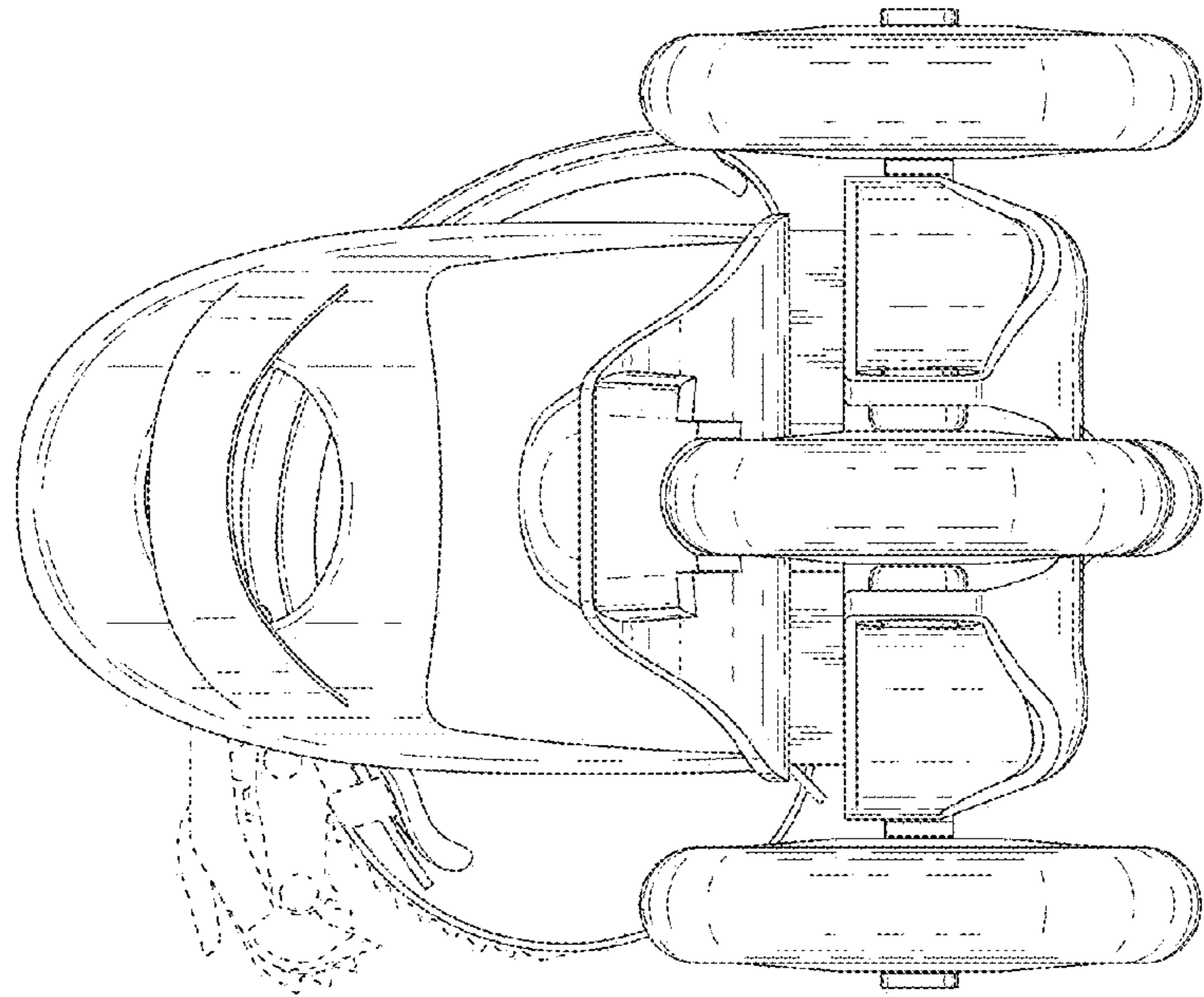


Fig. 3

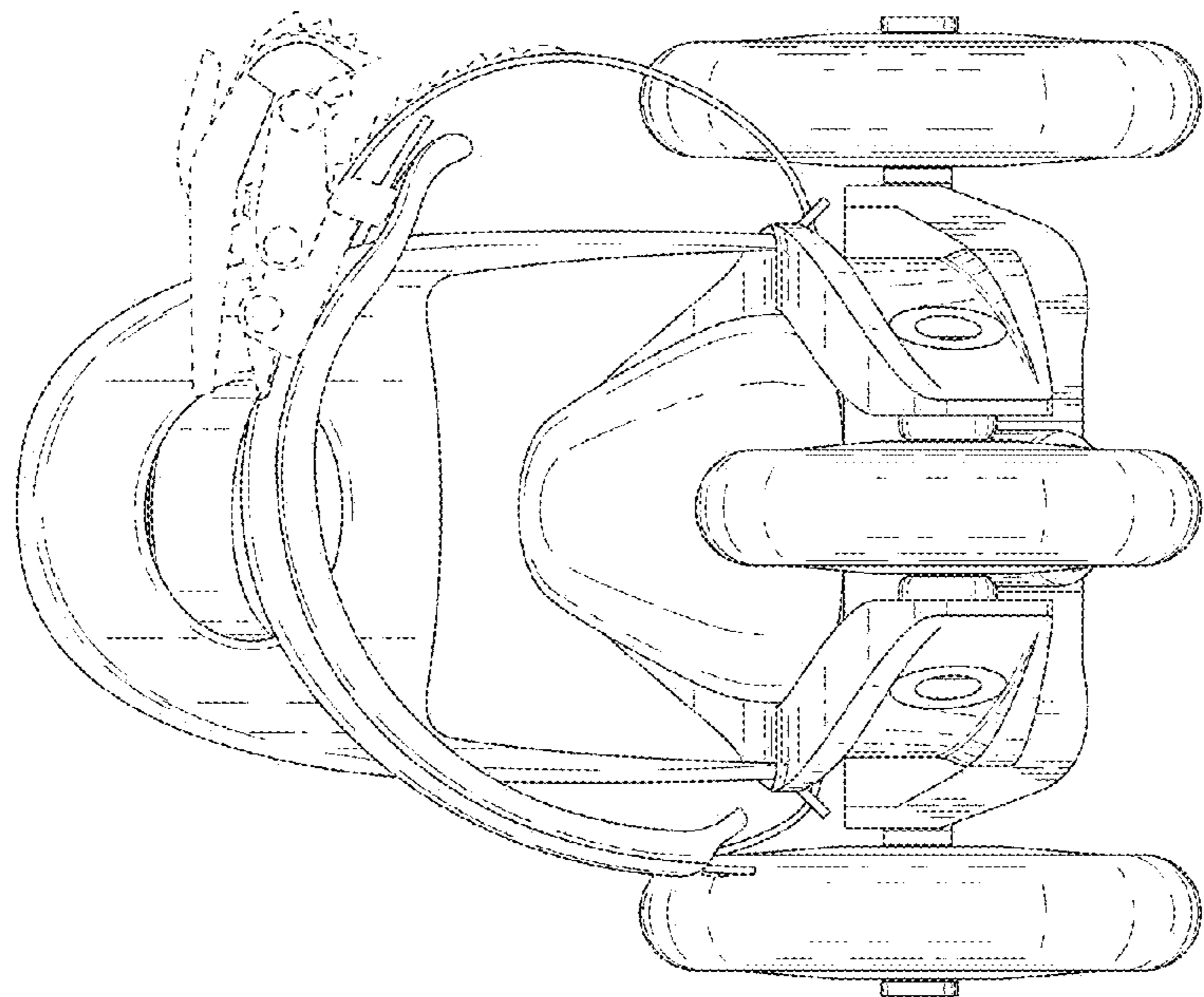


Fig. 2

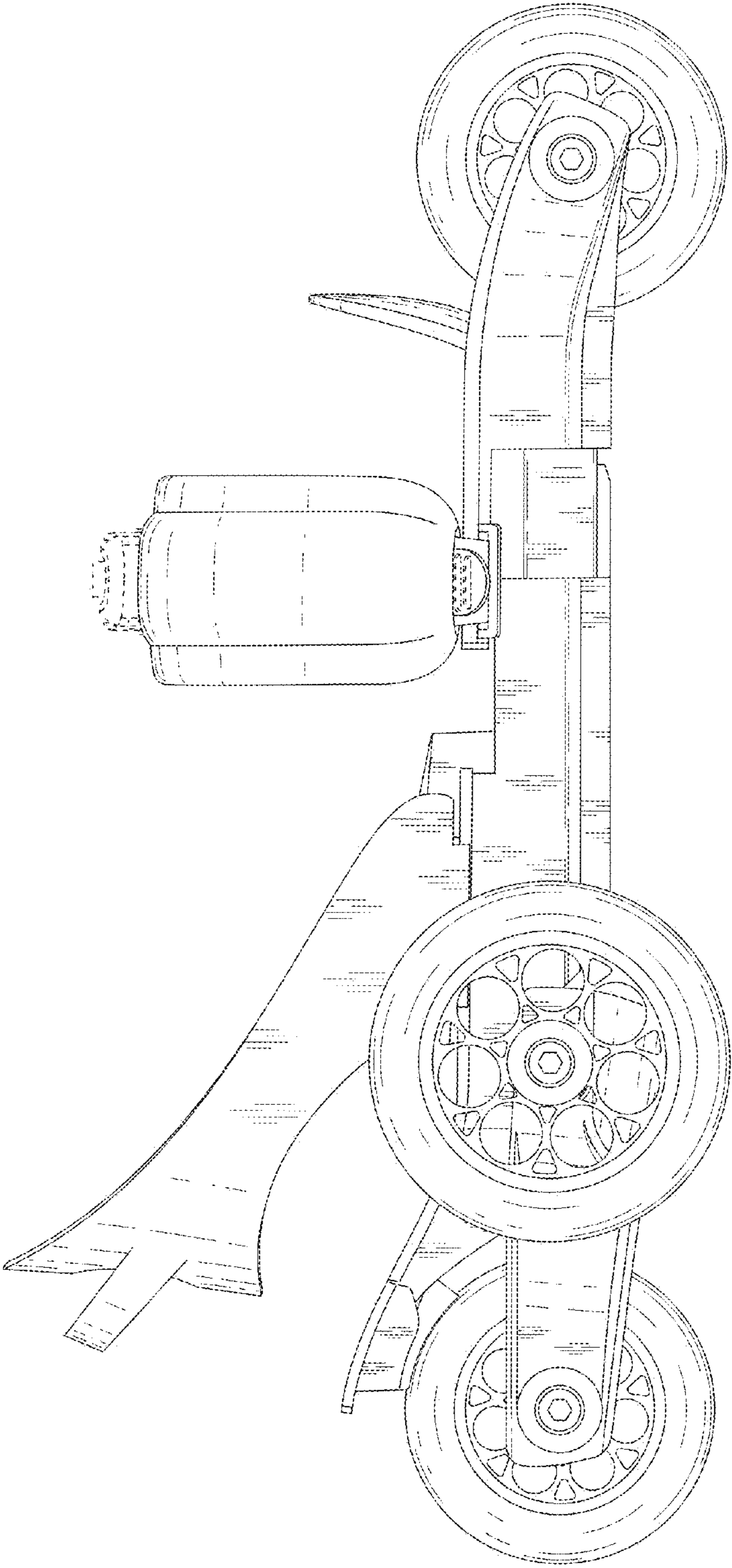


Fig. 4

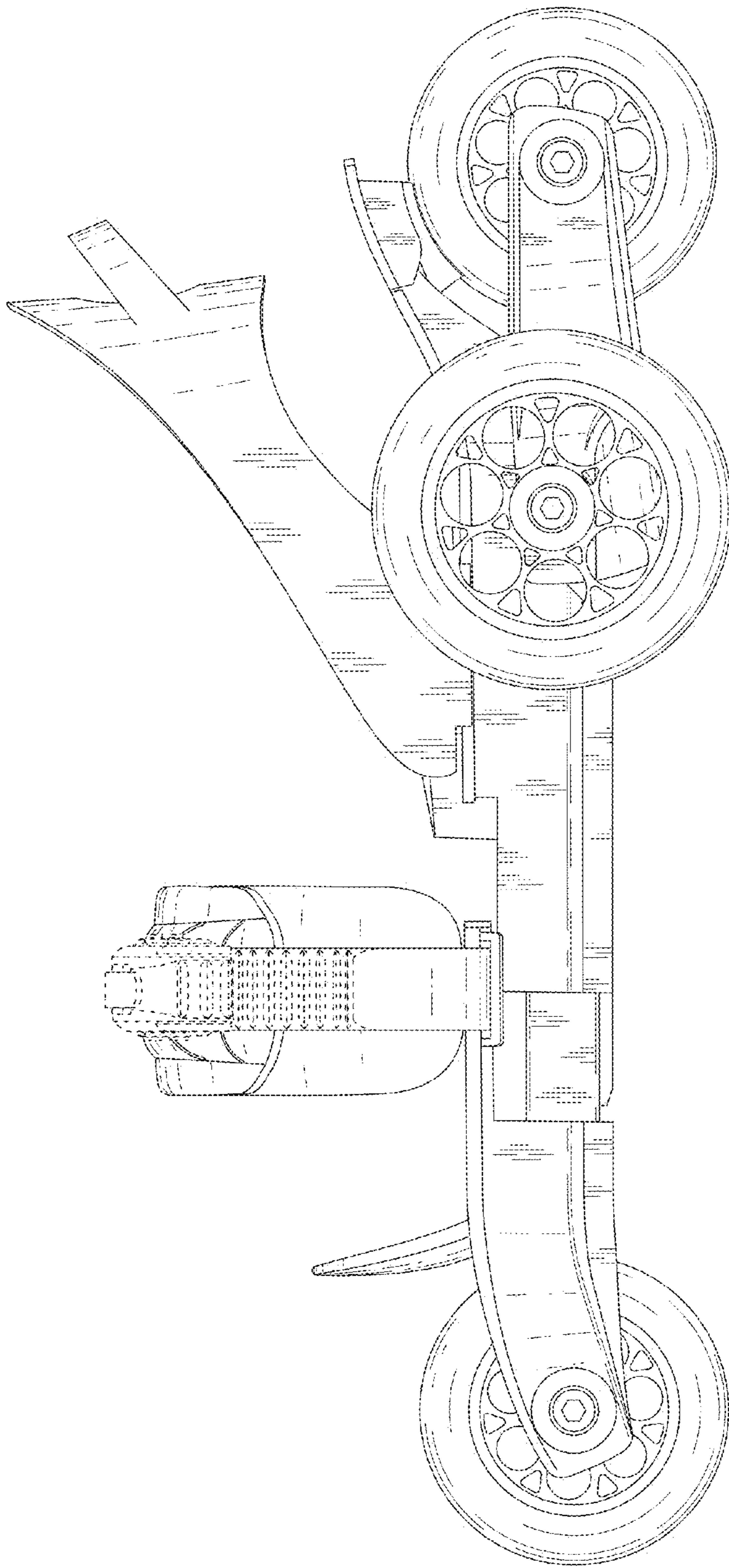


Fig. 5

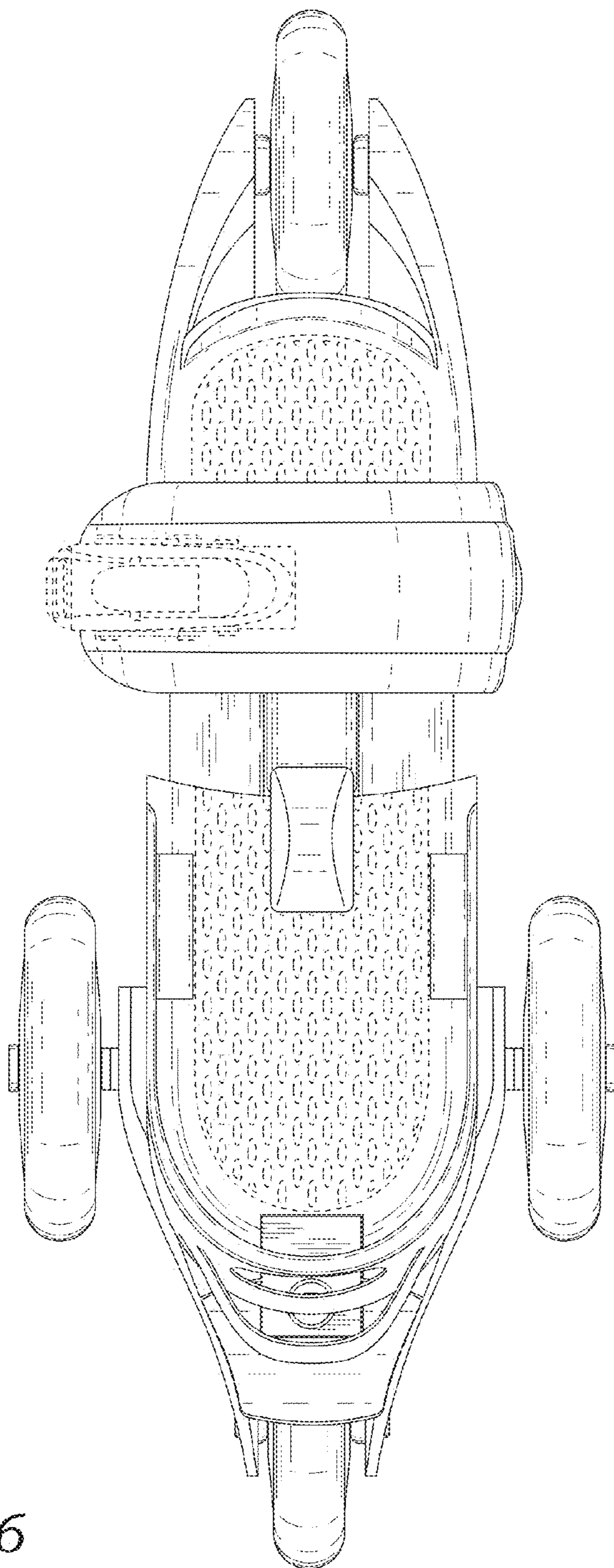


Fig. 6

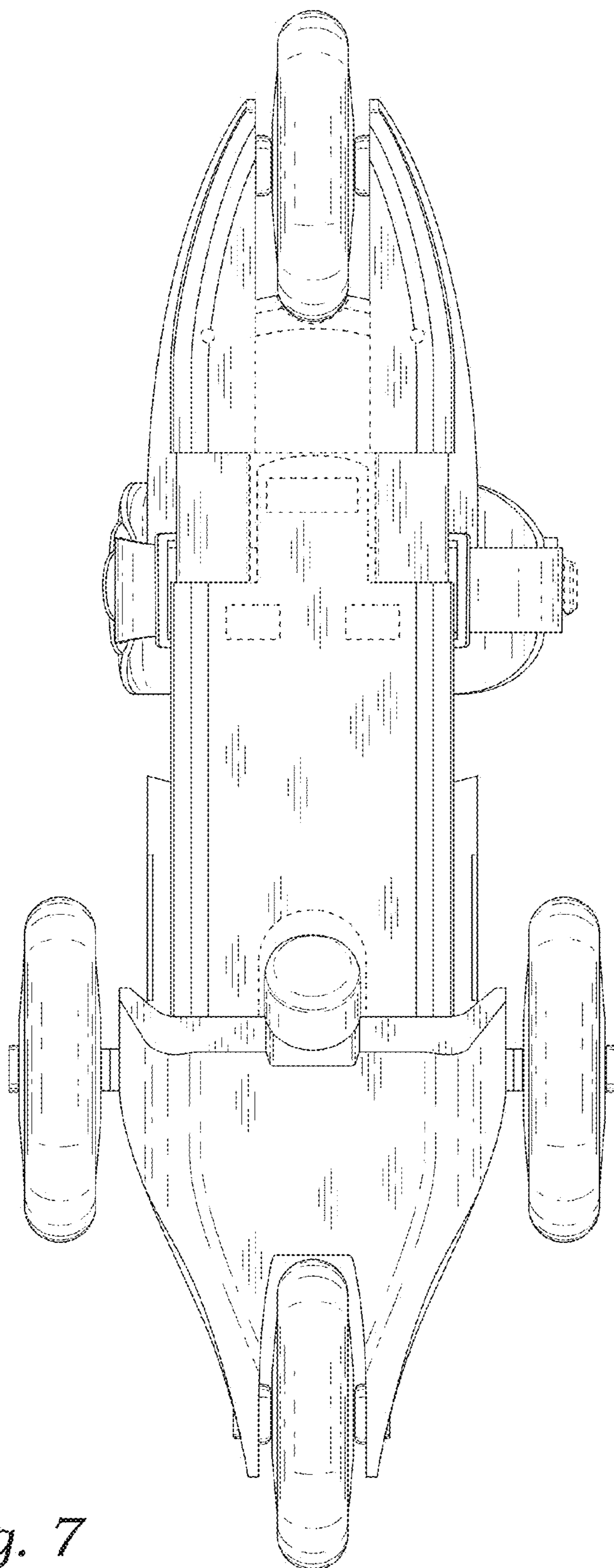


Fig. 7