



US00D741968S

(12) **United States Design Patent**  
**Broom**

(10) **Patent No.:** **US D741,968 S**

(45) **Date of Patent:** **\*\* Oct. 27, 2015**

(54) **PUTTER**

(71) Applicant: **Richard P Broom**, Bainbridge, WA  
(US)

(72) Inventor: **Richard P Broom**, Bainbridge, WA  
(US)

(\*\*) Term: **14 Years**

(21) Appl. No.: **29/504,309**

(22) Filed: **Oct. 3, 2014**

(51) **LOC (10) Cl.** ..... **21-02**

(52) **U.S. Cl.**  
USPC ..... **D21/743**

(58) **Field of Classification Search**  
USPC ..... D21/736-746  
CPC ... A63B 53/065; A63B 53/0487; A63B 53/00  
See application file for complete search history.

(56) **References Cited**

**U.S. PATENT DOCUMENTS**

D280,004 S \* 8/1985 Worster et al. .... D21/744  
5,961,400 A 10/1999 Broom  
D417,710 S \* 12/1999 Broom ..... D21/736

D432,608 S \* 10/2000 Broom ..... D21/744  
D438,923 S \* 3/2001 Broom ..... D21/744  
D556,277 S \* 11/2007 Broom ..... D21/743  
D631,925 S \* 2/2011 Broom ..... D21/743  
D684,643 S \* 6/2013 Kim ..... D21/744

\* cited by examiner

*Primary Examiner* — Mitchell Siegel

(74) *Attorney, Agent, or Firm* — Lowe Graham Jones PLLC

(57) **CLAIM**

The ornamental design for a putter, as shown and described.

**DESCRIPTION**

FIG. 1 is a isometric perspective view of a putter showing my new design.

FIG. 2 is a top plan view thereof.

FIG. 3 is a bottom plan view thereof.

FIG. 4 is a left side elevational view thereof.

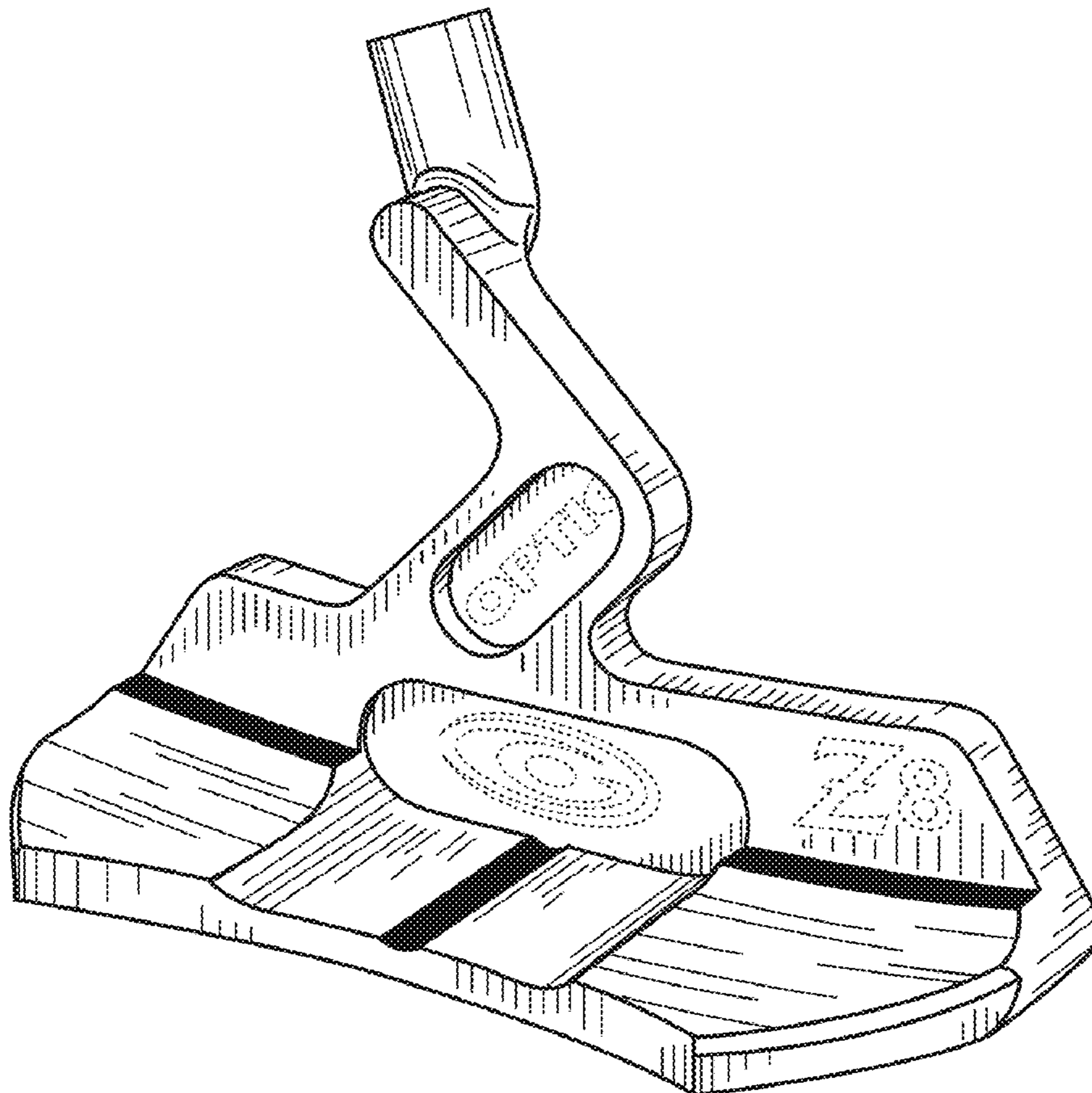
FIG. 5 is a right side elevational view thereof.

FIG. 6 is a front elevational view thereof; and,

FIG. 7 is a rear elevational view thereof.

The portions of the design shown in dashed lines indicate potential trademark designations and form no part of the claimed invention.

**1 Claim, 3 Drawing Sheets**



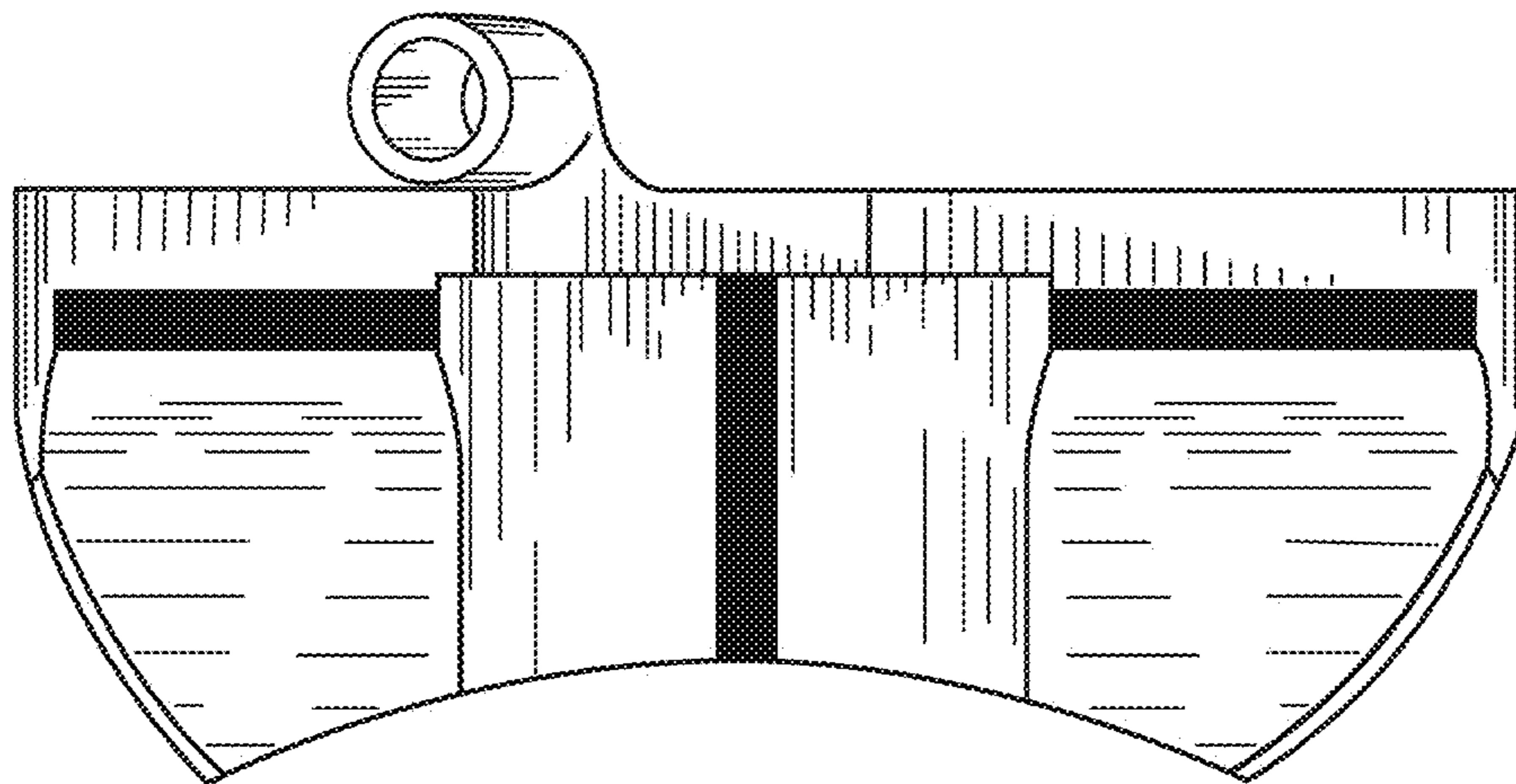
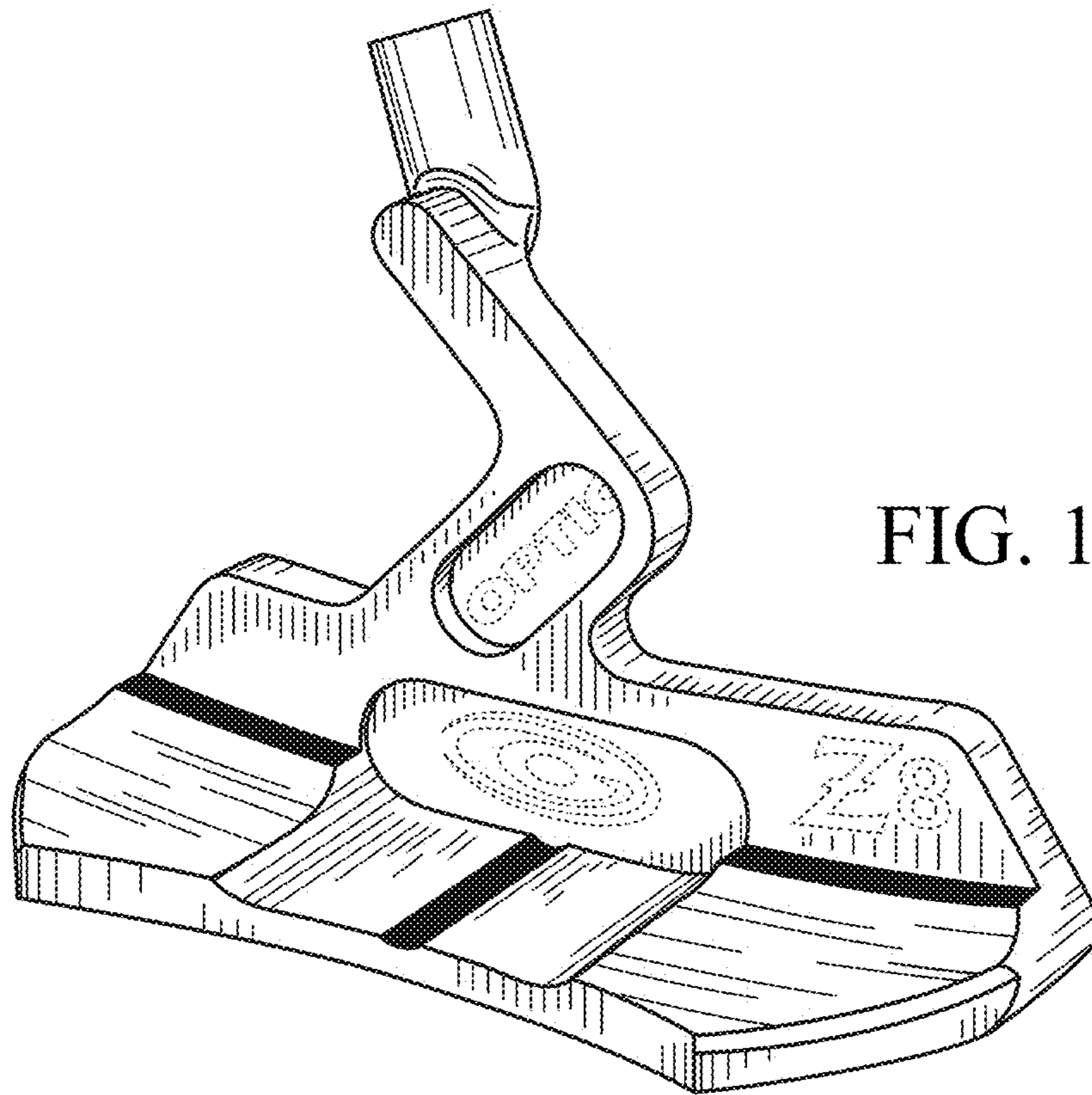


FIG. 3

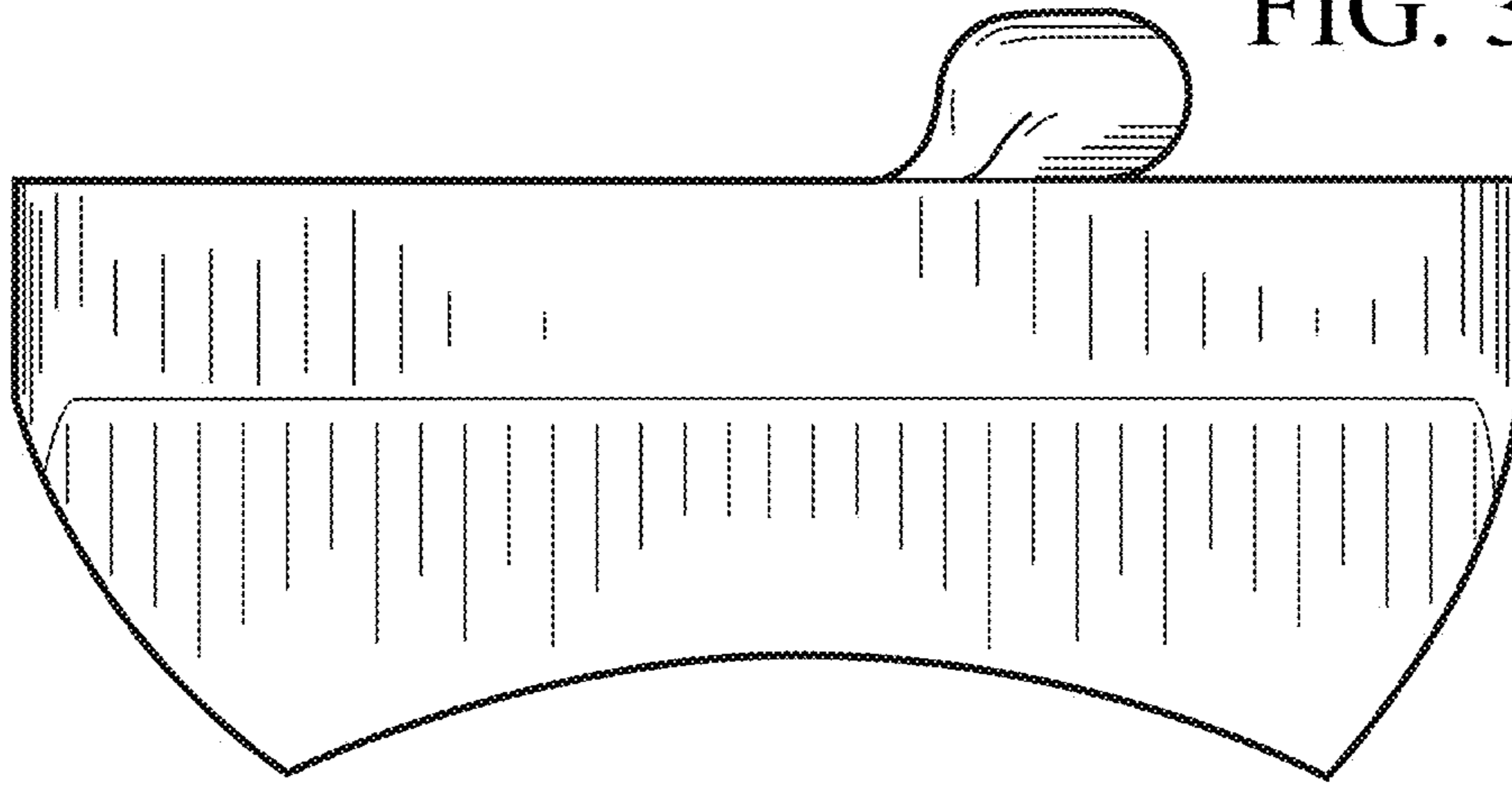
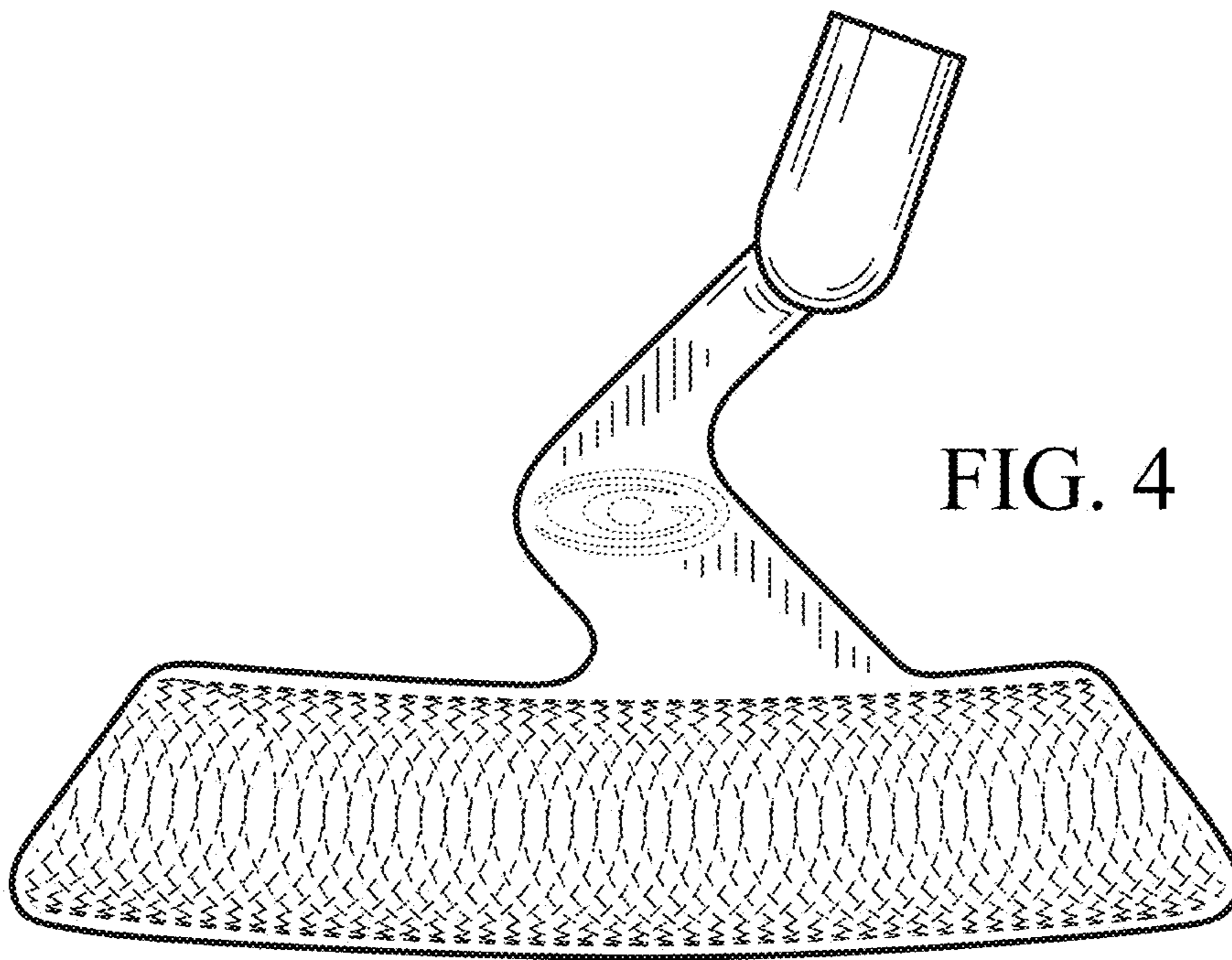
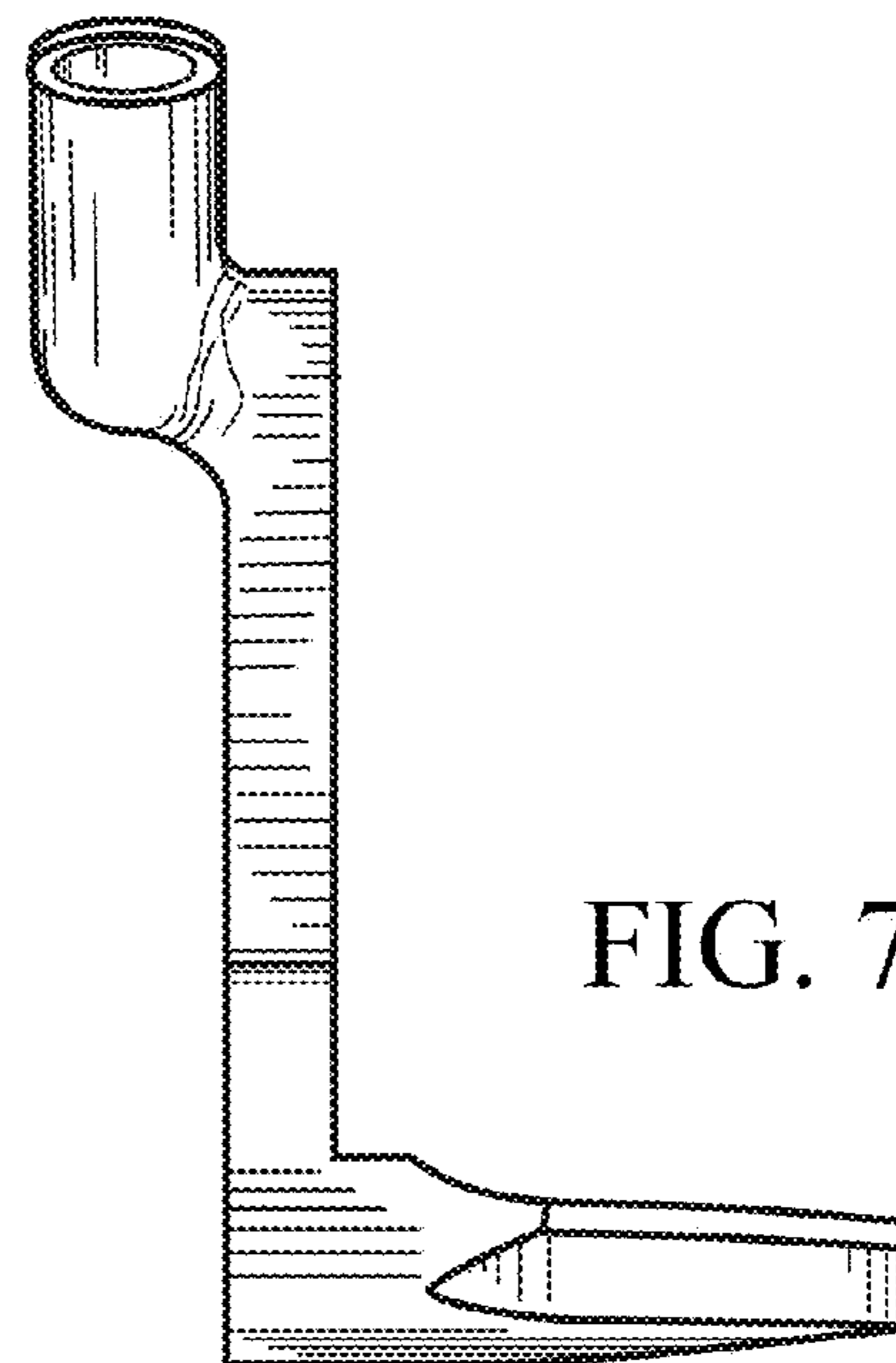
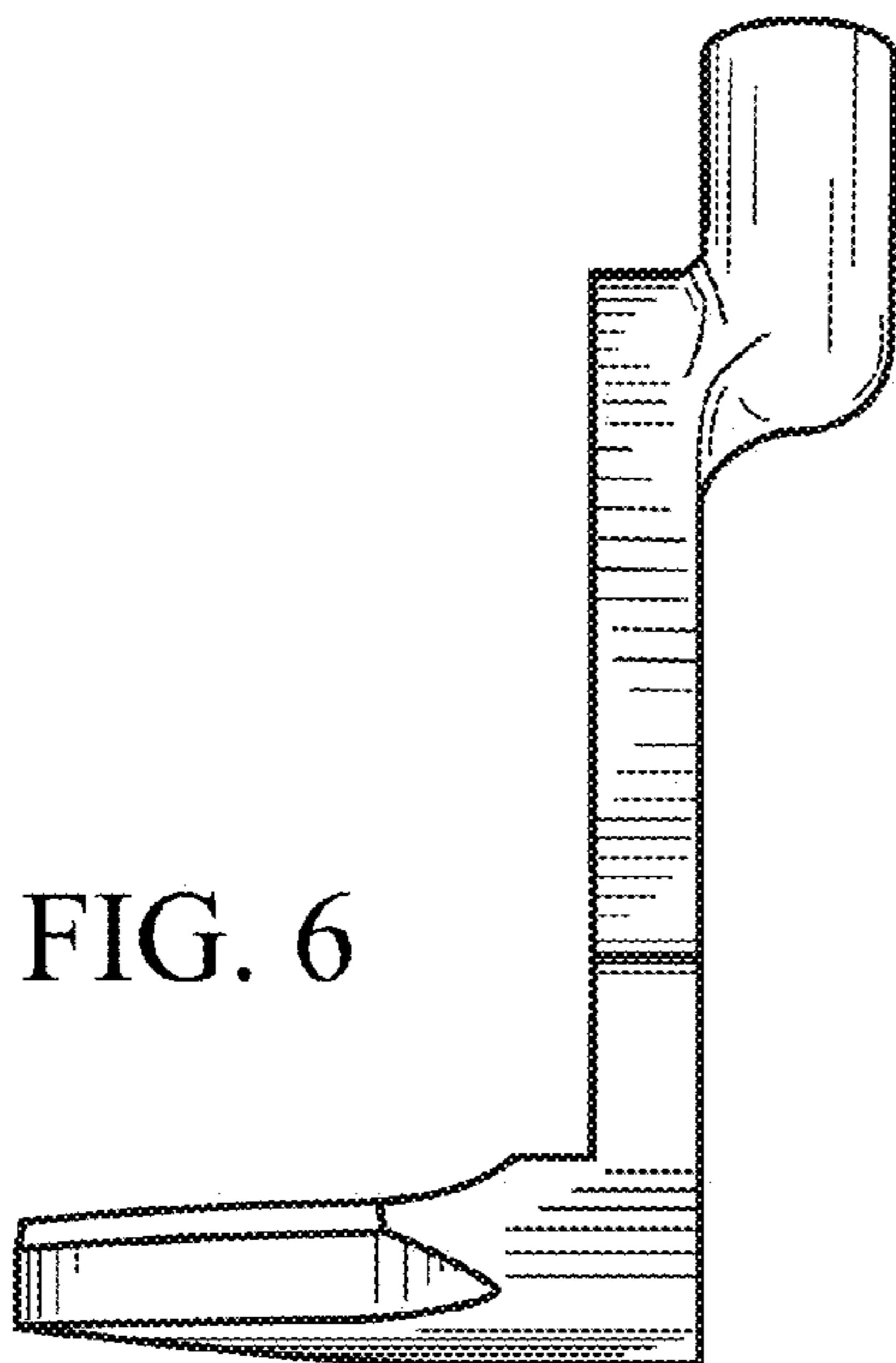
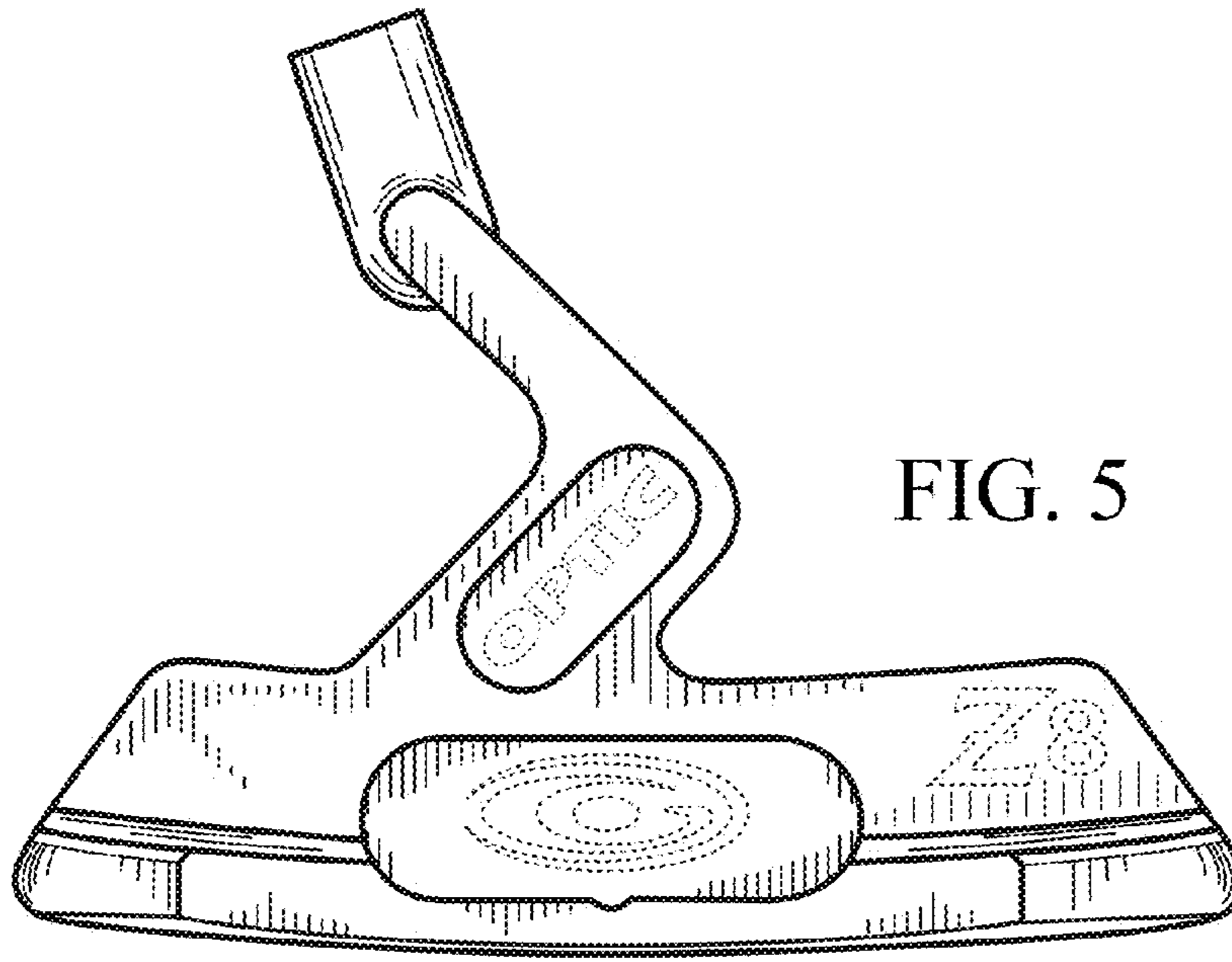


FIG. 4





UNITED STATES PATENT AND TRADEMARK OFFICE  
**CERTIFICATE OF CORRECTION**

PATENT NO. : D741,968 S  
APPLICATION NO. : 29/504309  
DATED : October 27, 2015  
INVENTOR(S) : Broom

Page 1 of 1

It is certified that error appears in the above-identified patent and that said Letters Patent is hereby corrected as shown below:

On the title page

In the Description of Figure 6 delete the phrase “; and,” and insert therefor with the punctuation --.--.

Signed and Sealed this  
Twenty-sixth Day of April, 2016



Michelle K. Lee  
*Director of the United States Patent and Trademark Office*