



US00D741965S

(12) **United States Design Patent**  
**Davis et al.**

(10) **Patent No.:** **US D741,965 S**  
(45) **Date of Patent:** **\*\* Oct. 27, 2015**

(54) **PUTTER HEAD**

(71) Applicants: **Lavonne R Davis**, Naples, FL (US);  
**Frank A Fornari**, Naples, FL (US)

(72) Inventors: **Lavonne R Davis**, Naples, FL (US);  
**Frank A Fornari**, Naples, FL (US)

(73) Assignee: **Biomech Golf, LLC**, Naples, FL (US)

(\*\*) Term: **14 Years**

(21) Appl. No.: **29/501,225**

(22) Filed: **Sep. 2, 2014**

(51) **LOC (10) Cl.** ..... **21-02**

(52) **U.S. Cl.**  
USPC ..... **D21/736**

(58) **Field of Classification Search**  
USPC ..... D21/736-746, 759  
CPC ... A63B 53/065; A63B 53/0487; A63B 53/00  
See application file for complete search history.

(56) **References Cited**

**U.S. PATENT DOCUMENTS**

D257,869 S *	1/1981	MacDougall	.....	D21/739
D268,691 S *	4/1983	Collins	.....	D21/739
D320,251 S *	9/1991	Mermillod	.....	D21/739
D320,638 S *	10/1991	Mermillod	.....	D21/739
D388,853 S *	1/1998	Minami	.....	D21/745
D397,177 S *	8/1998	Spano	.....	D21/736
D402,724 S *	12/1998	Minami	.....	D21/743
D424,145 S *	5/2000	Minami	.....	D21/744
D449,865 S *	10/2001	Fife et al.	.....	D21/736

D499,154 S *	11/2004	D'Agguano	.....	D21/736
D511,802 S *	11/2005	Cameron	.....	D21/744
D514,181 S *	1/2006	Cameron	.....	D21/738
7,059,971 B1 *	6/2006	Schmitt	.....	473/285
7,223,178 B2 *	5/2007	Henry	.....	473/252
D617,857 S *	6/2010	Sones	.....	D21/746
D618,292 S *	6/2010	Moretz	.....	D21/743
7,922,596 B2 *	4/2011	Vanderbilt et al.	.....	473/251
8,272,976 B2 *	9/2012	D'Agostino	.....	473/345
D676,509 S *	2/2013	Kargetta	.....	D21/736
D676,510 S *	2/2013	Kargetta	.....	D21/736
D704,781 S *	5/2014	Pak et al.	.....	D21/736

\* cited by examiner

*Primary Examiner* — Mitchell Siegel

(74) *Attorney, Agent, or Firm* — Quarles & Brady LLP

(57) **CLAIM**

The ornamental design for a putter head, as shown and described.

**DESCRIPTION**

FIG. 1 is a top, left side perspective view of a putter head embodying our new design;

FIG. 2 is a top plan view thereof;

FIG. 3 is a bottom plan view thereof.

FIG. 4 is a front elevational view thereof;

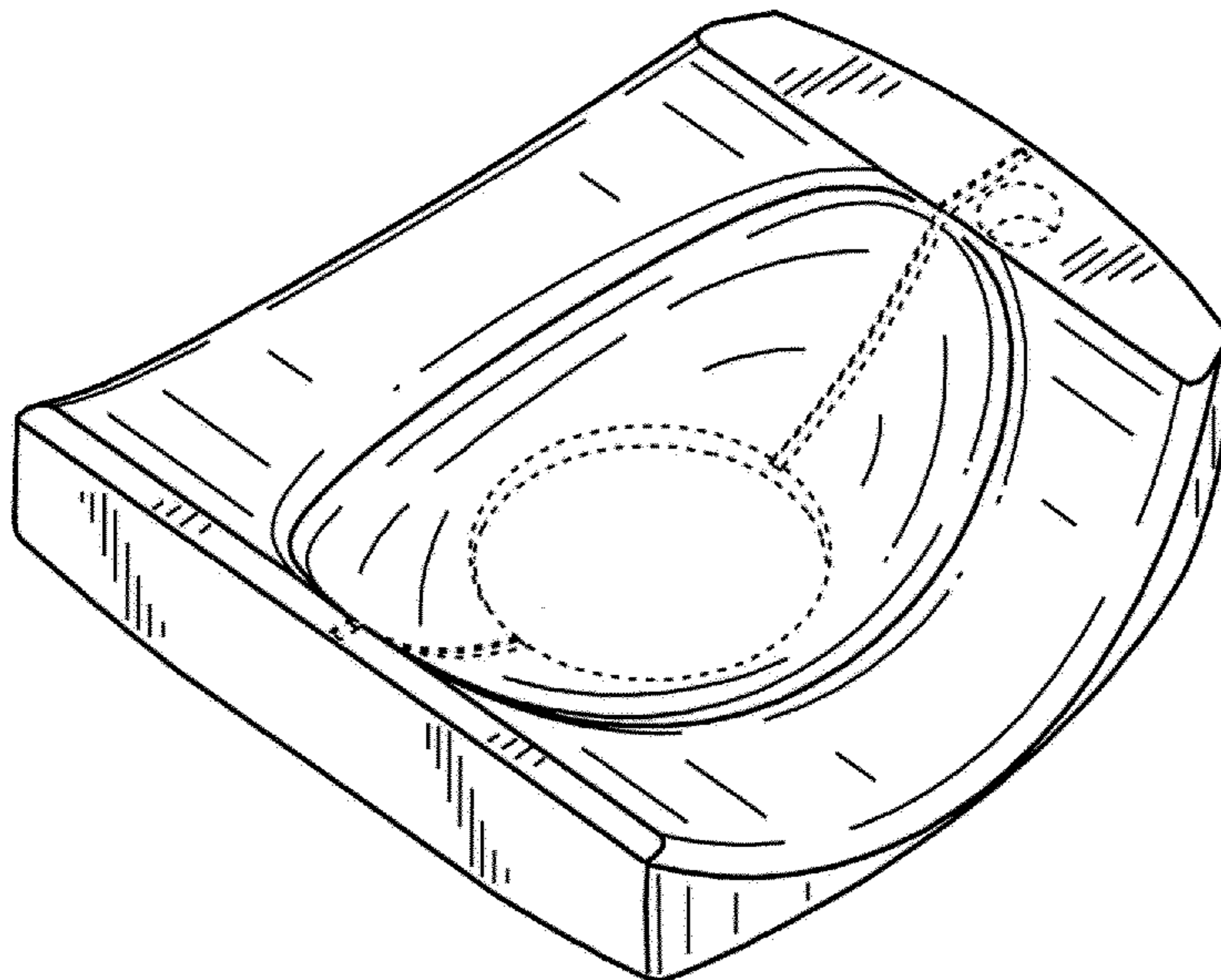
FIG. 5 is a rear elevational view thereof; and,

FIG. 6 is a side elevational view thereof.

In a preferred embodiment, the nature of this product is a putter head for a golf club.

The broken line representations of items in FIGS. 1-6 are for purposes of illustration only, and form no part of the claimed design.

**1 Claim, 3 Drawing Sheets**



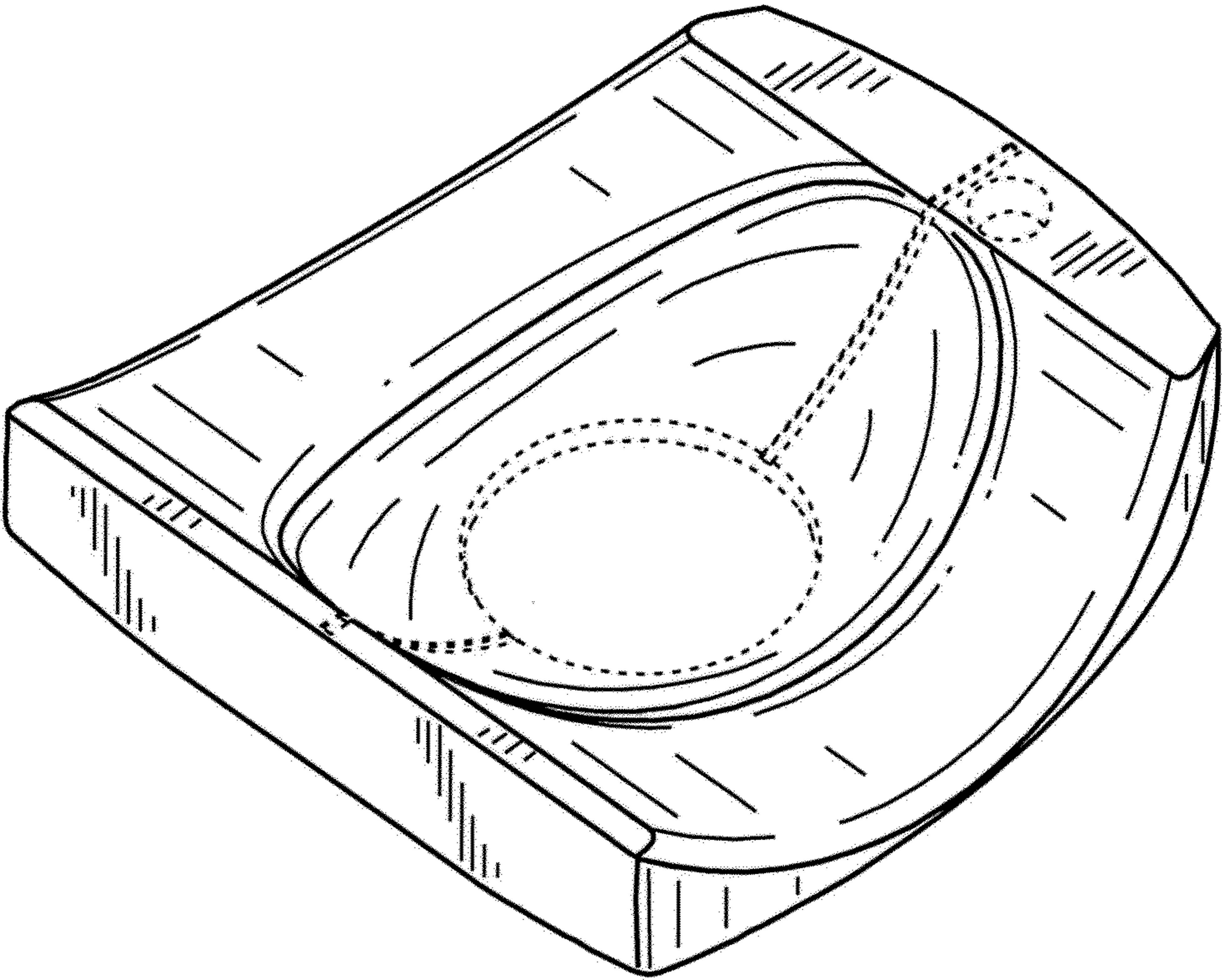


FIG. 1

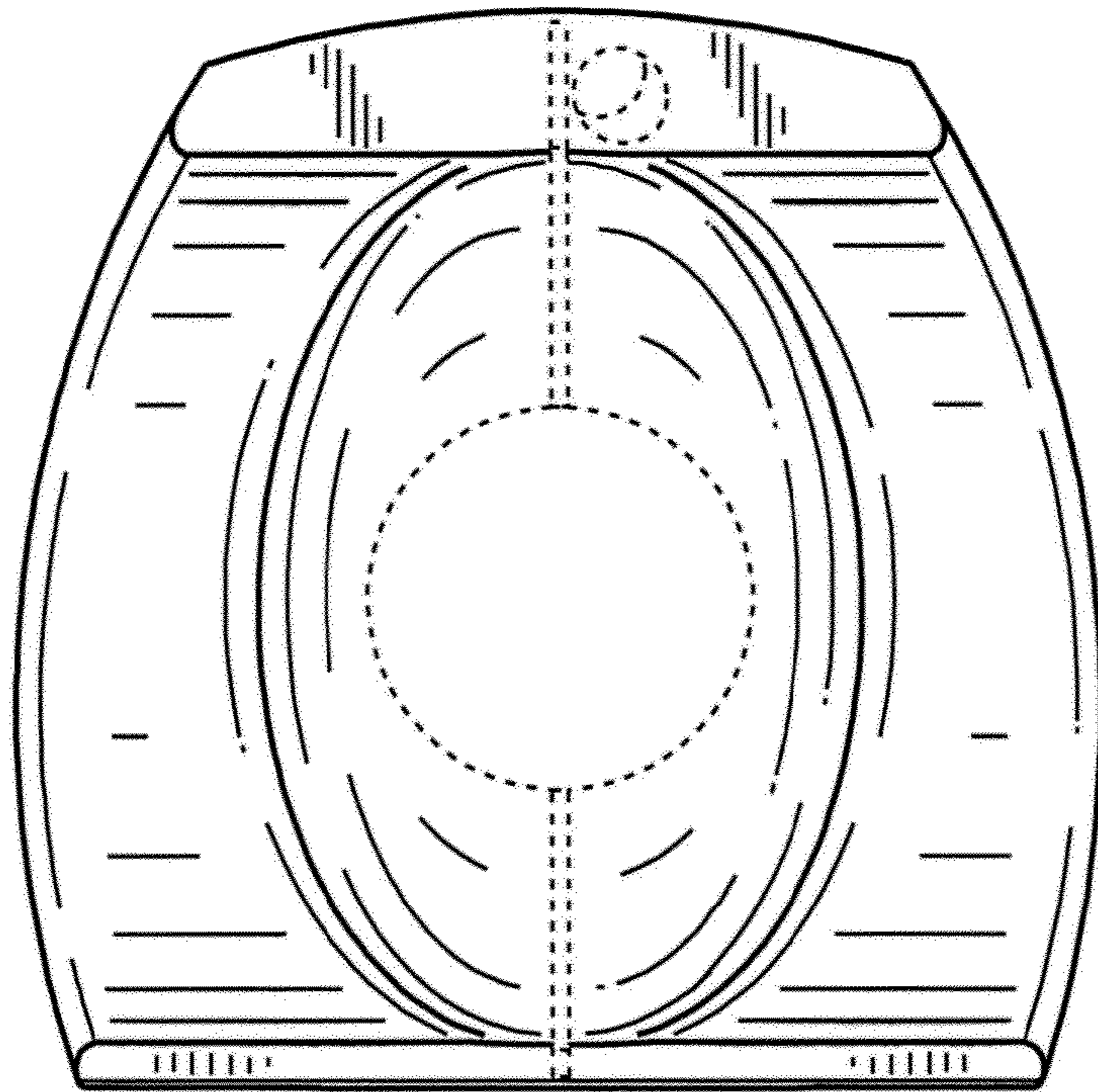


FIG. 2

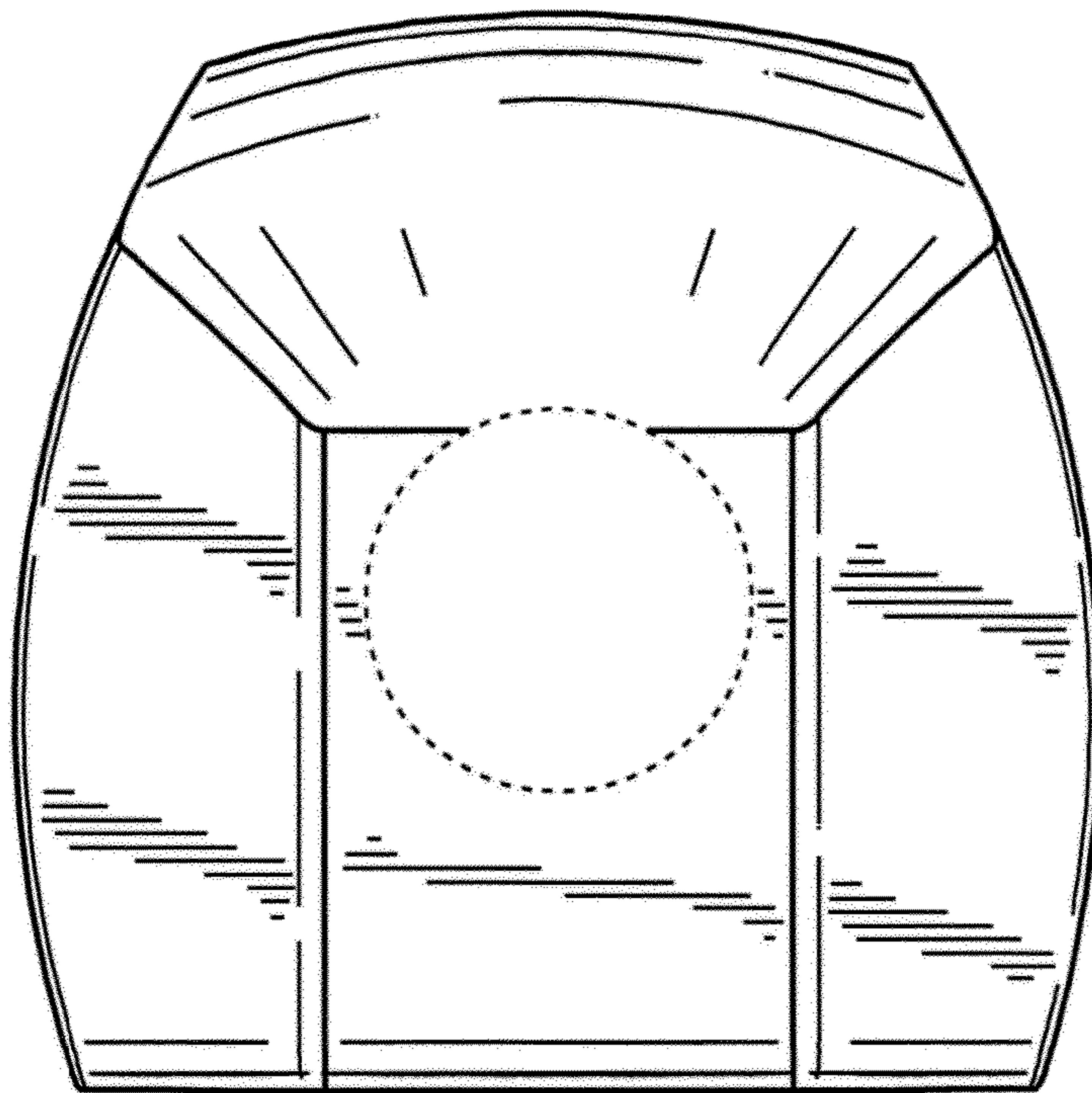


FIG. 3

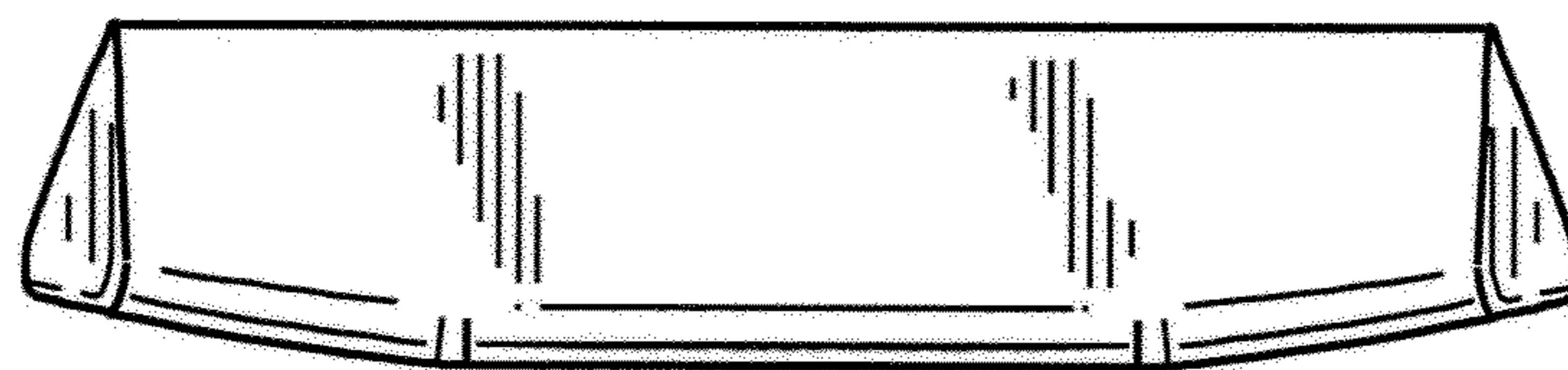


FIG. 4

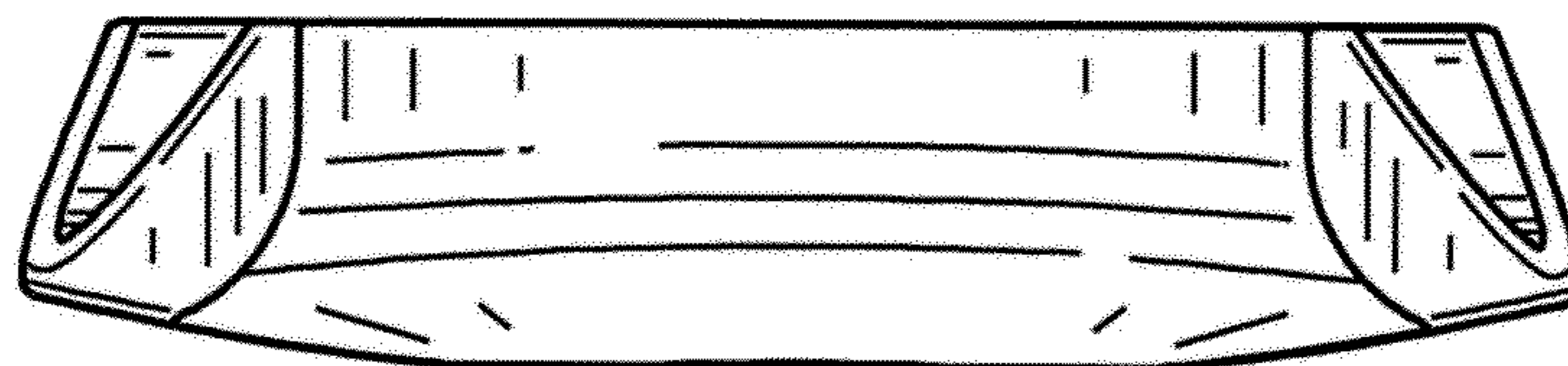


FIG. 5

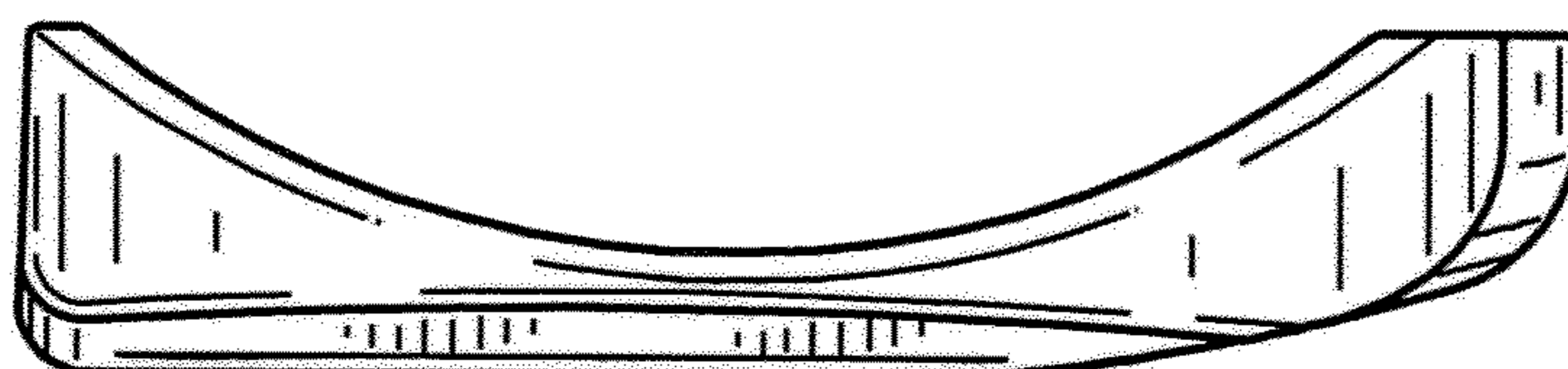


FIG. 6