



US00D741962S

(12) **United States Design Patent**
Terrian

(10) **Patent No.:** **US D741,962 S**

(45) **Date of Patent:** **** Oct. 27, 2015**

(54) **EXERCISE BEAM**

(71) Applicant: **Michael Wayne Terrian**, Findlay, OH
(US)

(72) Inventor: **Michael Wayne Terrian**, Findlay, OH
(US)

(**) Term: **14 Years**

(21) Appl. No.: **29/487,230**

(22) Filed: **Apr. 7, 2014**

(51) **LOC (10) Cl.** **21-02**

(52) **U.S. Cl.**
USPC **D21/686**

(58) **Field of Classification Search**
USPC D7/698, 699, 553.4, 555; D6/374, 716,
D6/375, 582, 601, 354, 406.3, 358;
D21/688, 686, 662, 671, 680, 682, 694,
D21/695, 690, 698, 699, 797, 369;
D24/190, 168; D29/120.1; D25/155;
D19/113, 26, 32; D3/203.2; D2/897,
D2/925, 950, 947; D26/37; 99/472, 467;
269/14, 289 R, 13, 15; 156/250, 256,
156/272.8, 308.2, 330, 60; 206/216;
224/257; 5/420; 428/80

See application file for complete search history.

(56) **References Cited**

U.S. PATENT DOCUMENTS

D249,182 S *	8/1978	Greer	D17/99
4,852,874 A	8/1989	Sleichter, III et al.		
5,015,036 A *	5/1991	Fergie	297/397
D326,931 S *	6/1992	Tomsick	D28/63
D341,509 S *	11/1993	Evans	D6/601
5,472,395 A *	12/1995	Trocchio	482/83
D369,391 S *	4/1996	Jump, Jr.	D21/685
5,540,642 A	7/1996	Sprague		
5,643,164 A	7/1997	Teff		

D439,603 S *	3/2001	Laird	D17/99
D469,711 S *	2/2003	Neufeglise et al.	D10/114.4
D502,687 S *	3/2005	Sherman	D13/156
6,908,417 B2	6/2005	Jackson		
D543,066 S *	5/2007	Ohno	D6/601
7,344,487 B2	3/2008	Carter et al.		
7,431,681 B1	10/2008	St. Cyr		
D579,990 S *	11/2008	Dalcourt	D21/680
7,658,700 B2	2/2010	Maloy et al.		
D619,669 S *	7/2010	Mesirow	D21/797
7,771,327 B1	8/2010	Reams		
7,833,141 B2	11/2010	Kulka		
7,922,624 B1	4/2011	Fairhurst et al.		
7,922,634 B1	4/2011	Wu		
8,025,617 B2	9/2011	Tennant et al.		
8,033,966 B2	10/2011	Ayoub		
2007/0060454 A1	3/2007	Vogel		
2012/0040808 A1	2/2012	Khademi		
2012/0322633 A1	12/2012	Holman		
2014/0378283 A1 *	12/2014	Qiu	482/142

* cited by examiner

Primary Examiner — Robert M Spear

Assistant Examiner — Ryan Harvey

(74) *Attorney, Agent, or Firm* — The Law Office of Patrick F. O'Reilly, LLC

(57) **CLAIM**

The ornamental design for an exercise beam, as shown and described.

DESCRIPTION

FIG. 1 is a top-front perspective view of an exercise beam showing my new design;

FIG. 2 is a left side elevational view thereof;

FIG. 3 is a right side elevational view thereof;

FIG. 4 is a top plan view thereof;

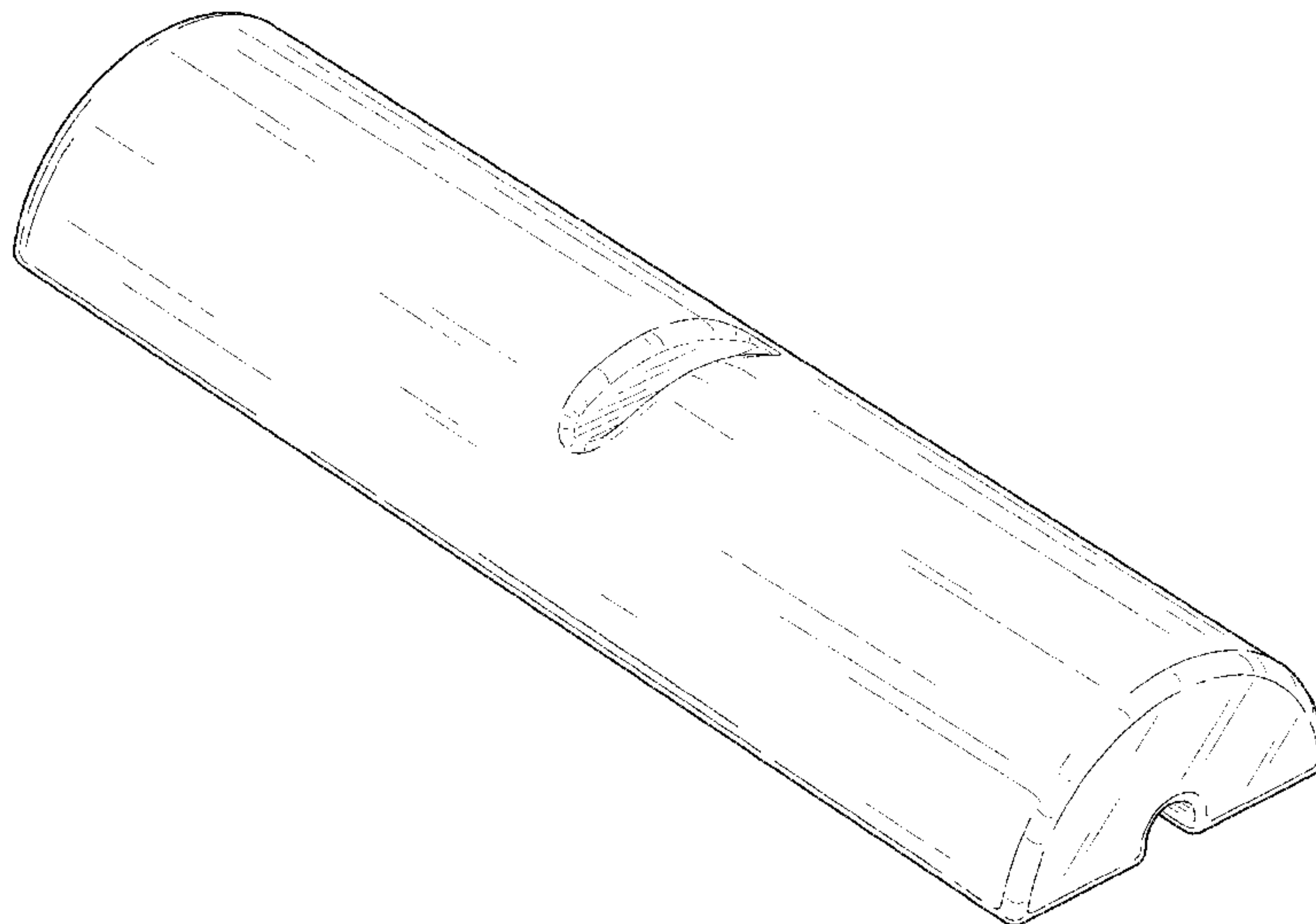
FIG. 5 is a bottom plan view thereof;

FIG. 6 is a front side elevational view thereof;

FIG. 7 is a rear side elevational view thereof; and,

FIG. 8 is a bottom perspective view thereof.

1 Claim, 6 Drawing Sheets



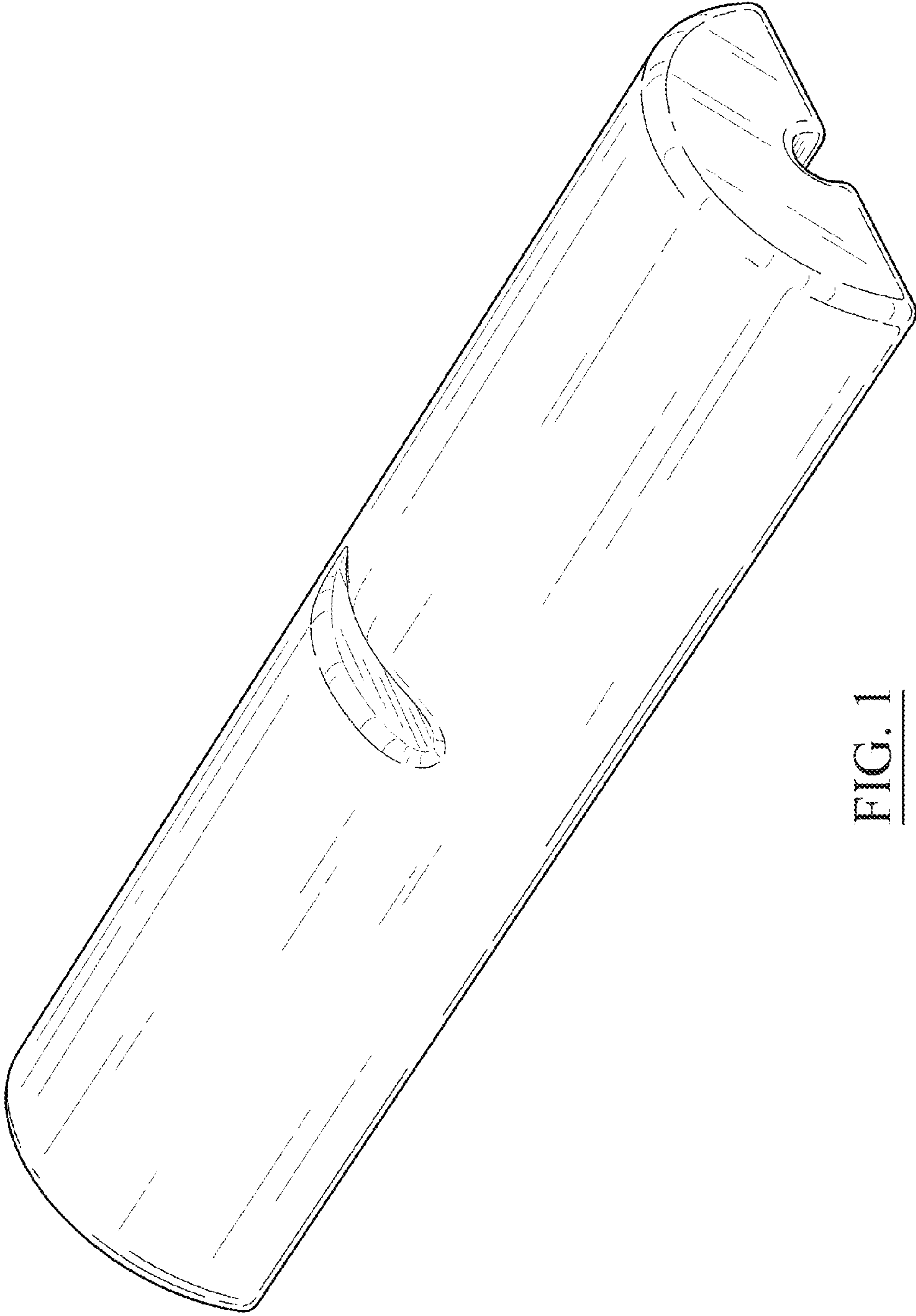


FIG. 1

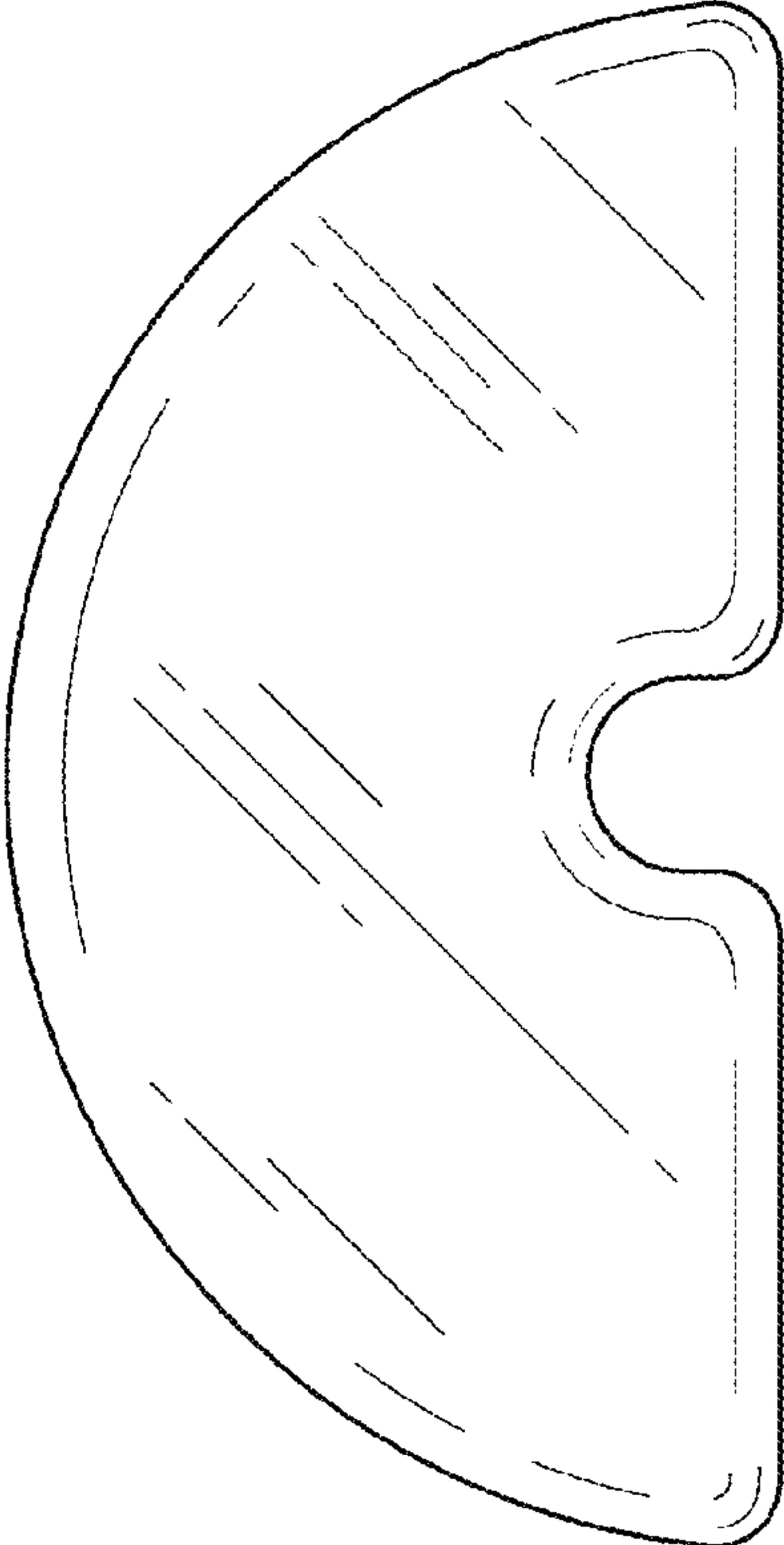


FIG. 2

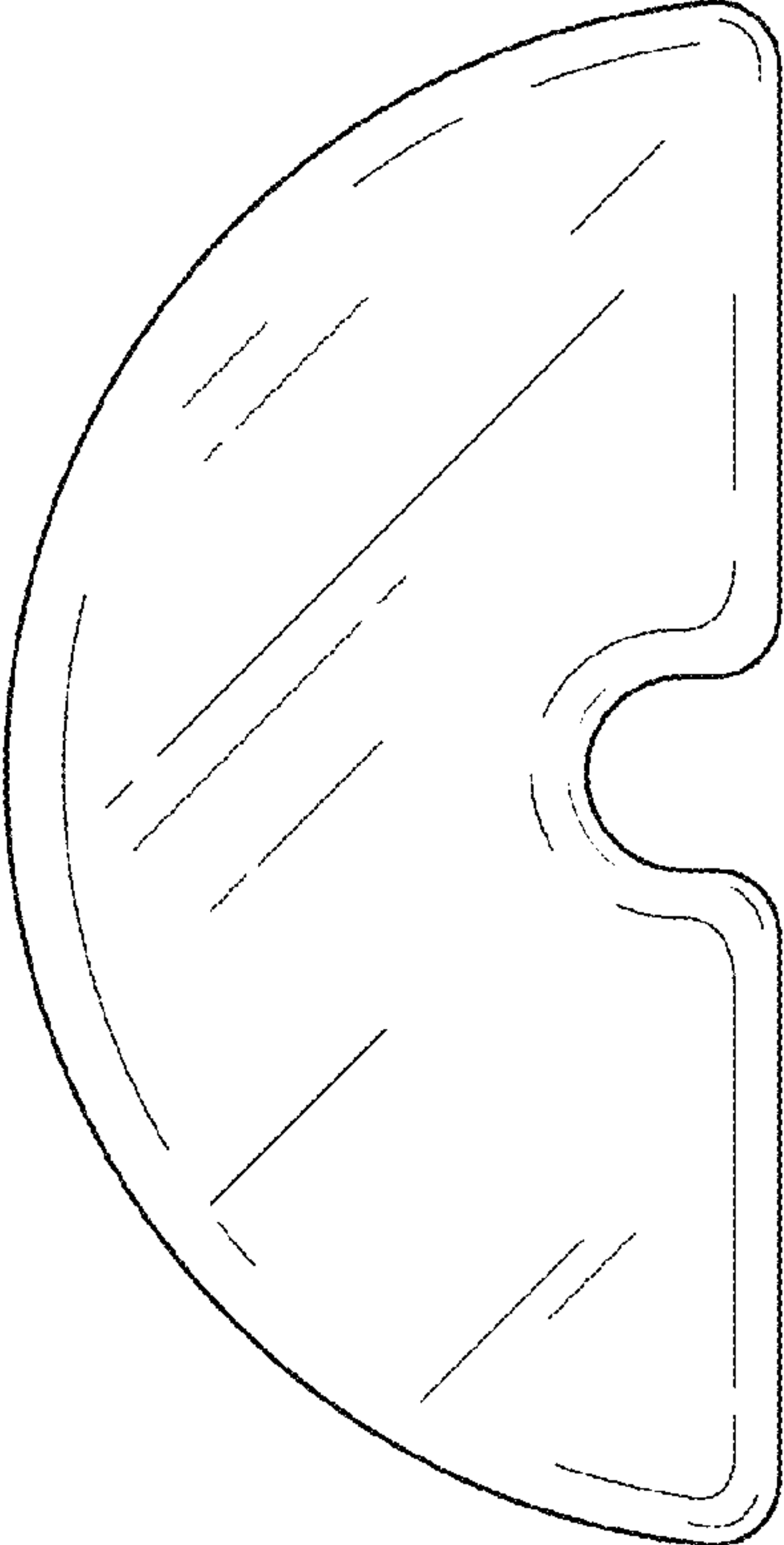


FIG. 3

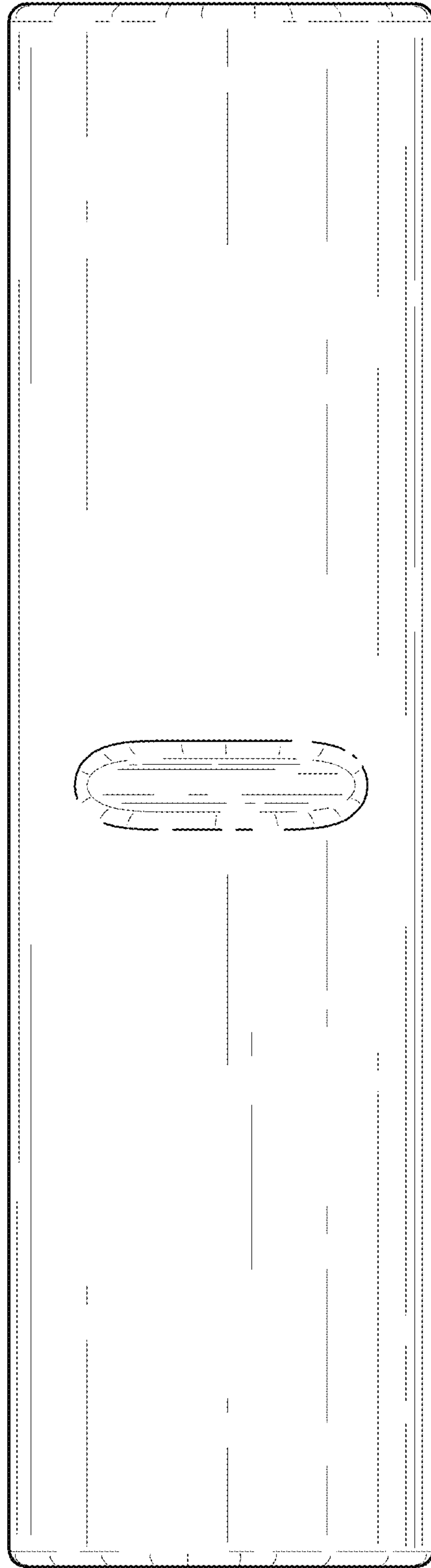


FIG. 4

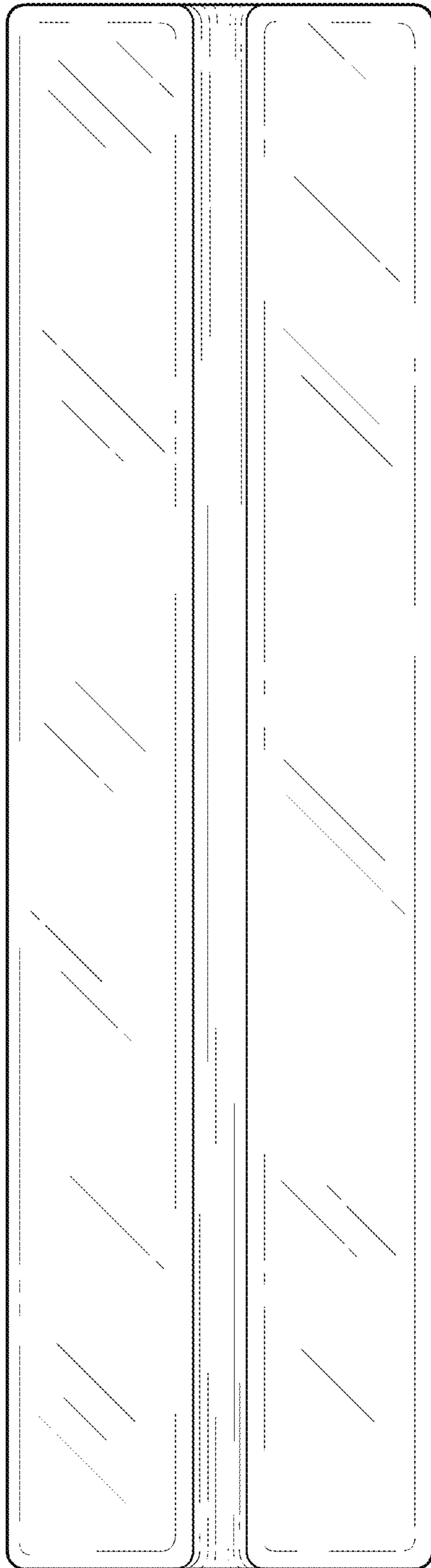


FIG. 5

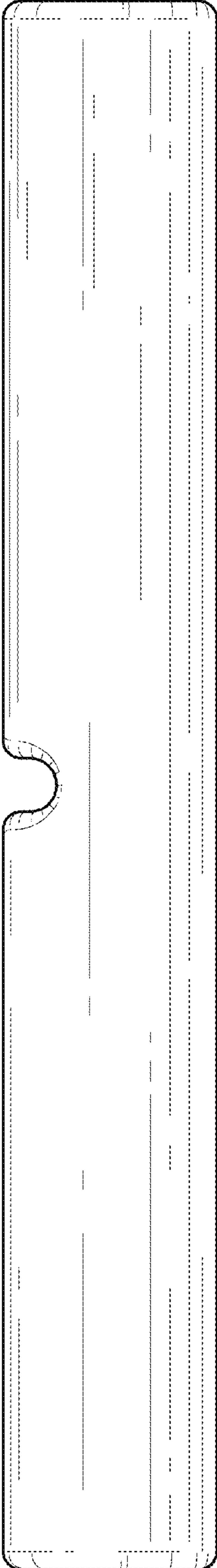


FIG. 6

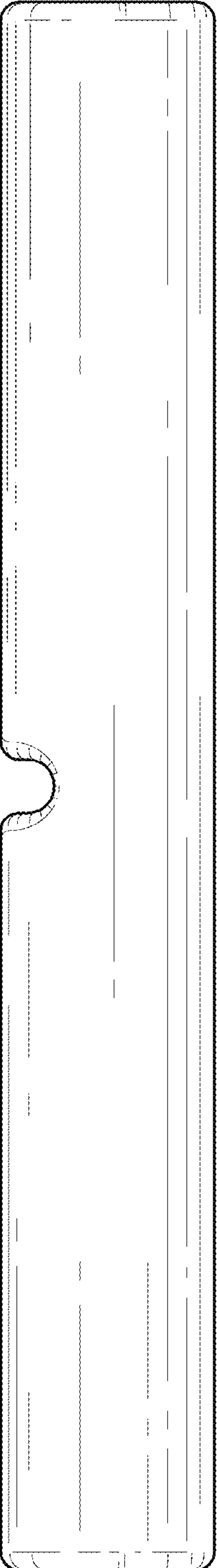


FIG. 7

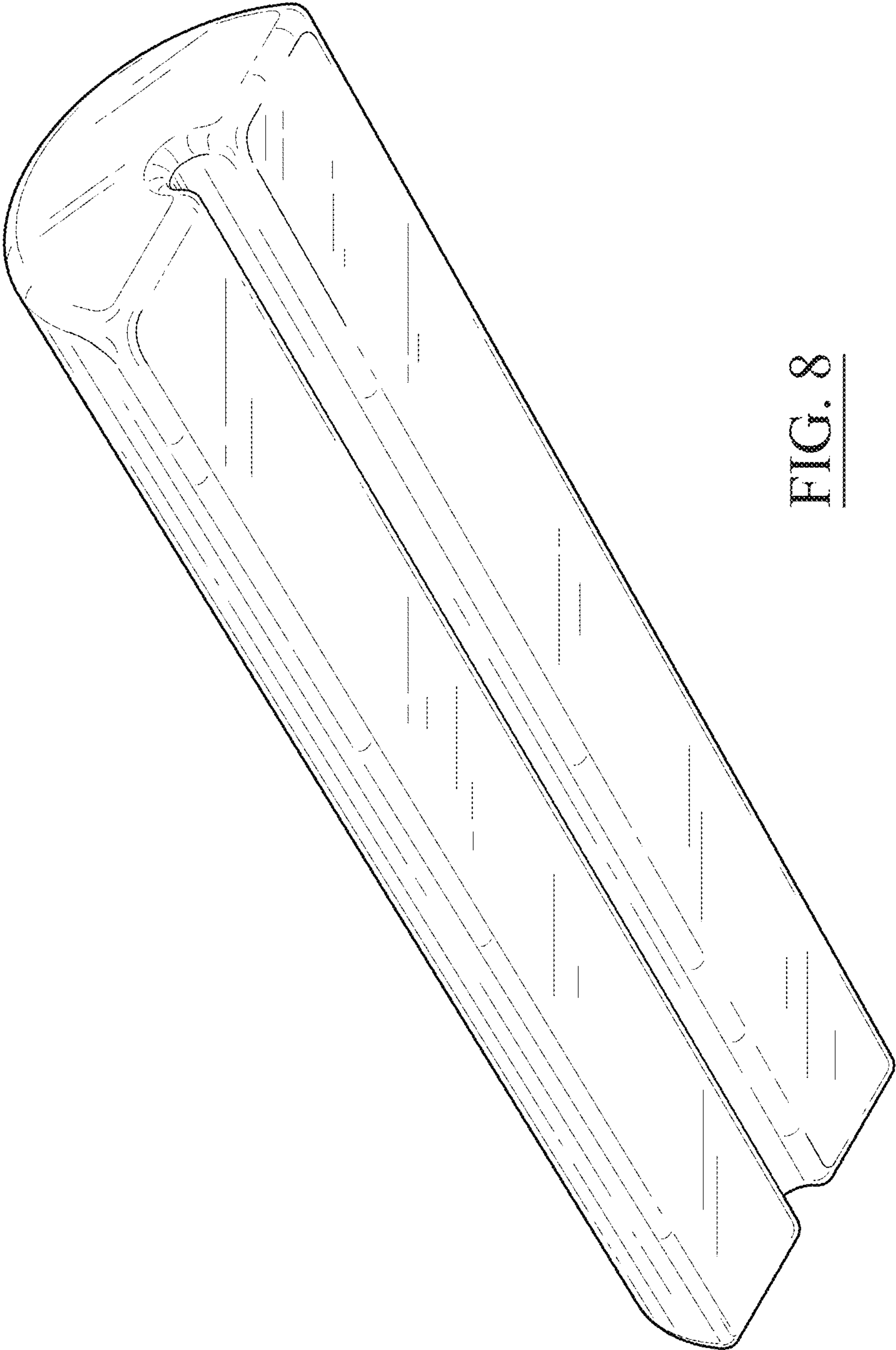


FIG. 8