



US00D741961S

(12) **United States Design Patent**
Maribona

(10) **Patent No.:** **US D741,961 S**
(45) **Date of Patent:** **** Oct. 27, 2015**

(54) **HAND HELD EXERCISE BOARD AND WEIGHT SET**

(71) Applicant: **Carlos P Maribona**, Coral Gables, FL (US)

(72) Inventor: **Carlos P Maribona**, Coral Gables, FL (US)

(**) Term: **14 Years**

(21) Appl. No.: **29/474,565**

(22) Filed: **Oct. 31, 2014**

(51) **LOC (10) Cl.** **21-02**

(52) **U.S. Cl.**
USPC **D21/684**

(58) **Field of Classification Search**
USPC D21/797, 694, 671, 686, 698, 699, 680, D21/685, 692, 662, 687, 689, 318, 688, 412, D21/333, 683, 798; D19/37, 64, 59; D8/330, 1, 16; D9/624, 629; D14/417.496; 15/104.93, 105, 118, 15/229.11, 208; D25/139, 155, 62, 65; D6/349, 582, 592, 335, 350, 583, 588, D6/585; 99/472, 467; D34/23, 1; 297/461, 297/223, 423.41; 269/289 R, 13, 15, 14; 206/501, 514, 4.27, 8; 156/250, 256, 156/272.8, 308.2, 330, 60, 213; 248/678; D7/698, 699, 629, 388; 220/4.26; 217/3 R; D24/190, 191, 192, 167; D17/99; D3/294, 282, 905; D30/118; 182/33; D99/17, 1; 428/122; 451/534, 451/539; 482/142, 52, 51, 30, 74, 91, 140, 482/25, 94; 446/117, 69; 473/278
CPC A63B 22/001; A63B 22/0664; A63B 23/0211; A63B 21/225; A63B 2022/067; A63B 2208/0204; A63B 22/203; A63B 21/1473; A63B 6/00; A63B 21/00105; Y10T 156/10; A47G 9/062; A47G 27/0237; B32B 2471/04

See application file for complete search history.

(56) **References Cited**

U.S. PATENT DOCUMENTS

3,185,476 A	5/1965	Fechner	273/58
3,265,389 A *	8/1966	Carlson	482/49
4,253,660 A	3/1981	Tiktin	272/67
4,368,883 A	1/1983	Tiktin	272/67
D275,302 S *	8/1984	Rotella	D21/684
4,750,734 A	6/1988	Greenfield	272/67
D299,373 S *	1/1989	Parker et al.	D21/682
4,995,604 A *	2/1991	Lynch et al.	482/55
5,011,135 A	4/1991	Patik	272/67
5,062,625 A	11/1991	Vonk	272/67
5,078,388 A	1/1992	Dempsey, Jr.	272/67
D327,307 S	6/1992	Mojden	D21/198
5,141,478 A	8/1992	Upper	482/44

(Continued)

Primary Examiner — Robert M Spear

Assistant Examiner — Ryan Harvey

(74) *Attorney, Agent, or Firm* — David A. Burge

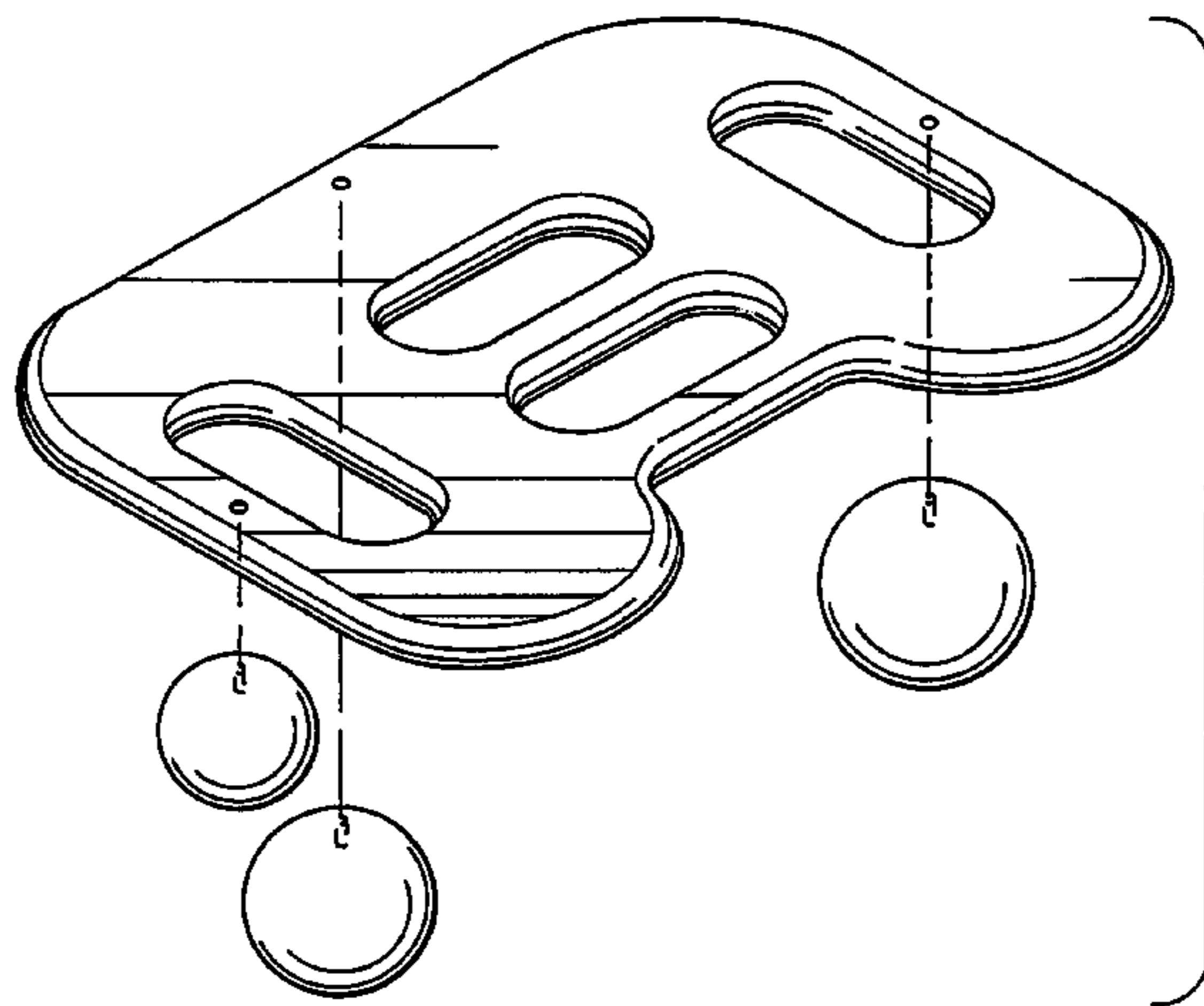
(57) **CLAIM**

I claim the ornamental design for a hand held exerciser board and weight set, as shown and described.

DESCRIPTION

FIG. 1 is a perspective view of a hand held exercise board and weight set showing my new design;
FIG. 2 is a front elevational view of one weight shown removed from the hand held exercise board and weight set for clarity of disclosure;
FIG. 3 is a top plan view of the weight shown in FIG. 2;
FIG. 4 is a bottom plan view of the weight shown in FIG. 2;
FIG. 5 is a perspective view of the hand held exercise board and weight set, shown with the weights removed for clarity of disclosure;
FIG. 6 is a right end view of the hand held exercise board and weight set, shown with the weights removed for clarity of disclosure;
FIG. 7 is a front elevational view thereof;
FIG. 8 is a bottom plan view thereof; and,
FIG. 9 is a top plan view thereof.

1 Claim, 3 Drawing Sheets



(56)

References Cited

U.S. PATENT DOCUMENTS

5,267,931 A * 12/1993 Faetini 482/140
 5,386,978 A 2/1995 Ladwig 269/289
 5,445,582 A 8/1995 Brown 482/48
 5,556,359 A 9/1996 Clementi 482/49
 D387,826 S 12/1997 Smallwood et al. D21/198
 5,692,996 A * 12/1997 Widerman 482/93
 D390,614 S 2/1998 Morley D21/198
 D394,481 S * 5/1998 DeLisse D21/694
 D408,059 S * 4/1999 Marnix D19/97
 5,897,474 A * 4/1999 Romero 482/146
 6,050,925 A * 4/2000 Irvin et al. 482/111
 6,099,438 A 8/2000 Dawson 482/47
 D528,180 S * 9/2006 Rathbun D21/780
 7,104,934 B1 9/2006 Smith 482/97
 D568,423 S * 5/2008 Y'shua et al. D21/662
 D570,166 S 6/2008 Brownlee D7/698

D583,884 S 12/2008 Zickert D21/684
 D610,637 S 2/2010 Ford D21/684
 7,658,696 B2 * 2/2010 Hunter 482/10
 7,686,740 B1 3/2010 Chang 482/50
 D613,871 S * 4/2010 Choi et al. D24/215
 8,052,587 B1 * 11/2011 Wu 482/148
 D665,469 S * 8/2012 Zabel D21/662
 8,256,031 B2 * 9/2012 Von Kahle 2/311
 D685,440 S * 7/2013 Tuttle D21/680
 D691,221 S * 10/2013 Potts et al. D21/680
 8,591,384 B2 11/2013 Marji 482/50
 D698,400 S * 1/2014 Potts D21/680
 8,840,531 B2 * 9/2014 Viselman 482/93
 D715,449 S * 10/2014 Wang D24/188
 D725,726 S * 3/2015 Gomez D21/684
 8,998,778 B2 * 4/2015 Potts et al. 482/104
 D728,935 S * 5/2015 Huang D3/282
 2012/0053024 A1 3/2012 Mendoza 482/106
 2014/0221182 A1 * 8/2014 Lin 482/142

* cited by examiner

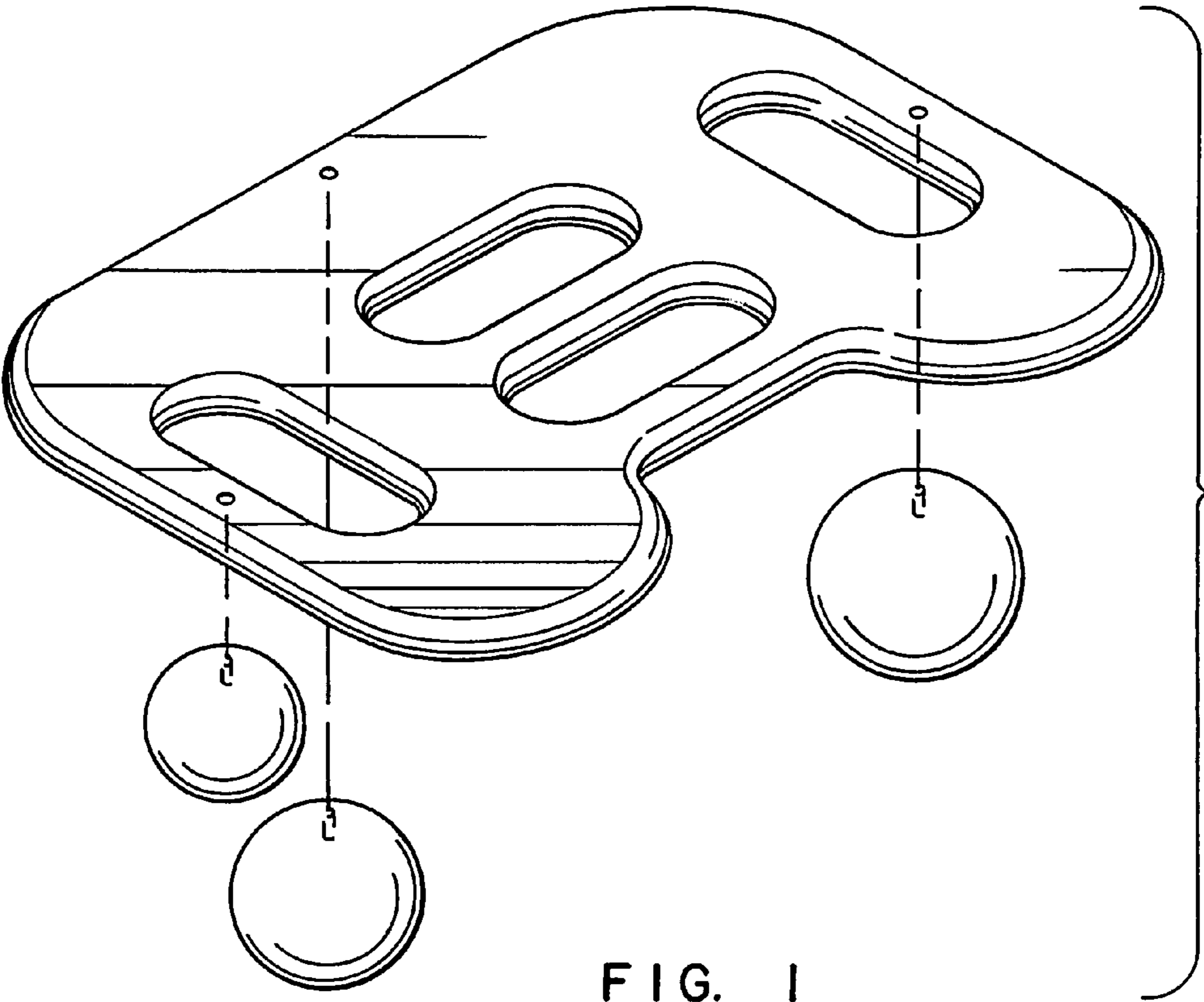


FIG. 1

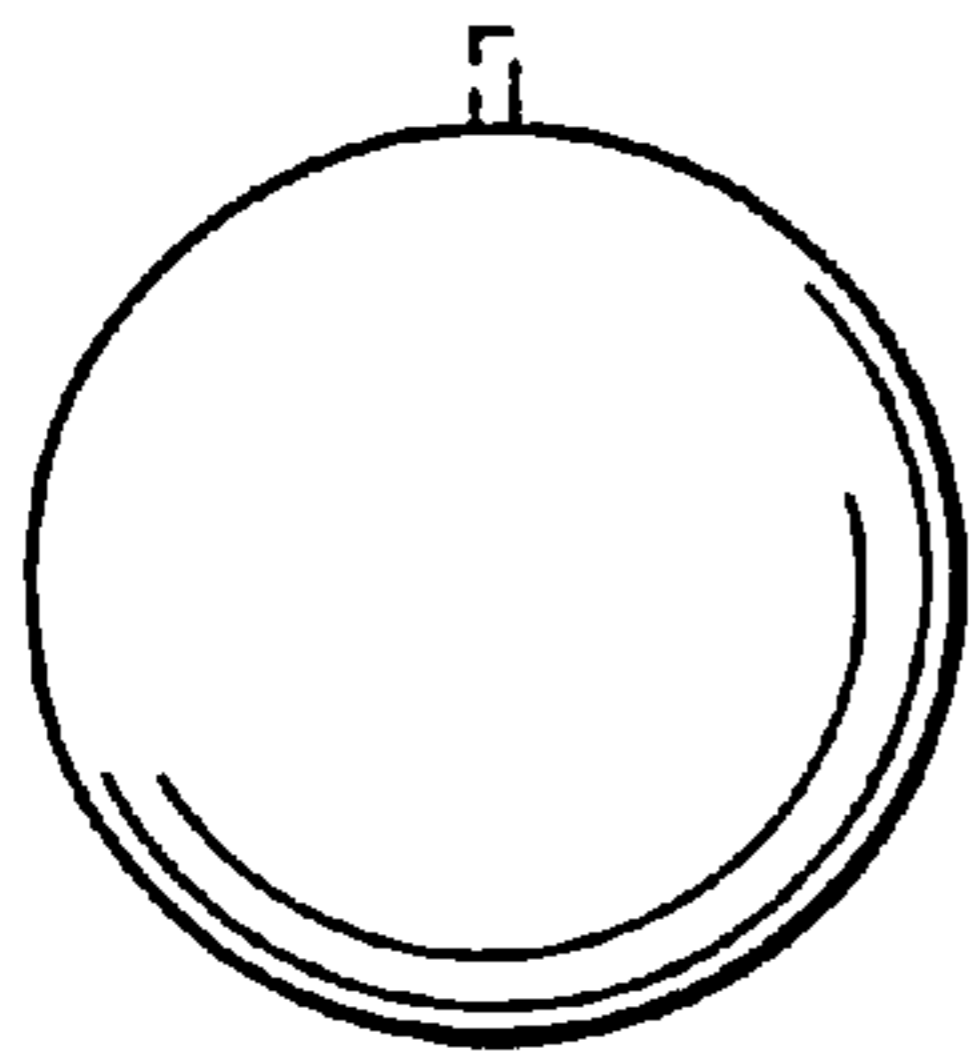


FIG. 2

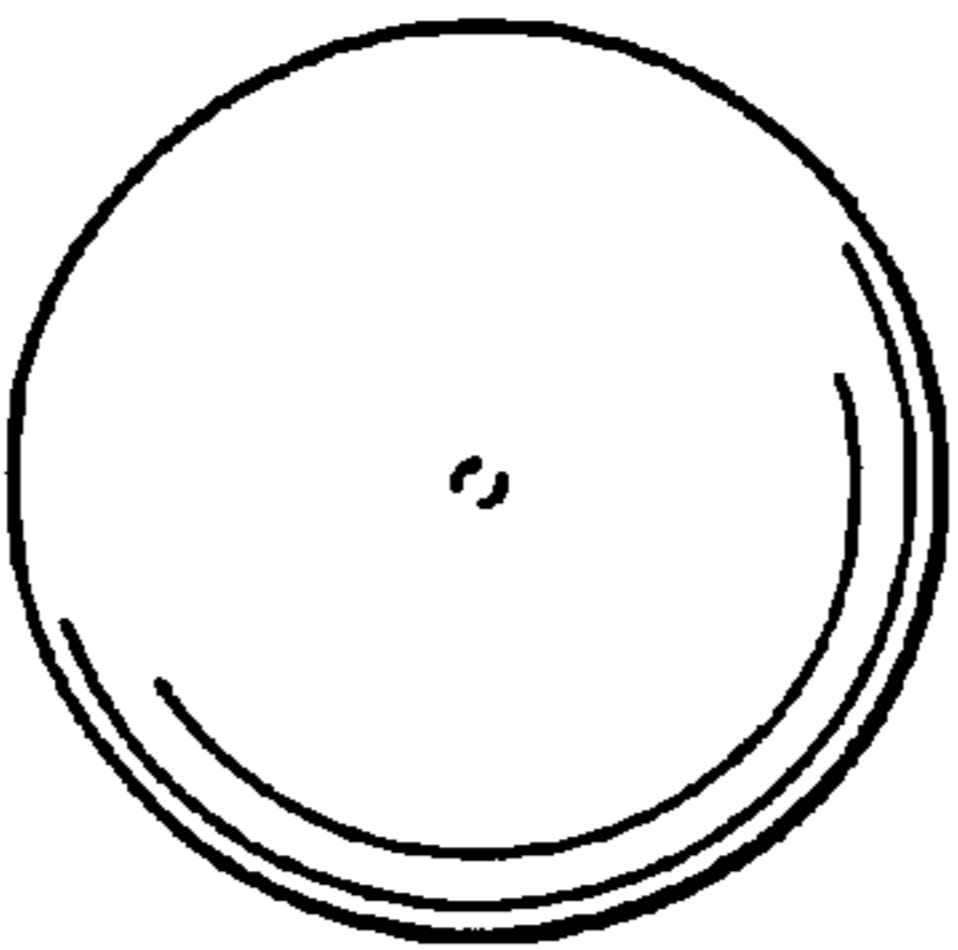


FIG. 3

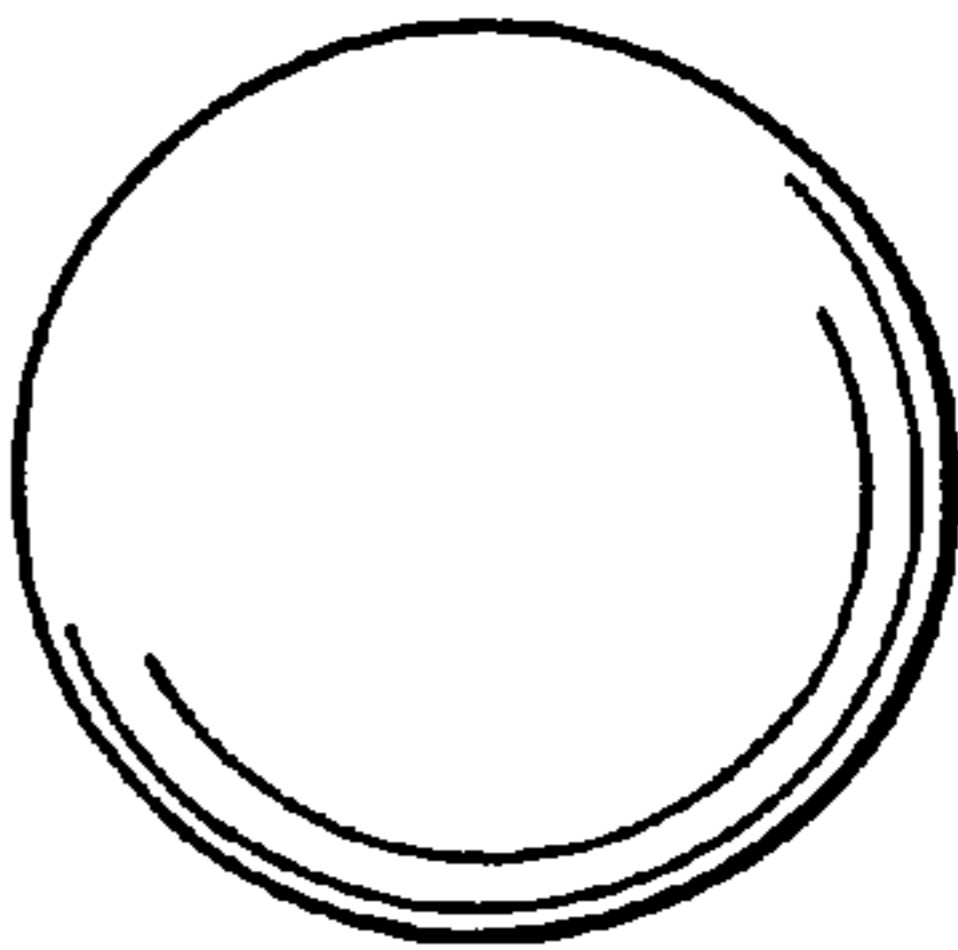


FIG. 4

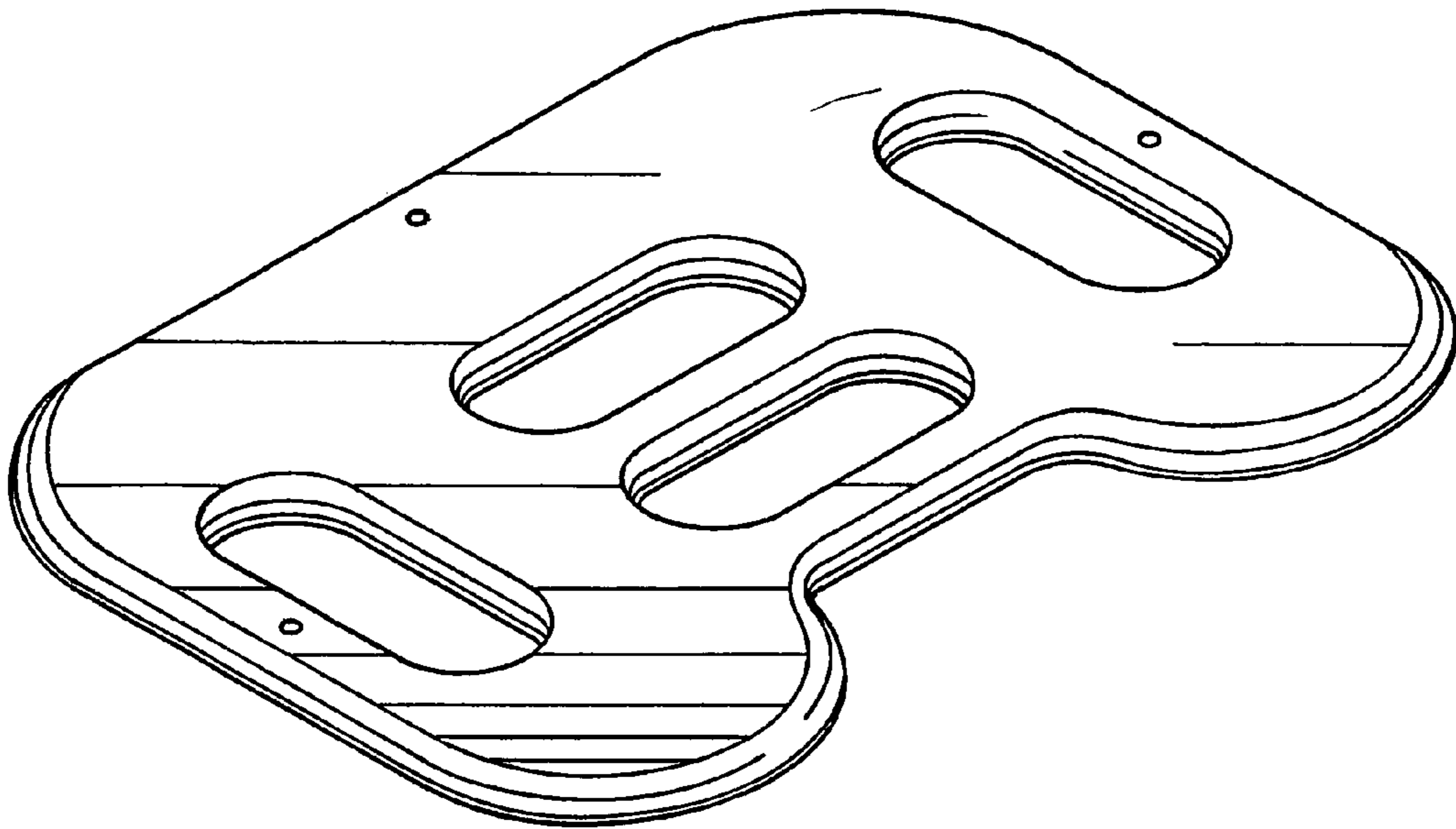


FIG. 5



FIG. 6

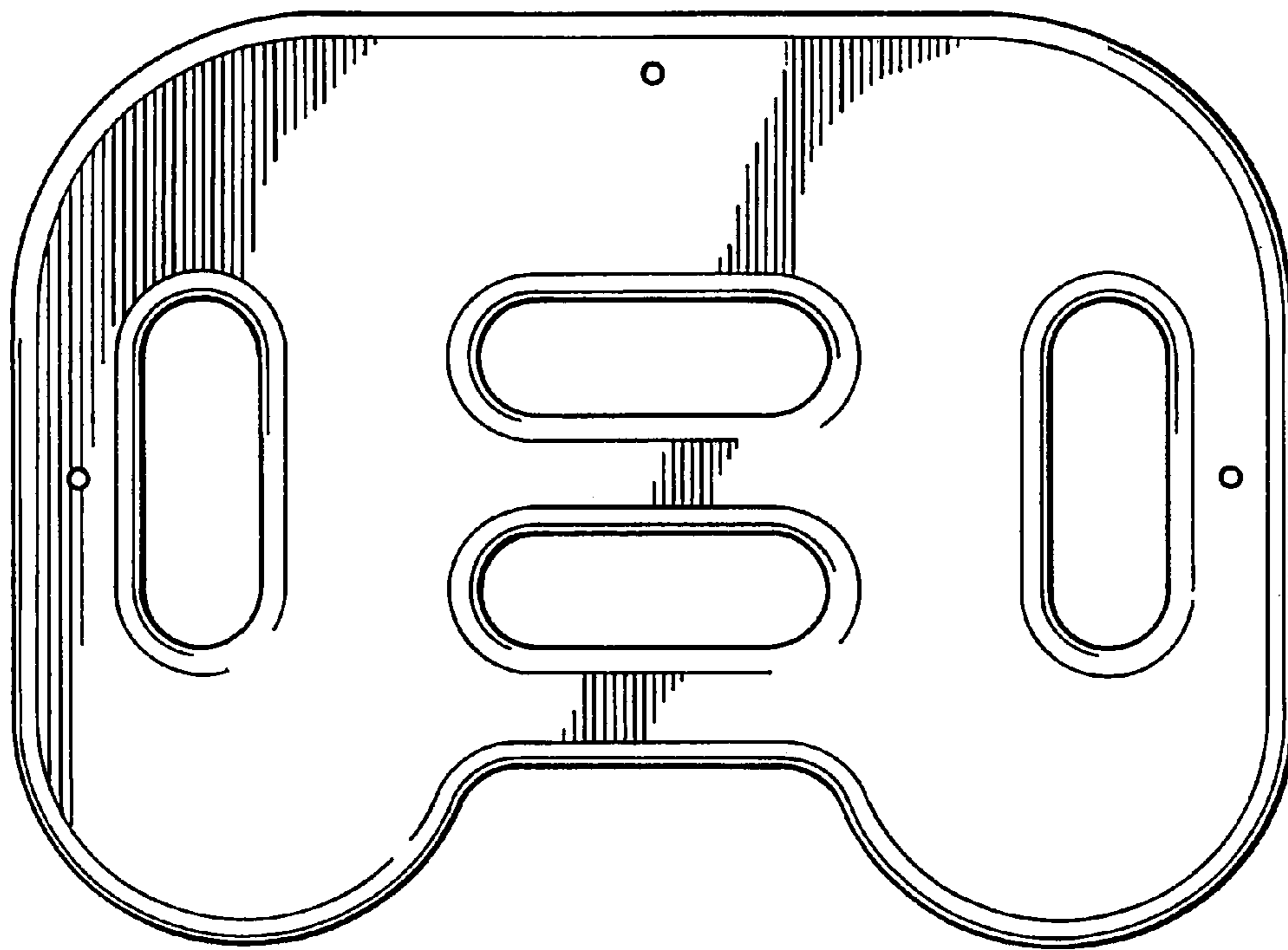


FIG. 7



FIG. 8



FIG. 9