



US00D741960S

(12) **United States Design Patent**
Campanaro et al.

(10) **Patent No.:** **US D741,960 S**
(45) **Date of Patent:** **** Oct. 27, 2015**

(54) **JUMPING EXERCISE DEVICE**

(56) **References Cited**

(71) Applicant: **Total Gym Global Corp.**, San Diego, CA (US)
(72) Inventors: **Thomas J. Campanaro**, Rancho Santa Fe, CA (US); **Jesse Thomas Campanaro**, San Diego, CA (US); **Dan McCutcheon**, San Diego, CA (US)
(73) Assignee: **Total Gym Global Corp.**, San Diego, CA (US)

U.S. PATENT DOCUMENTS

D251,079	S	*	2/1979	Shugarman	D21/676
D284,597	S	*	7/1986	Smith et al.	D21/676
D362,700	S	*	9/1995	Breibart et al.	D21/673
D382,319	S	*	8/1997	Gerschefske et al.	D21/674
D405,132	S	*	2/1999	Westfall et al.	D21/676
6,120,425	A	*	9/2000	Endelman	482/142
D431,615	S	*	10/2000	Webber et al.	D21/675
D438,918	S	*	3/2001	Batca et al.	D21/676
6,371,895	B1	*	4/2002	Endelman et al.	482/135
D481,428	S	*	10/2003	Giannelli et al.	D21/675
D493,853	S	*	8/2004	Campanaro et al.	D21/676
D556,274	S	*	11/2007	Morgan	D21/662
D608,401	S	*	1/2010	Campanaro et al.	D21/687
D612,000	S	*	3/2010	Campanaro et al.	D21/687

(**) Term: **14 Years**

(21) Appl. No.: **29/506,824**

(22) Filed: **Oct. 21, 2014**

(51) **LOC (10) Cl.** **21-02**

(52) **U.S. Cl.**
USPC **D21/676**

(58) **Field of Classification Search**
USPC D6/552; D21/686, 676, 687, 662, 674, D21/666, 673, 690, 679, 694, 691, 675, D21/688; 211/85.7; 206/579; 135/122; 52/83, 27; 482/145, 23, 2, 72, 57, 62, 482/60, 142, 104, 131, 96, 132, 135, 140, 482/121, 130, 95, 92, 73, 144, 143, 907, 482/128, 108, 908, 94, 106, 97, 123, 126, 482/38, 41, 133, 137, 35, 101, 147, 115, 482/138, 91, 70, 110, 52, 71, 8; 136/251; 290/55; 114/264, 382; 472/128; 606/241, 244; 108/4; 5/607, 624; 601/24, 242, 23; 248/300; 29/428
CPC A63B 21/0552; A63B 21/1492; A63B 22/001; A63B 23/0211; A63B 2208/0204; A63B 21/154

See application file for complete search history.

(Continued)

Primary Examiner — Robert M Spear

Assistant Examiner — Ryan Harvey

(74) *Attorney, Agent, or Firm* — Stephen C. Beuerle; Procopio Cory Hargreaves & Savitch LLP

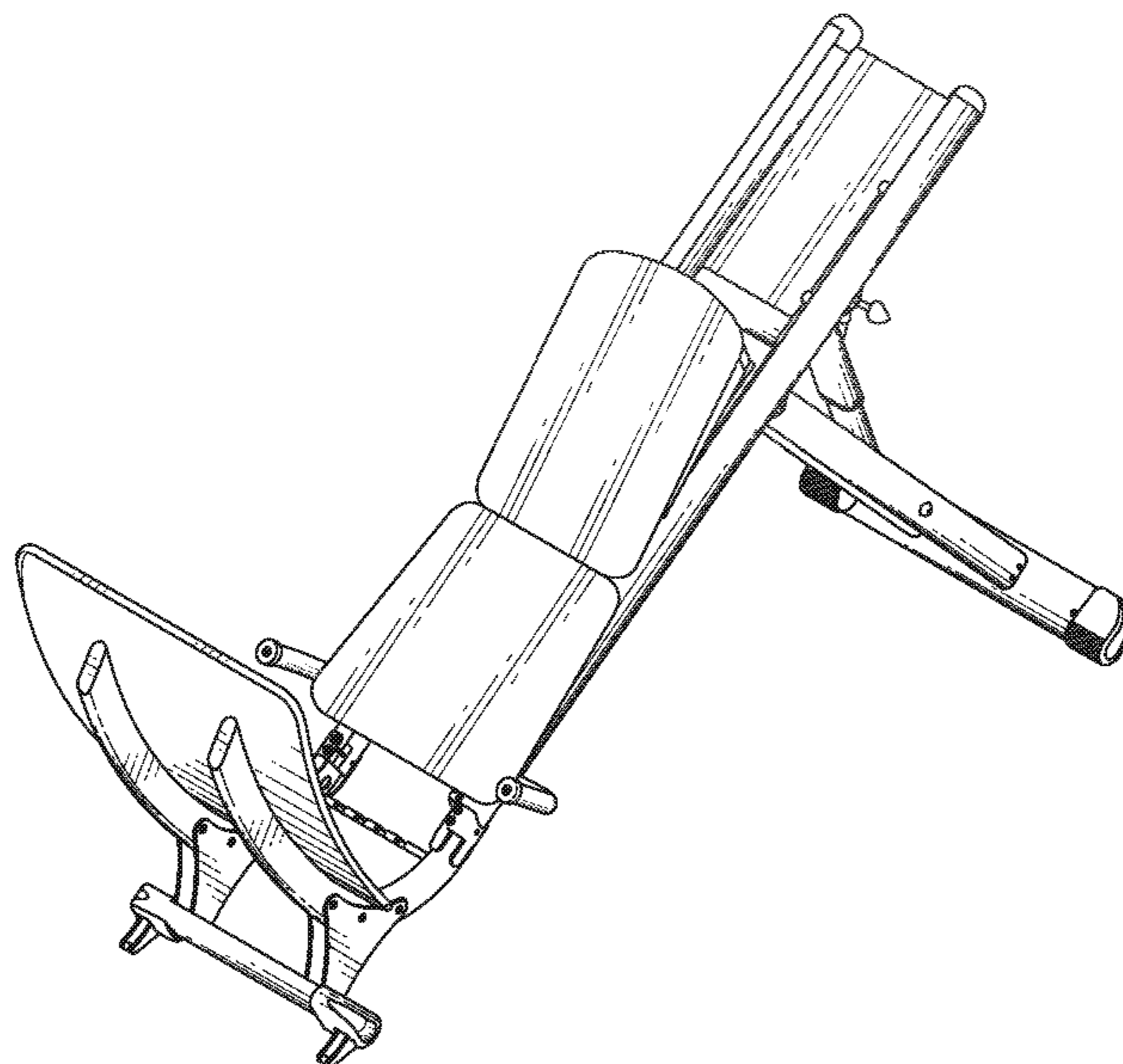
(57) **CLAIM**

The ornamental design for a jumping exercise device, as shown and described.

DESCRIPTION

FIG. 1 is a perspective view of the jumping exercise device; FIG. 2 is a front elevation view of the jumping exercise device; FIG. 3 is a rear elevation view of the jumping exercise device; FIG. 4 is a left side elevational view of the jumping exercise device; FIG. 5 is a right side elevational view of the jumping exercise device; FIG. 6 is a top plan view of the jumping exercise device; and, FIG. 7 is a bottom plan view of the exercise device.

1 Claim, 7 Drawing Sheets



(56)

References Cited

U.S. PATENT DOCUMENTS

D635,205 S *	3/2011	Thulin	D21/676	8,702,575 B2 *	4/2014	McVay et al.	482/142
8,033,971 B2 *	10/2011	Campanaro et al.	482/142	D726,263 S *	4/2015	Anderson	D21/676
8,075,457 B2 *	12/2011	Campanaro et al.	482/96	2001/0056011 A1 *	12/2001	Endelman et al.	482/121
D659,205 S *	5/2012	Endelman et al.	D21/686	2006/0019806 A1 *	1/2006	Mikulski	482/121
8,323,157 B2 *	12/2012	Campanaro et al.	482/96	2009/0163323 A1 *	6/2009	Bocchicchio	482/8
D694,347 S *	11/2013	Campanaro et al.	D21/676	2010/0227748 A1 *	9/2010	Campanaro et al.	482/140
D703,279 S *	4/2014	Ho	D21/673	2012/0053028 A1 *	3/2012	Campanaro et al.	482/131
				2014/0141948 A1 *	5/2014	Aronson et al.	482/128
				2014/0194260 A1 *	7/2014	Campanaro et al.	482/131

* cited by examiner

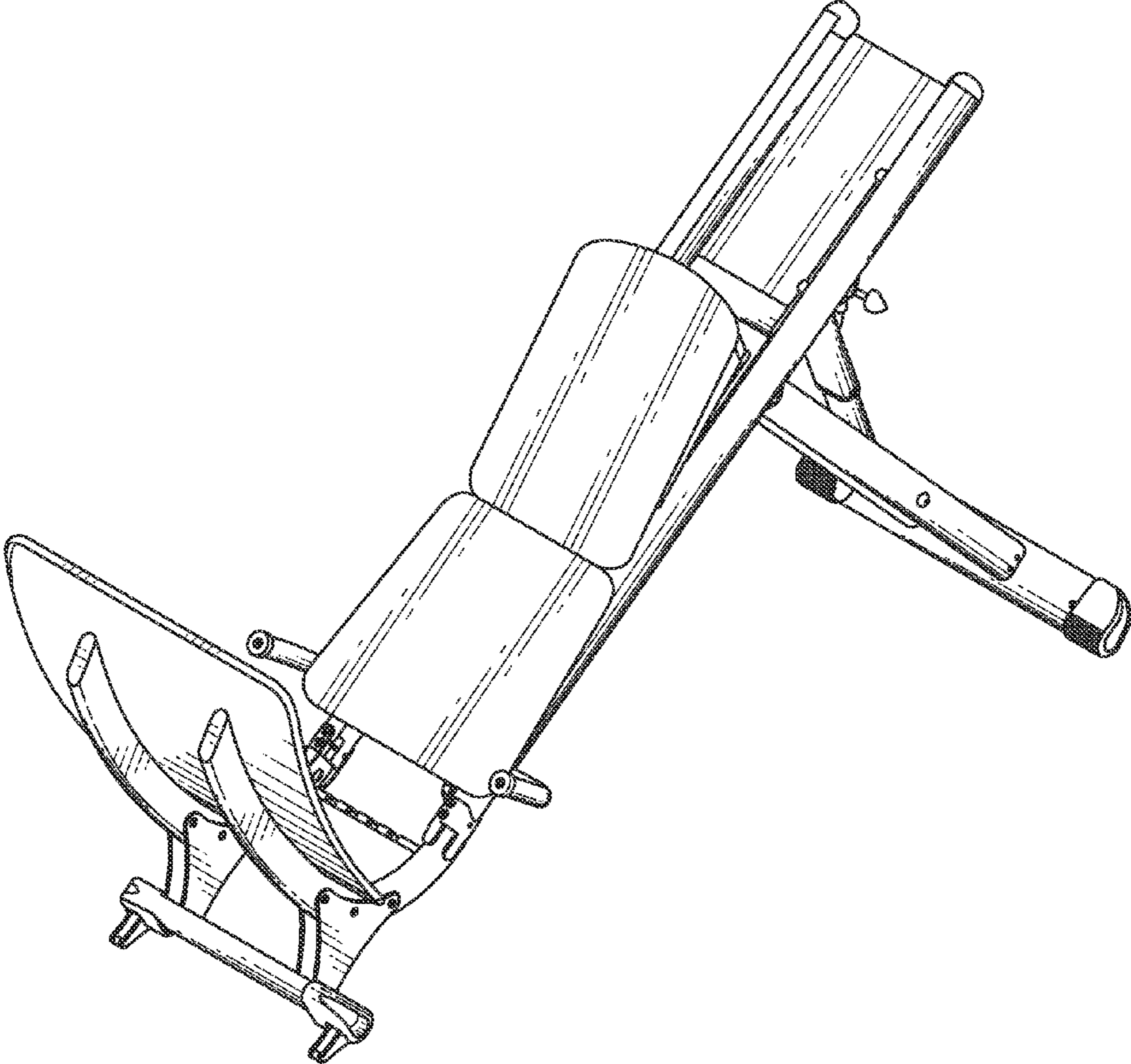


FIG. 1

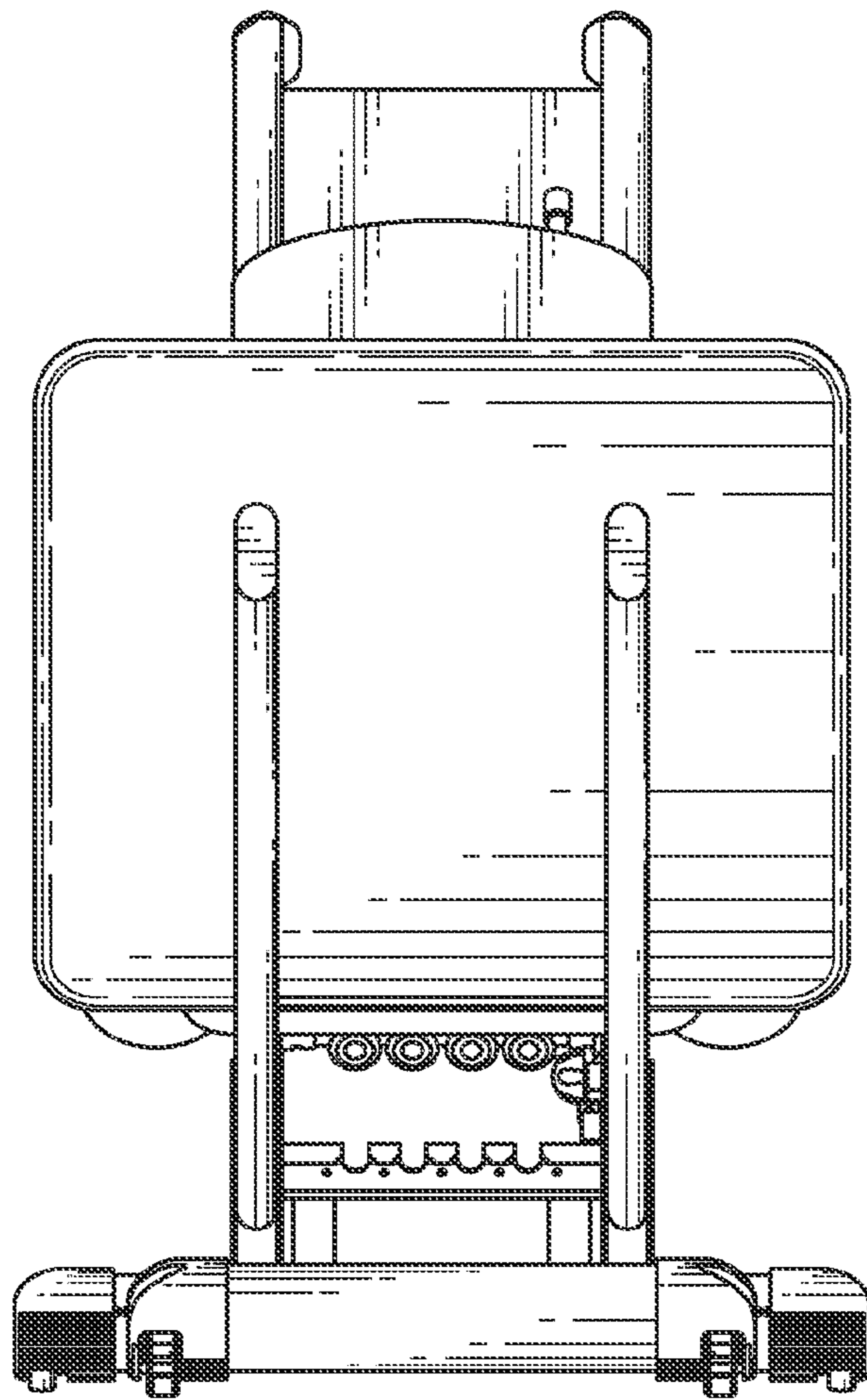


FIG. 2

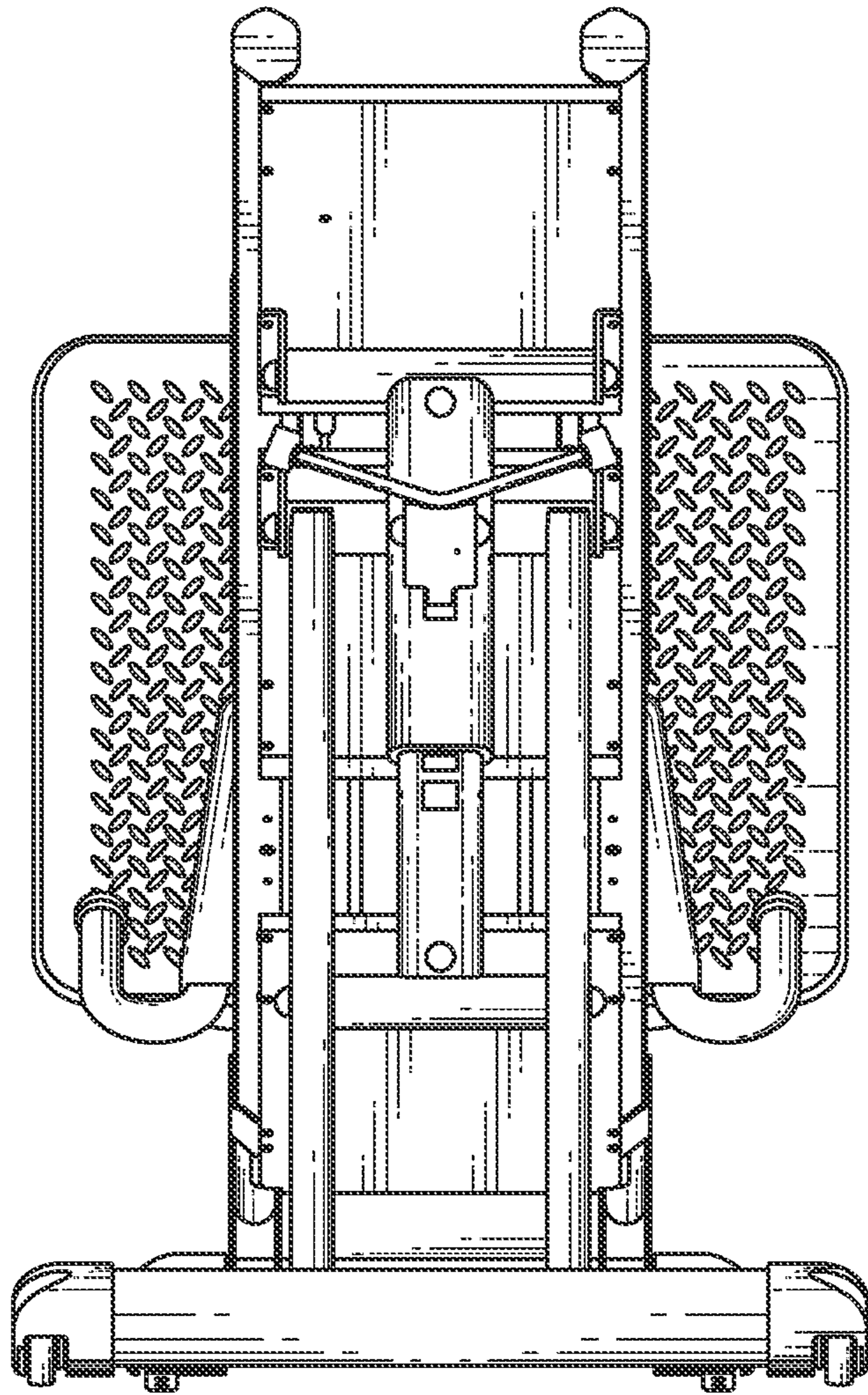


FIG. 3

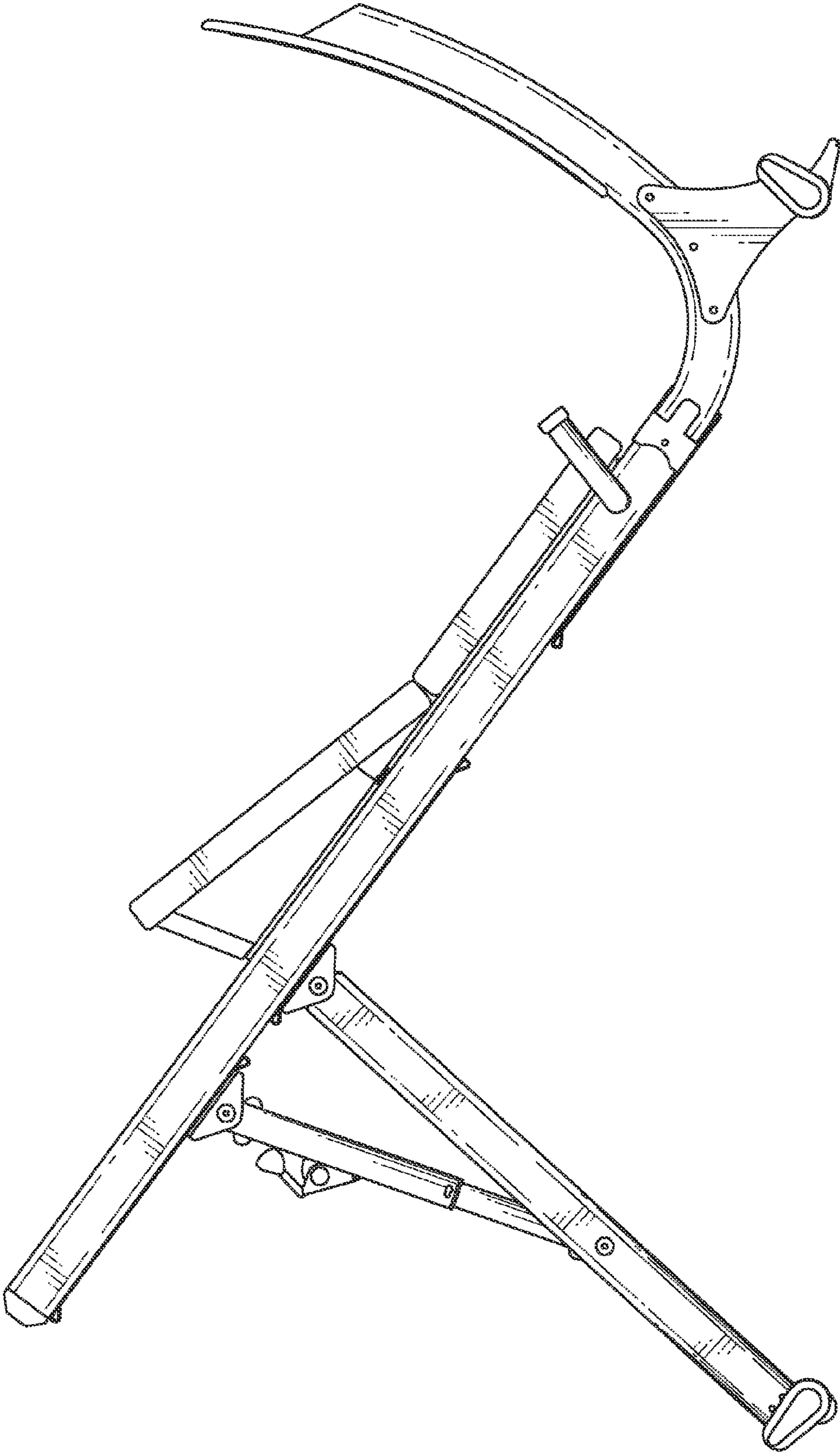


FIG. 4

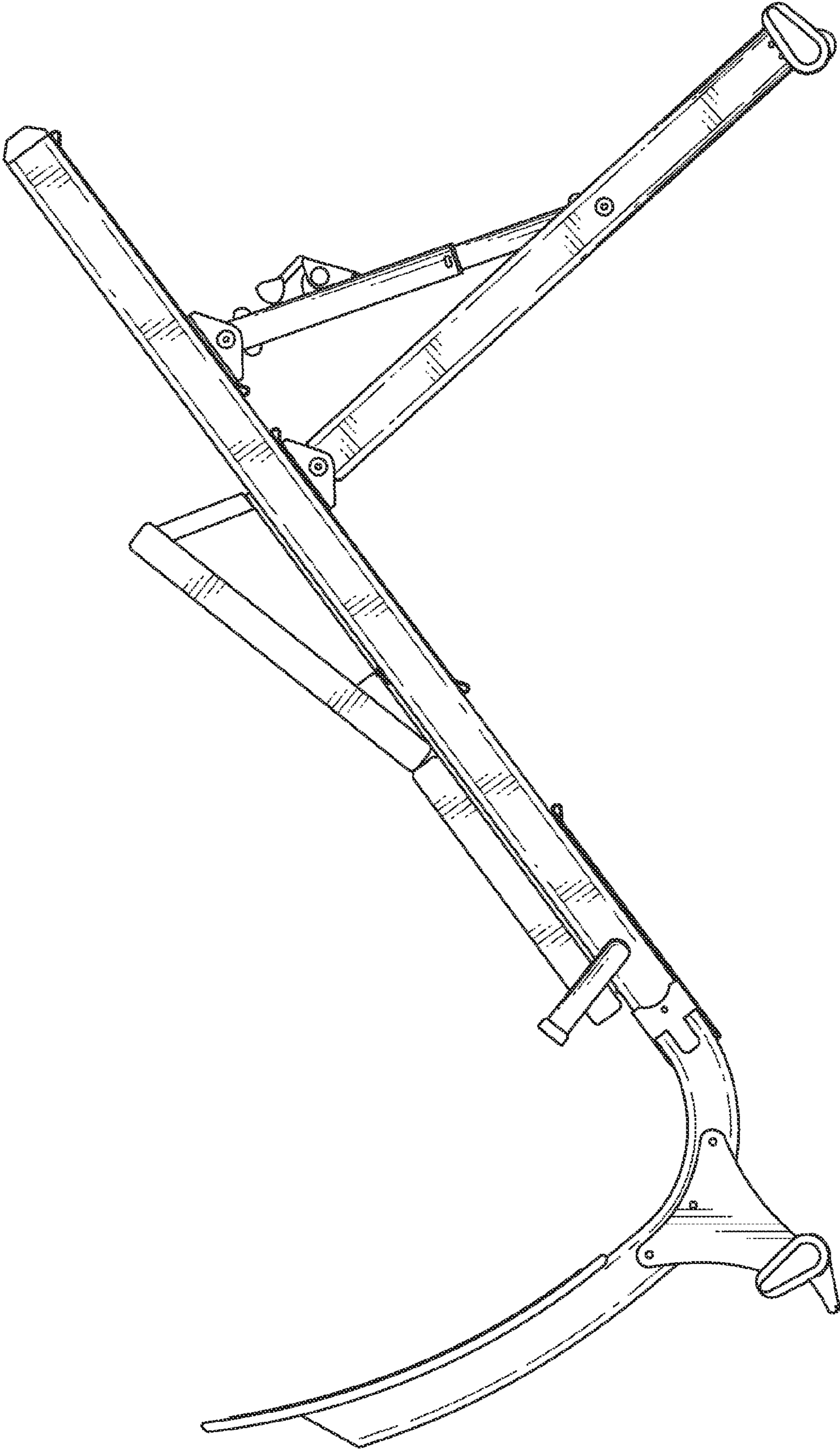


FIG. 5

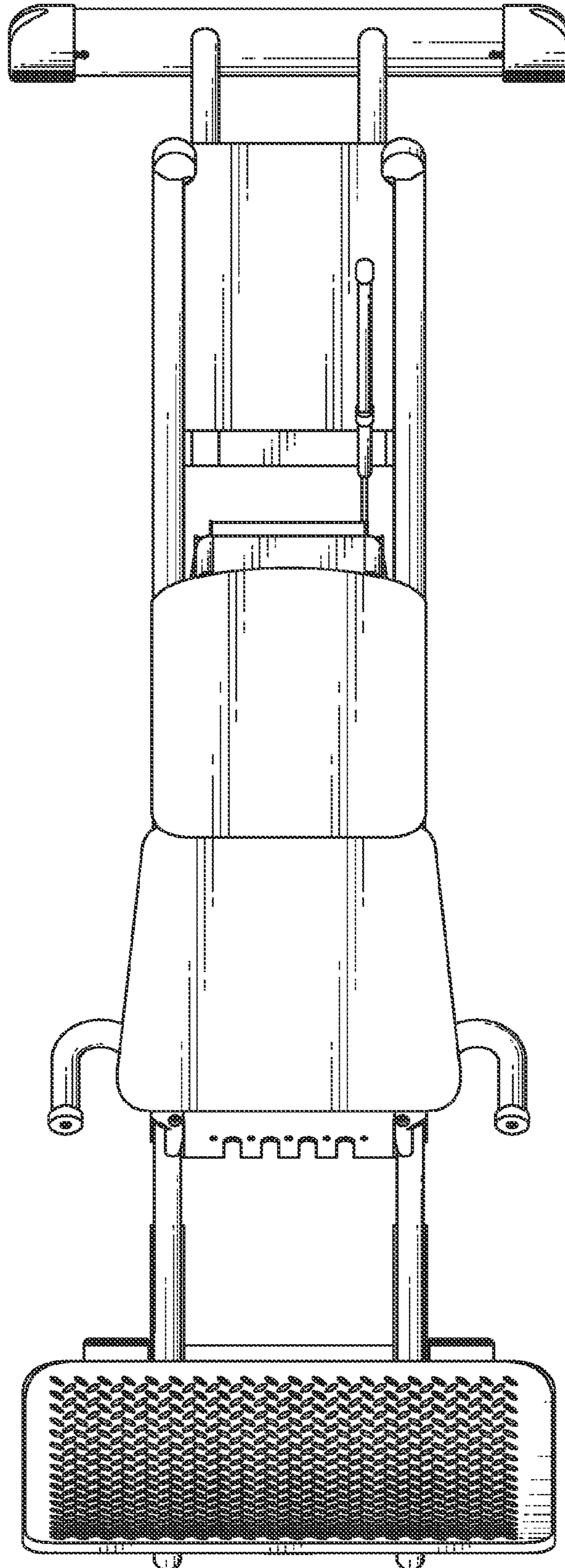


FIG. 6

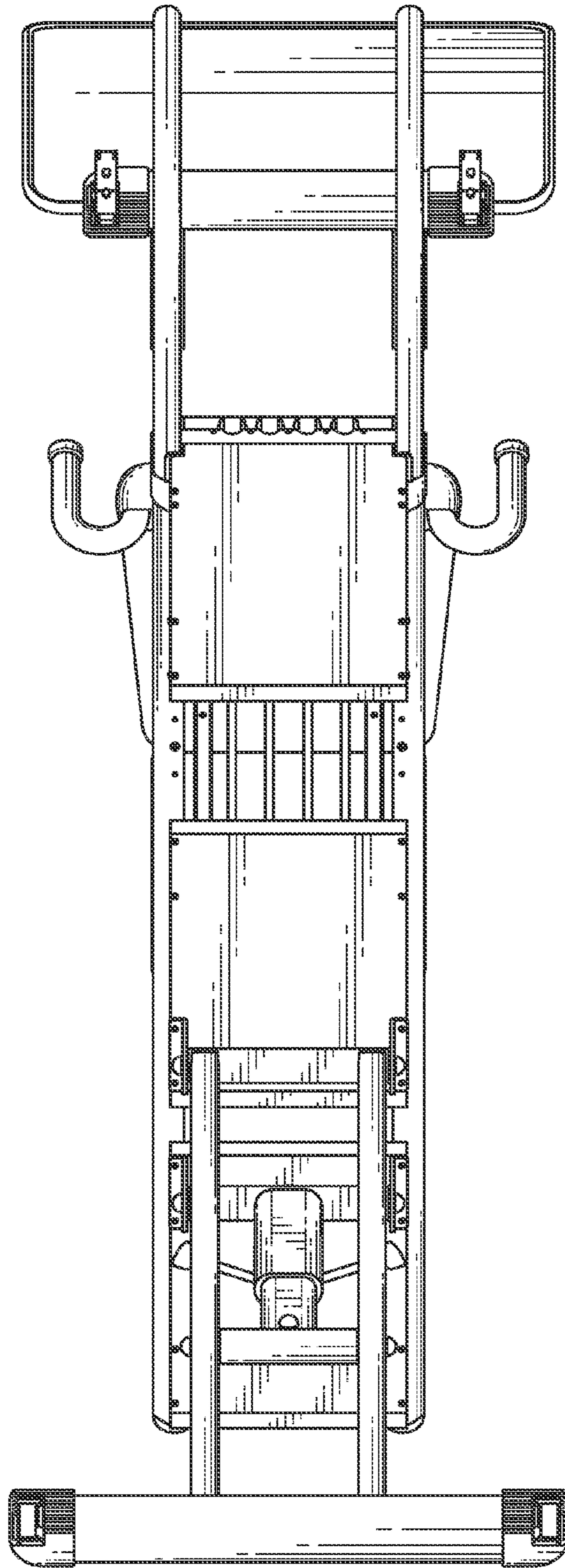


FIG. 7