



US00D741958S

(12) **United States Design Patent**
Coulter

(10) **Patent No.:** **US D741,958 S**

(45) **Date of Patent:** **** Oct. 27, 2015**

(54) **PAINTBALL GUN RATCHET**

(76) Inventor: **Todd Coulter**, Memphis, TN (US)

(**) Term: **14 Years**

(21) Appl. No.: **29/415,946**

(22) Filed: **Mar. 15, 2012**

(51) **LOC (10) Cl.** **21-01**

(52) **U.S. Cl.**
USPC **D21/573**

(58) **Field of Classification Search**

USPC D21/567, 570-575; D22/100, 101, 103,
D22/104, 108, 109; 124/41.1, 45, 48, 49,
124/51.1, 52, 55, 56, 59, 69, 70-74, 79, 82;
D8/25

See application file for complete search history.

(56) **References Cited**

U.S. PATENT DOCUMENTS

6,609,511	B2 *	8/2003	Kotsiopoulos et al.	124/51.1
D577,270	S *	9/2008	Roose	D8/25
D606,822	S *	12/2009	Zhan	D8/25
7,694,669	B2 *	4/2010	Campo	124/51.1
8,118,015	B2 *	2/2012	Tran	124/51.1
8,136,515	B2 *	3/2012	Galinson	124/59
2006/0054151	A1 *	3/2006	Christopher et al.	124/48
2007/0101981	A1 *	5/2007	Chen	124/51.1
2009/0133680	A1 *	5/2009	Christopher et al.	124/51.1
2010/0126485	A1 *	5/2010	Neumaster	124/51.1

OTHER PUBLICATIONS

Tippmann Vortex Mod SS, Available and reviewed online May 19, 2011, <http://www.techpaintball.com/Detail.aspx?PROD=177607&CAT=4219>.*

TechT Paintball Cyclone Vortex Mod Installation uploaded by Hustle Paintball on YouTube Mar. 5, 2010 <http://www.youtube.com/watch?v=E9ubKivD6qA>.*

Installing TechT Vortex Mod uploaded by Krasharpshooter on YouTube Nov. 27, 2008 <http://www.youtube.com/watch?v=h7HTP6JmZ2s>.*

* cited by examiner

Primary Examiner — Cynthia M Chin

(74) *Attorney, Agent, or Firm* — QuickPatents; Kevin Prince

(57) **CLAIM**

I claim the ornamental design for a paintball gun ratchet, as shown and described.

DESCRIPTION

FIG. 1 is an exploded perspective view of a paintball gun ratchet, showing my new design;

FIG. 2 is a perspective view of FIG. 1;

FIG. 3 is a front elevational view of a ratchet housing of FIG. 1, a ratchet gear, a pin and a set screw being omitted for clarity of illustration;

FIG. 4 is a rear elevational view of FIG. 3;

FIG. 5 is a right-side elevational view of FIG. 3;

FIG. 6 is a left-side elevational view of FIG. 3;

FIG. 7 is a top plan view of FIG. 3;

FIG. 8 is a bottom plan view of FIG. 3;

FIG. 9 is a front elevational view of the pin of FIG. 1, the rear elevational view, top plan view, and bottom plan view all being a mirror image thereof;

FIG. 10 is a right-side elevational view of FIG. 9;

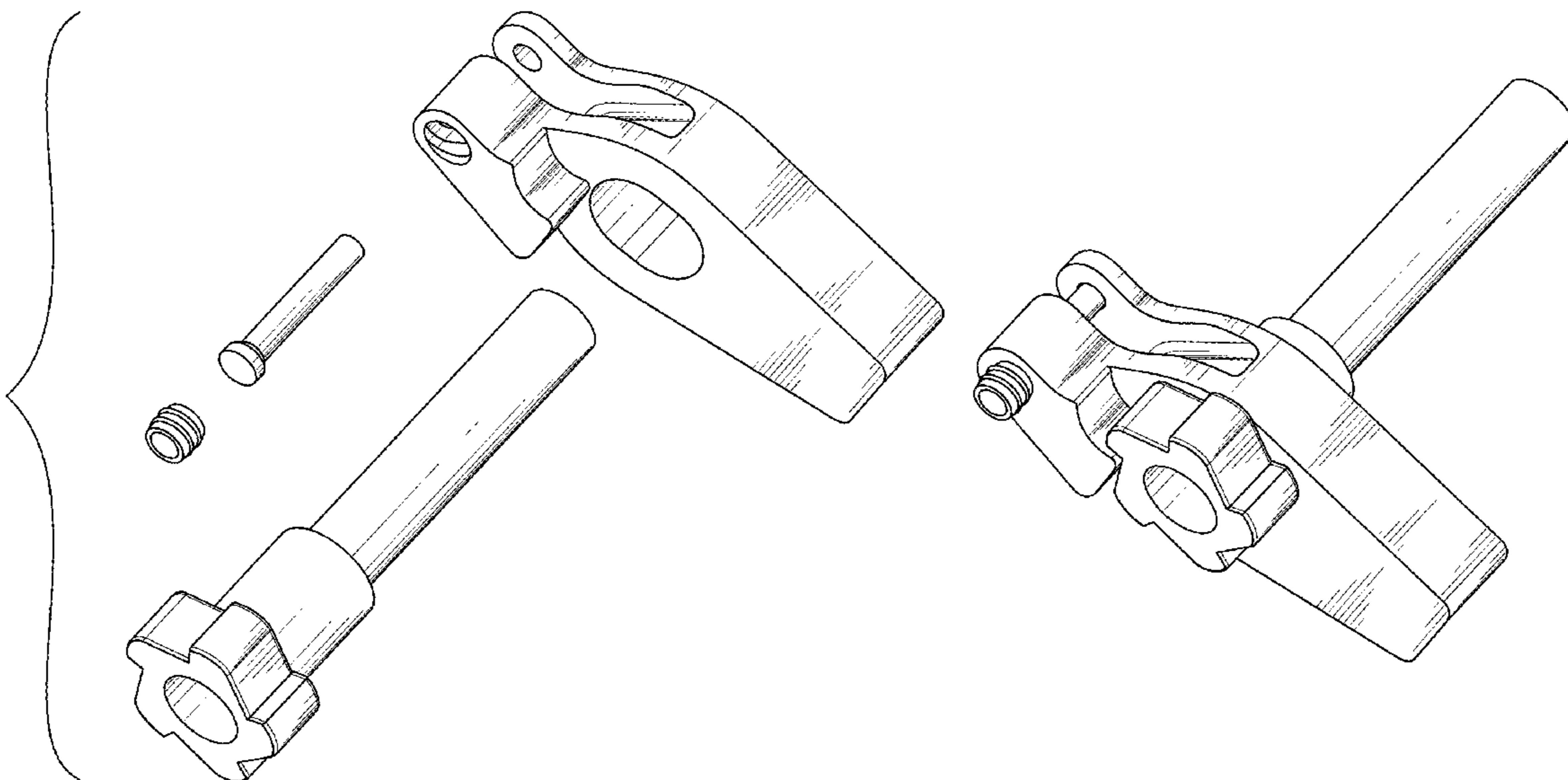
FIG. 11 is a left-side elevational view of FIG. 9;

FIG. 12 is a front elevational view of the pin of FIG. 1, the rear elevational view being a reverse image of the front, and the bottom plan view being a reverse image of the top thereof; and,

FIG. 13 is a right-side elevational view of FIG. 9, the left-side elevational view being a mirror image thereof.

The broken lines in the drawings illustrate environmental matter that forms no part of the claimed design.

1 Claim, 3 Drawing Sheets



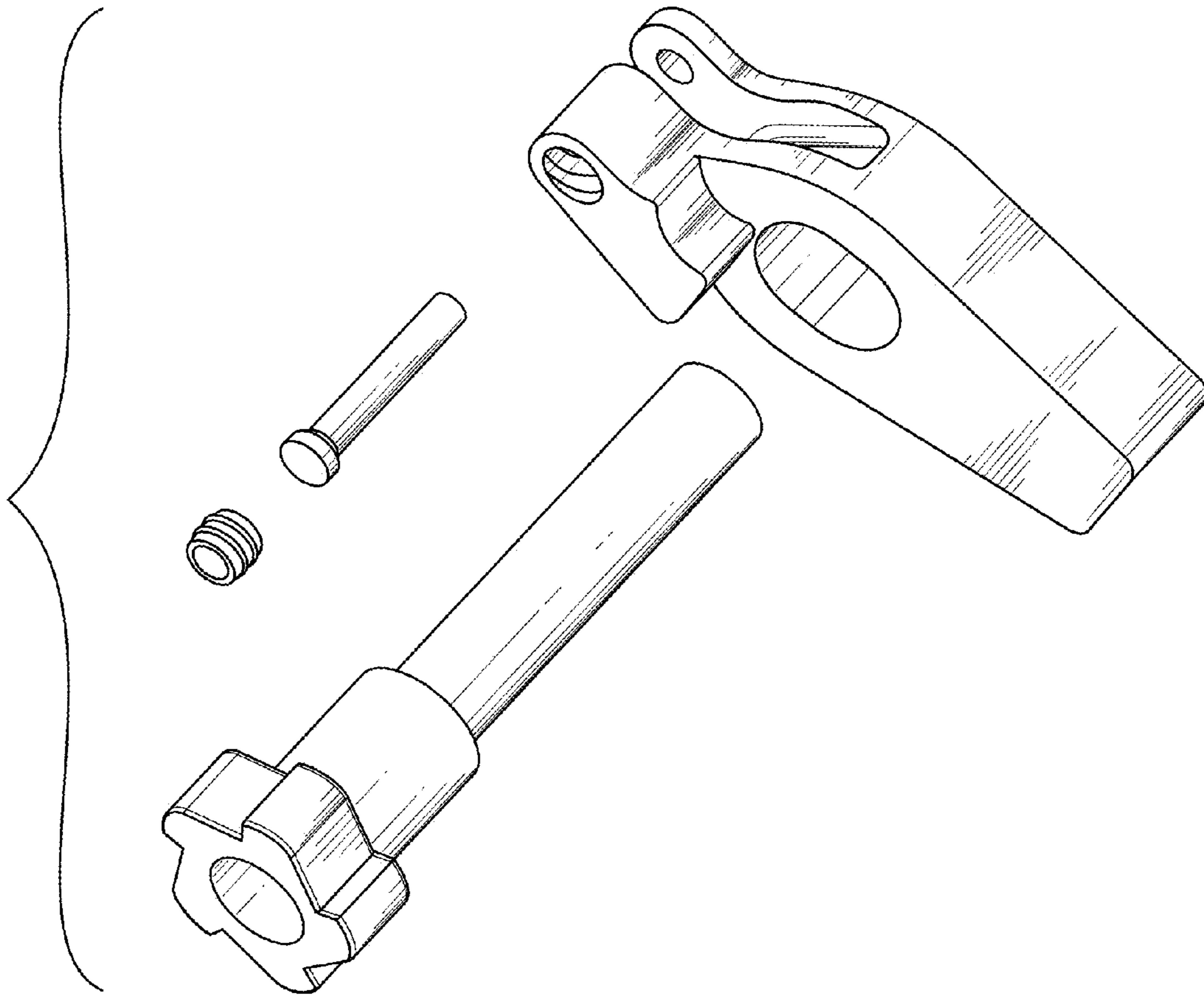


FIG. 1

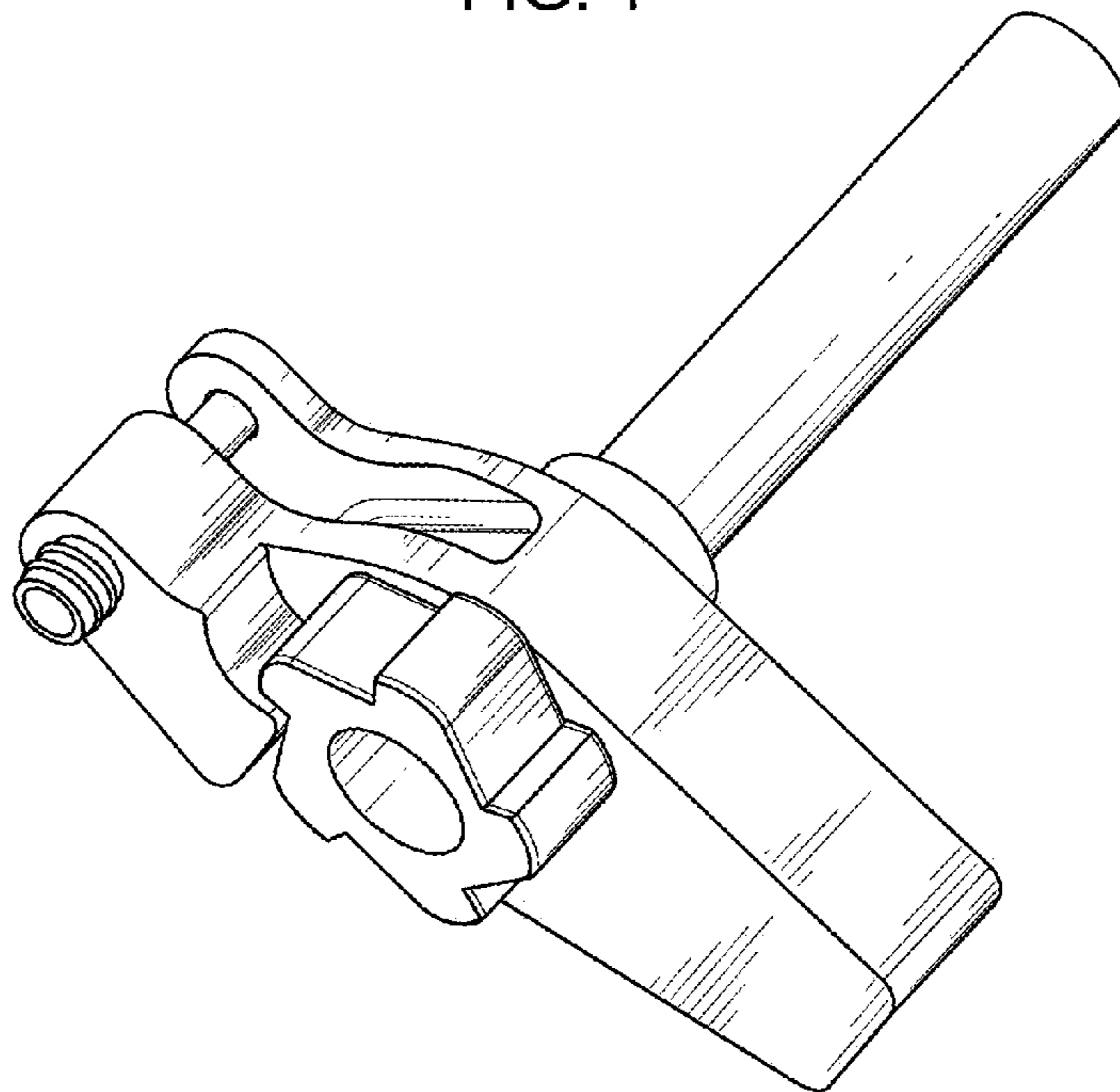


FIG. 2

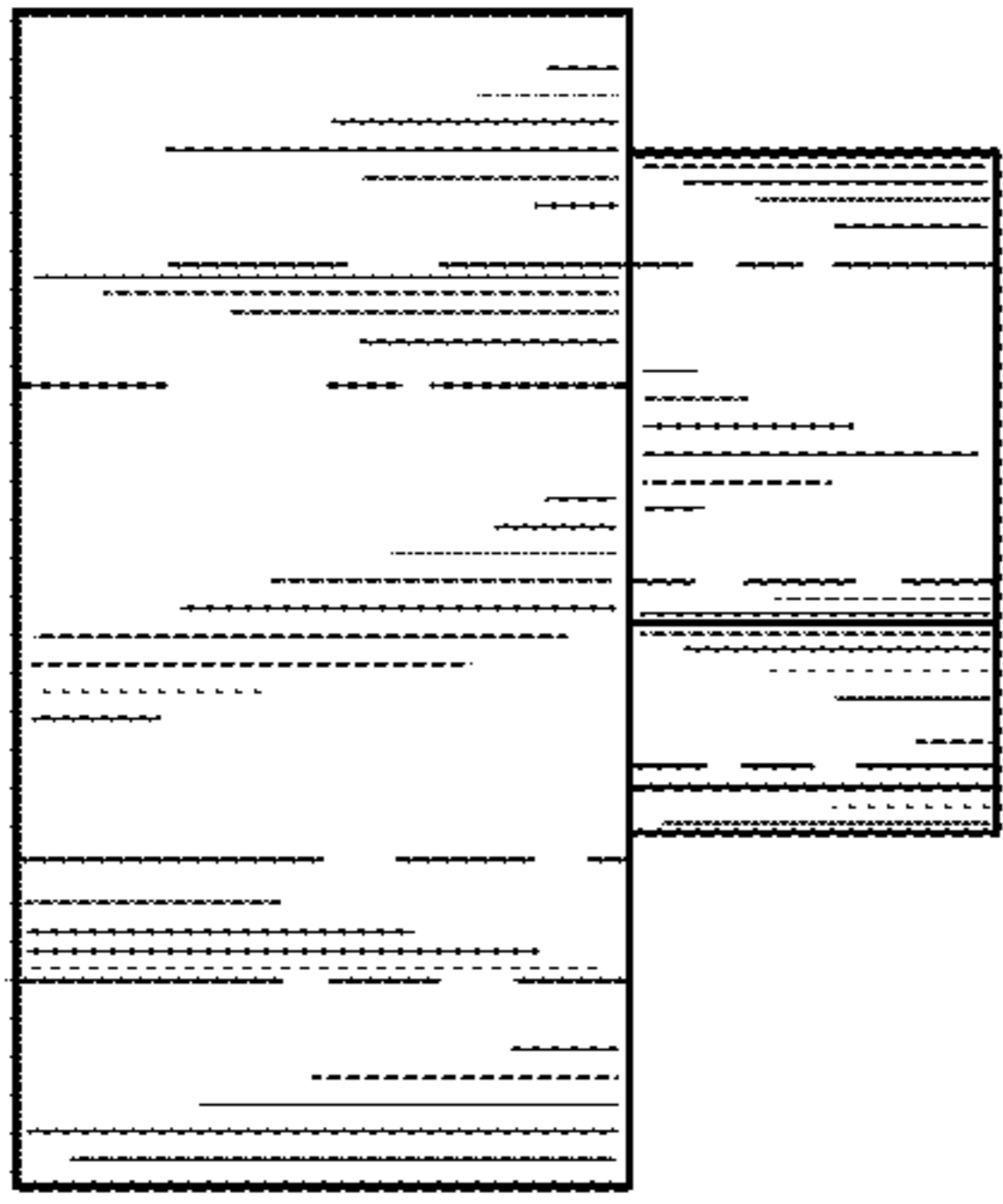


FIG. 3

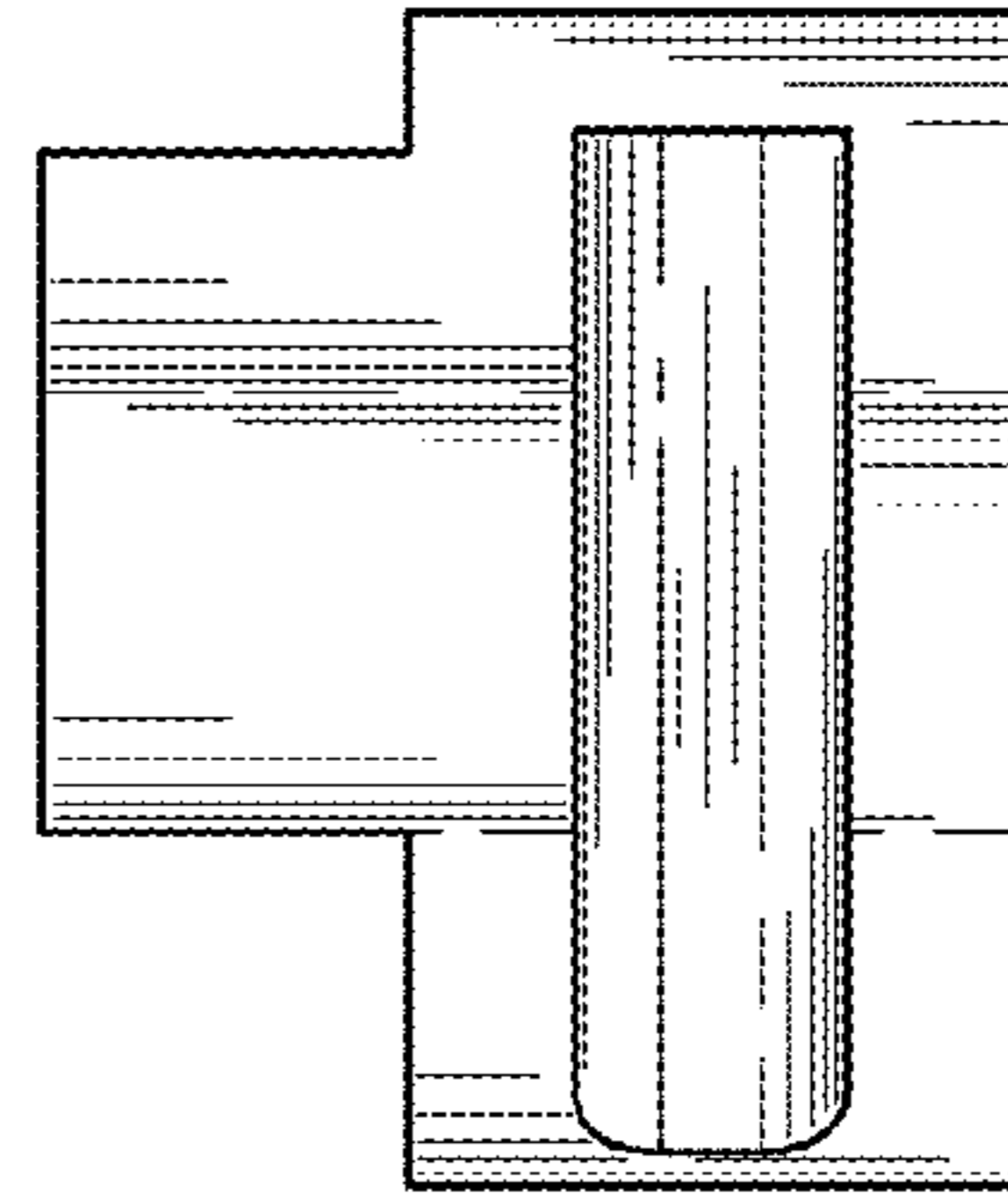


FIG. 4

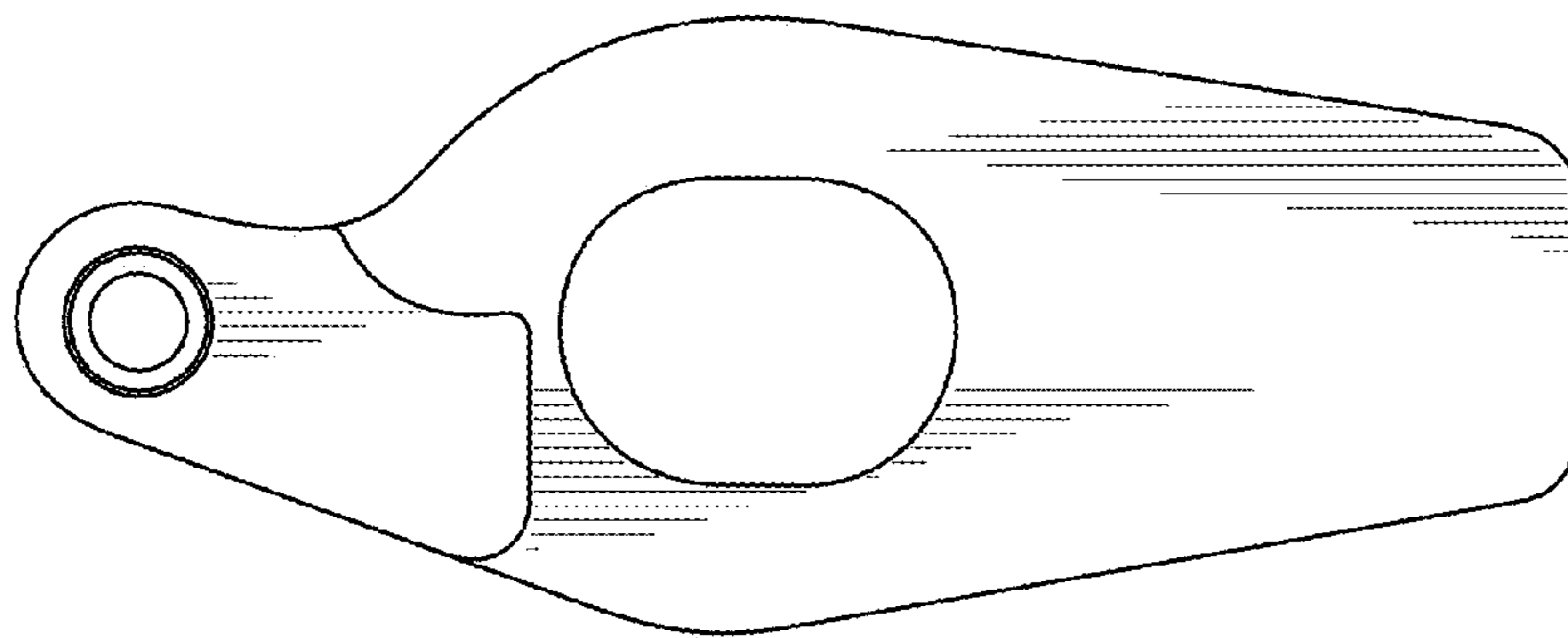


FIG. 5

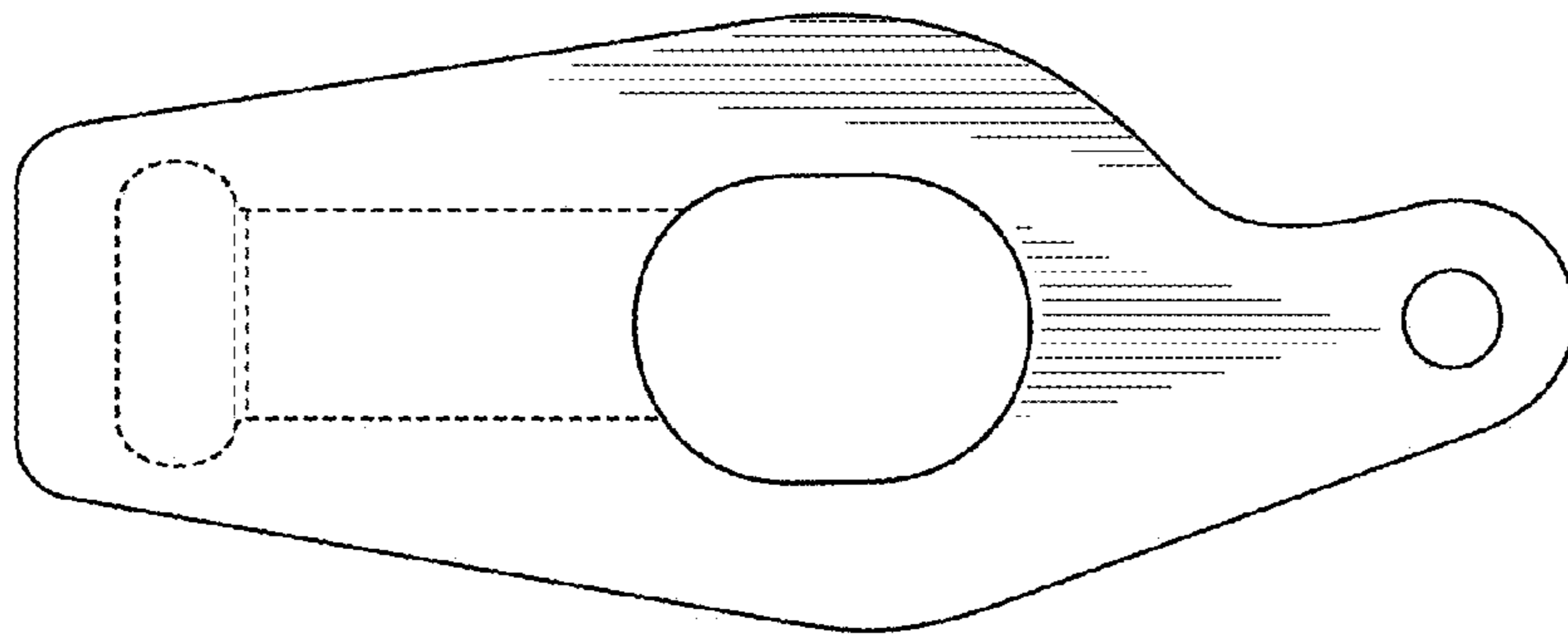


FIG. 6

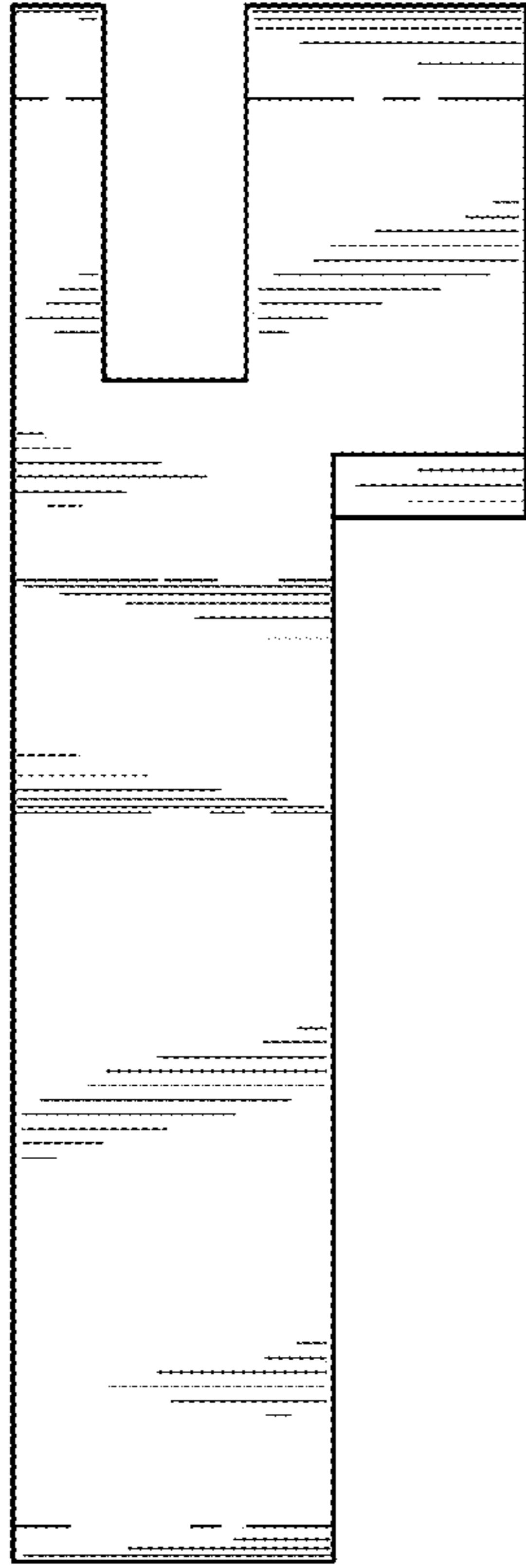


FIG. 7

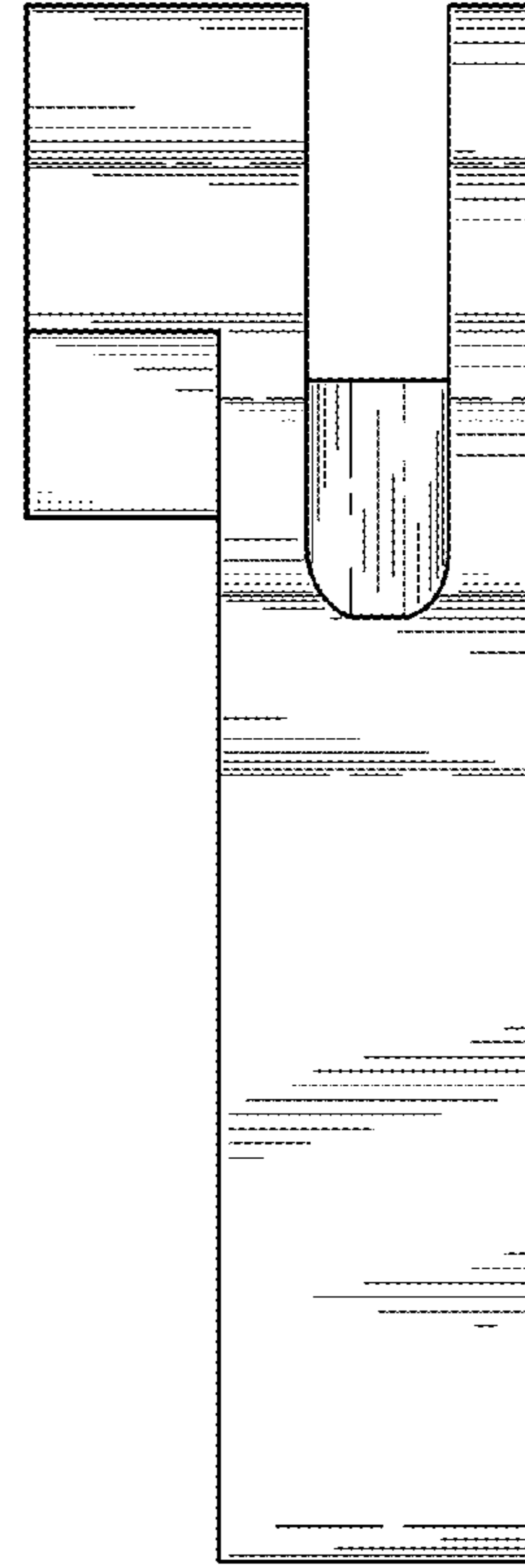


FIG. 8

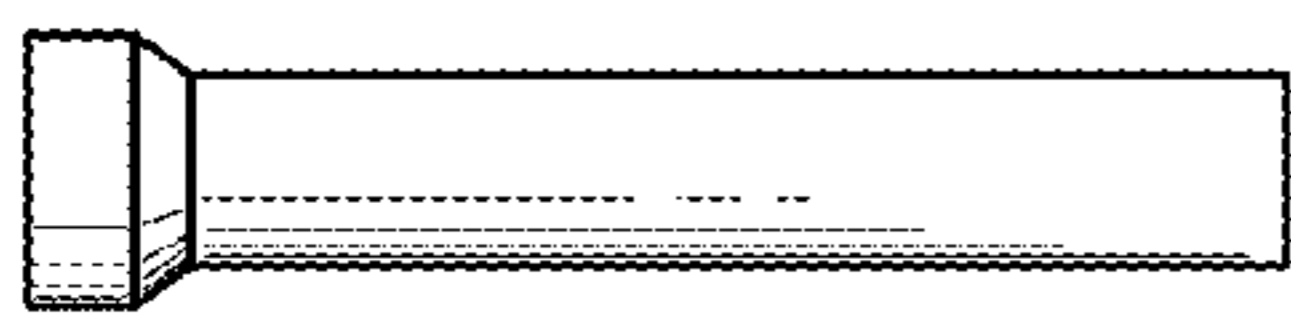


FIG. 9

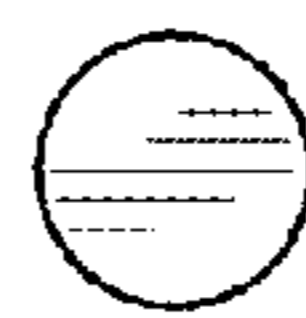


FIG. 10



FIG. 11



FIG. 12



FIG. 13