



US00D741957S

(12) **United States Design Patent**  
**Beauregard et al.**

(10) **Patent No.:** **US D741,957 S**  
(45) **Date of Patent:** **\*\* Oct. 27, 2015**

- (54) **TRACK ELEMENT**
- (71) Applicant: **MEGA Brands Inc.**, Montreal (CA)
- (72) Inventors: **Thierry Beauregard**, Boisbriand (CA);  
**Jean-Philippe Oligny-Lemieux**,  
Montréal (CA); **Yannick Poirier**,  
Valleyfield (CA)
- (73) Assignee: **MEGA Brands Inc.**, Montreal, Quebec  
(CA)

- D344,310 S 2/1994 Ruskai
- D344,992 S 3/1994 Ruskai
- 5,657,695 A 8/1997 Lanoix et al.
- D409,690 S 5/1999 Nielsen
- D409,691 S 5/1999 Harms
- D411,594 S 6/1999 Harms
- D412,949 S 8/1999 Nielsen
- 5,967,052 A 10/1999 Prokopf
- D554,203 S 10/2007 Knight et al.

(Continued)

(\*\*) Term: **14 Years**

(21) Appl. No.: **29/501,146**

(22) Filed: **Sep. 2, 2014**

(51) **LOC (10) Cl.** ..... **21-01**

(52) **U.S. Cl.**  
USPC ..... **D21/565**

(58) **Field of Classification Search**  
USPC ..... D21/484, 490, 493, 494, 495, 509, 564,  
D21/565, 802, 818, 821; 446/168-174, 84,  
446/89, 108, 112, 114, 116, 124-128, 429,  
446/444-447; 463/58-69; 238/10 R,  
238/10 A-10 C, 10 E, 10 F; 104/60, 69  
CPC ..... A63H 19/24; A63H 19/28; A63H 19/30;  
A63H 19/32; A63H 19/36; A63H 21/00;  
A63H 21/02; A63H 21/04; A63H 18/00;  
A63H 18/02; A63H 18/021; A63H 18/025;  
A63H 18/028; A63H 18/04; A63H 18/06;  
A63H 18/16

See application file for complete search history.

(56) **References Cited**

**U.S. PATENT DOCUMENTS**

- 4,408,413 A 10/1983 Hyland et al.
- D285,224 S 8/1986 Olsen
- D285,325 S 8/1986 Berggreen
- D314,996 S 2/1991 Olsen

**OTHER PUBLICATIONS**

Excerpt of Mega Bloks 2004 Product Catalog, including cover and 2 unnumbered pages.

(Continued)

*Primary Examiner* — Cynthia M Chin

(74) *Attorney, Agent, or Firm* — Plumsea Law Group, LLC

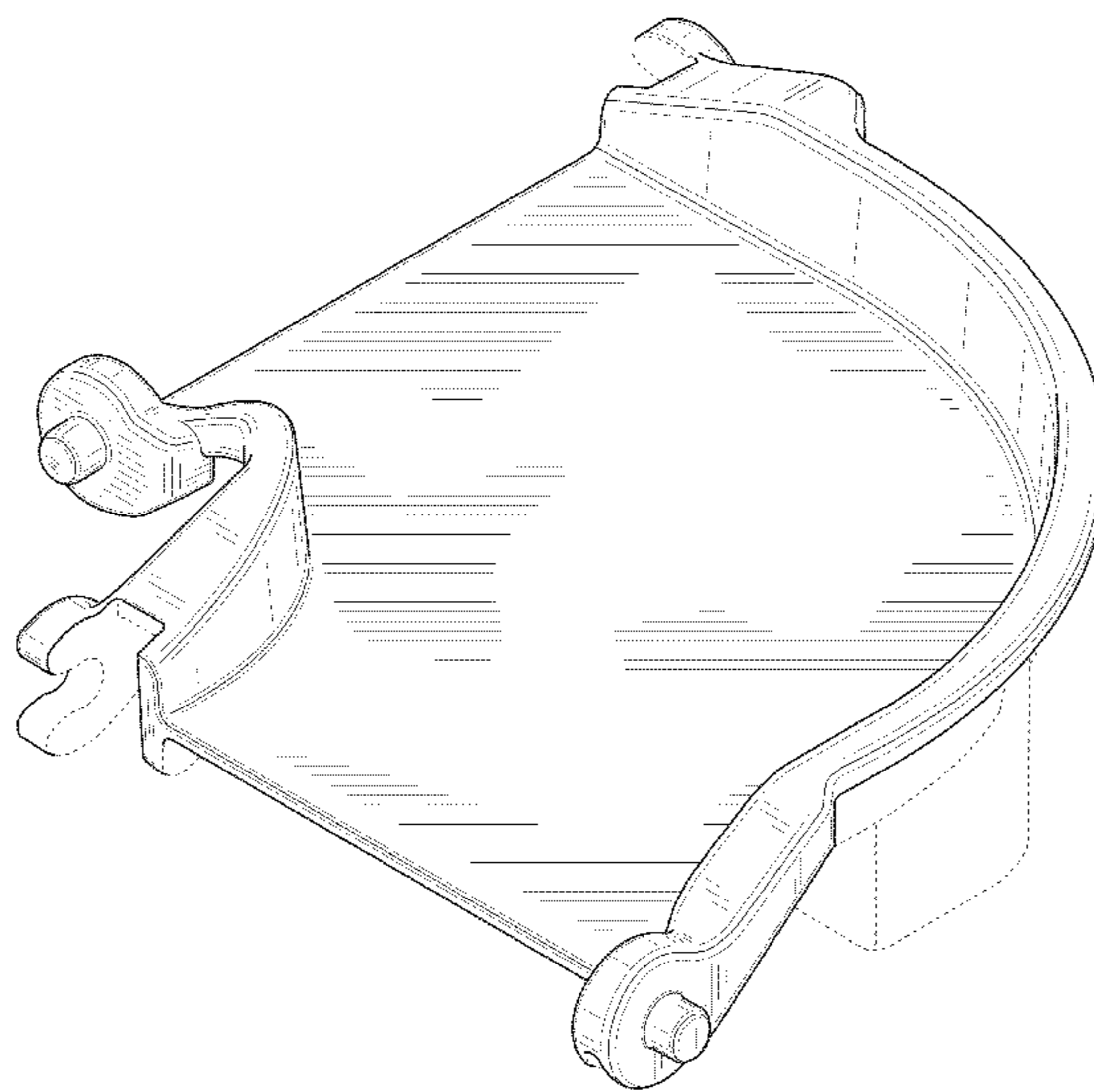
(57) **CLAIM**

The ornamental design for a track element, as shown and described.

**DESCRIPTION**

FIG. 1 is a top front perspective view of a track element showing the new design;  
FIG. 2 is a front side elevational view of the track element of FIG. 1;  
FIG. 3 is a rear side elevational view of the track element of FIG. 1;  
FIG. 4 is a right side elevational view of the track element of FIG. 1;  
FIG. 5 is a left side elevational view of the track element of FIG. 1;  
FIG. 6 is a top plan view of the track element of FIG. 1; and,  
FIG. 7 is a bottom plan view of the track element of FIG. 1.  
The broken lines and unshaded areas form no part of the claimed design.

**1 Claim, 7 Drawing Sheets**



(56)

**References Cited**

U.S. PATENT DOCUMENTS

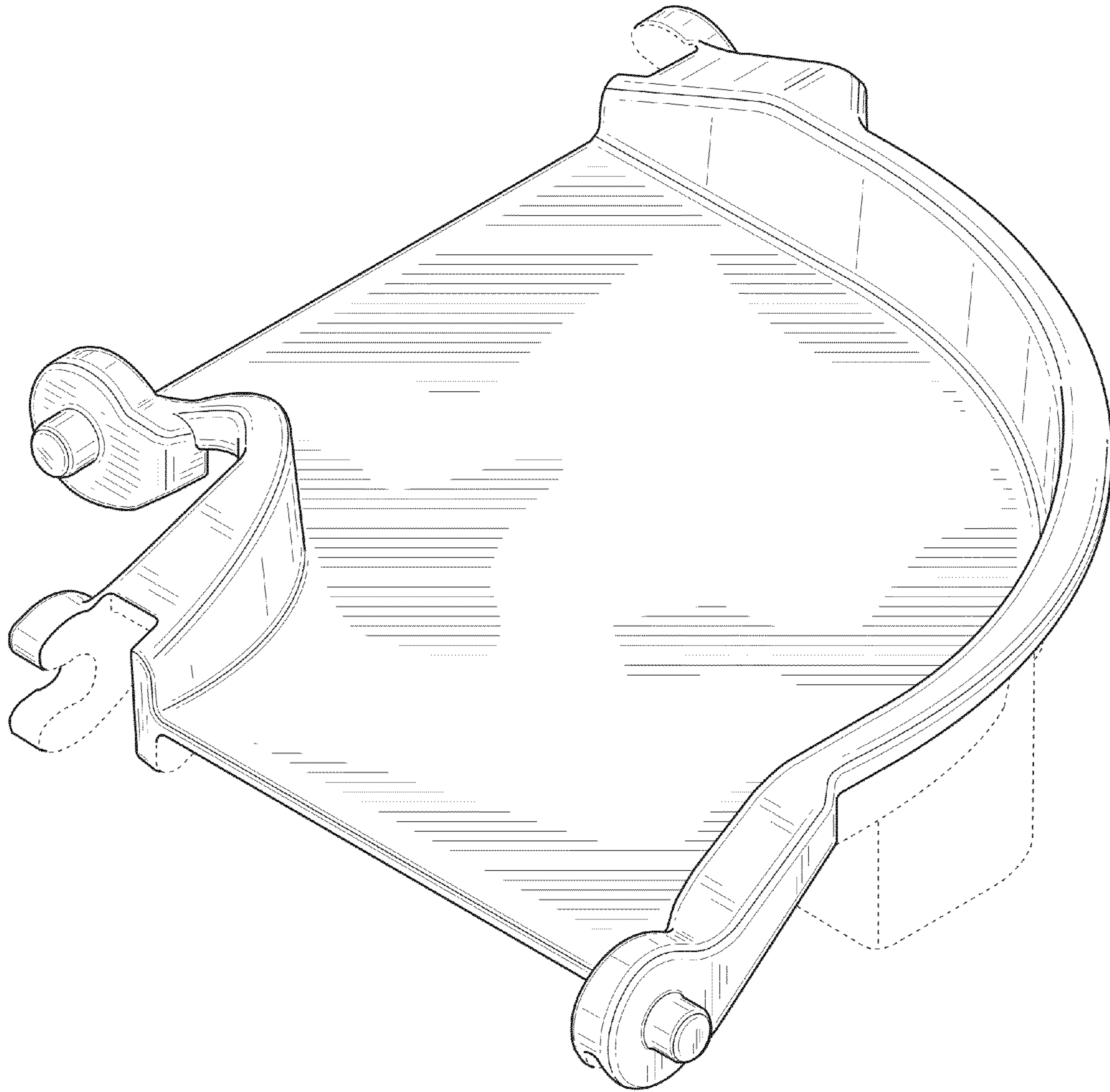
D555,210 S 11/2007 Knight et al.  
D555,211 S 11/2007 Knight et al.  
D555,212 S 11/2007 Knight et al.  
7,618,301 B2 11/2009 Knight et al.  
7,651,398 B2 1/2010 Ostendorff et al.  
7,938,068 B2 5/2011 Parker et al.  
D640,330 S 6/2011 Beauregard et al.  
D640,331 S 6/2011 Beauregard et al.  
D640,332 S 6/2011 Beauregard et al.  
D640,333 S 6/2011 Beauregard et al.  
D644,696 S \* 9/2011 Mimlitch et al. .... D21/565  
D645,913 S 9/2011 Beauregard et al.

D660,380 S \* 5/2012 Glickman ..... D21/565  
8,298,038 B2 10/2012 O'Connor et al.  
D692,070 S \* 10/2013 Mimlitch et al. .... D21/565  
D707,757 S \* 6/2014 Mimlitch et al. .... D21/565  
D715,377 S \* 10/2014 Cunningham ..... D21/565

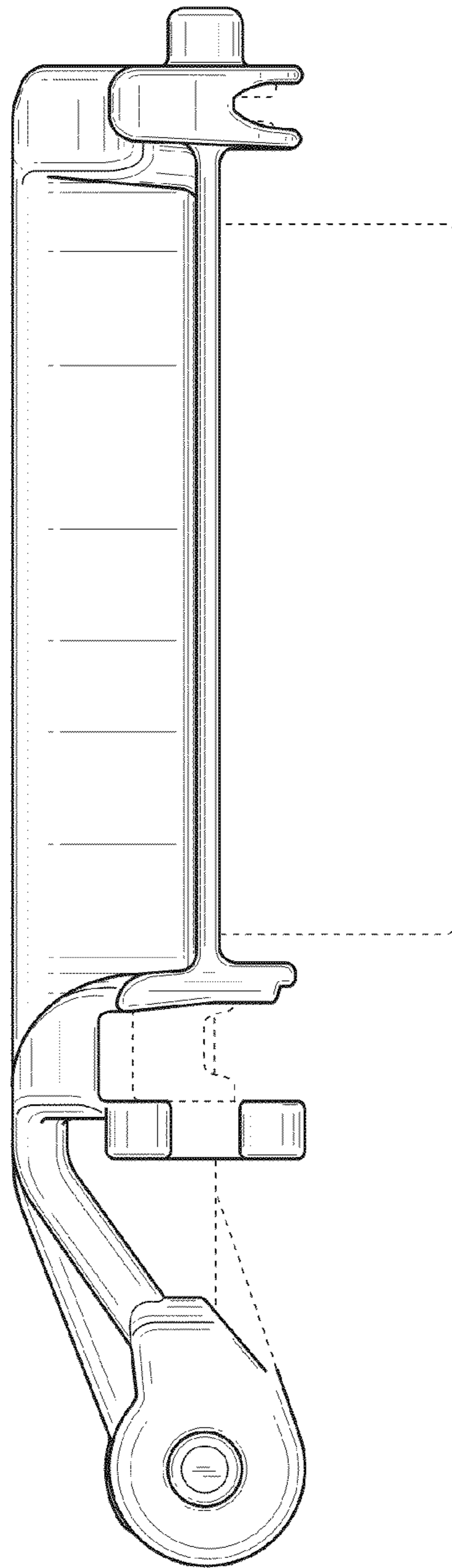
OTHER PUBLICATIONS

Excerpt of Mega Bloks 2005 Product Catalog, including cover, p. 12,  
and 1 unnumbered page.  
Excerpt of Mega Bloks 2011 Product Catalog, including cover and 13  
unnumbered pages.  
Excerpt of Mega Bloks 2012 Product Catalog, including pp. 35-43.

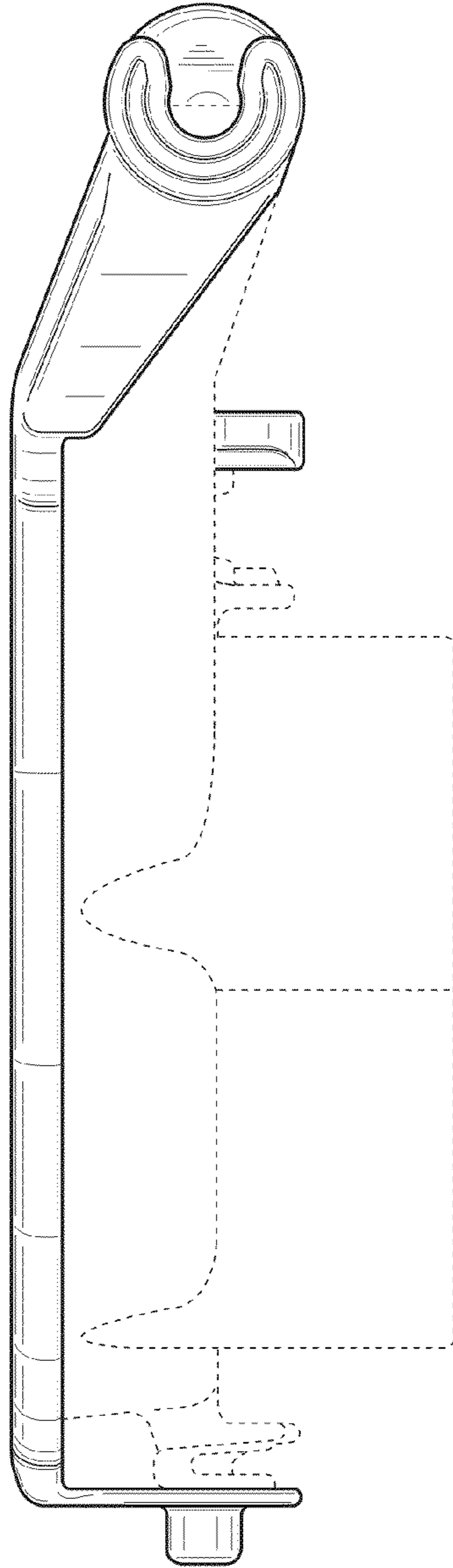
\* cited by examiner



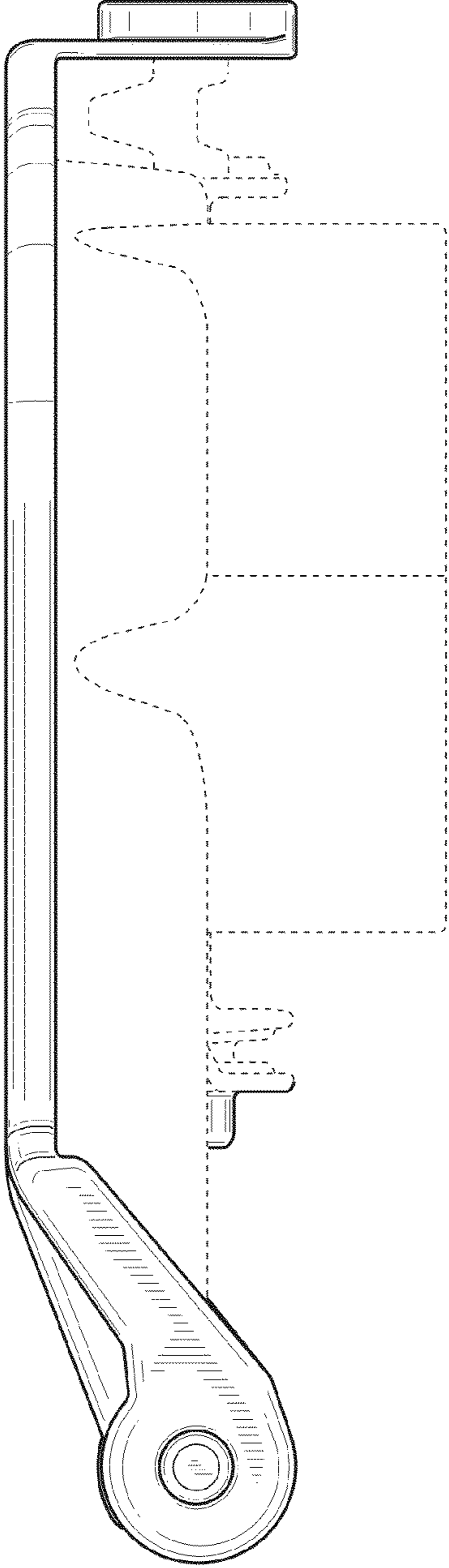
**FIG. 1**



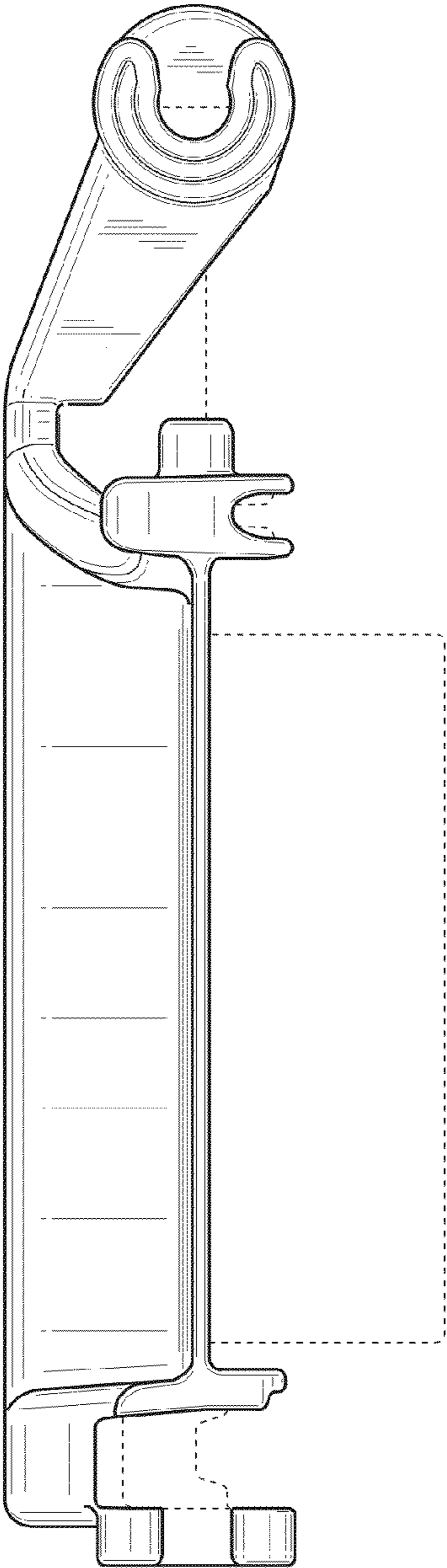
**FIG. 2**



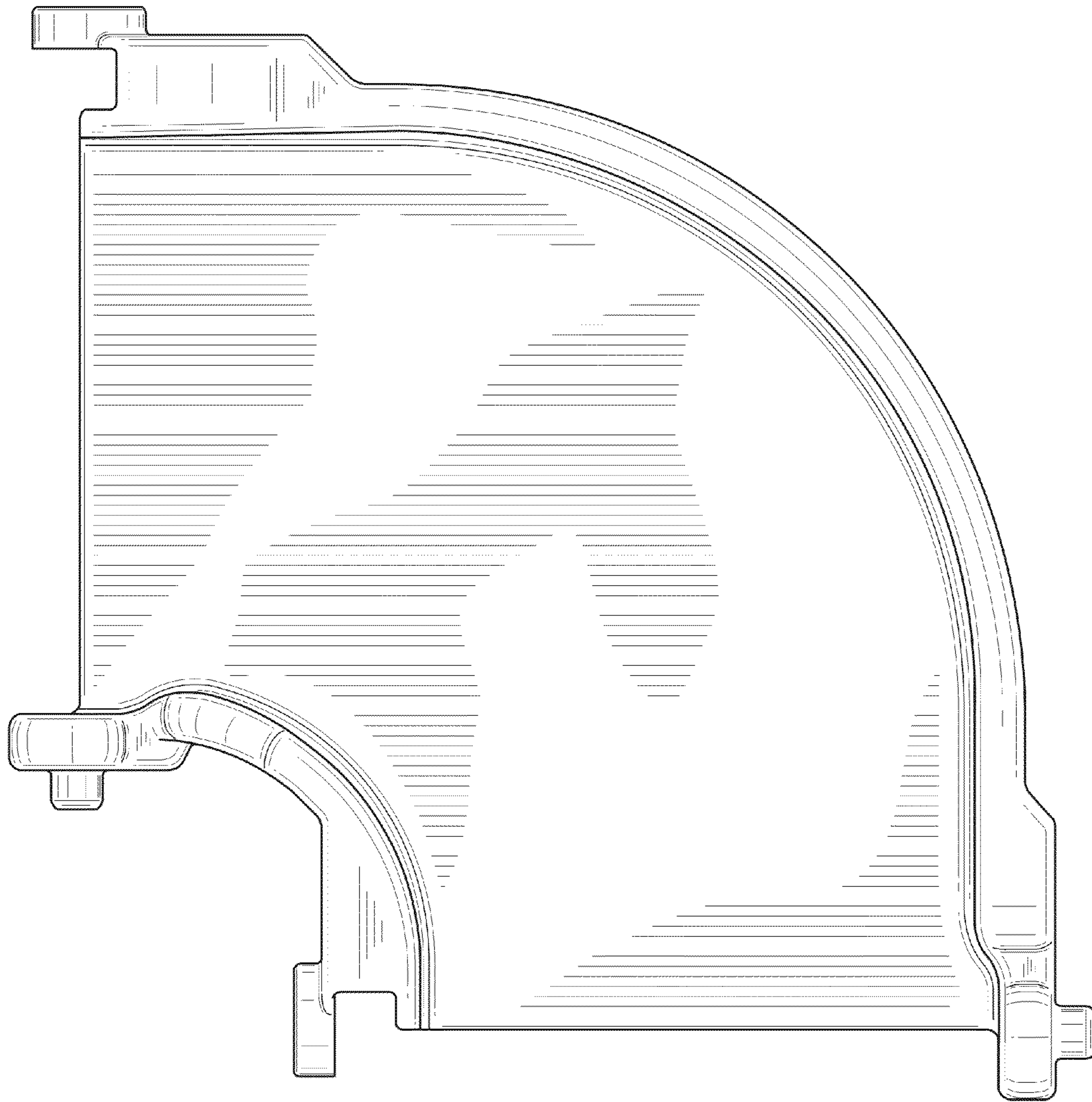
**FIG. 3**



**FIG. 4**

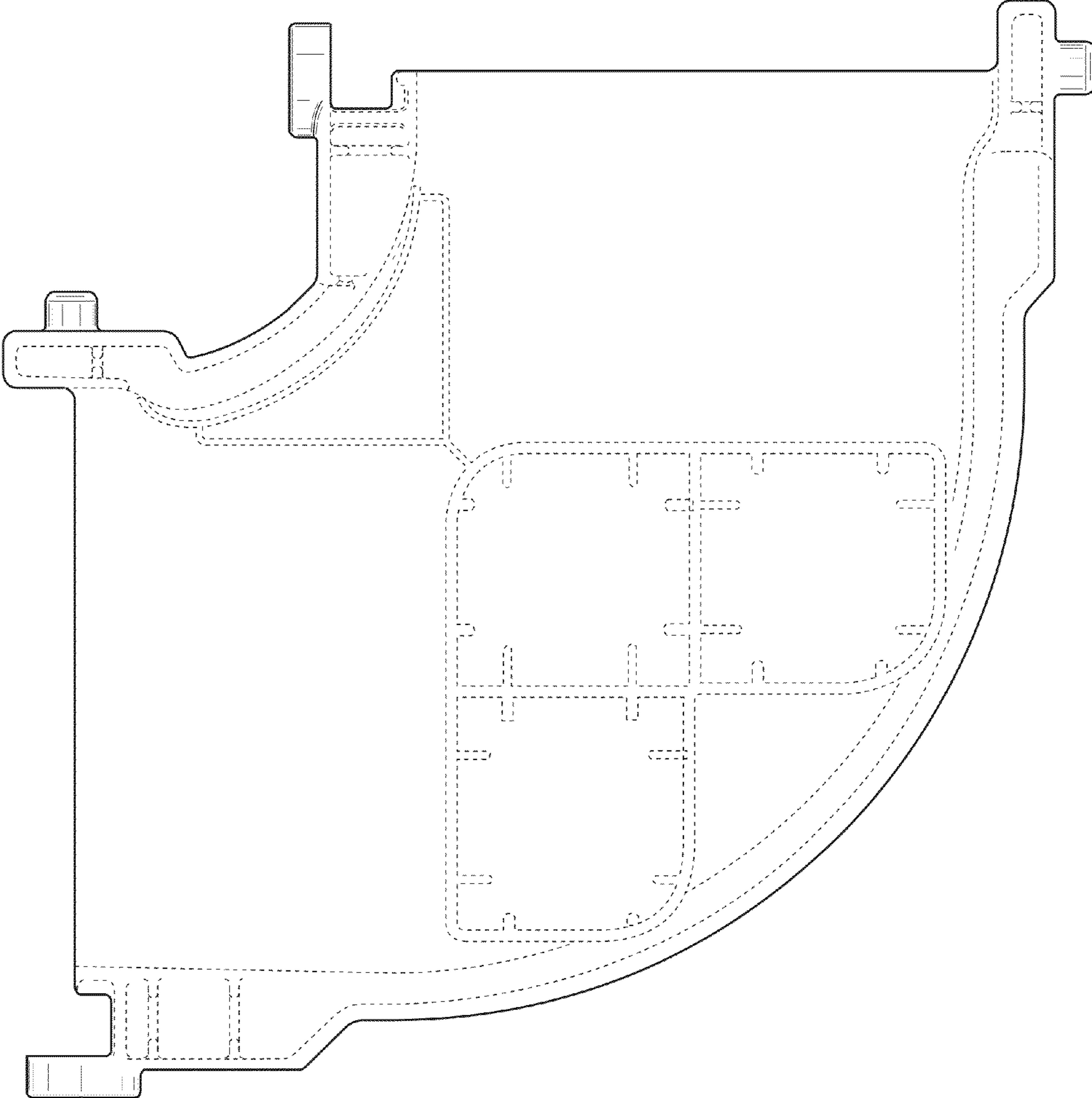


**FIG. 5**



**FIG. 6**





**FIG. 7**