



US00D741955S

(12) **United States Design Patent**
Clark

(10) **Patent No.:** **US D741,955 S**
(45) **Date of Patent:** **** Oct. 27, 2015**

- (54) **TRADING CARD TOY**
- (71) Applicant: **Morgan Pierre Clark**, Berkeley, CA
(US)
- (72) Inventor: **Morgan Pierre Clark**, Berkeley, CA
(US)
- (73) Assignee: **Morgan Pierre Clark**, St. Berkeley, CA
(US)
- (**) Term: **14 Years**
- (21) Appl. No.: **29/493,820**
- (22) Filed: **Jun. 13, 2014**
- (51) **LOC (10) Cl.** **21-01**
- (52) **U.S. Cl.**
USPC **D21/398**; D19/1
- (58) **Field of Classification Search**
USPC D19/2-4, 6-9, 1; D11/121, 125, 127,
D11/130-140, 142, 157, 158, 159, 162, 164,
D11/184; D20/10, 15, 19, 22-38, 40, 43,
D20/99; D9/600-681, 700-702, 711, 713,
D9/715-722, 414, 415, 418, 433, 434, 435,
D9/444, 455, 457; D21/376, 398, 468,
D21/478-480, 483, 484, 489, 490, 491, 492,
D21/493, 497, 500-505, 576-661, 811;
446/80, 109, 147, 148, 387, 388, 488;
40/124.07, 124.08, 124.14, 124.16,
40/124.19
CPC A63H 3/08; A63H 3/10; A63H 33/16;
G09F 1/06; G09F 1/08; B42D 15/042; B42D
15/045; B42D 15/047; B65D 81/365; B65D
81/368
See application file for complete search history.

3,212,214	A *	10/1965	Patterson	446/388
3,597,296	A *	8/1971	Lewis	428/9
D275,177	S *	8/1984	Villanueva	D8/373
5,214,800	A *	6/1993	Braun	2/173
5,259,133	A *	11/1993	Burtch	40/124.08
5,421,583	A *	6/1995	Gluck	273/293
5,450,680	A *	9/1995	Bromberg	40/124.08
5,542,709	A *	8/1996	Evans	283/61
D382,019	S *	8/1997	King et al.	D20/31
5,732,491	A *	3/1998	Burtch	40/124.16
6,098,323	A *	8/2000	McGuinness	40/124.191
D568,150	S *	5/2008	Novakovich et al.	D9/434
7,717,335	B2 *	5/2010	Halbur et al.	235/380
8,209,892	B2 *	7/2012	Nielsen	40/310
8,656,616	B2 *	2/2014	Ashpole et al.	40/124.14
2008/0202947	A1 *	8/2008	Narzissenfeld	206/216

* cited by examiner

Primary Examiner — Catherine Tuttle

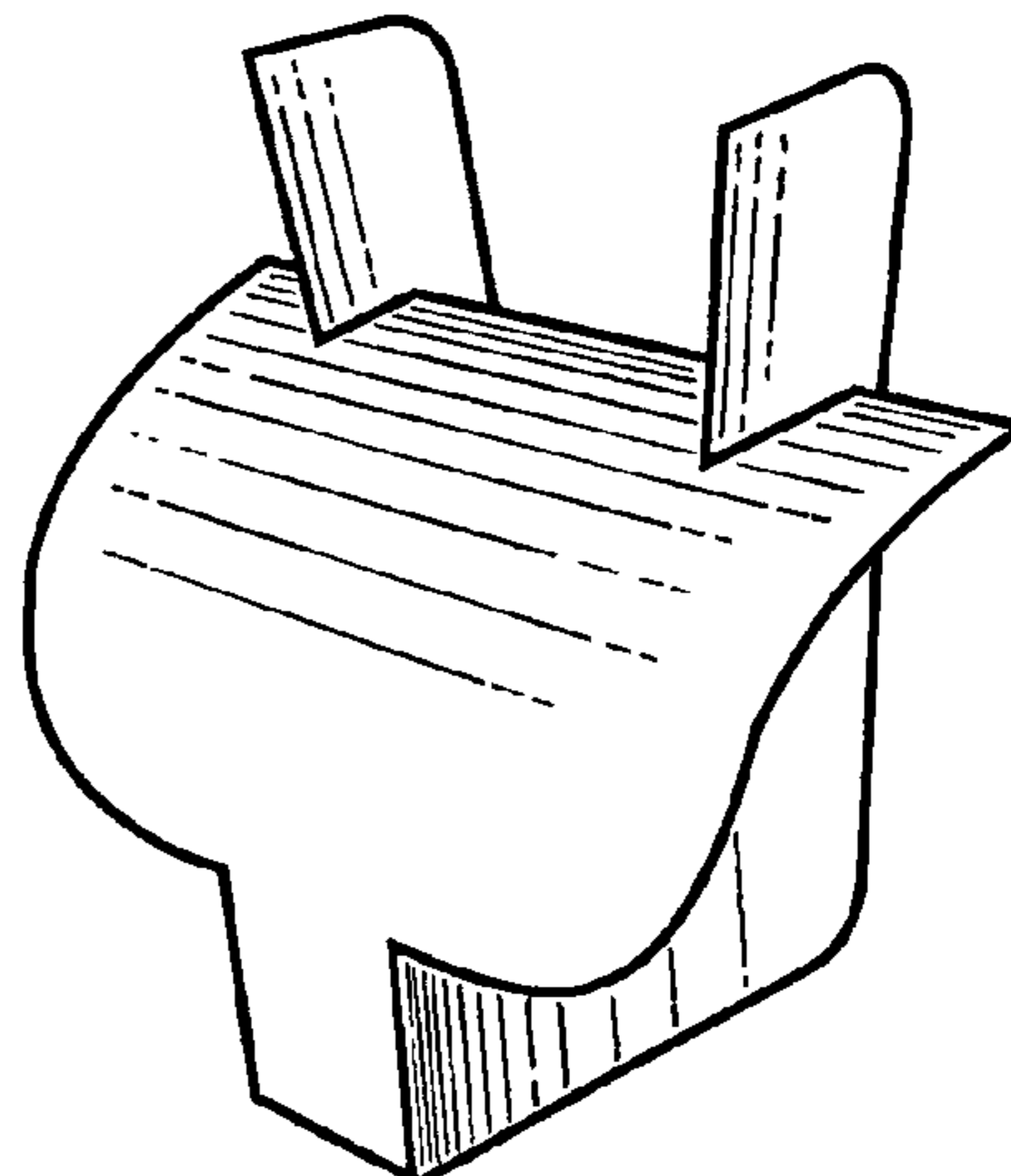
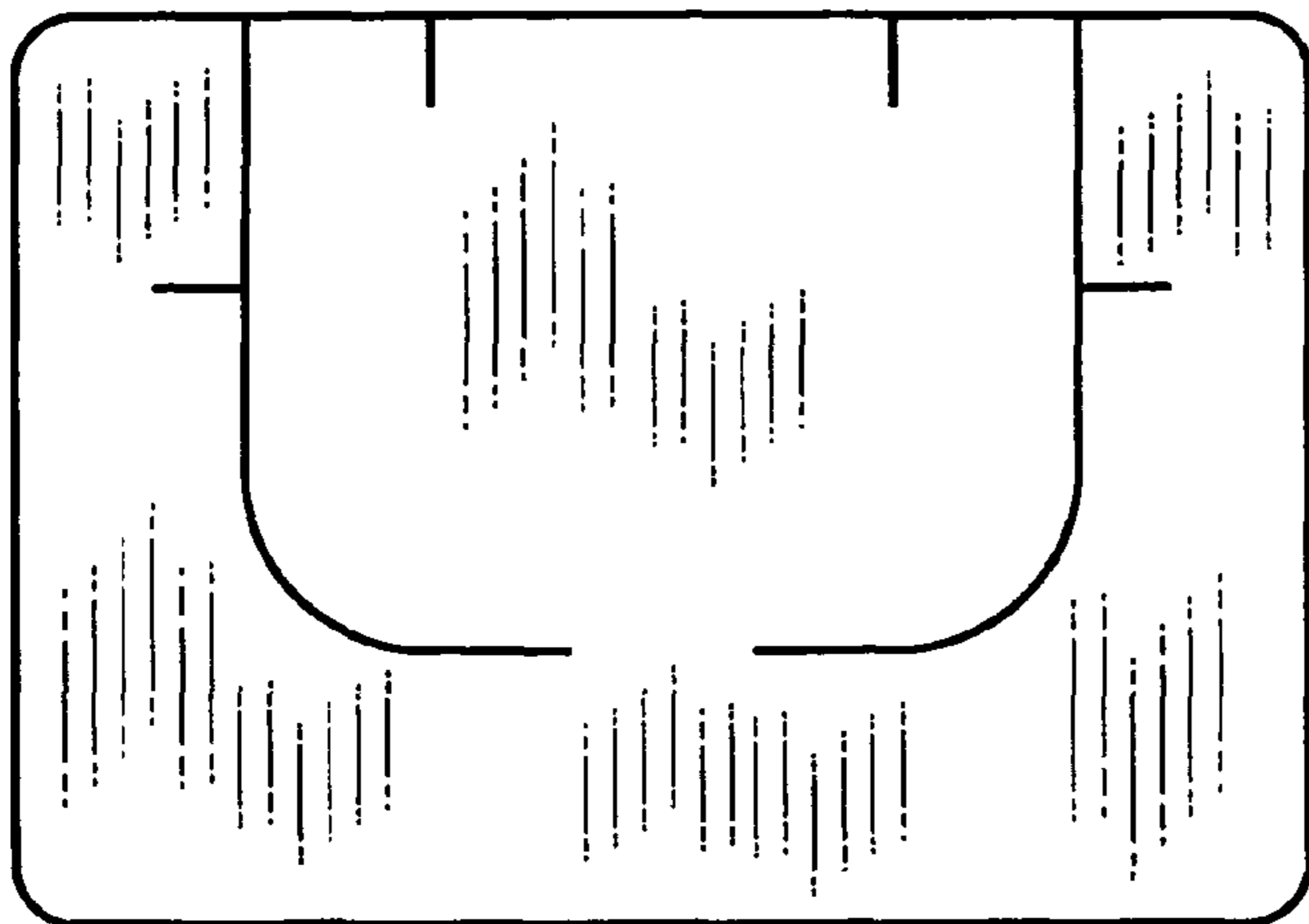
(57) **CLAIM**
The ornamental design for a trading card toy, as shown and described.

DESCRIPTION

FIG. 1 is the front view of my design in it's two-dimensional form with internal lines indicating die-cuts;
 FIG. 2 is the left side view of the three dimensional trading card toy in its constructed form;
 FIG. 3 is the front view of FIG. 2;
 FIG. 4 is the back view of FIG. 2;
 FIG. 5 is the top view of FIG. 2;
 FIG. 6 is the bottom view of FIG. 2;
 FIG. 7 is the upper front left perspective view of FIG. 2;
 FIG. 8 is the lower front left perspective view of FIG. 2;
 FIG. 9 is the lower rear left perspective view of FIG. 2; and,
 FIG. 10 is the upper rear left perspective view of FIG. 2.

- (56) **References Cited**
U.S. PATENT DOCUMENTS
D29,036 S * 7/1898 Tahl D9/433

1 Claim, 2 Drawing Sheets



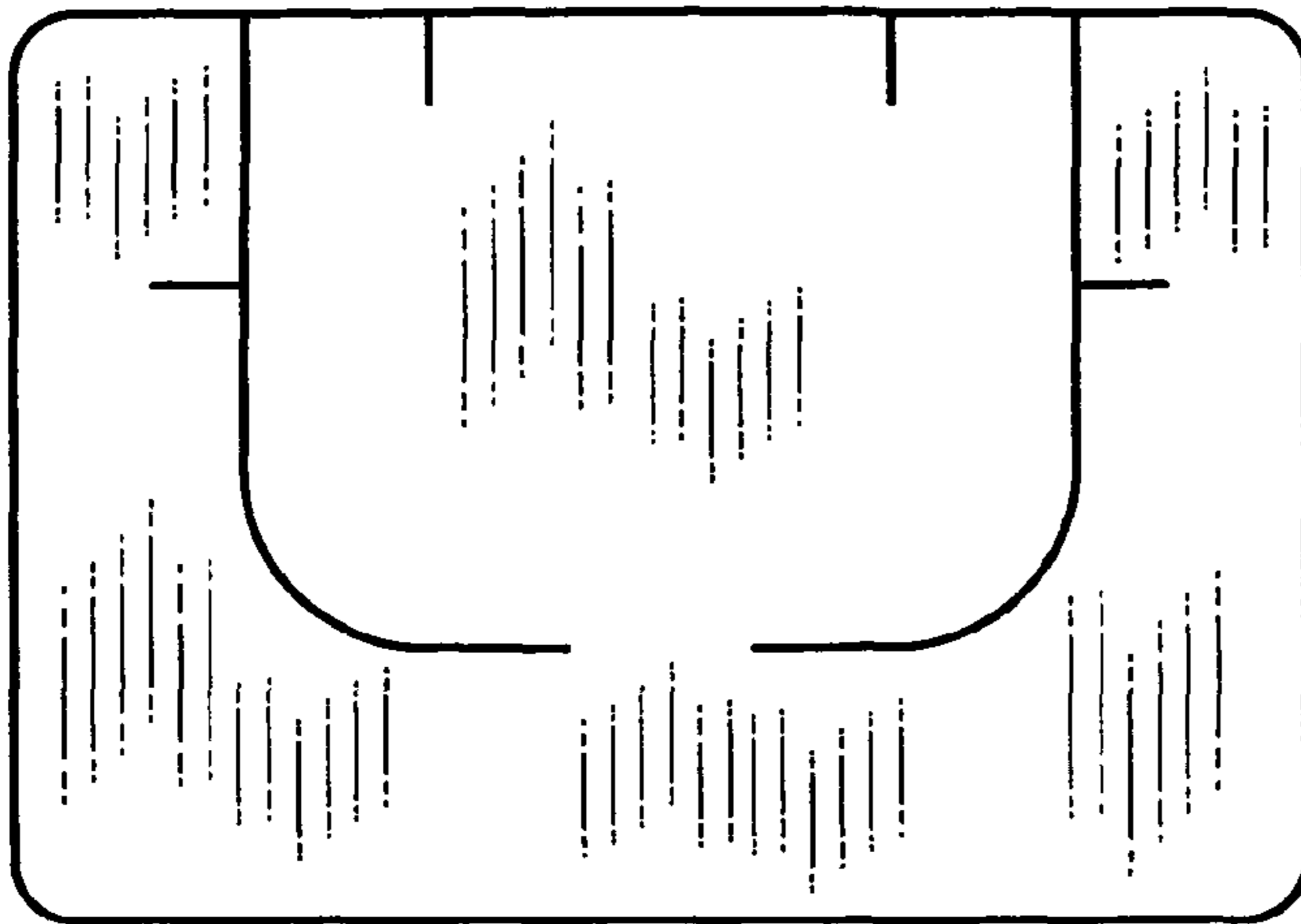


FIG. 1

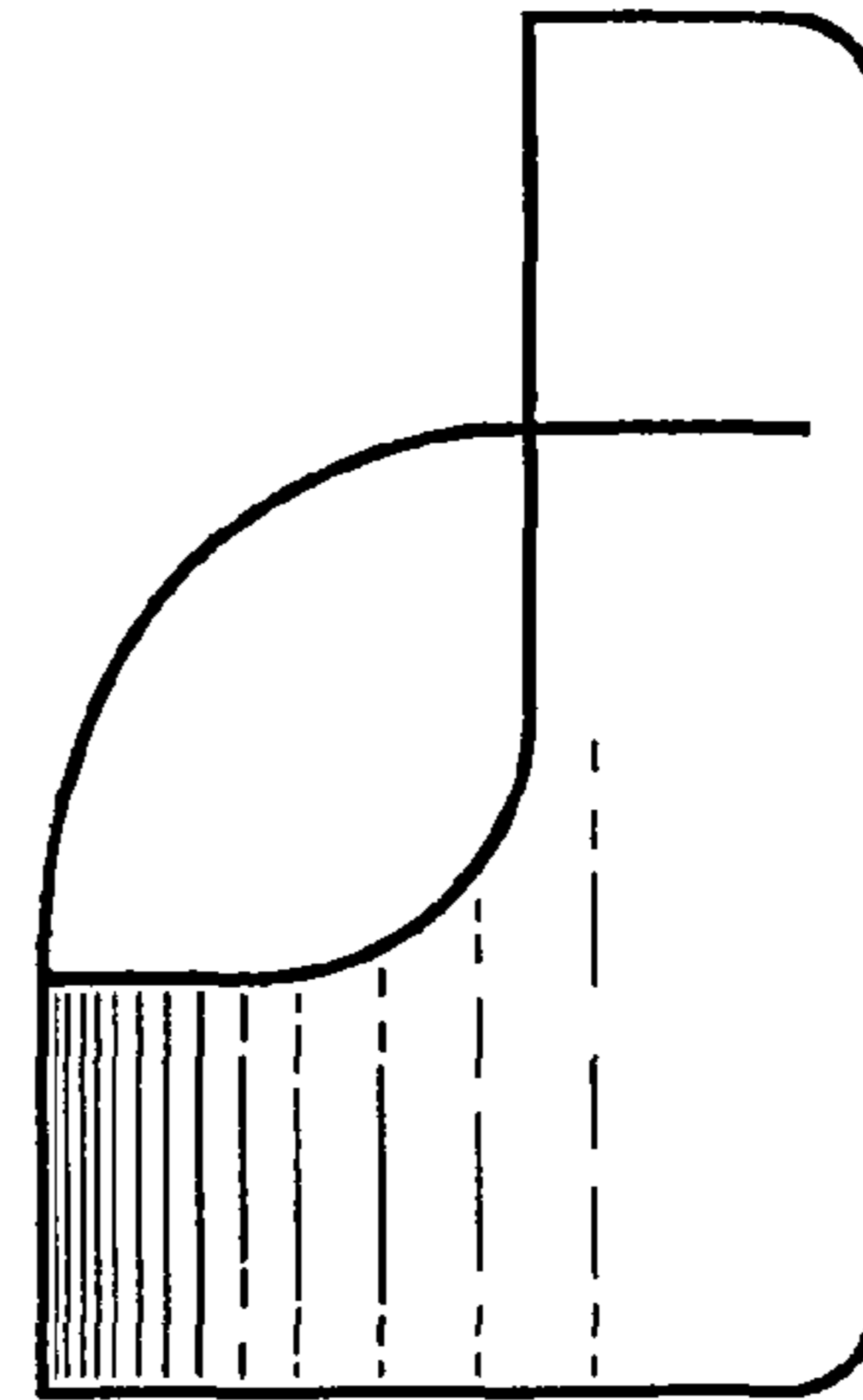


FIG. 2

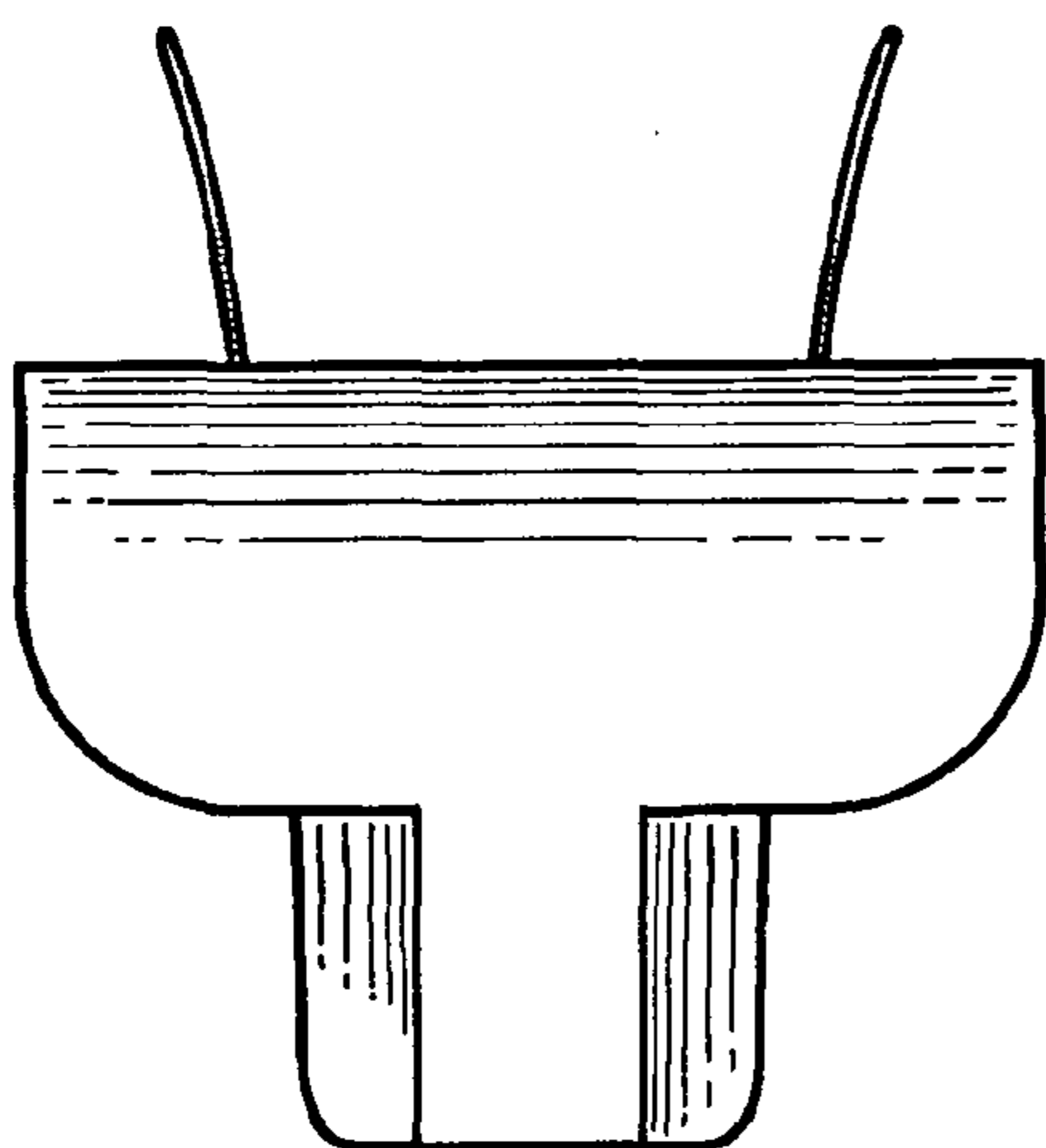


FIG. 3

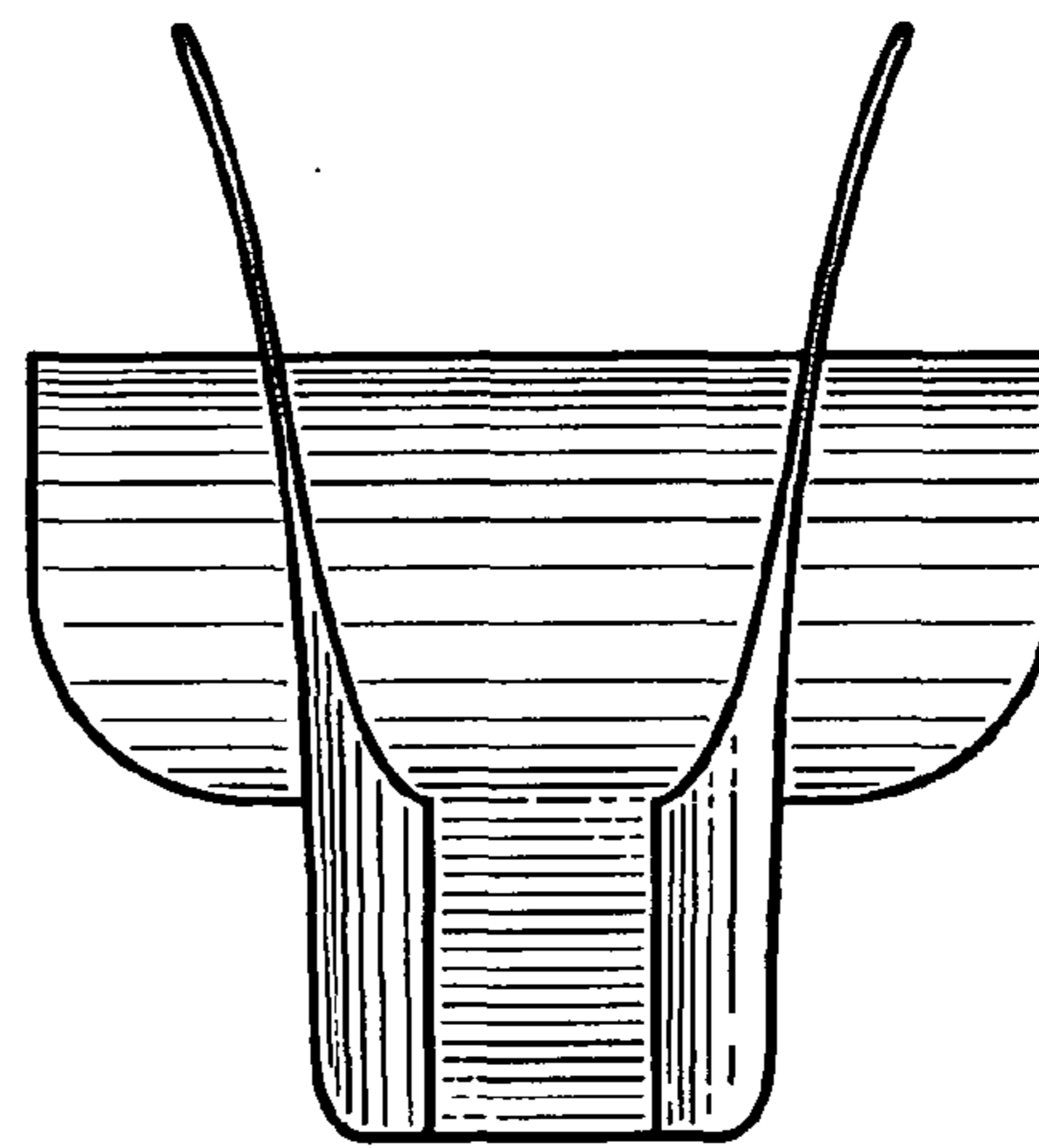


FIG. 4

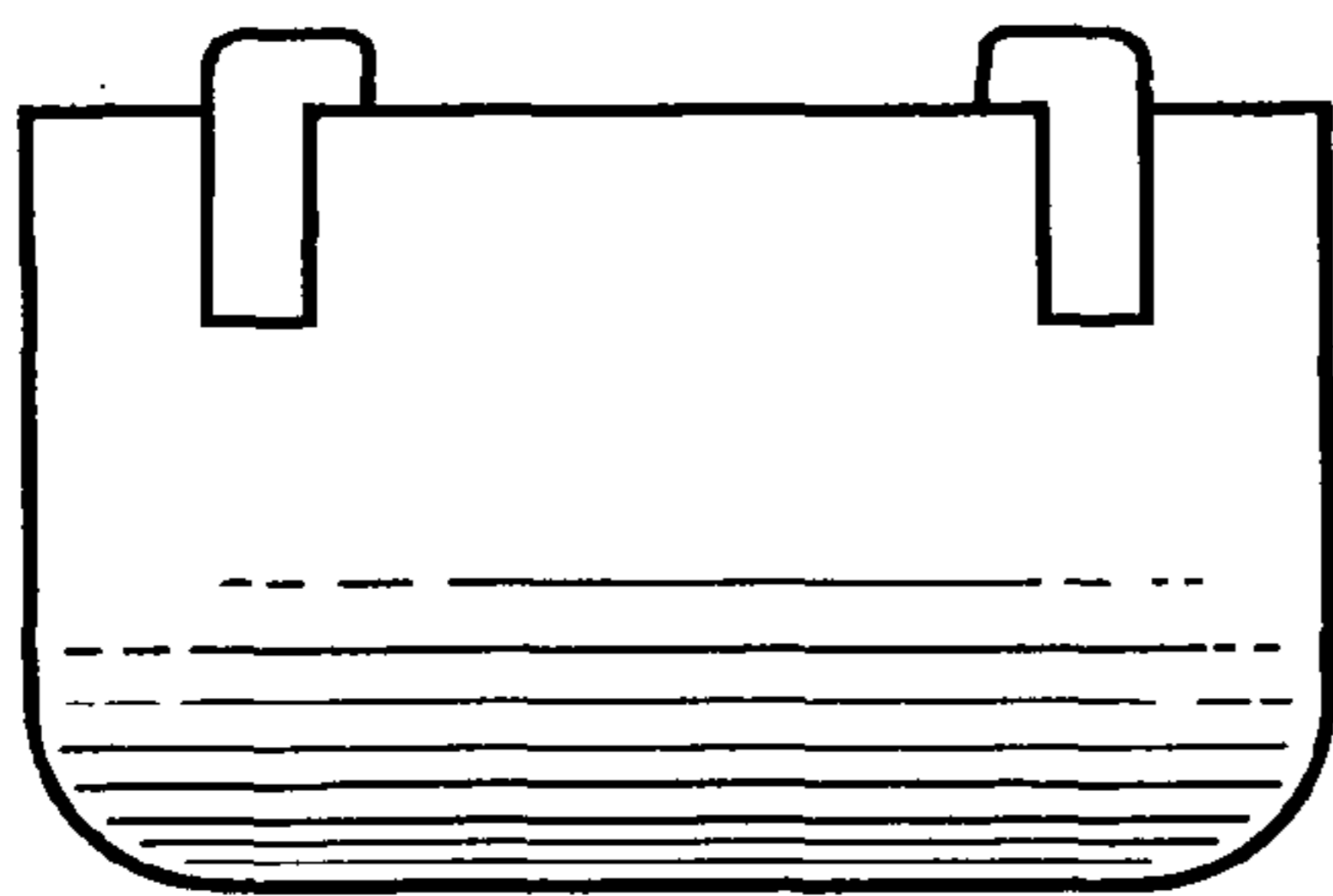


FIG. 5

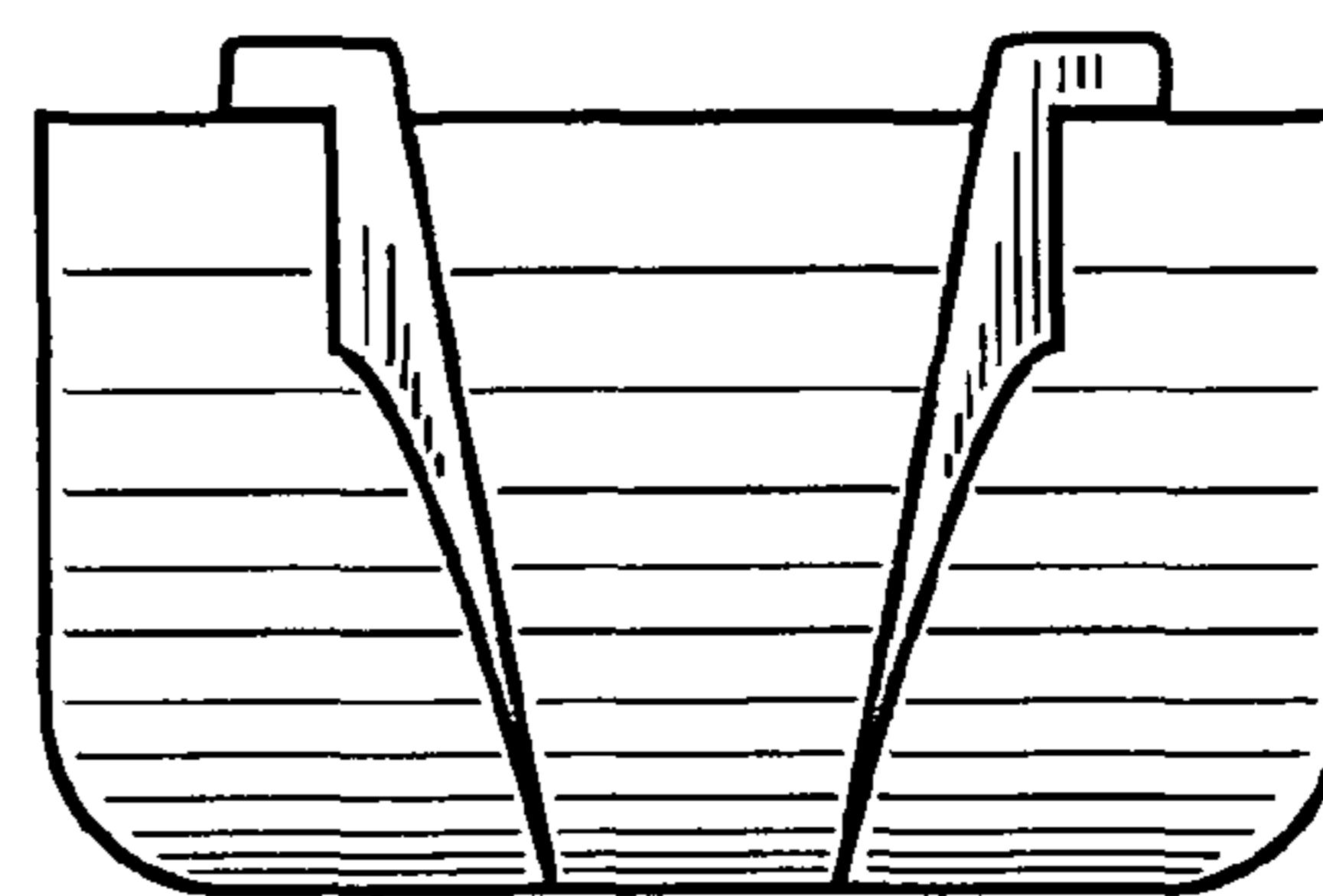


FIG. 6

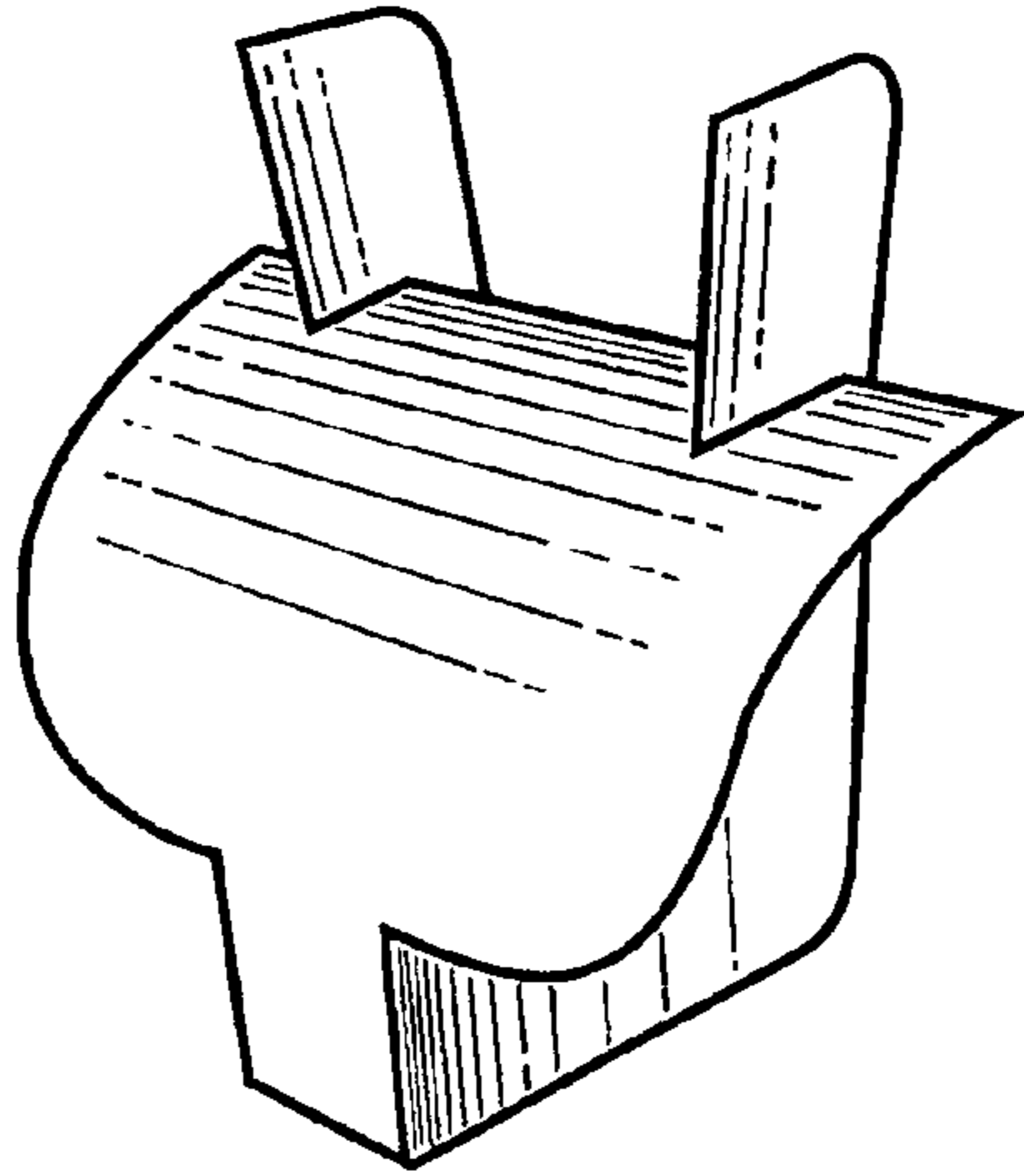


FIG. 7

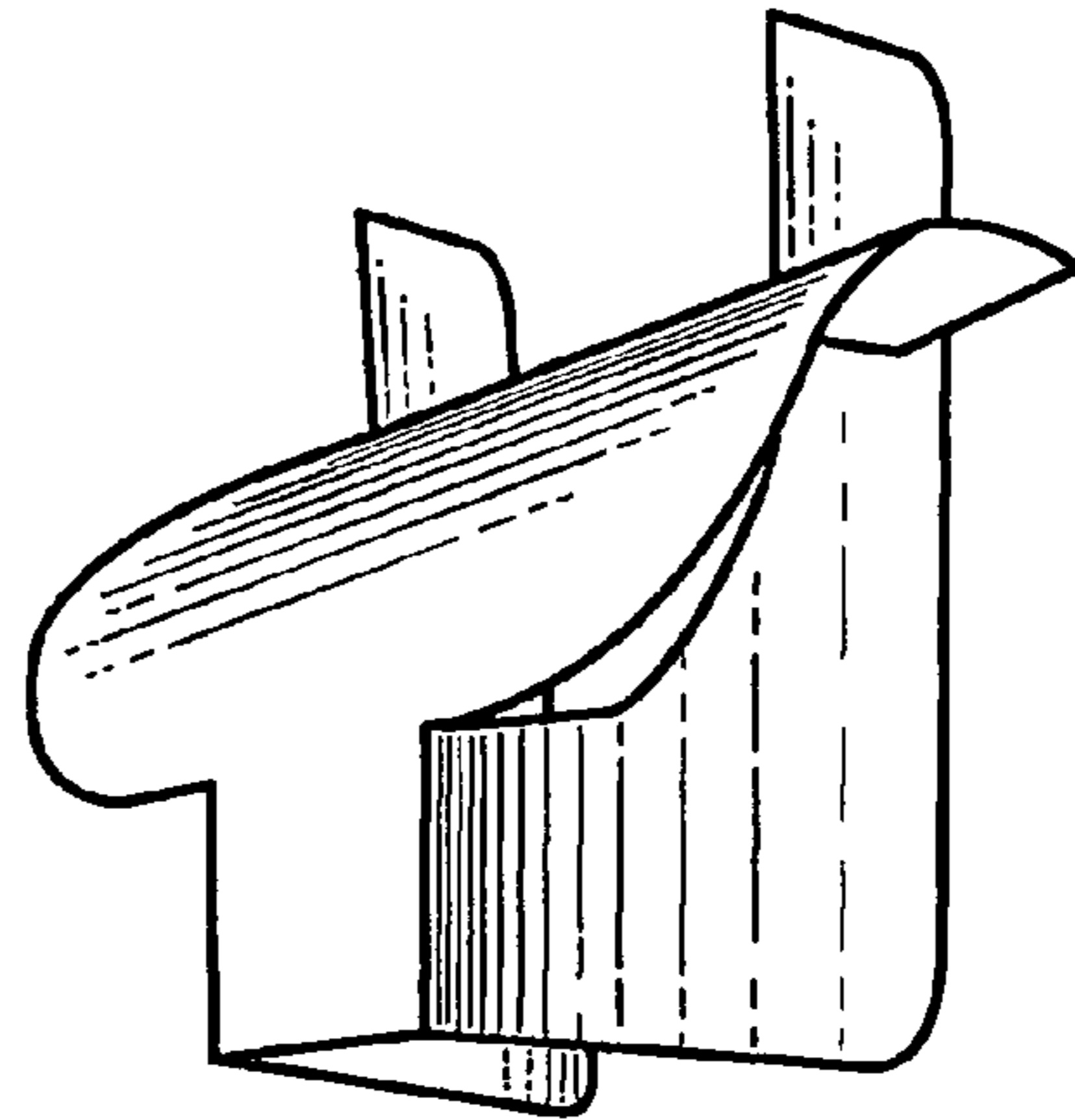


FIG. 8

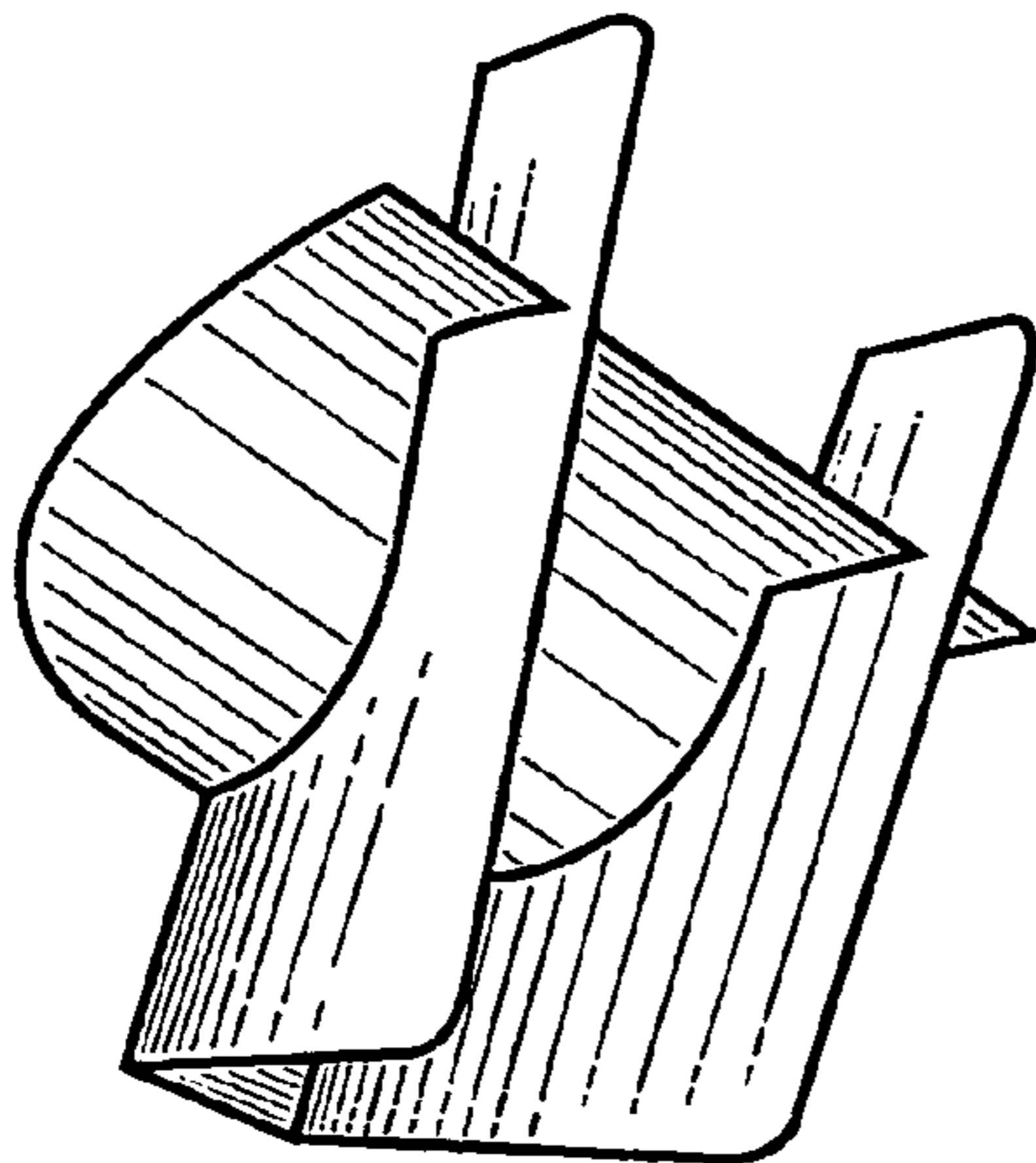


FIG. 9

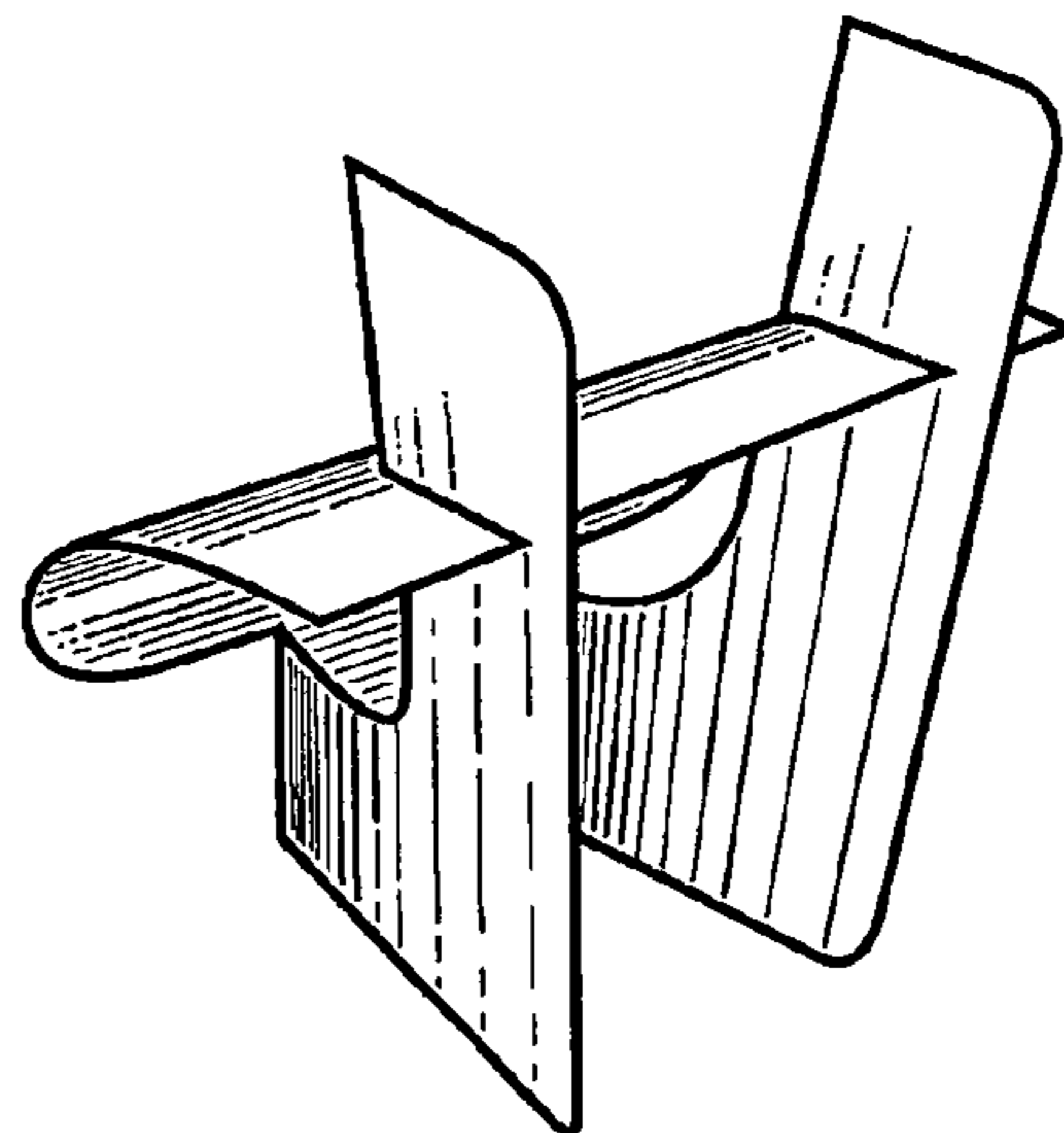


FIG. 10