



US00D741953S

(12) **United States Design Patent**
Kärroman et al.

(10) **Patent No.:** **US D741,953 S**
(45) **Date of Patent:** **** Oct. 27, 2015**

(54) **GAME HOLDER**

(71) Applicant: **Sony Mobile Communications AB,**
Lund (SE)
(72) Inventors: **Elin Kärroman, Lomma (SE); Thomas**
Waldner, Malmö (SE)
(73) Assignee: **Sony Mobile Communications AB,**
Lund (SE)
(**) Term: **14 Years**
(21) Appl. No.: **29/502,441**
(22) Filed: **Sep. 16, 2014**

(30) **Foreign Application Priority Data**

Jun. 2, 2014 (EM) 002474841

(51) **LOC (10) Cl.** **21-01**

(52) **U.S. Cl.**
USPC **D21/333**

(58) **Field of Classification Search**

USPC D21/324–333, 686, 662, 335, 385,
D21/694–697; 273/148 B, 440, 442,
273/454–456, 459; 463/1, 30–35, 36, 46,
463/47; 345/156–163; 434/61; 700/90;
710/303; D14/356, 217, 218, 251, 454,
D14/434, 439
CPC A63F 9/00; A63F 11/00; A63F 13/02;
A63F 13/08; A63F 13/20; A47B 23/00;
A47B 71/00; A47B 97/00

See application file for complete search history.

(56) **References Cited**

U.S. PATENT DOCUMENTS

5,207,791 A *	5/1993	Scherbarth	273/148 B
5,522,641 A *	6/1996	Infanti	297/344.13
5,711,523 A *	1/1998	Sternberg et al.	273/153 R
6,089,663 A *	7/2000	Hill	297/258.1
D470,899 S *	2/2003	Goh	D21/477
6,802,265 B1 *	10/2004	Dodson et al.	108/50.11
6,913,232 B2 *	7/2005	Richter	248/205.8
D615,596 S *	5/2010	Bik et al.	D21/333
D624,600 S *	9/2010	Fowler	D21/333
D642,222 S *	7/2011	Pezzoni et al.	D21/333
D656,553 S *	3/2012	Blaskov et al.	D21/326
D657,823 S *	4/2012	Gutowski	D21/331
D682,360 S *	5/2013	Bhirombhakdi	D21/326

* cited by examiner

Primary Examiner — Prabhakar Deshmukh

(74) *Attorney, Agent, or Firm* — Renner, Otto, Boisselle & Sklar, LLP

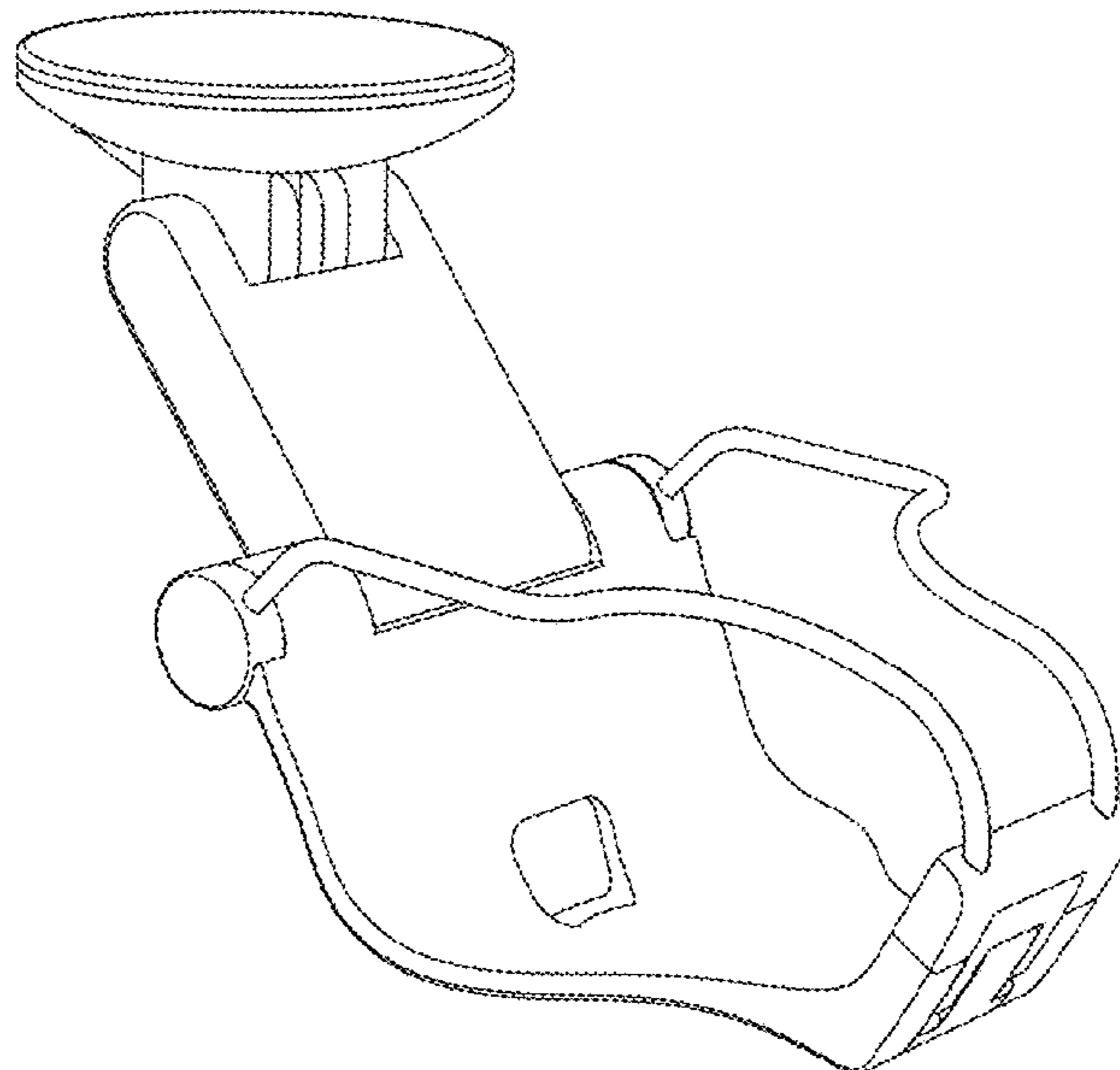
(57) **CLAIM**

The ornamental design for a game holder, as shown and described.

DESCRIPTION

FIG. 1 is a perspective view of a game holder showing our new design.
FIG. 2 is a front view thereof.
FIG. 3 is a rear view thereof.
FIG. 4 is a left side view thereof.
FIG. 5 is a right side view thereof.
FIG. 6 is a bottom view thereof; and,
FIG. 7 is a top view thereof.

1 Claim, 7 Drawing Sheets



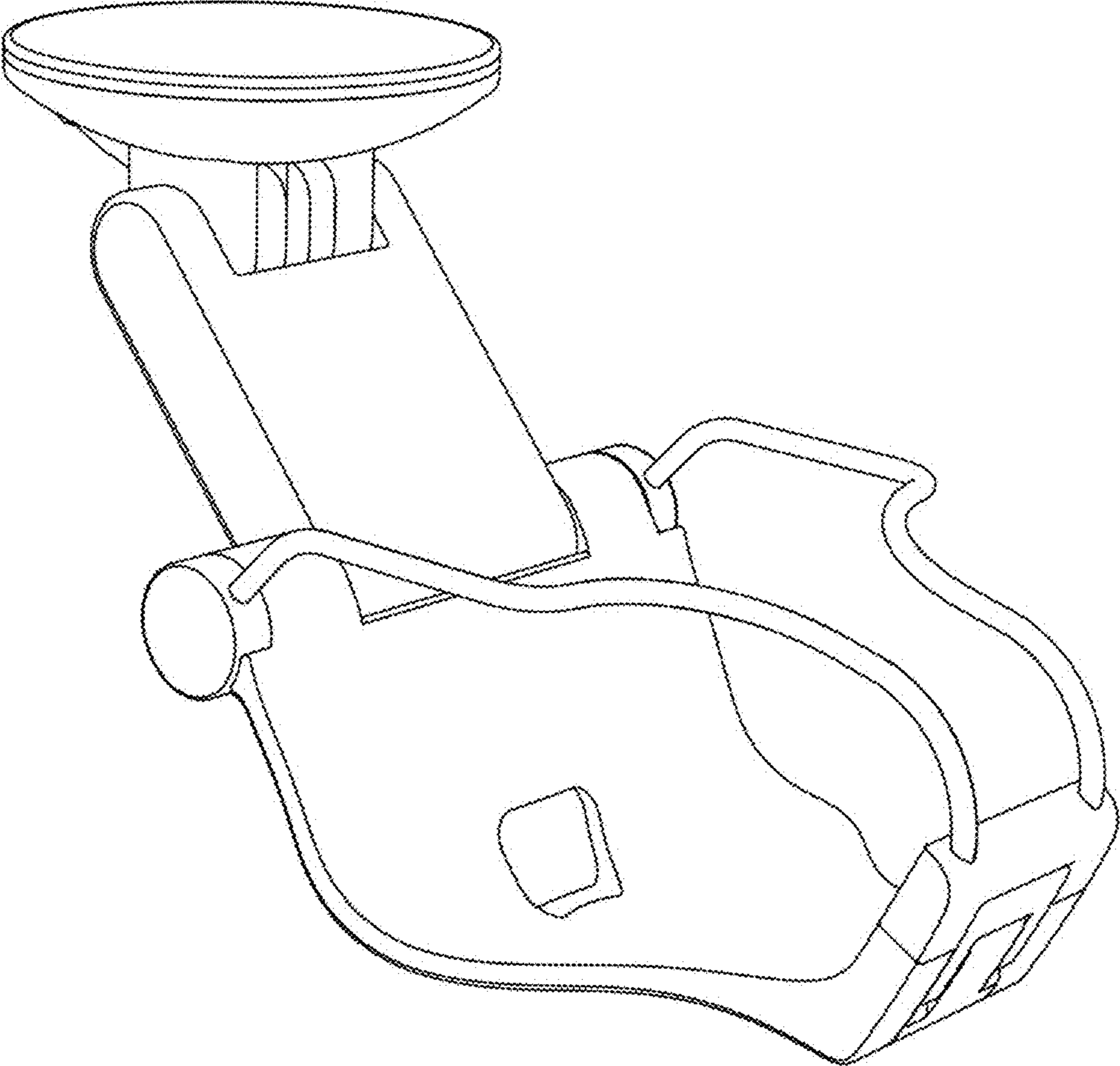


FIG. 1

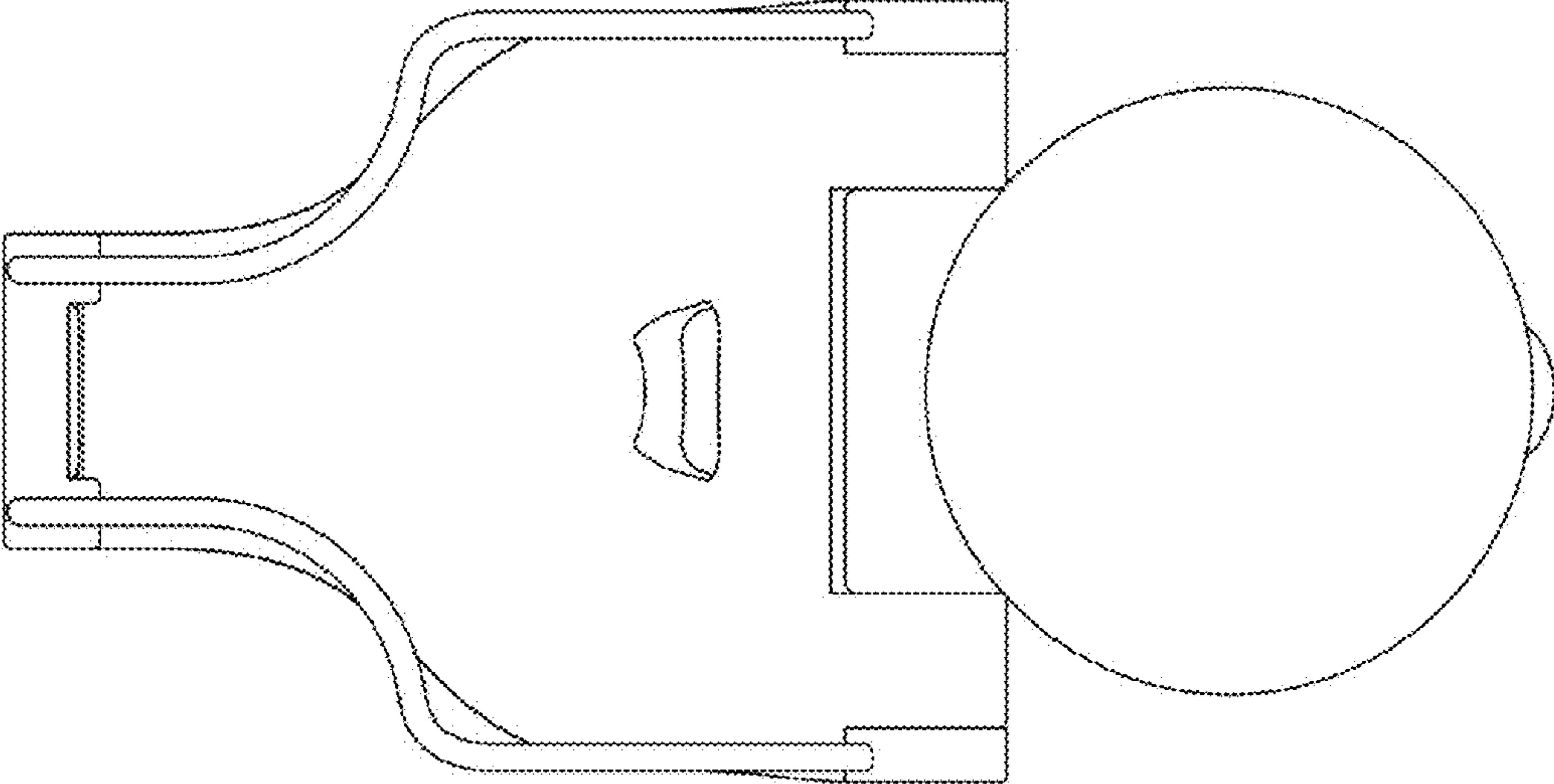


FIG. 2

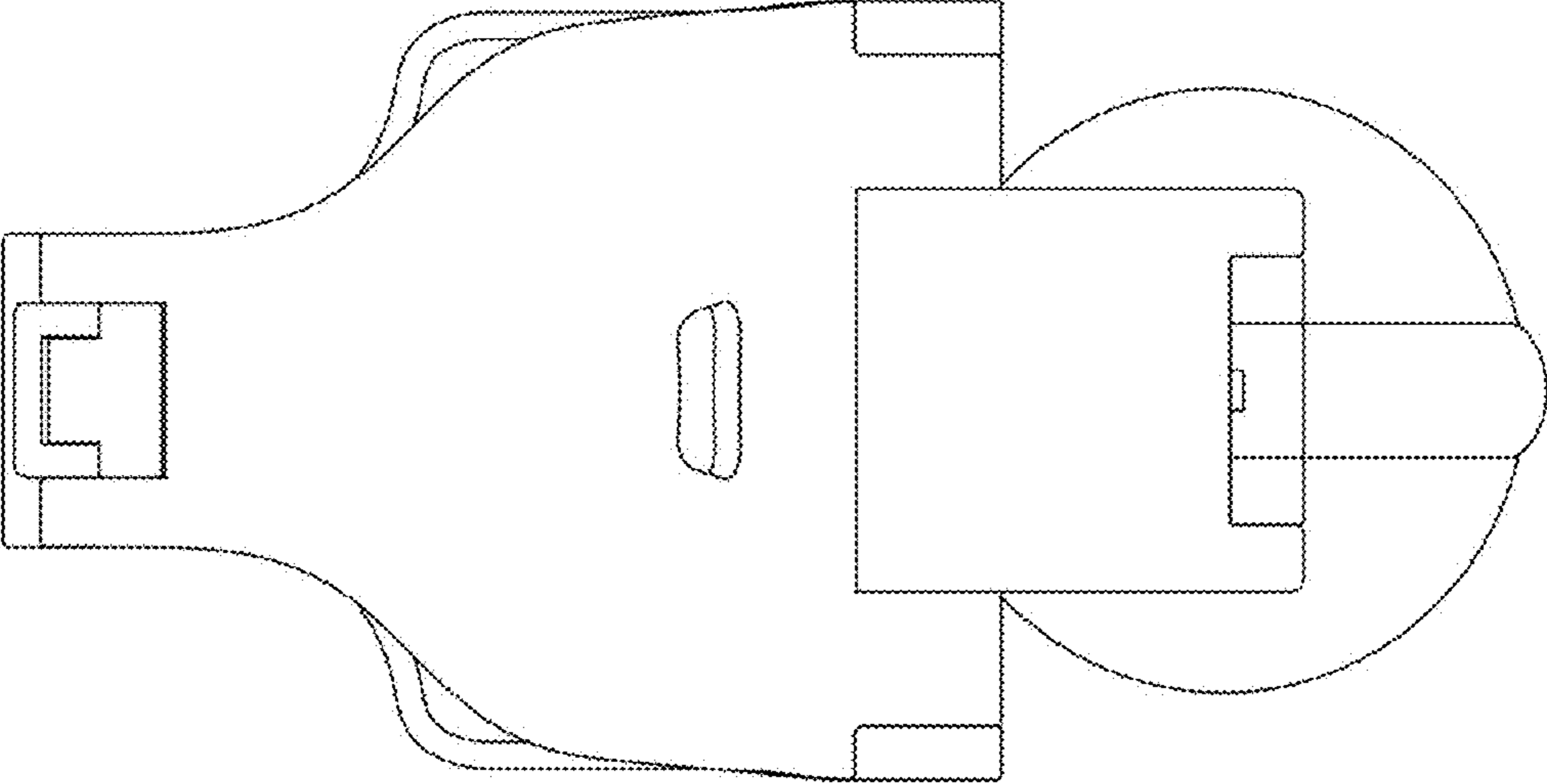


FIG. 3

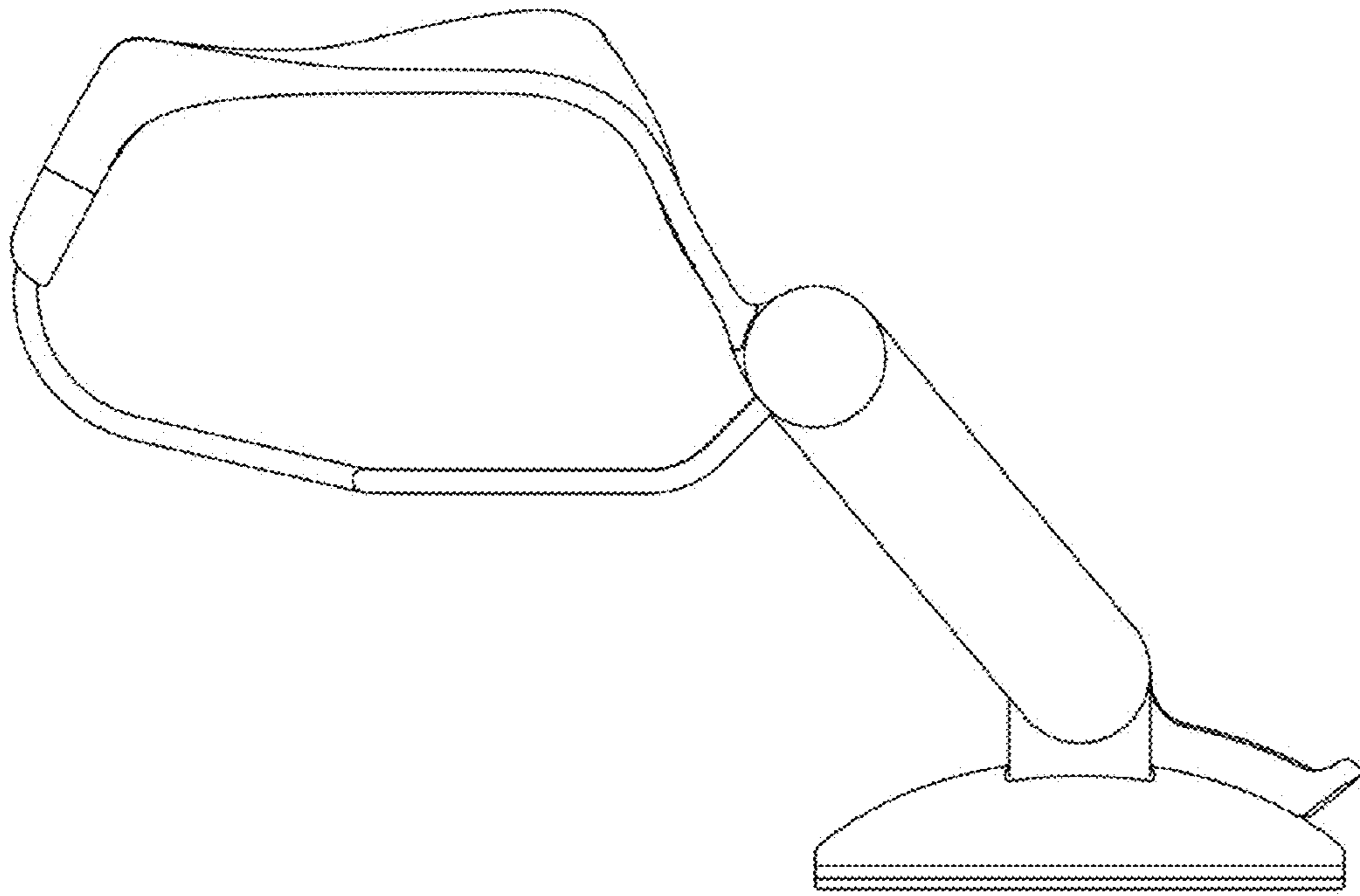


FIG. 4

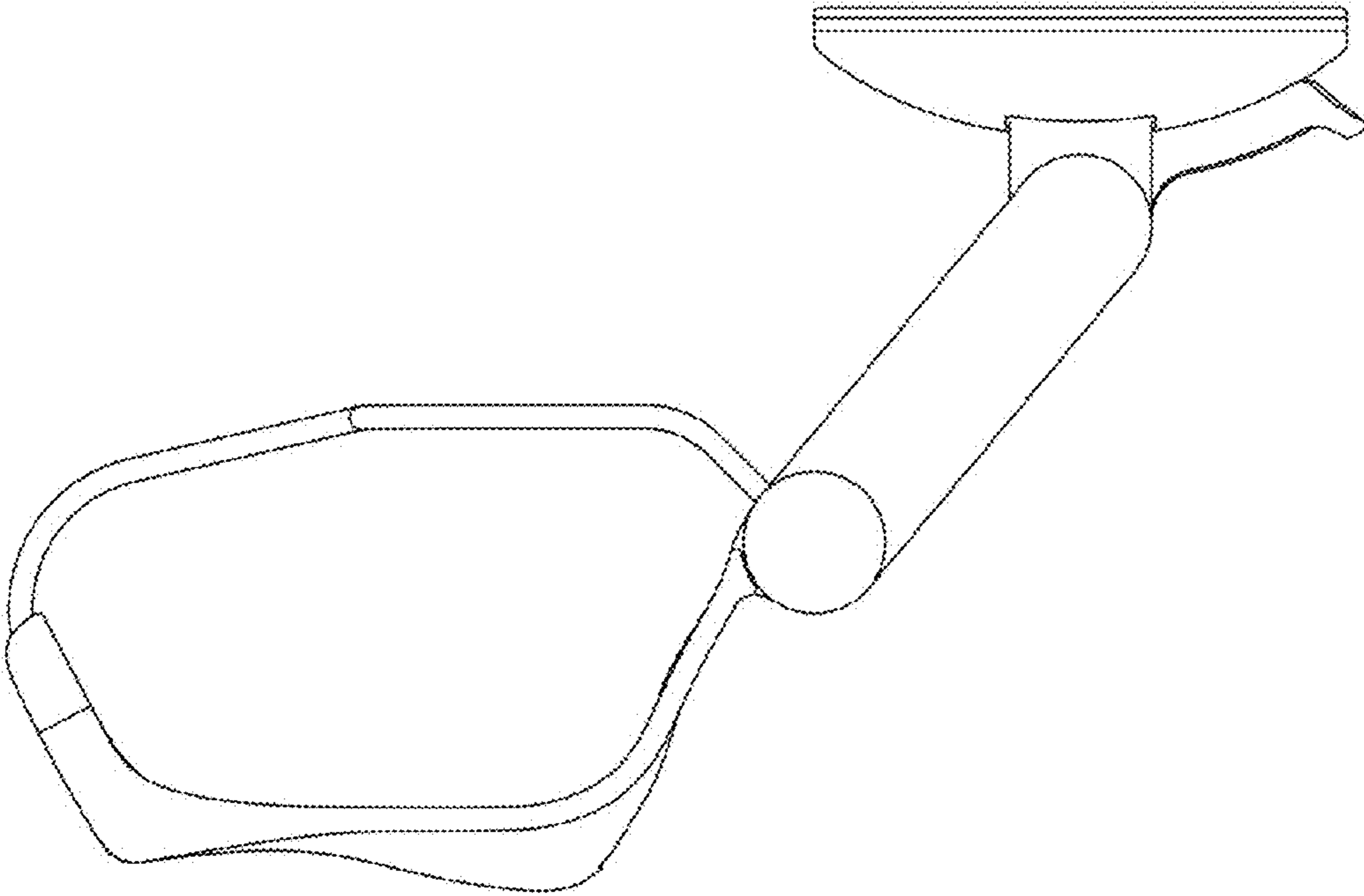


FIG. 5

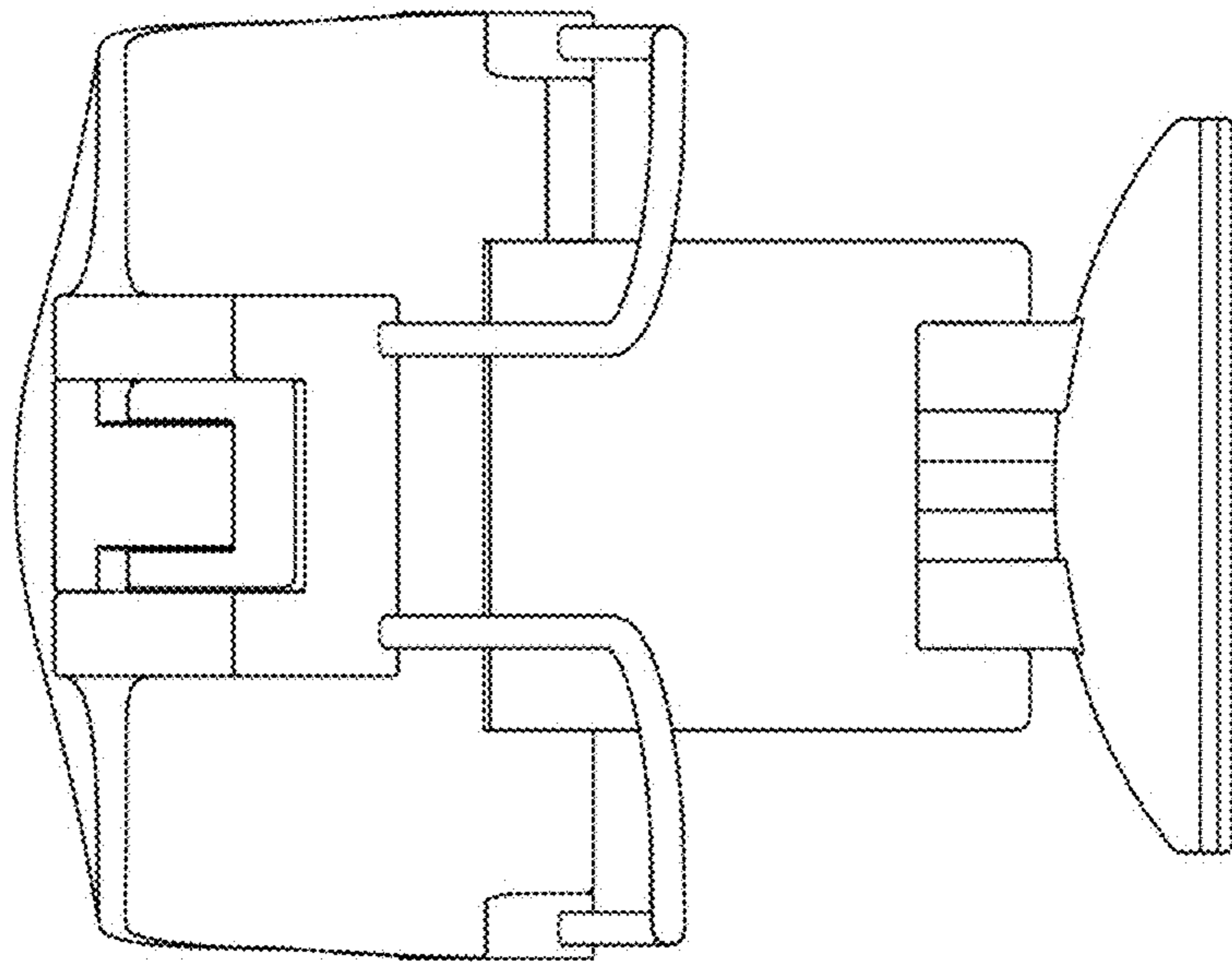


FIG. 6

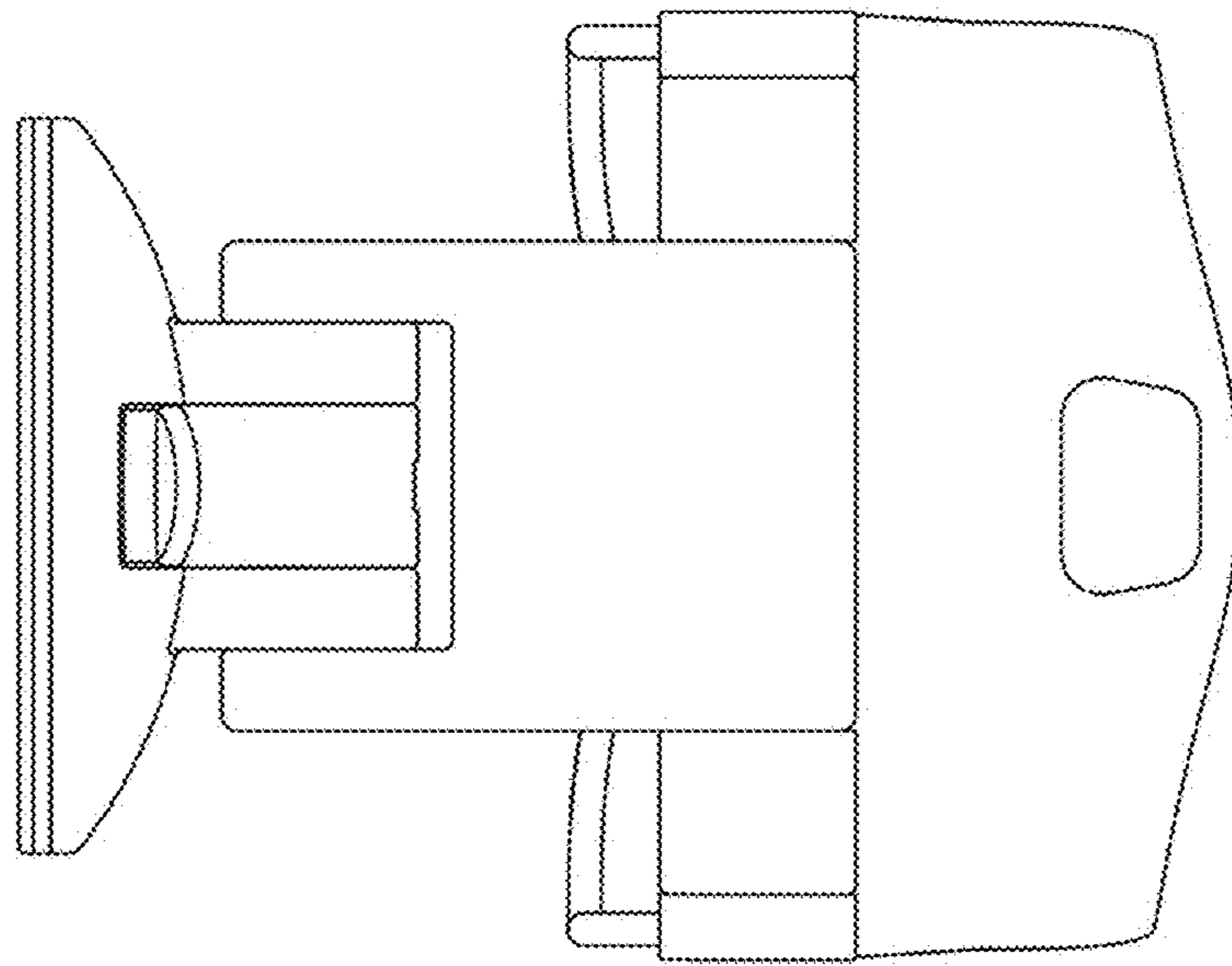


FIG. 7