



US00D741952S

(12) **United States Design Patent**  
**Nokuo**

(10) **Patent No.:** **US D741,952 S**  
(45) **Date of Patent:** **\*\* Oct. 27, 2015**

(54) **PORTABLE INFORMATION TERMINAL**

FOREIGN PATENT DOCUMENTS

(71) Applicant: **Sony Computer Entertainment Inc.**,  
Tokyo (JP)

CO 6814 S 7/2011  
HK 1101012.9M003 S 10/2011

(Continued)

(72) Inventor: **Taichi Nokuo**, Tokyo (JP)

OTHER PUBLICATIONS

(73) Assignee: **Sony Computer Entertainment Inc.**,  
Tokyo (JP)

nD portable gaming system, available Jun. 27, 2011, [online], [site visited May 12, 2015]. Available from internet, <URL: <http://www.geek.com/games/nd-portable-gaming-system-shoots-for-10-price-tag-1395833/>>.\*

(\*\*) Term: **14 Years**

(Continued)

(21) Appl. No.: **29/481,316**

*Primary Examiner* — Cathron Brooks

*Assistant Examiner* — Teddy Falloway

(22) Filed: **Feb. 4, 2014**

(74) *Attorney, Agent, or Firm* — Michael Best & Friedrich LLP

(30) **Foreign Application Priority Data**

Aug. 9, 2013 (JP) ..... D2013-018413

(51) **LOC (10) Cl.** ..... **21-01**

(52) **U.S. Cl.**

USPC ..... **D21/329**; D14/401

(58) **Field of Classification Search**

USPC ..... D21/324–333; D14/341–346, 356, 456,  
D14/432, 496, 207.3, 203.7, 507, 399–401;  
273/148 B; 345/156–161, 168, 169,  
345/172; 341/22, 23

CPC ... A63F 13/06; A63F 2300/204; A63F 13/92;  
H04N 5/232

See application file for complete search history.

(56) **References Cited**

U.S. PATENT DOCUMENTS

4,969,647 A \* 11/1990 Mical et al. .... 463/31  
D320,624 S \* 10/1991 Taylor ..... D21/331  
D397,368 S \* 8/1998 Rissman ..... D21/329  
D414,522 S \* 9/1999 Kitamori ..... D21/329

(Continued)

*Primary Examiner* — Cathron Brooks

*Assistant Examiner* — Teddy Falloway

(74) *Attorney, Agent, or Firm* — Michael Best & Friedrich LLP

(57) **CLAIM**

The ornamental design for a portable information terminal, as shown and described.

**DESCRIPTION**

FIG. 1 is a perspective view of front, top and left side of a portable information terminal showing my new design;

FIG. 2 is a perspective view of front, top and left side thereof; FIG. 3 is a perspective view of front, bottom and right side thereof;

FIG. 4 is a perspective view of rear, top and left side thereof;

FIG. 5 is a front view thereof;

FIG. 6 is a rear view thereof;

FIG. 7 is a left side view thereof;

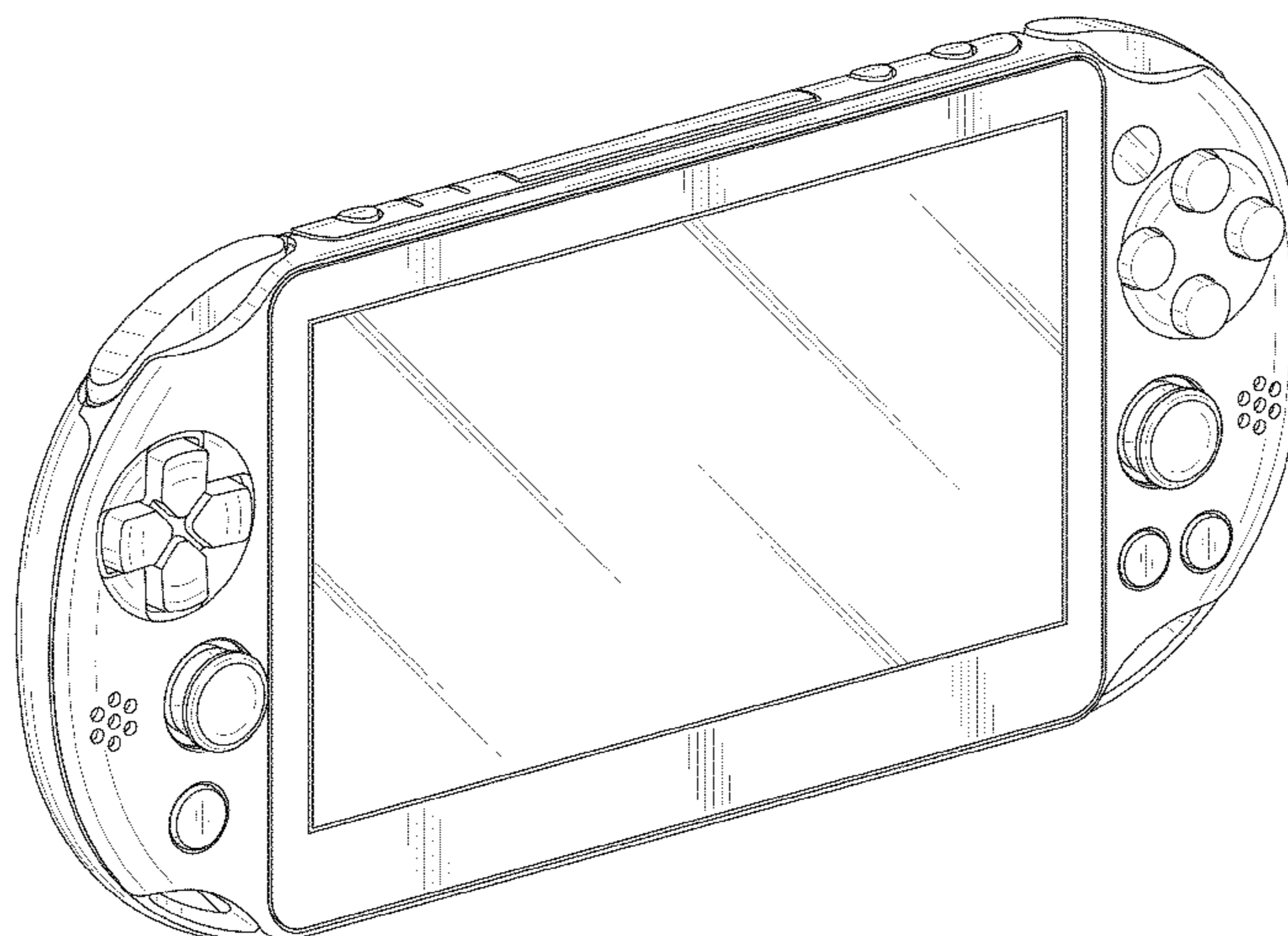
FIG. 8 is a right side view thereof;

FIG. 9 is a top plan view thereof; and,

FIG. 10 is a bottom plan view thereof.

The broken lines shown in the figures that exist on unshaded surfaces, adjacent to shaded surfaces, represent environment that is understood to create boundaries between claimed and non-claimed areas, while the broken lines that exist within those boundaries represent environment; the broken lines form no part of the claimed design.

**1 Claim, 8 Drawing Sheets**



(56)

References Cited

U.S. PATENT DOCUMENTS

D428,938 S \* 8/2000 Tomizawa ..... D21/329  
 D452,280 S \* 12/2001 Ota et al. .... D21/329  
 D453,536 S \* 2/2002 Ota et al. .... D21/329  
 D490,477 S \* 5/2004 Boilen ..... D21/329  
 D502,224 S \* 2/2005 Eguchi et al. .... D21/329  
 6,933,861 B2 \* 8/2005 Wang ..... 341/20  
 D511,528 S \* 11/2005 Yang ..... D14/203.7  
 D528,543 S \* 9/2006 Ogasawara ..... D14/356  
 D529,493 S 10/2006 Ogasawara  
 D529,494 S \* 10/2006 Ogasawara ..... D14/356  
 D613,341 S \* 4/2010 Mar et al. .... D21/329  
 D619,991 S \* 7/2010 Huang ..... D14/138 G  
 D620,055 S \* 7/2010 Yano ..... D21/329  
 D620,056 S 7/2010 Yano  
 D622,245 S \* 8/2010 Okada et al. .... D14/138 G  
 D623,214 S \* 9/2010 Onoda ..... D16/225  
 D646,726 S \* 10/2011 Avery ..... D21/329  
 D648,721 S \* 11/2011 Wong et al. .... D14/345  
 D656,136 S 3/2012 Lee  
 D656,554 S \* 3/2012 Mar ..... D21/329  
 D664,212 S \* 7/2012 Sogabe ..... D21/329  
 D664,213 S \* 7/2012 Sogabe ..... D21/329  
 D664,601 S 7/2012 Sogabe  
 D665,032 S \* 8/2012 Sogabe ..... D21/333  
 8,320,837 B2 \* 11/2012 Kohno et al. .... 455/67.11  
 D681,127 S \* 4/2013 Ashida et al. .... D21/328  
 D686,209 S \* 7/2013 Sun et al. .... D14/401  
 D689,138 S \* 9/2013 Ashida et al. .... D21/332  
 D691,663 S \* 10/2013 Ashida et al. .... D21/332  
 D692,882 S \* 11/2013 Lakraa ..... D14/346  
 D697,141 S \* 1/2014 Sugino et al. .... D21/333  
 D702,770 S \* 4/2014 Burris ..... D21/329  
 D706,874 S \* 6/2014 Ngoy et al. .... D21/329  
 D710,945 S \* 8/2014 Biheller et al. .... D21/333  
 D713,467 S \* 9/2014 Sawhney et al. .... D21/333  
 D715,296 S \* 10/2014 Huang ..... D14/401  
 D720,017 S \* 12/2014 Fujino et al. .... D21/329

D720,342 S \* 12/2014 Starrett et al. .... D14/252  
 D720,404 S \* 12/2014 Fujino et al. .... D21/329  
 D723,032 S \* 2/2015 Schoenith et al. .... D14/401  
 D723,551 S \* 3/2015 Fu ..... D14/341  
 2004/0023719 A1 \* 2/2004 Hussaini et al. .... 463/37  
 2006/0279039 A1 \* 12/2006 Krieger et al. .... 273/148 B  
 2009/0122681 A1 \* 5/2009 Ishihara et al. .... 369/75.11  
 2009/0172598 A1 \* 7/2009 Yamanaka et al. .... 715/841  
 2009/0203444 A1 \* 8/2009 Kim ..... 463/37  
 2011/0221748 A1 \* 9/2011 Hodges et al. .... 345/419  
 2011/0242134 A1 \* 10/2011 Miller et al. .... 345/633  
 2012/0188694 A1 \* 7/2012 Sakakibara et al. .... 361/679.01  
 2012/0305424 A1 \* 12/2012 Sogabe et al. .... 206/320  
 2012/0306789 A1 \* 12/2012 Sakakibara et al. .... 345/173  
 2013/0003271 A1 \* 1/2013 Obara ..... 361/679.01  
 2013/0003286 A1 \* 1/2013 Abe ..... 361/679.31  
 2013/0032380 A1 \* 2/2013 Furubo et al. .... 174/250  
 2013/0040088 A1 \* 2/2013 Hirayama et al. .... 428/41.7  
 2013/0063879 A1 \* 3/2013 Ishiwata et al. .... 361/679.01  
 2013/0095925 A1 \* 4/2013 Xu ..... 463/37  
 2013/0159654 A1 \* 6/2013 Sakai et al. .... 711/163  
 2013/0184077 A1 \* 7/2013 Galpern ..... 463/37  
 2014/0243092 A1 \* 8/2014 Morita et al. .... 463/31  
 2015/0085435 A1 \* 3/2015 Sakakibara et al. .... 361/679.3

FOREIGN PATENT DOCUMENTS

JP D1382051 S 3/2010  
 RU 81803 S 5/2012

OTHER PUBLICATIONS

Office Action issued in Russian Patent Application No. 2014500429, dated Oct. 10, 2014.  
 Office Action issued in Colombian Patent Application No. 14-25368, dated May 2, 2014.  
 Office Action issued in Russian Patent Application No. 2014500429, dated Aug. 1, 2014.

\* cited by examiner

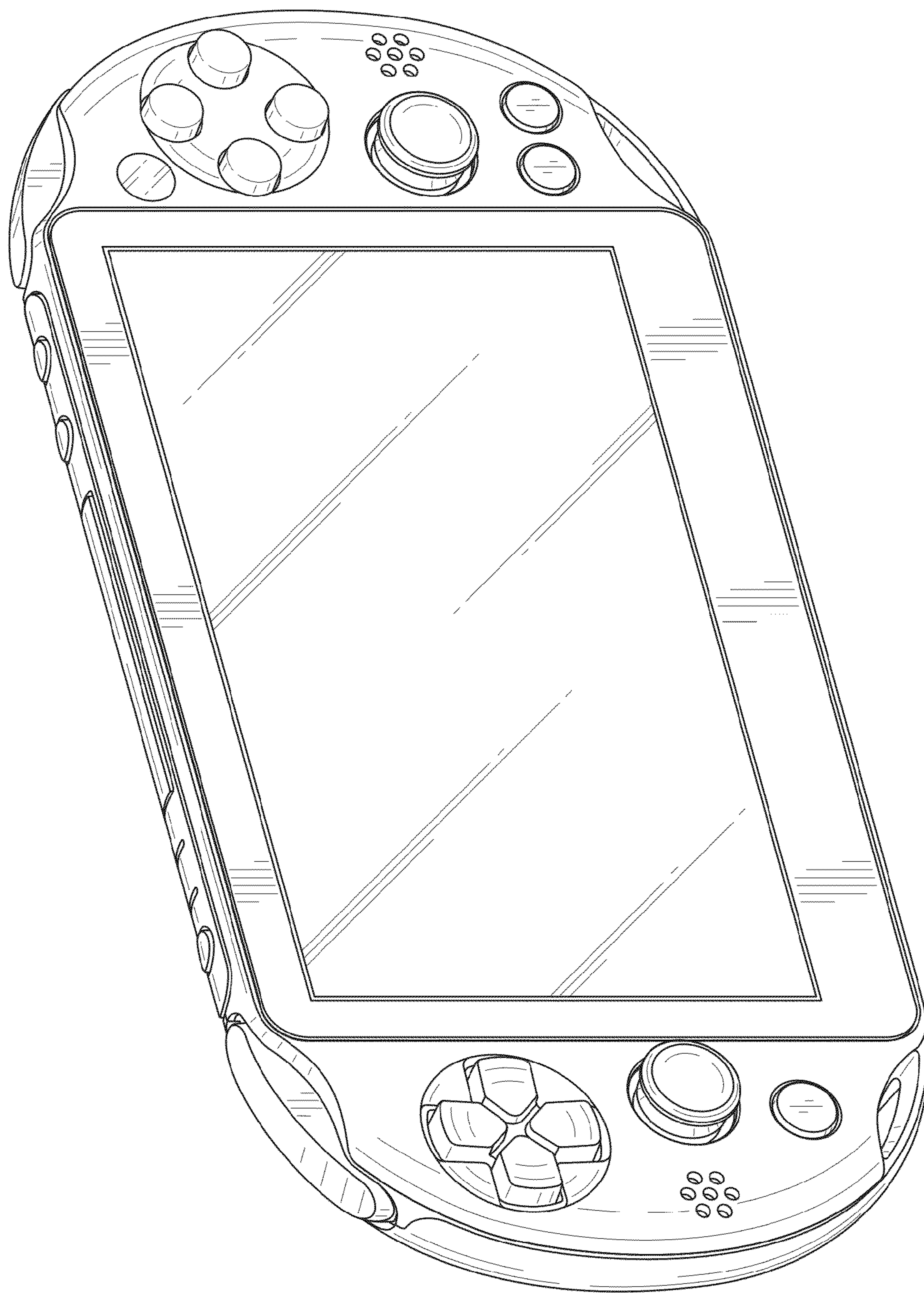


FIG. 1

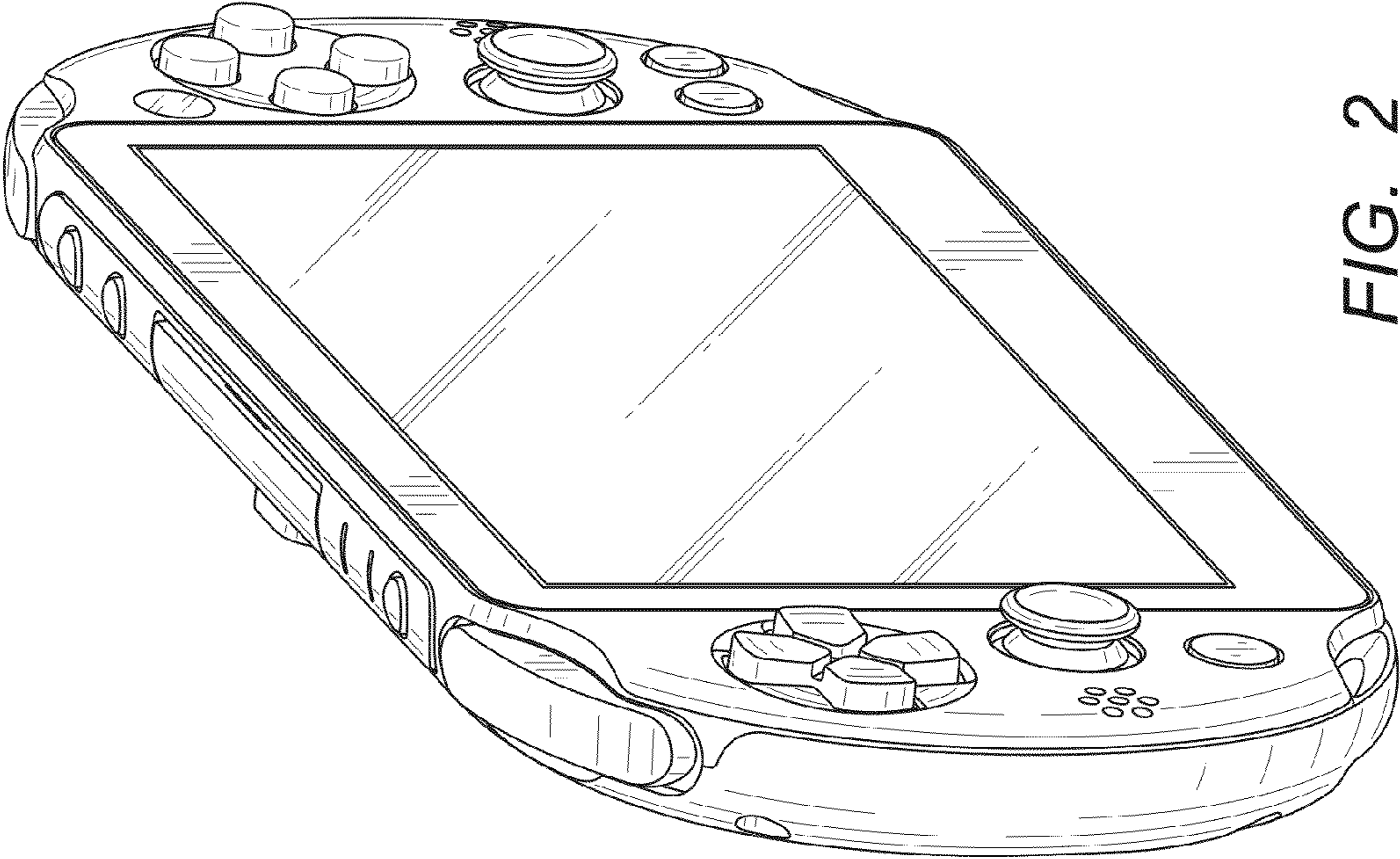


FIG. 2

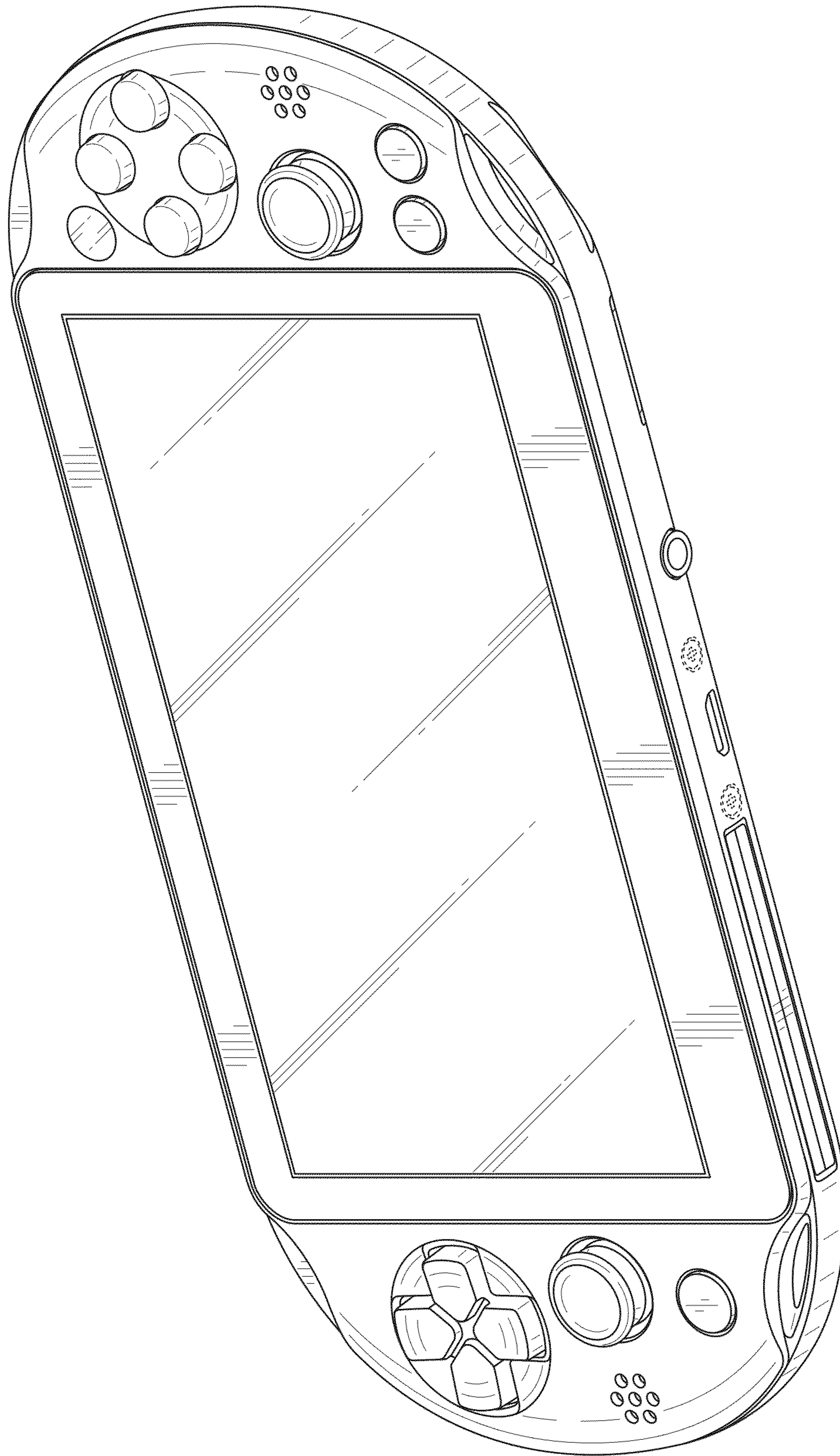


FIG. 3

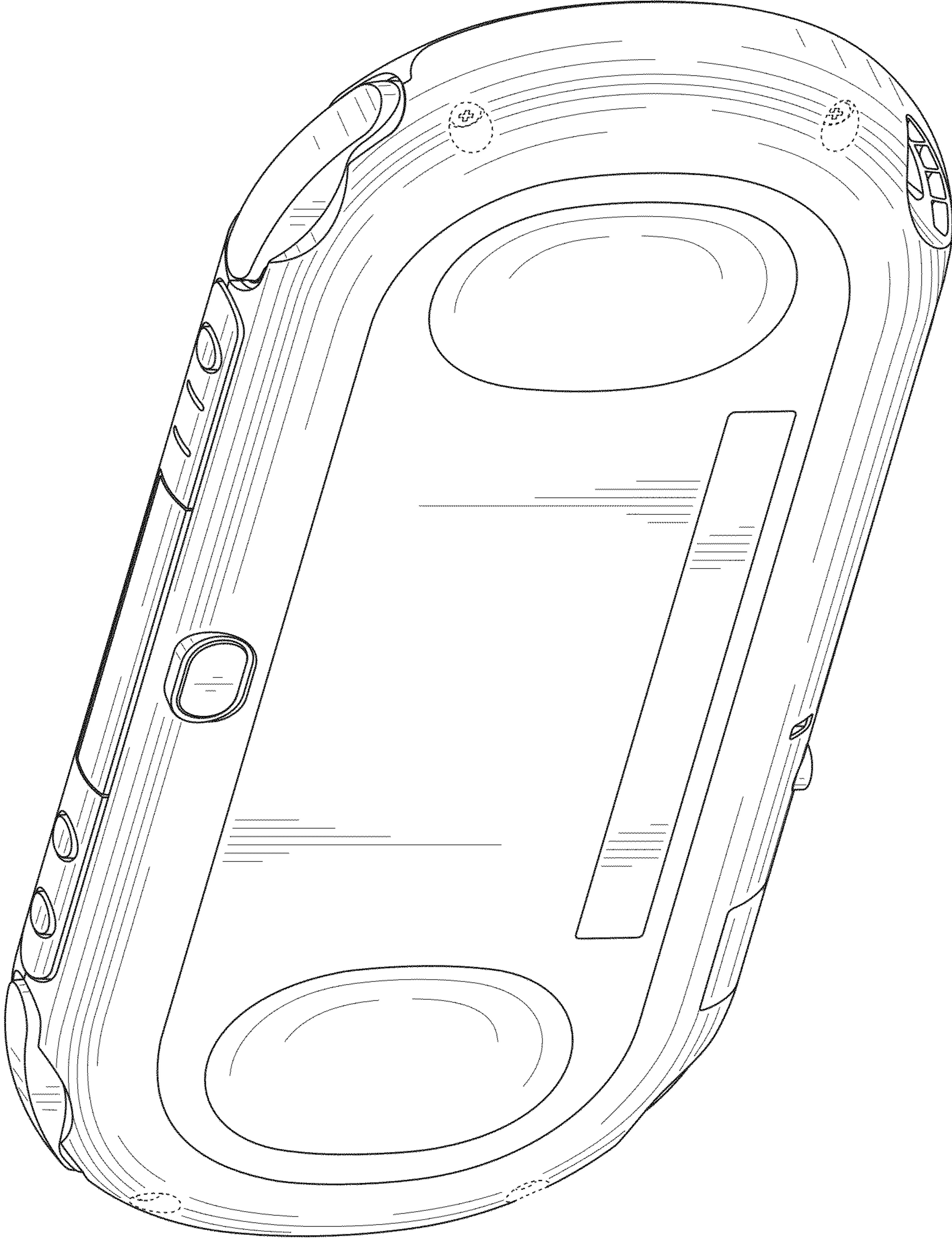


FIG. 4

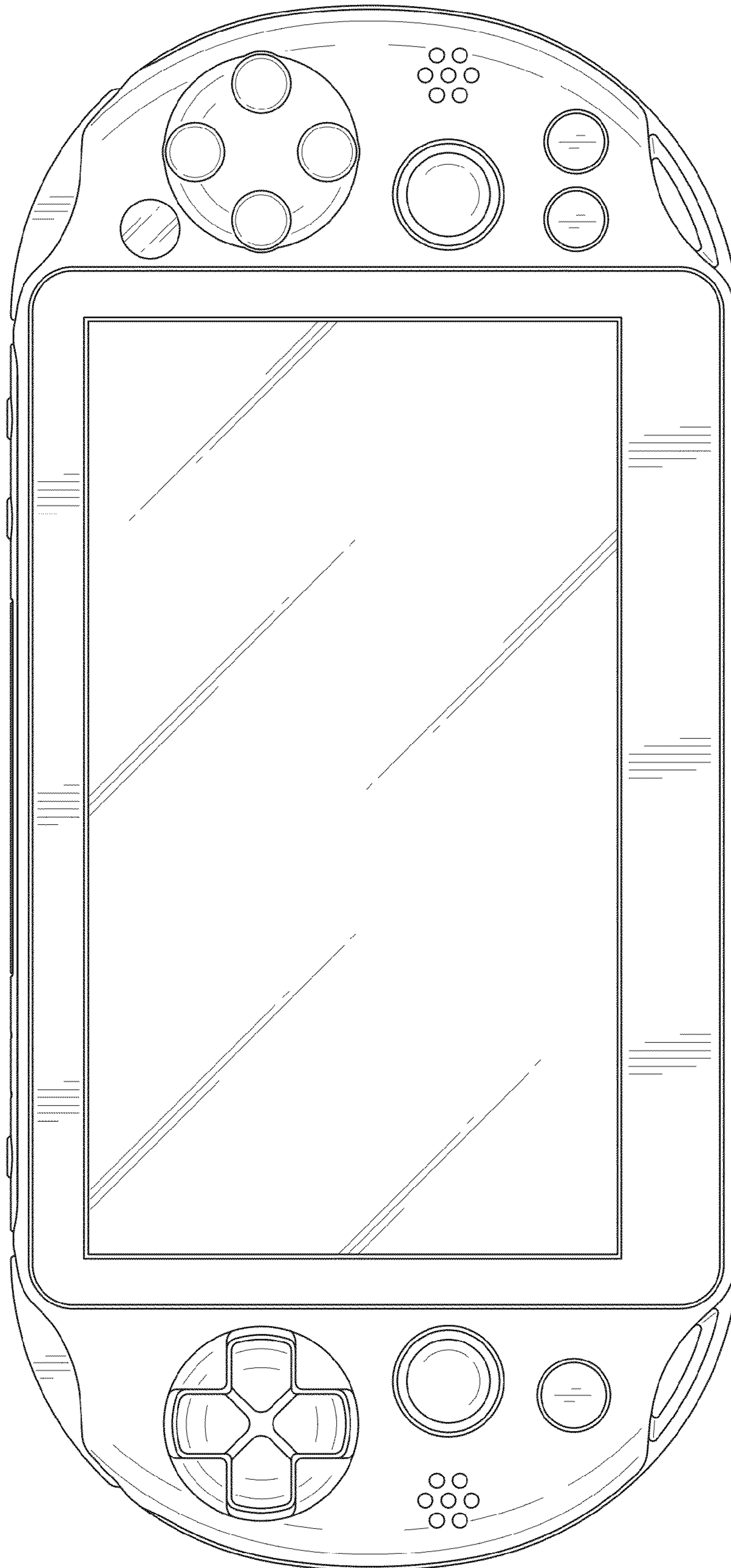


FIG. 5

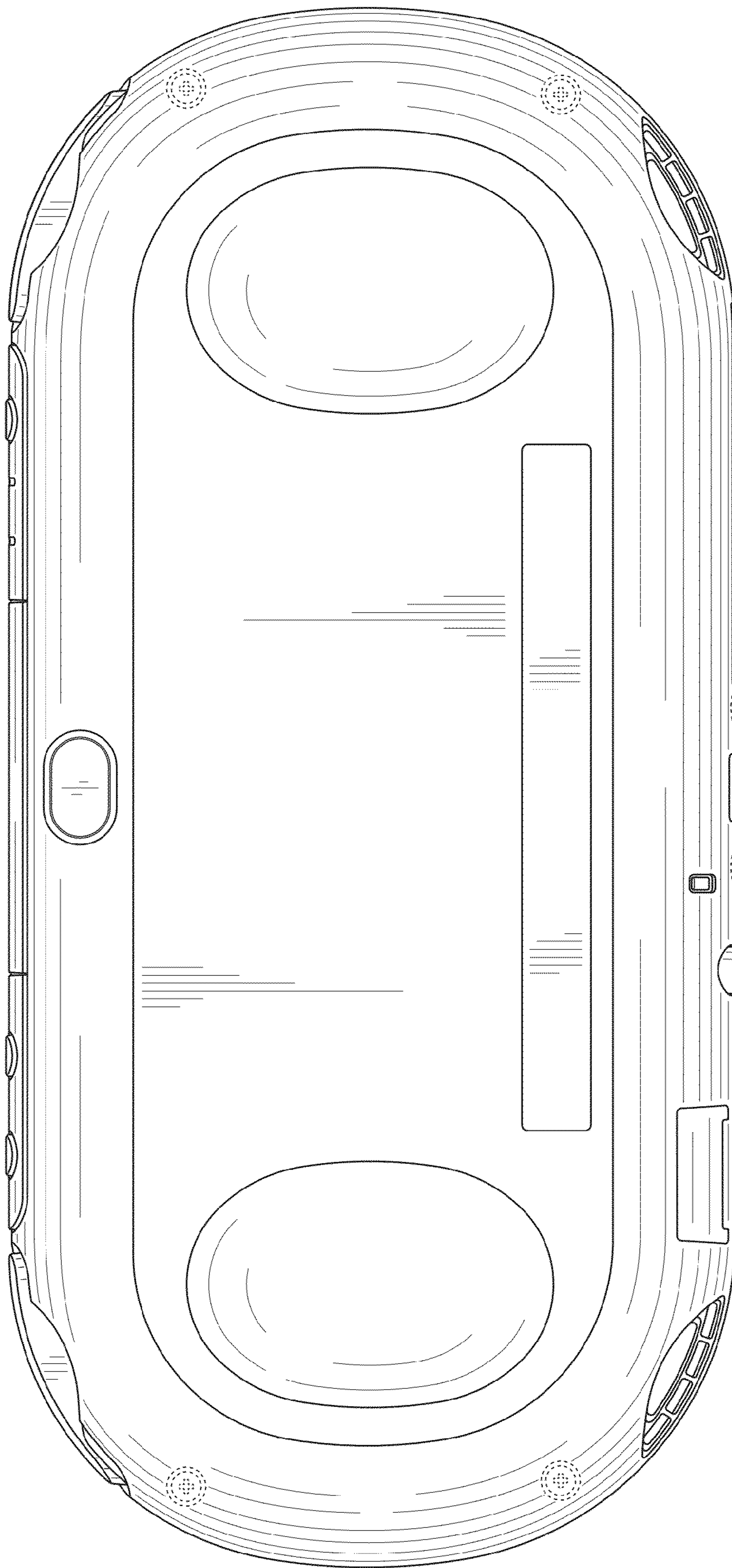


FIG. 6



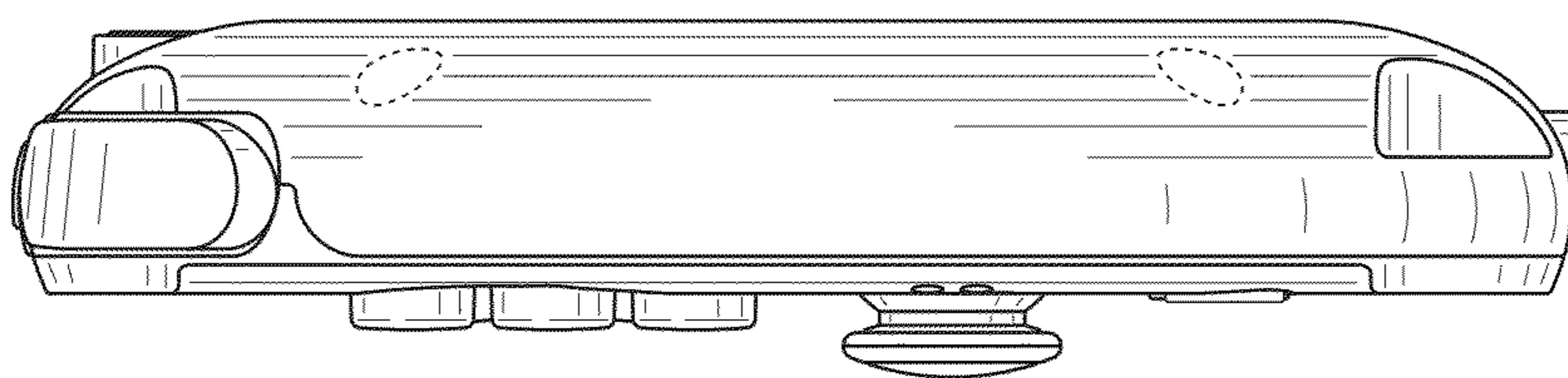


FIG. 8

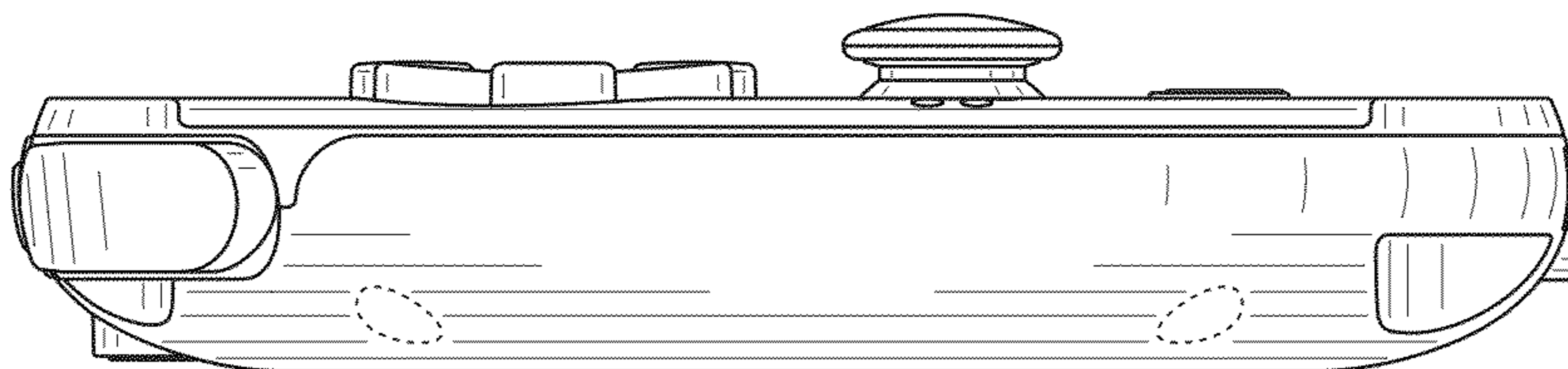


FIG. 7

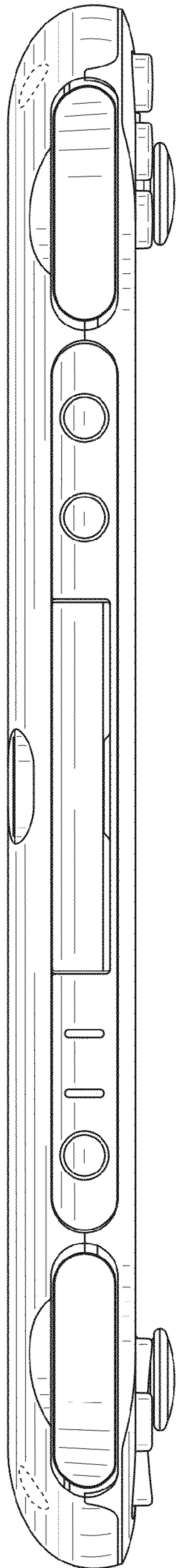


FIG. 9

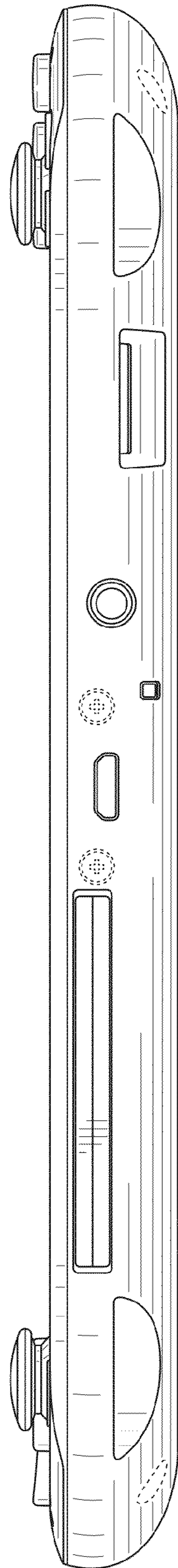


FIG. 10