



US00D741951S

(12) **United States Design Patent**
Angel

(10) **Patent No.:** **US D741,951 S**
(45) **Date of Patent:** **** Oct. 27, 2015**

- (54) **BAG TOSS GAME BOARD**
- (71) Applicant: **Javier A. Angel**, Toledo, OH (US)
- (72) Inventor: **Javier A. Angel**, Toledo, OH (US)
- (**) Term: **14 Years**
- (21) Appl. No.: **29/511,994**
- (22) Filed: **Dec. 16, 2014**
- (51) **LOC (10) Cl.** **21-01**
- (52) **U.S. Cl.**
USPC **D21/303**
- (58) **Field of Classification Search**
USPC D21/300, 302, 303, 318, 334; 273/317,
273/331, 336, 398, 400, 402, 407, 408, 410,
273/118 R, 123 R, 236, 348, 386, 287;
473/569, 578, 592
CPC A63B 63/00; A63B 67/00; A63B 71/00
See application file for complete search history.

- 5,007,644 A * 4/1991 Bluthardt A63B 67/02
273/DIG. 31
- 5,056,796 A * 10/1991 Conville A63B 67/06
273/402
- D363,953 S * 11/1995 Buse D21/303
- 6,428,420 B1 * 8/2002 Durnell A63B 67/02
473/162
- 7,523,942 B2 * 4/2009 Chung A63B 24/0021
273/317.1
- 8,376,871 B1 * 2/2013 Cloud A63B 67/02
473/163

* cited by examiner

Primary Examiner — Prabhakar Deshmukh

(74) *Attorney, Agent, or Firm* — Fraser Clemens Martin & Miller LLC; Charles F. Charpie

(57) **CLAIM**

The ornamental design for a bag toss game board, as shown and described.

DESCRIPTION

This application claim the benefit of pending U.S. Utility patent application Ser. No. 13/560,007, filed Jul. 27, 2012, the disclosure of which is incorporated herein by reference.

FIG. 1 is a top perspective view of a bag toss game board according to the design;

FIG. 2 is a bottom perspective view thereof;

FIG. 3 top plan view thereof;

FIG. 4 is a bottom plan view thereof;

FIG. 5 is a front elevational view thereof;

FIG. 6 is a back elevational view thereof; and,

FIG. 7 is a left side elevational view thereof, the right side elevational view being a mirror image thereof.

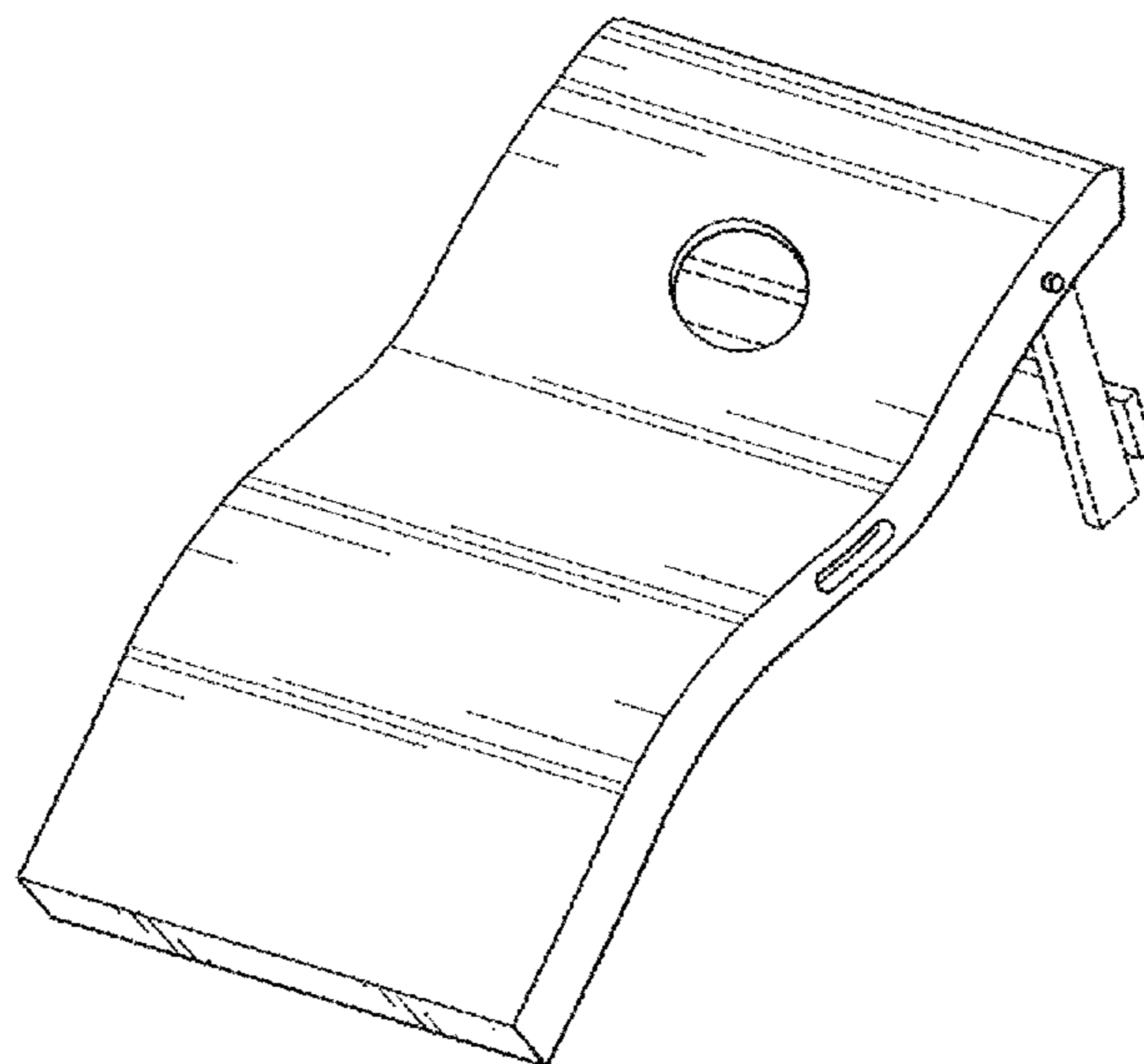
The broken lines indicate unclaimed portions and form no part of the claimed design.

1 Claim, 3 Drawing Sheets

(56) **References Cited**

U.S. PATENT DOCUMENTS

- 1,503,415 A * 7/1924 Fohmann A63F 7/305
273/123 R
- D102,423 S * 12/1936 Fuller D21/303
- D103,639 S * 3/1937 Ide D5/37
- D192,148 S * 1/1962 Brodie D21/303
- 3,294,894 A * 12/1966 Stillman, Jr. H02G 7/056
174/79
- 3,638,318 A * 2/1972 Herrmann A47B 27/00
33/403
- 4,961,586 A * 10/1990 Conville A63B 67/06
273/402



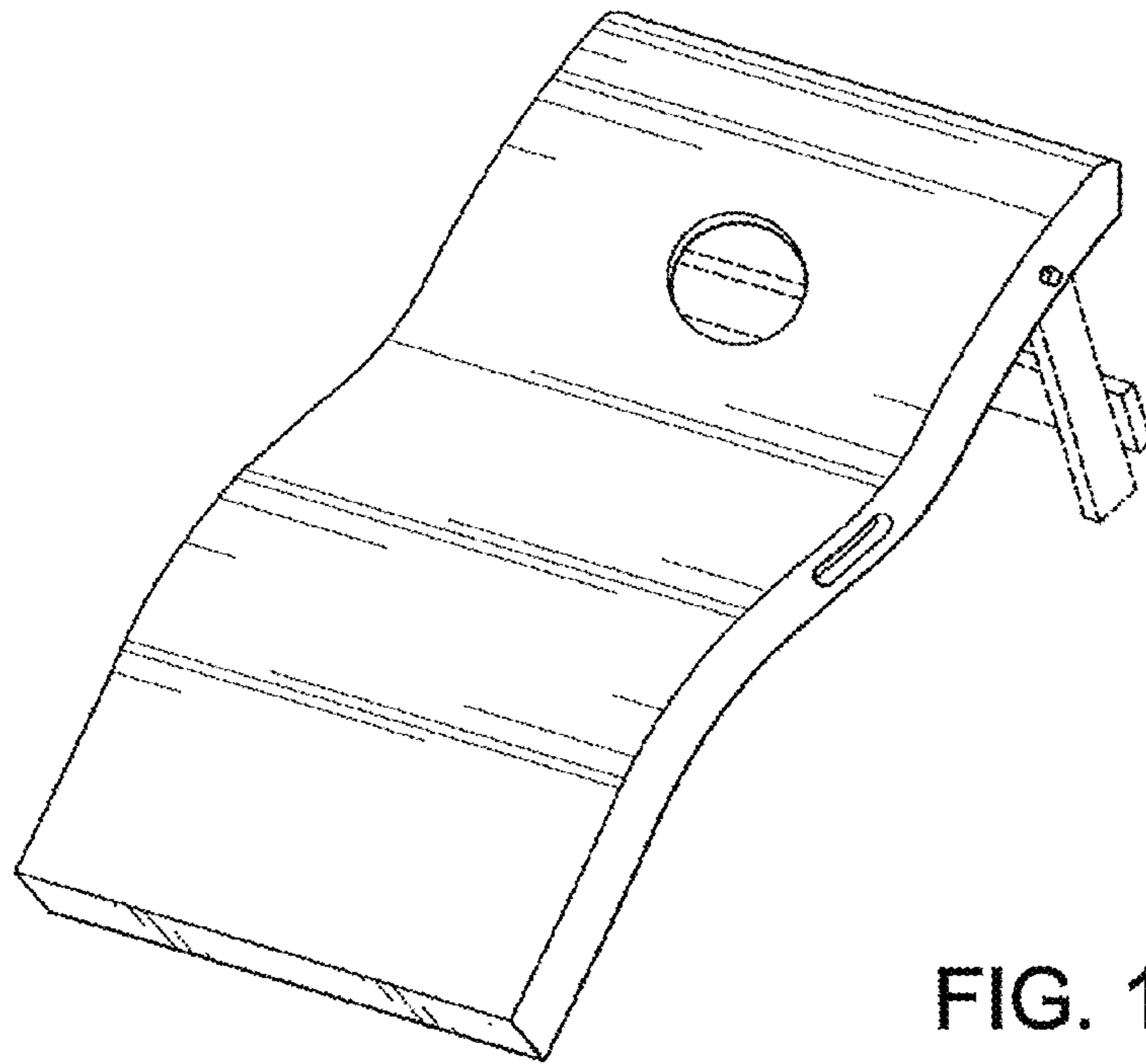


FIG. 1

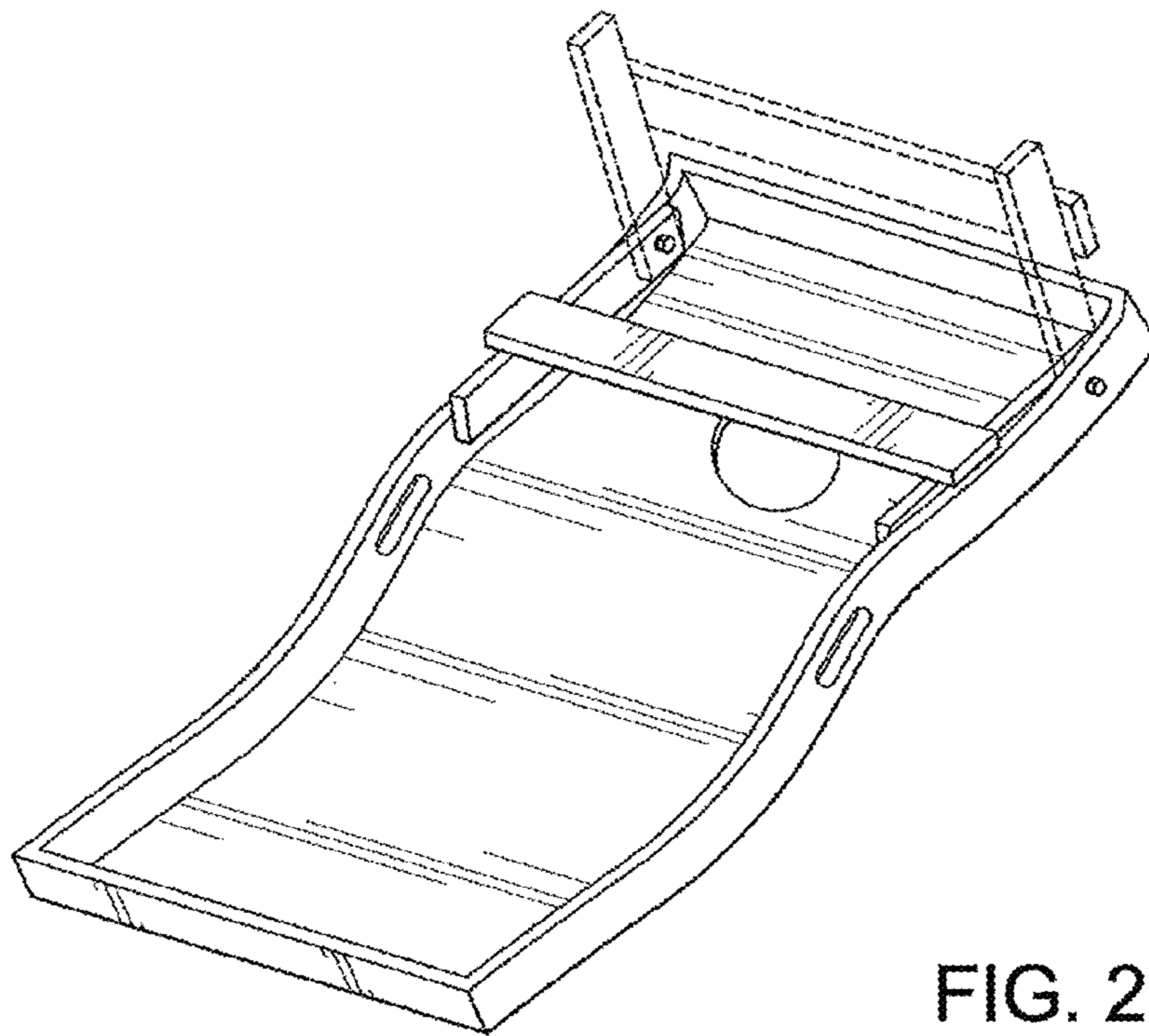


FIG. 2

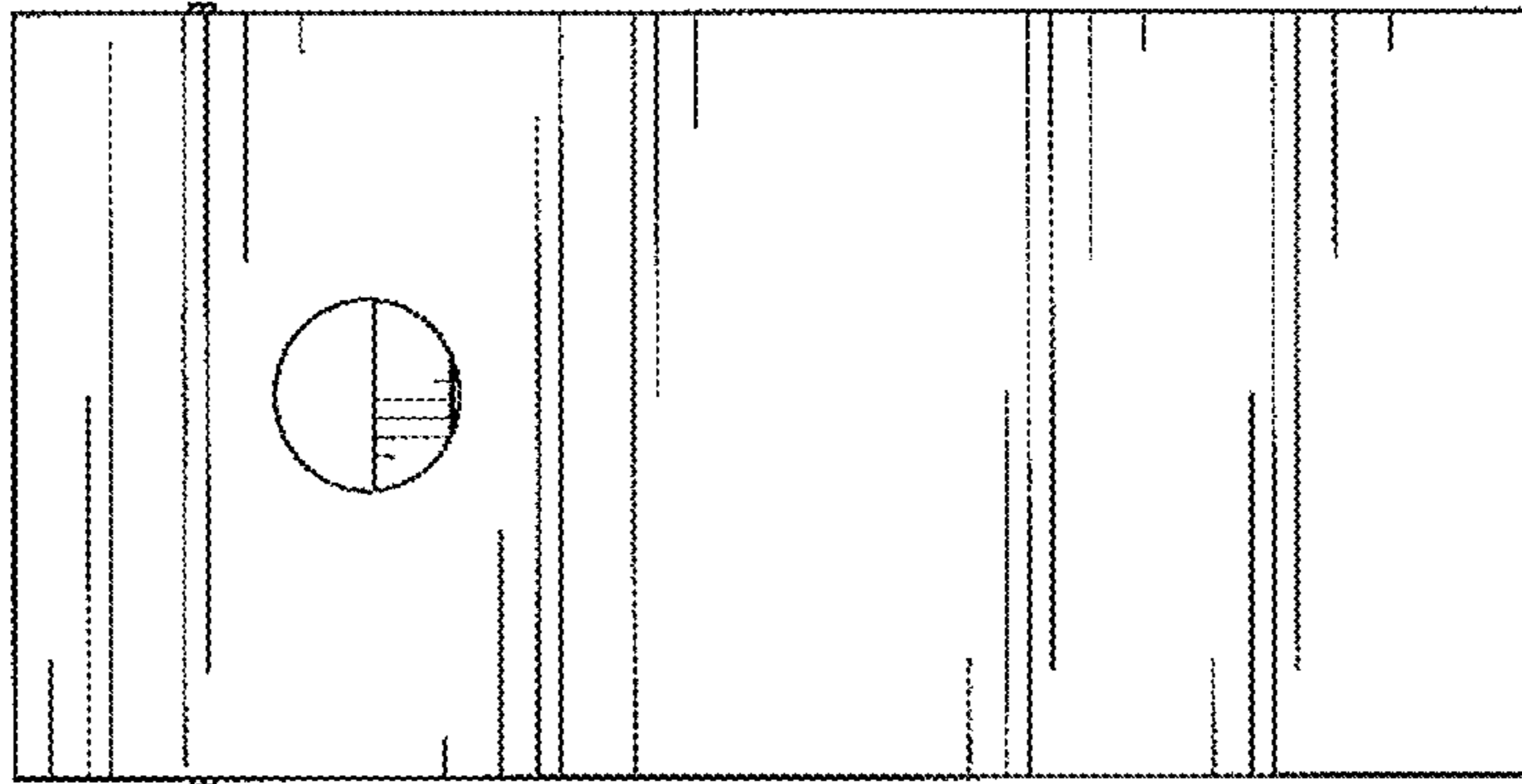


FIG. 3

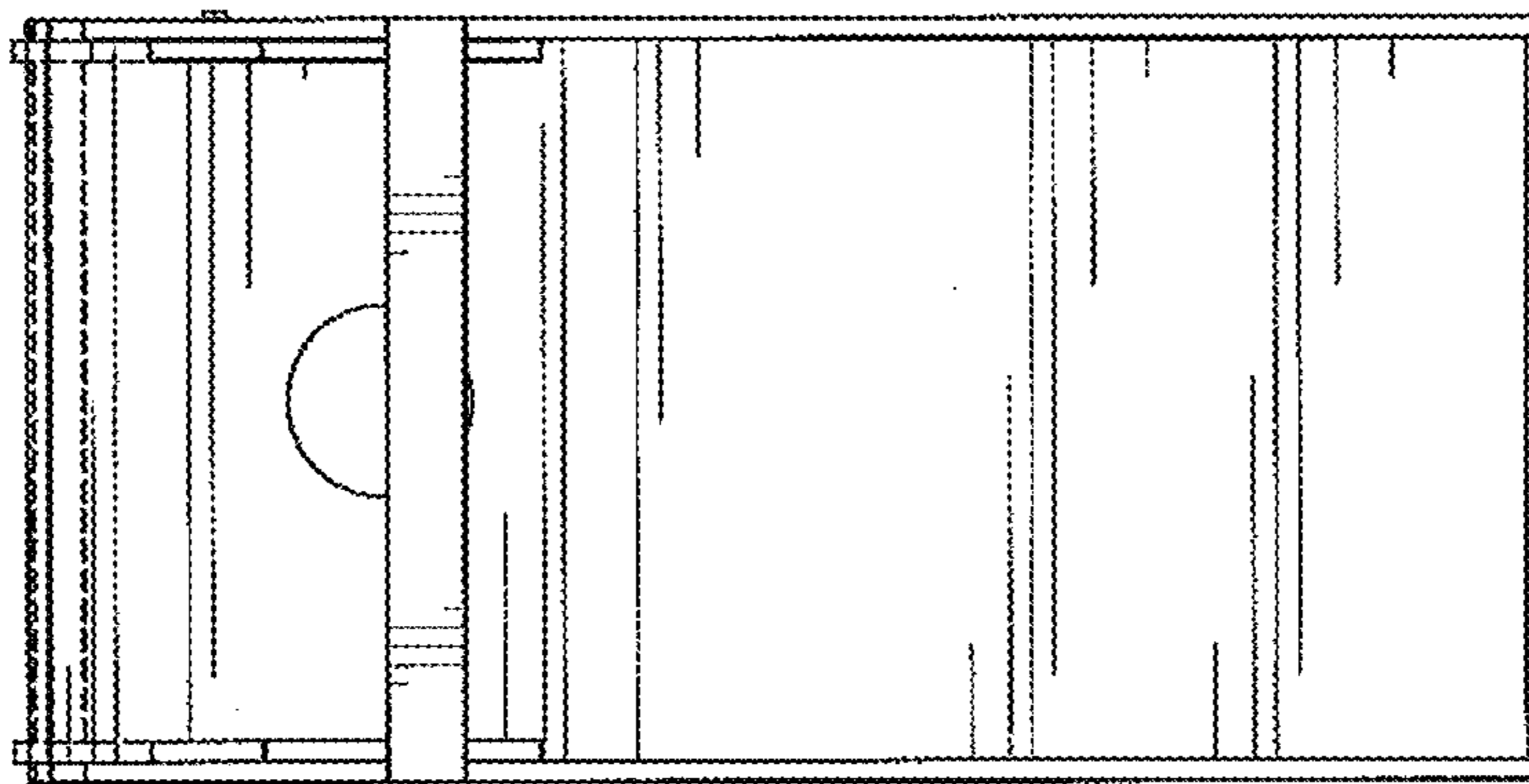


FIG. 4

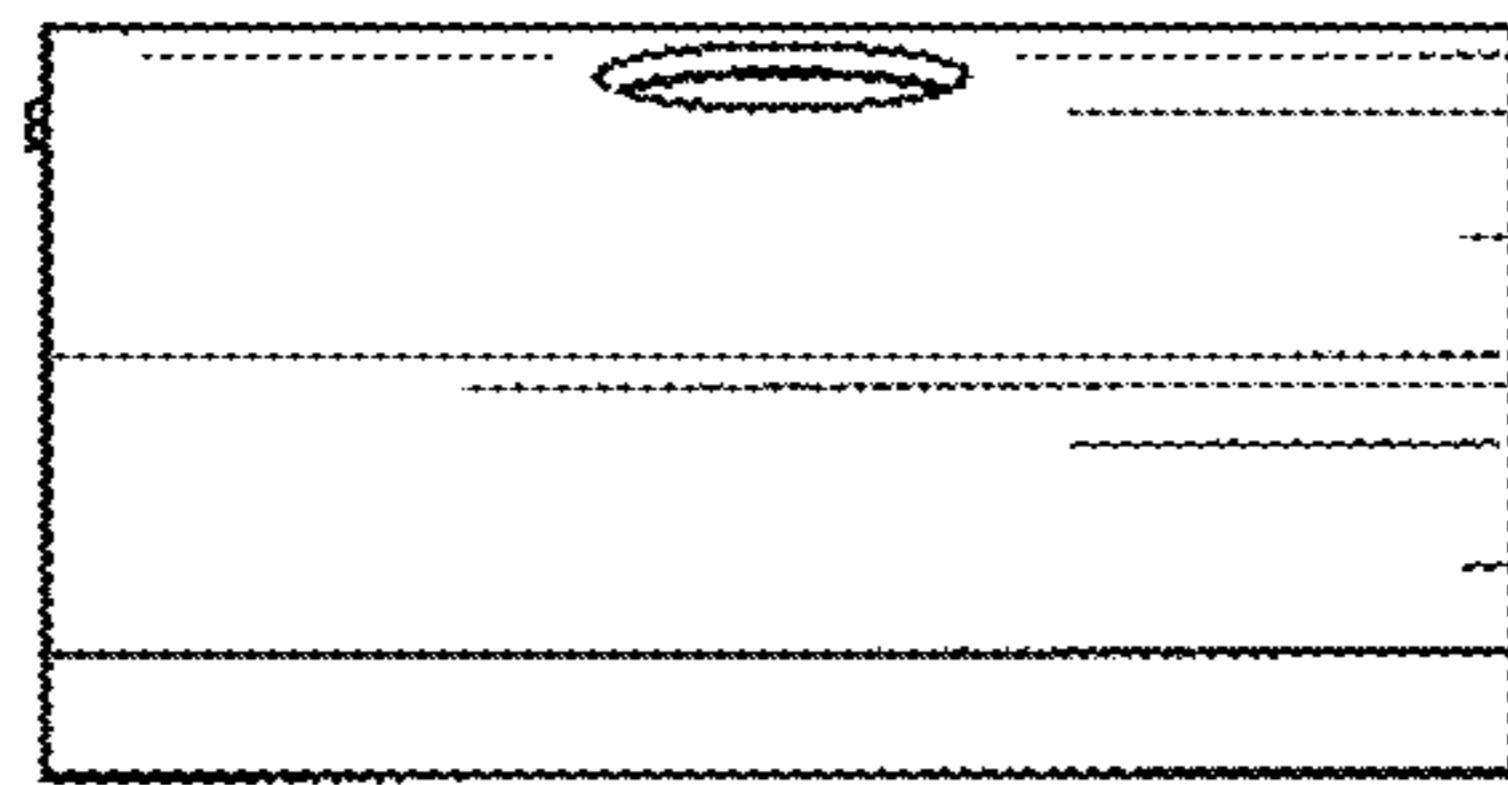


FIG. 5

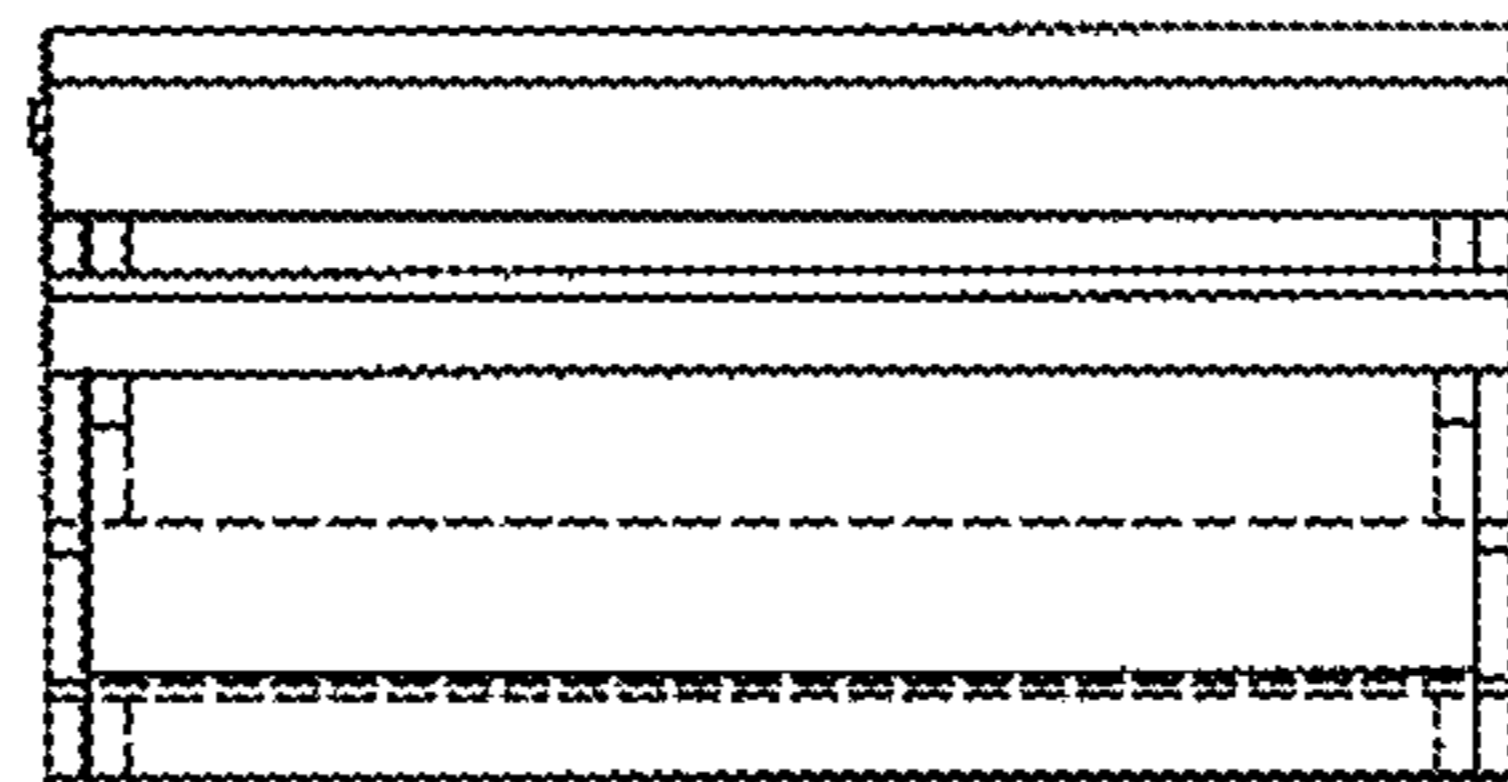


FIG. 6

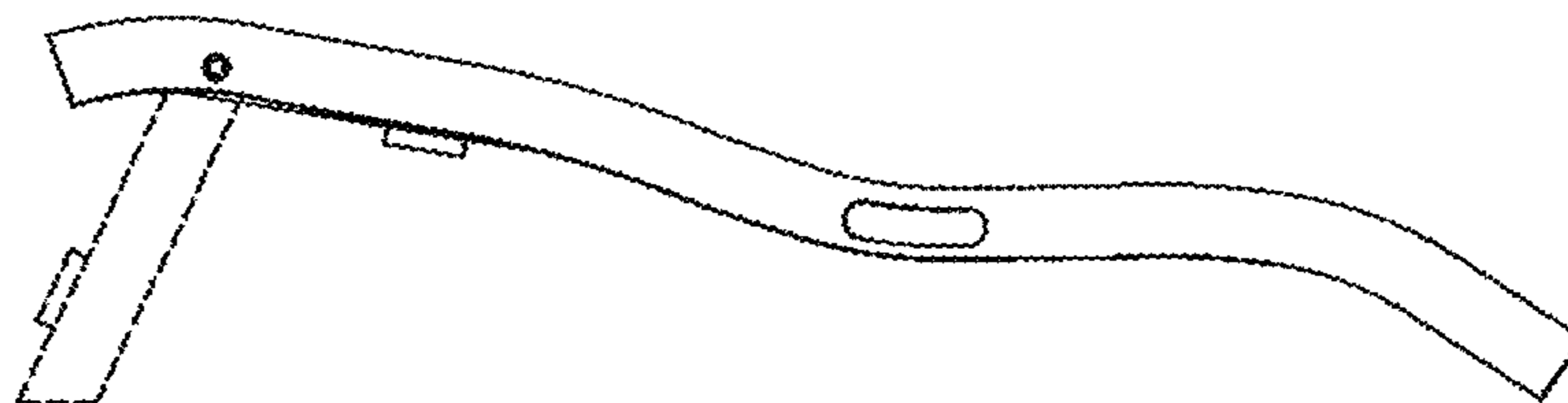


FIG. 7