



US00D741949S

(12) **United States Design Patent**
Clark, III et al.

(10) **Patent No.:** **US D741,949 S**

(45) **Date of Patent:** **** Oct. 27, 2015**

(54) **OFFICE MULTIFUNCTION MACHINE**

(71) Applicant: **Xerox Corporation**, Norwalk, CT (US)

(72) Inventors: **William T Clark, III**, Pittsford, NY (US); **Donald A Brown**, Honeoye Falls, NY (US); **Makoto Kemmochi**, Kanagawa (JP); **Hiroshi Nakada**, Kanagawa (JP)

(73) Assignee: **XEROX CORPORATION**, Norwalk, CT (US)

(**) Term: **14 Years**

(21) Appl. No.: **29/501,787**

(22) Filed: **Sep. 9, 2014**

(51) **LOC (10) Cl.** **18-02**

(52) **U.S. Cl.**
USPC **D18/53**

(58) **Field of Classification Search**
USPC D18/53, 56, 59, 36, 38, 39, 40, 41, 45, D18/50, 54; D14/301, 307; 399/16, 75, 81, 399/131, 151, 361, 365, 367, 381-385, 388
CPC ... G06K 15/12; G06K 15/14; H04N 1/00204; H04N 1/00249; H04N 1/00278; B41J 3/00; B41J 3/28; B41J 3/445; B41J 3/46
See application file for complete search history.

(56) **References Cited**

U.S. PATENT DOCUMENTS

D370,690 S * 6/1996 Pangburn D18/39
D484,180 S * 12/2003 Penke D18/40
D619,639 S * 7/2010 Brown D18/40
D620,521 S * 7/2010 Penke D18/40
D628,619 S * 12/2010 Penke D18/40

D648,380 S * 11/2011 Clark, III D18/53
D650,417 S * 12/2011 Brown D18/53
D666,666 S * 9/2012 Brown D18/53
D678,941 S * 3/2013 Gilbert D18/55
D686,277 S * 7/2013 Gilbert D18/55
D689,544 S * 9/2013 Penke D18/50
D728,679 S * 5/2015 Clark, III D18/53
2002/0041773 A1* 4/2002 Smith G03G 15/00
399/107

FOREIGN PATENT DOCUMENTS

JP D1529830 * 3/2015

* cited by examiner

Primary Examiner — Bridget L Eland

Assistant Examiner — Lauren McVey

(57) **CLAIM**

The ornamental design for an office multifunction machine, as shown and described.

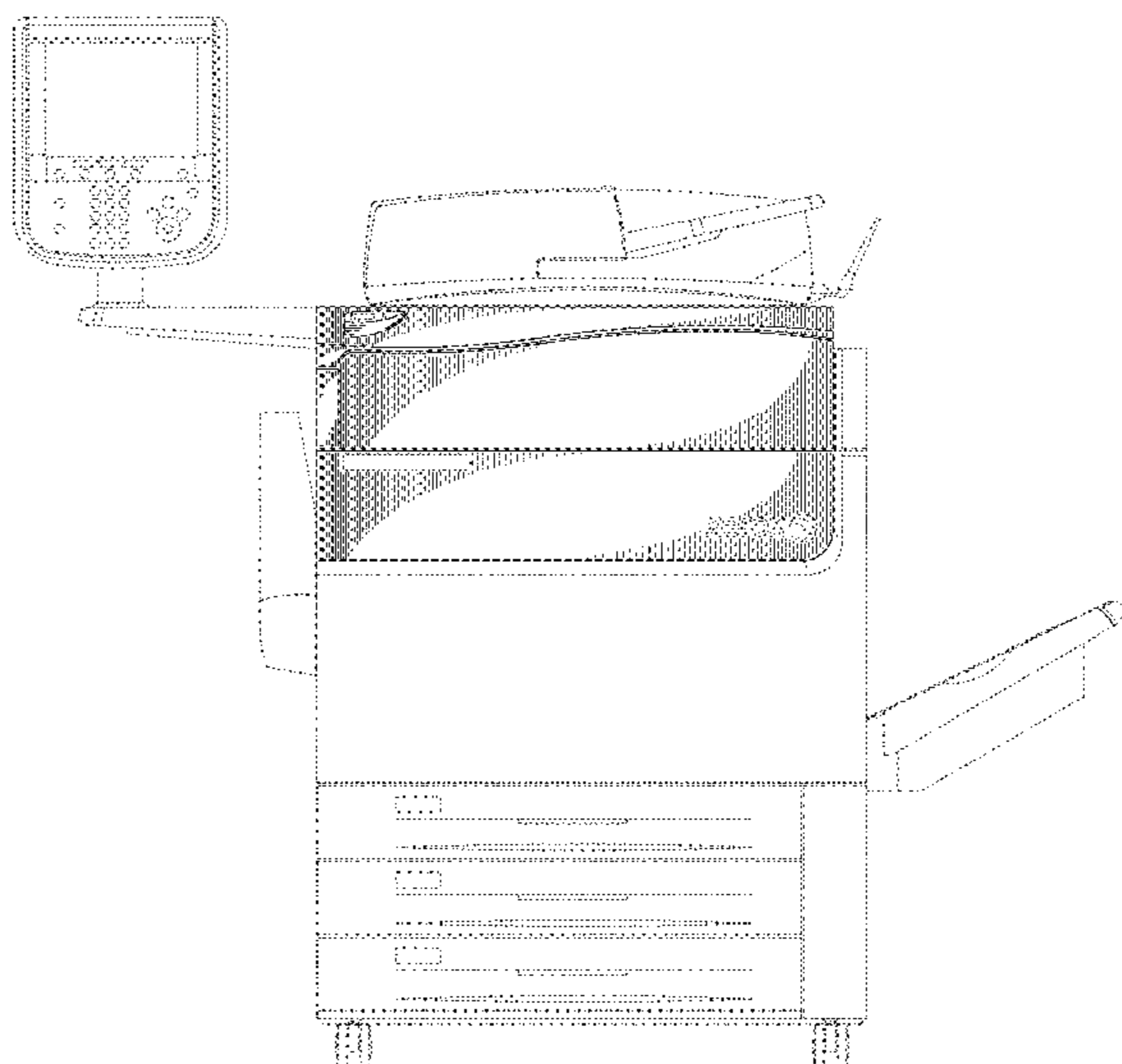
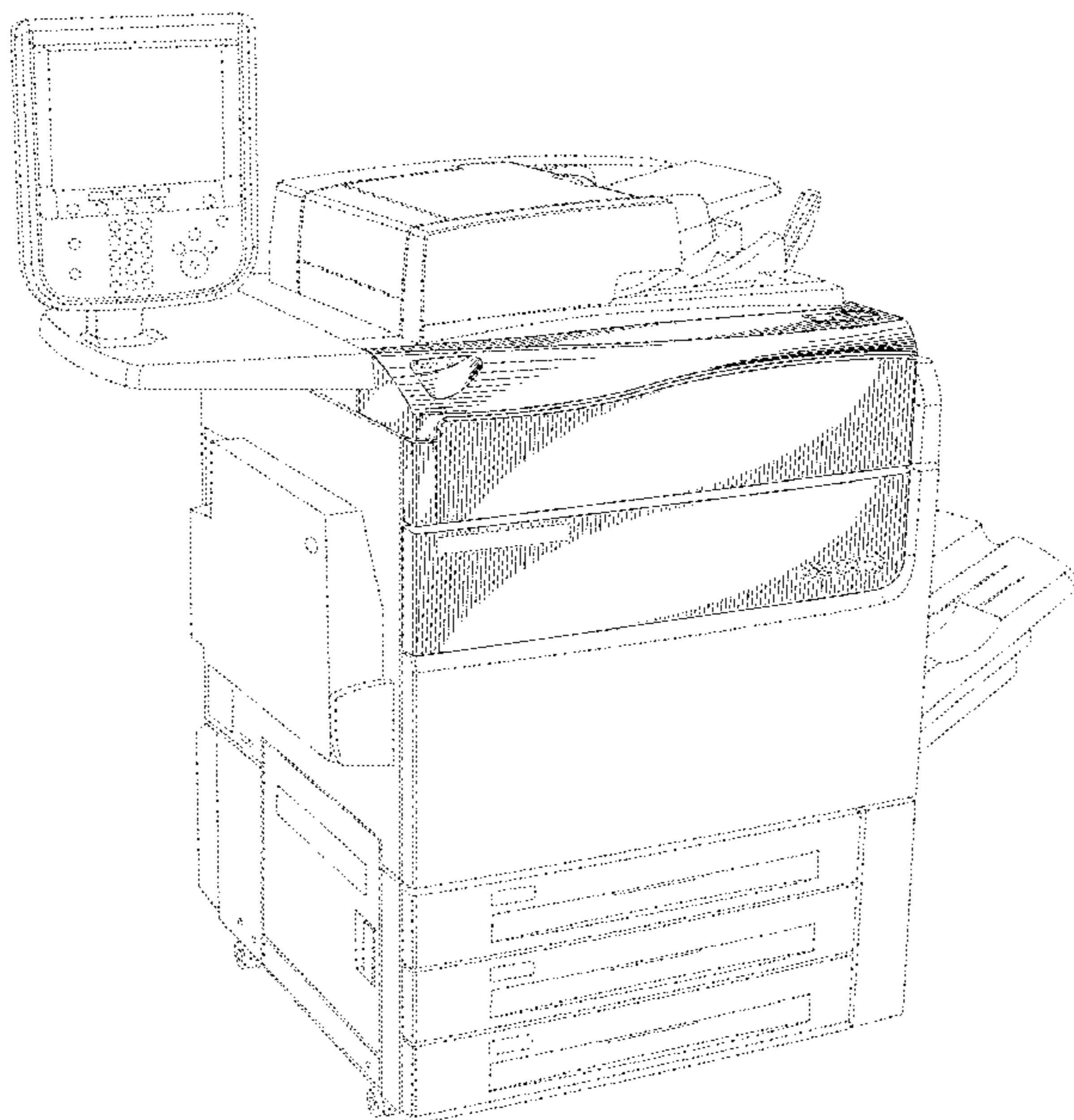
DESCRIPTION

FIG. 1 is a perspective view of an office multifunction machine in accordance with the present invention;
FIG. 2 is a front view thereof;
FIG. 3 is a right side view thereof;
FIG. 4 is a rear view thereof;
FIG. 5 is a left side view thereof;
FIG. 6 is a top plan view thereof; and,
FIG. 7 is a bottom plan view thereof.

The broken lines shown in the views are included for the purpose of illustrating portions of the office multifunction printer that form no part of the claimed design.

The xerox logo forming part of the disclosure is a registered trademark of Xerox Corporation.

1 Claim, 7 Drawing Sheets



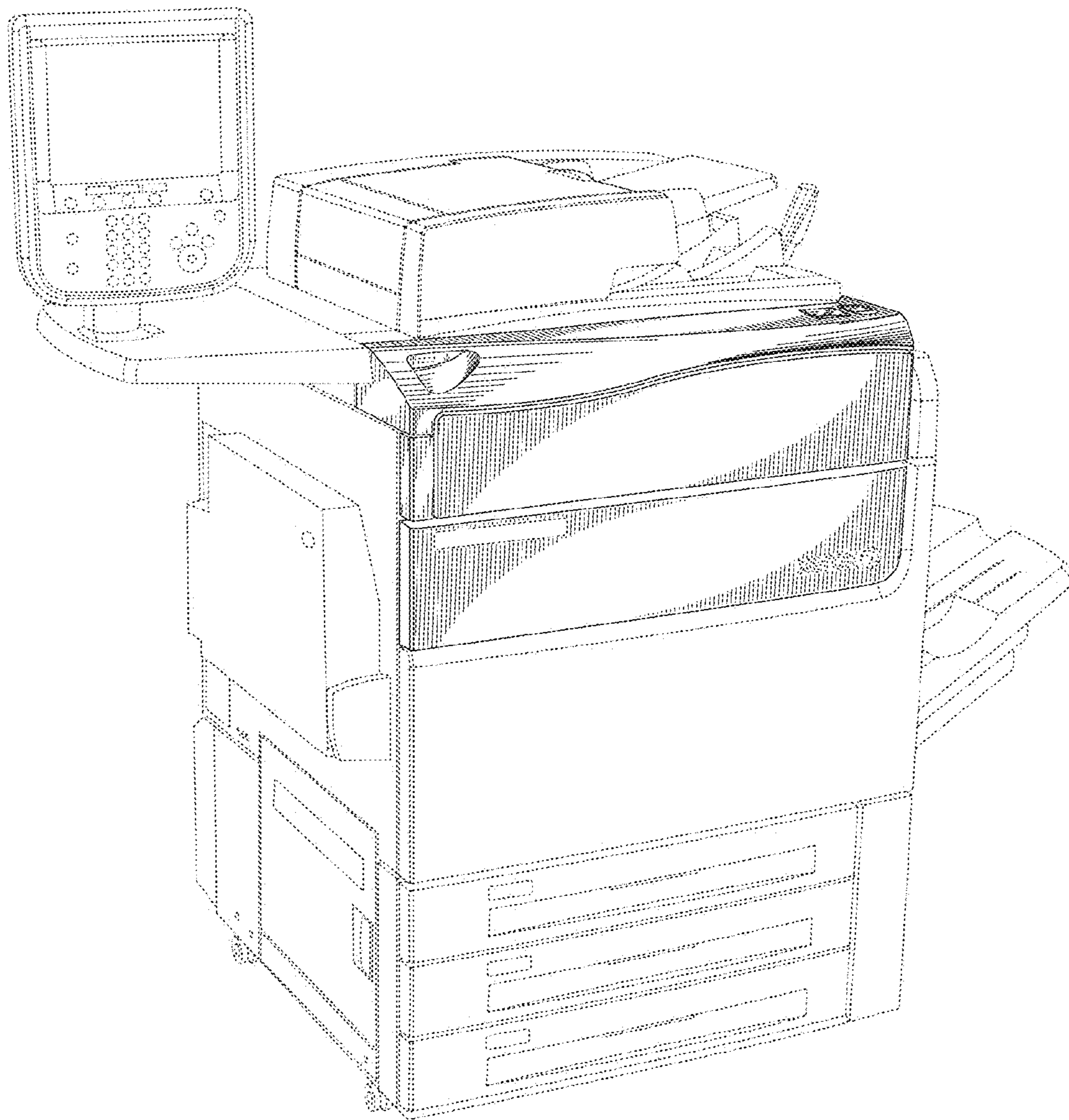


FIG. 1

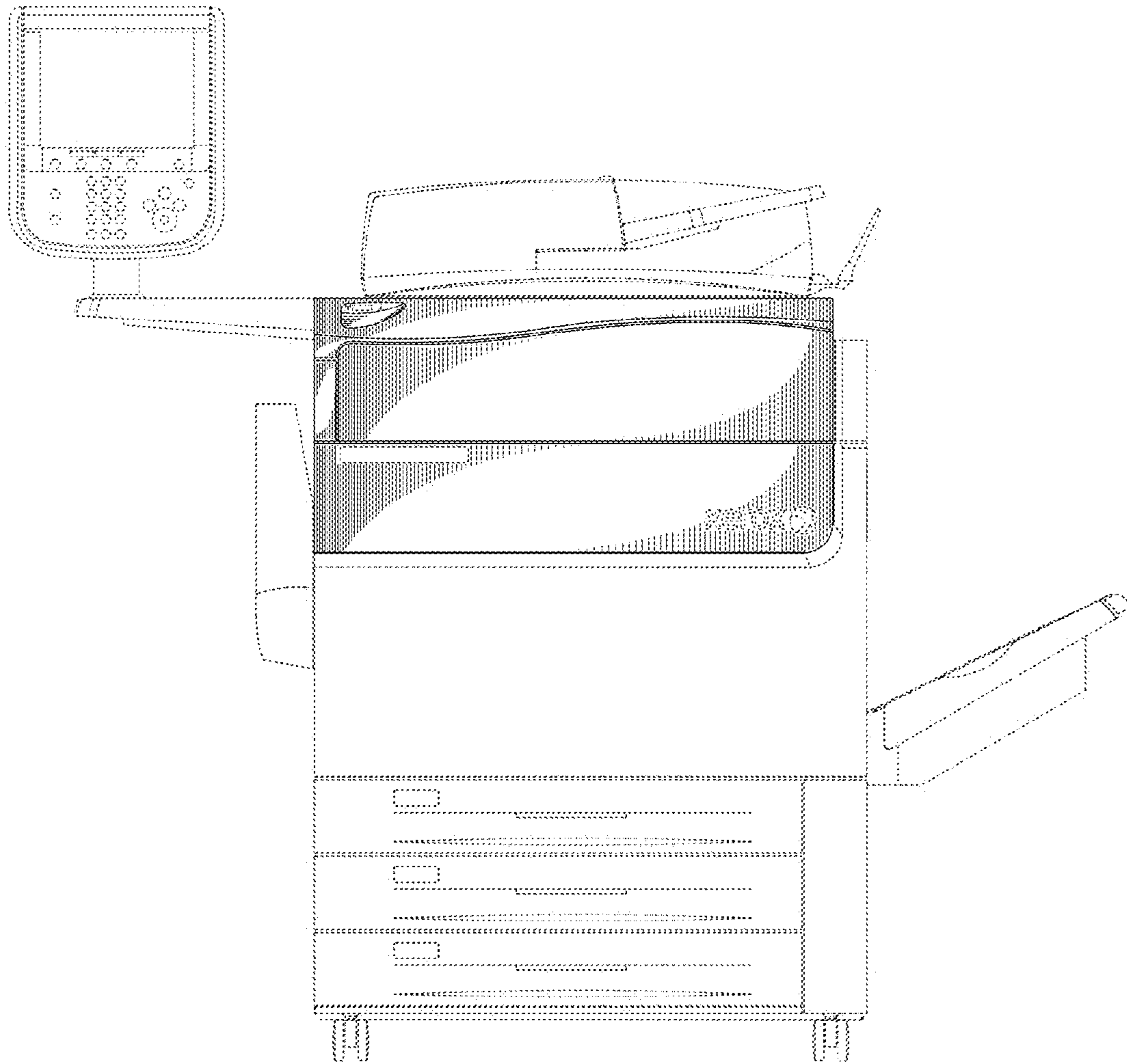


FIG. 2

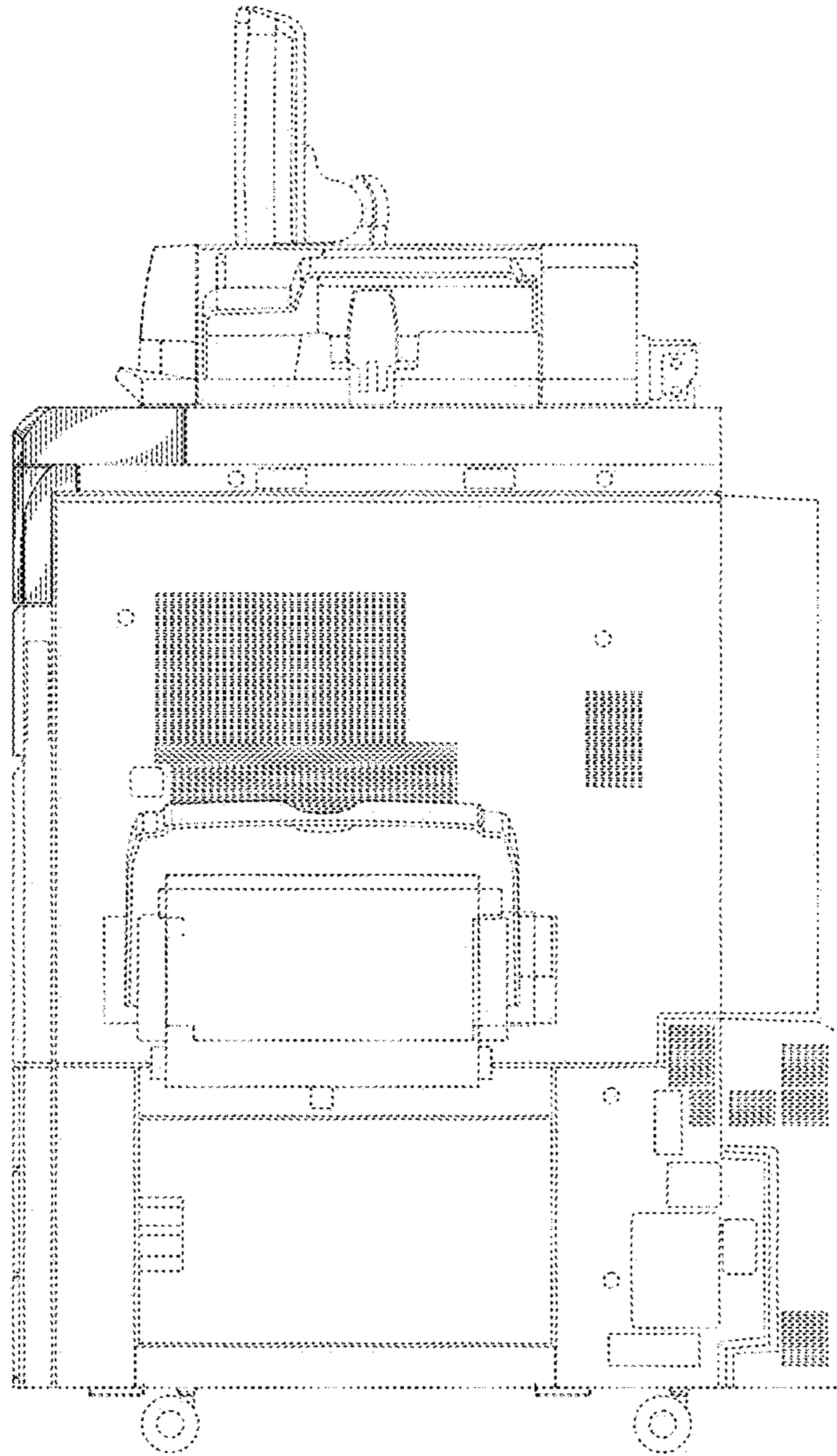


FIG. 3

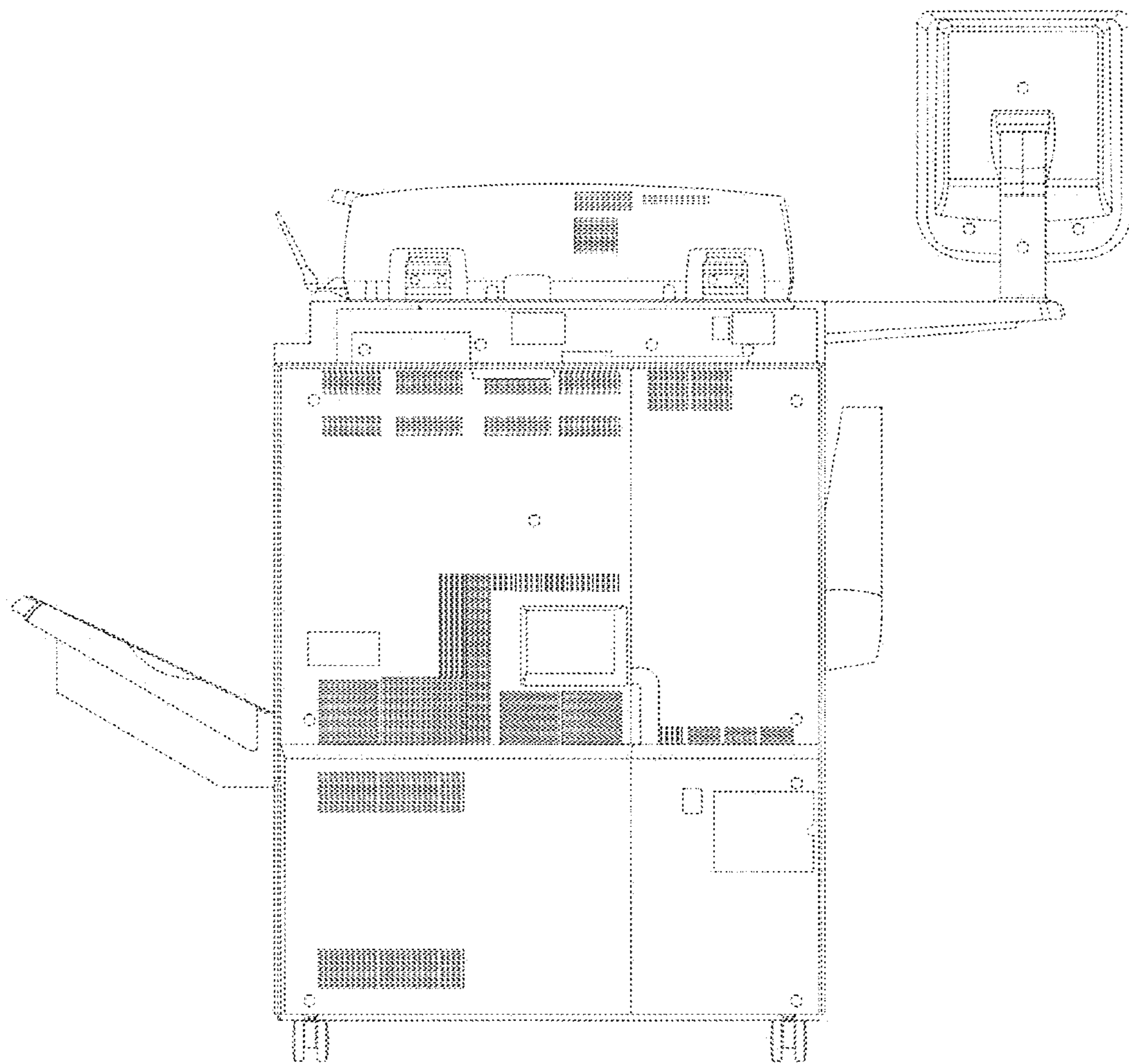


FIG. 4

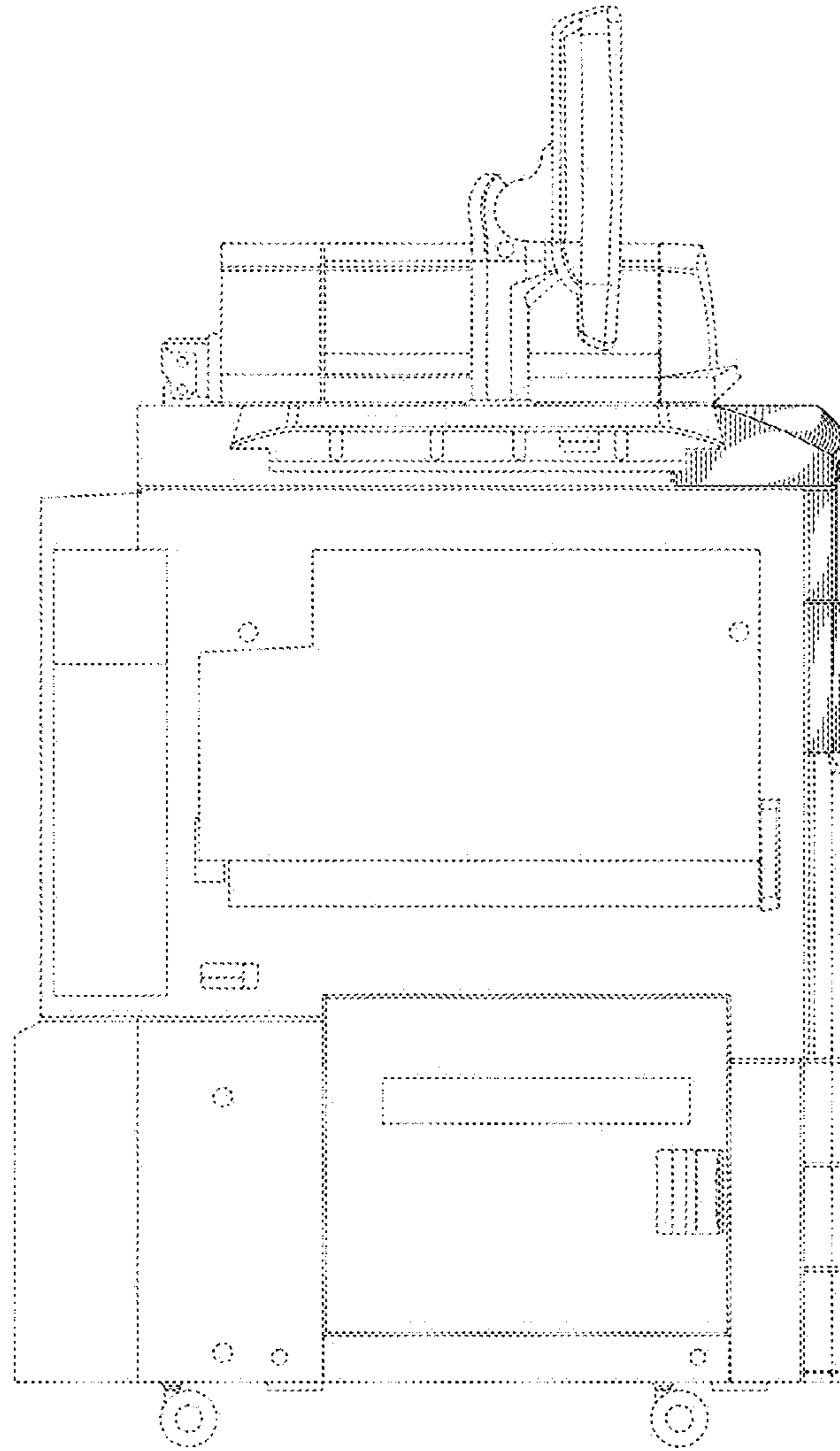


FIG. 5

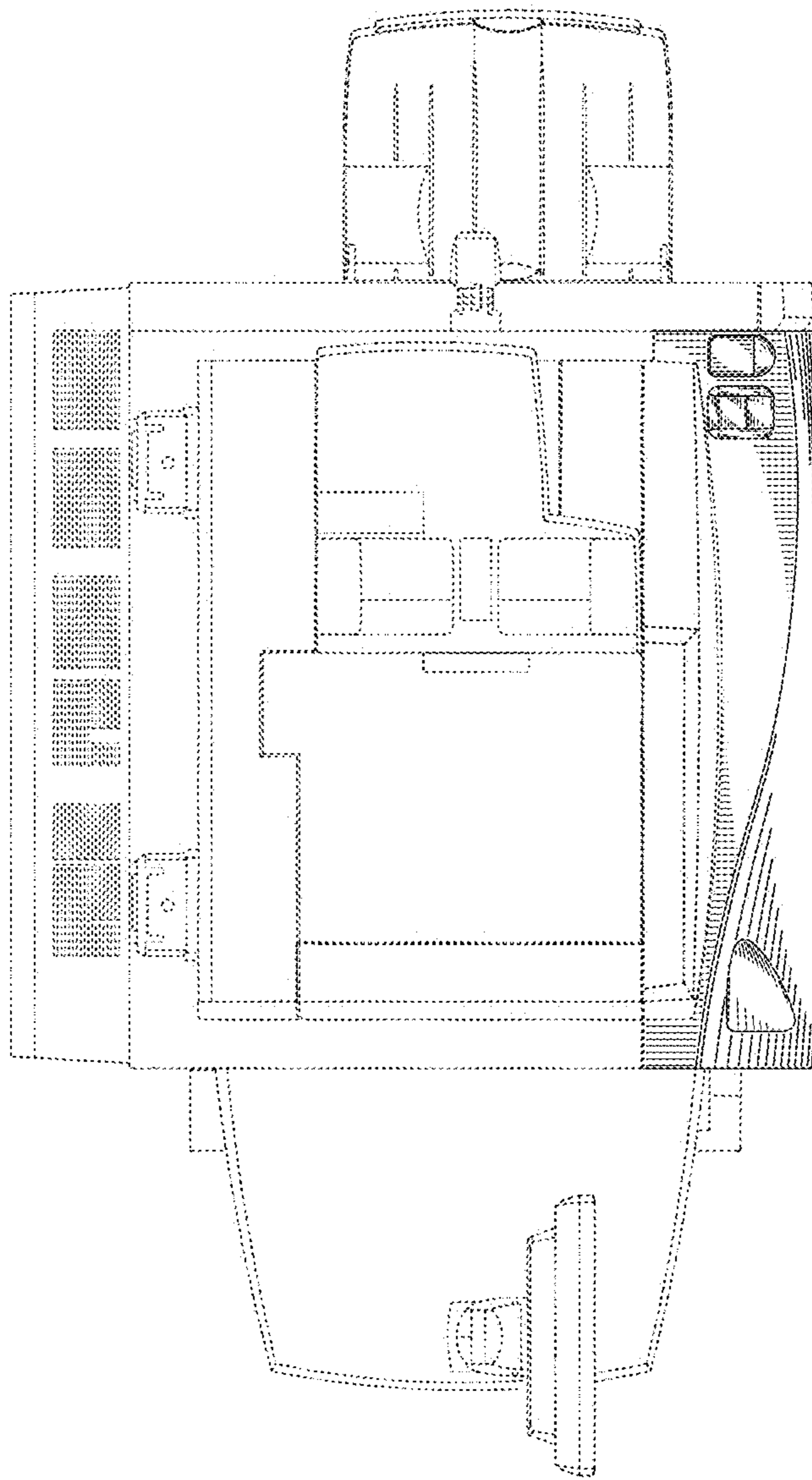


FIG. 6

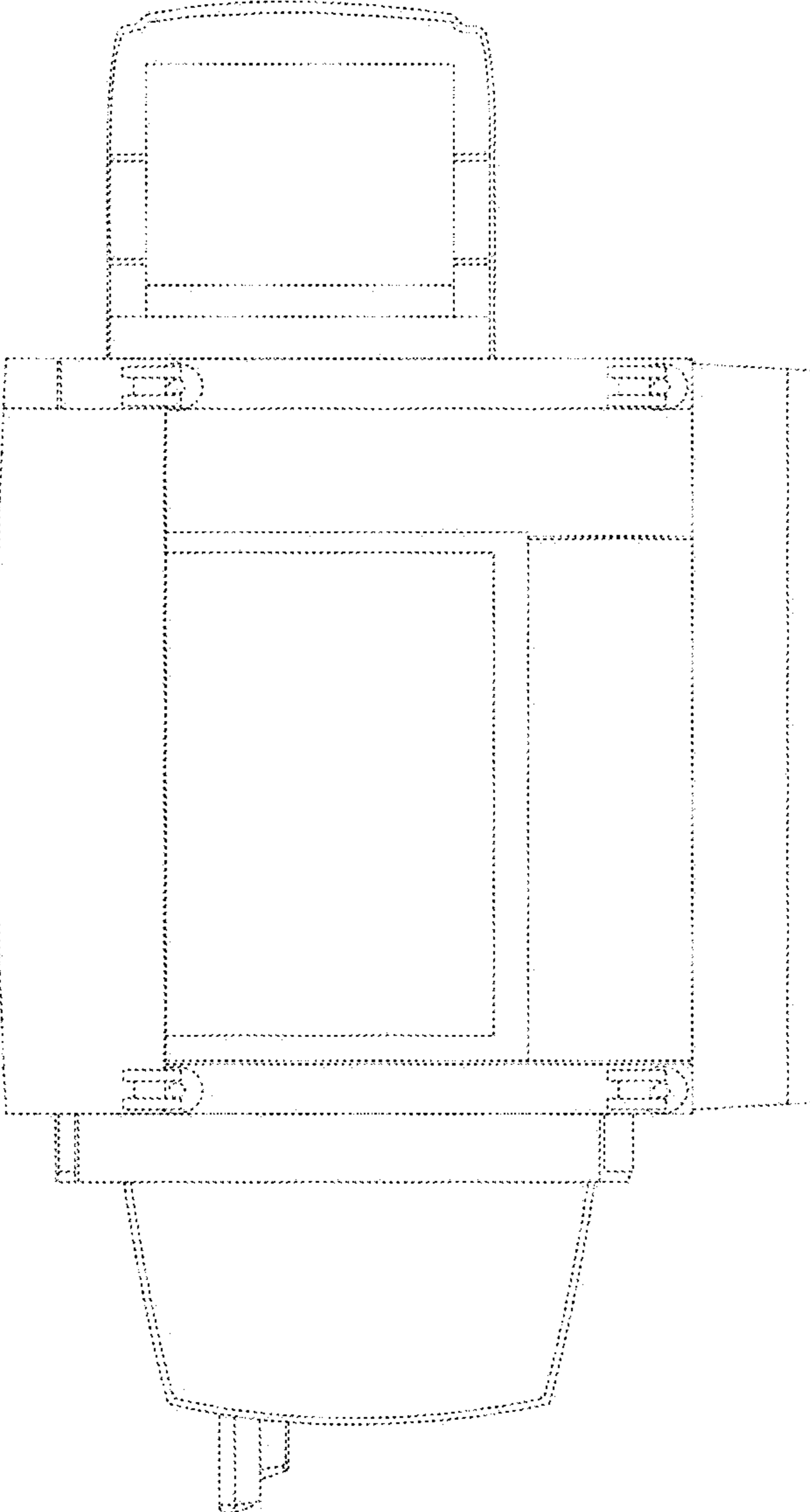


FIG. 7