



US00D741948S

(12) **United States Design Patent**  
**Backs et al.**

(10) **Patent No.:** **US D741,948 S**  
(45) **Date of Patent:** **\*\* Oct. 27, 2015**

(54) **PRINTER**

(71) Applicant: **Samsung Electronics Co., Ltd.**,  
Suwon-si, Gyeonggi-do (KR)

(72) Inventors: **Jochen Backs**, San Francisco, CA (US);  
**Kwang-Hyuck So**, Seoul (KR);  
**Won-Suk Chung**, Seoul (KR)

(73) Assignee: **SAMSUNG ELECTRONICS CO., LTD.** (KR)

(\*\*) Term: **14 Years**

(21) Appl. No.: **29/483,305**

(22) Filed: **Feb. 27, 2014**

(30) **Foreign Application Priority Data**

Sep. 17, 2013 (KR) ..... 30-2013-0048026

(51) **LOC (10) Cl.** ..... **14-02**

(52) **U.S. Cl.**  
USPC ..... **D18/50**

(58) **Field of Classification Search**  
USPC ..... D18/50, 54, 54.1, 55; D14/420-426,  
D14/462-470; 400/613, 613.1-613.4,  
400/690.1-690.4, 691-694; D16/223, 232,  
D16/235; D24/158

See application file for complete search history.

(56) **References Cited**

**U.S. PATENT DOCUMENTS**

D217,741 S \* 6/1970 Simonelli ..... D16/232  
D322,264 S \* 12/1991 Jewison ..... D16/232  
D396,871 S \* 8/1998 McNulty ..... D16/232

D409,992 S \* 5/1999 Mockett ..... D14/451  
D482,382 S \* 11/2003 Kurokawa ..... D16/235  
D608,047 S \* 1/2010 Scheper et al. .... D26/138  
D636,928 S \* 4/2011 Lin ..... D26/138  
D667,042 S \* 9/2012 Shen ..... D16/232  
D677,707 S \* 3/2013 Shen ..... D16/232  
D681,107 S \* 4/2013 Larson et al. .... D18/50  
D684,975 S \* 6/2013 Hoskinson et al. .... D14/420  
D699,242 S \* 2/2014 Hu ..... D14/423  
D716,787 S \* 11/2014 Takabatake ..... D14/423  
D717,855 S \* 11/2014 Hong ..... D16/232  
D723,024 S \* 2/2015 Yoo et al. .... D14/253

\* cited by examiner

*Primary Examiner* — Cathy Anne MacCormac

(74) *Attorney, Agent, or Firm* — Cantor Colburn LLP

(57) **CLAIM**

The ornamental design for a printer, as shown and described.

**DESCRIPTION**

FIG. 1 is a front perspective view of a printer showing our new design;  
FIG. 2 is a front view thereof;  
FIG. 3 is a rear view thereof;  
FIG. 4 is a left side view thereof;  
FIG. 5 is a right side view thereof;  
FIG. 6 is a top view thereof;  
FIG. 7 is a bottom view thereof; and,  
FIG. 8 is another front perspective view thereof, showing the printer in an environment with an imaging device.  
The broken lines illustrating portions of the printer depict environmental subject matter and form no part of the claimed design. The dot-dash broken lines on FIGS. 1, 2, 3, 4, 5, 6 and 8 represent unclaimed boundary lines, are for illustration only and form no part of the claimed design.

**1 Claim, 7 Drawing Sheets**

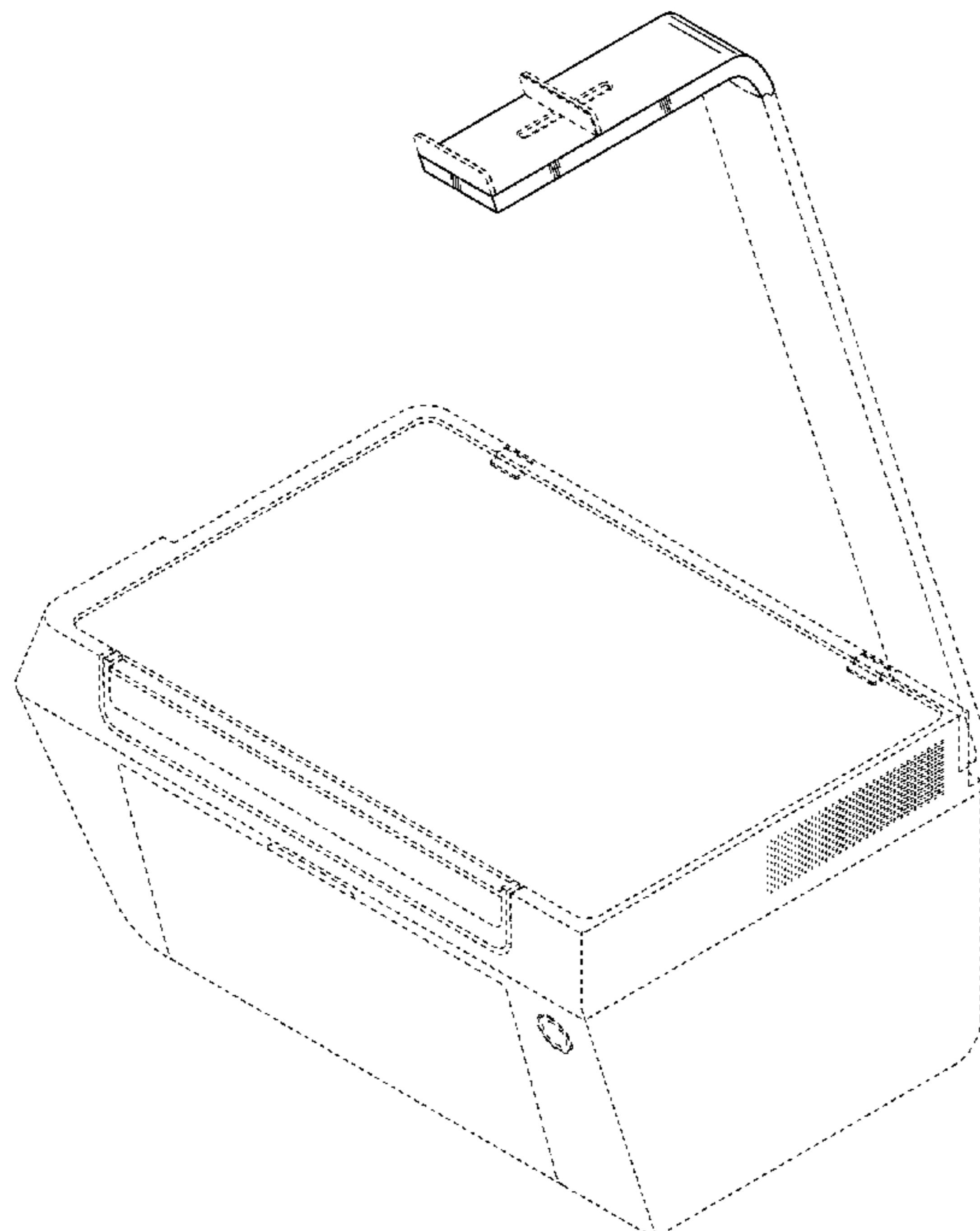


FIG. 1

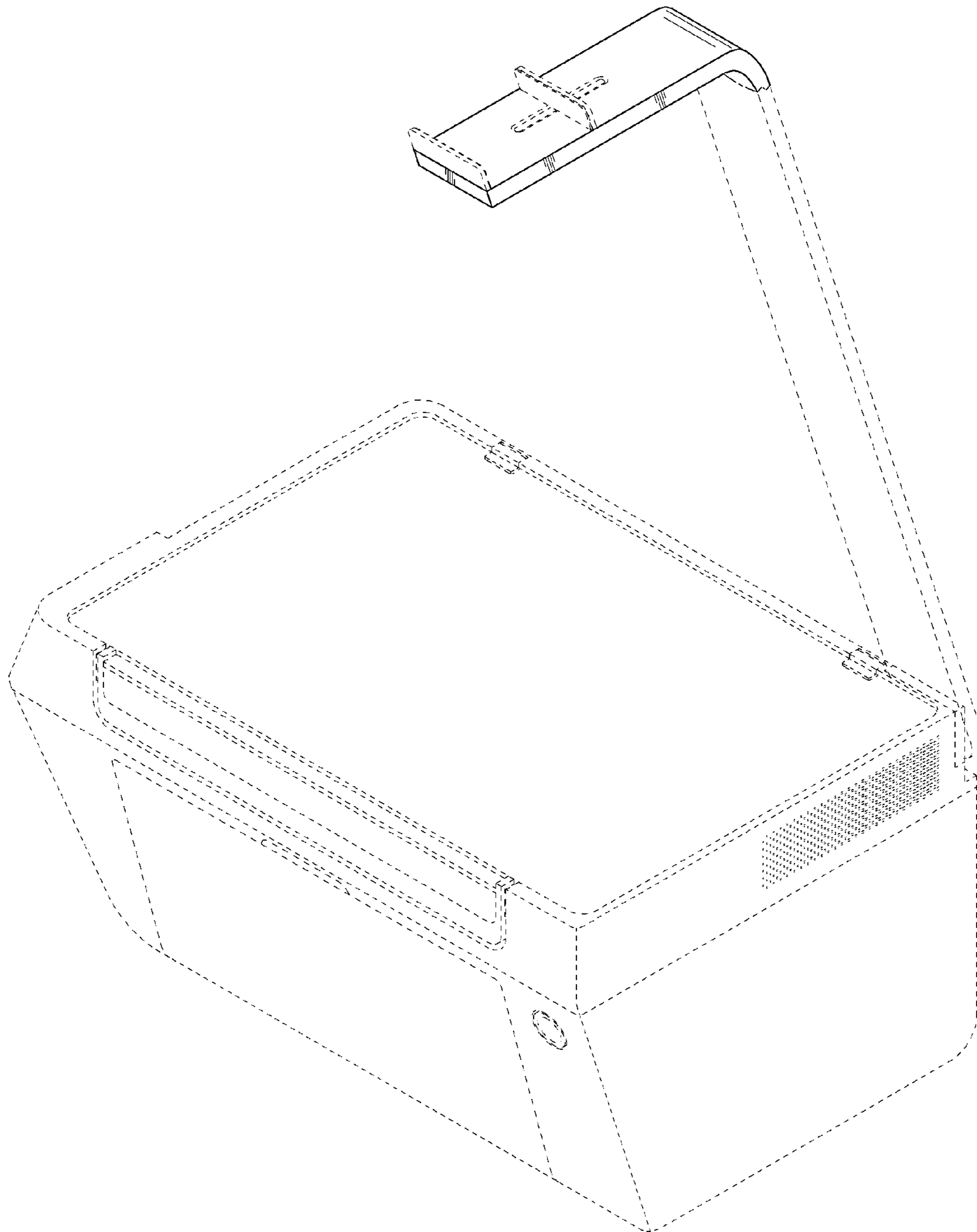


FIG.2

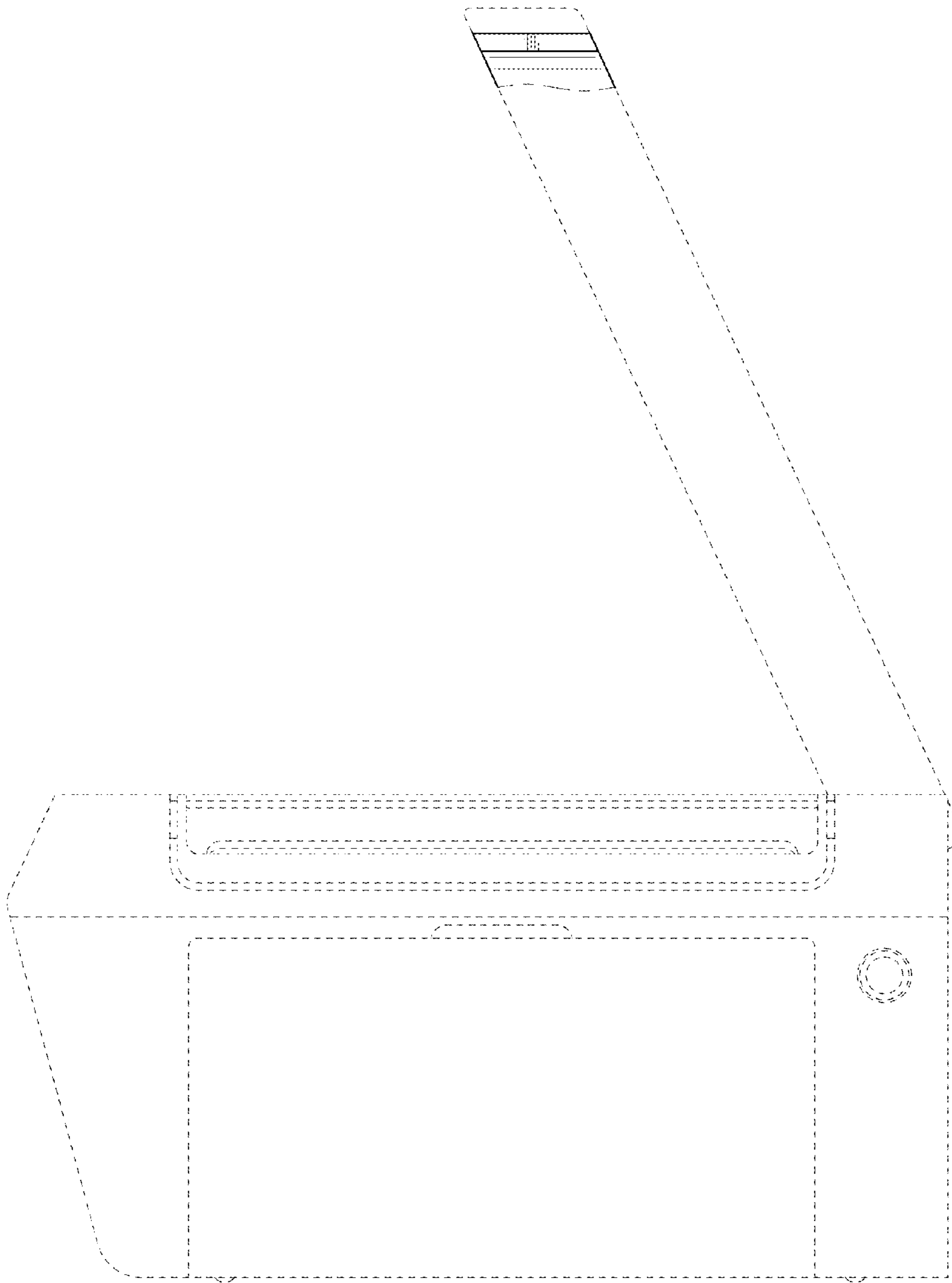


FIG.3

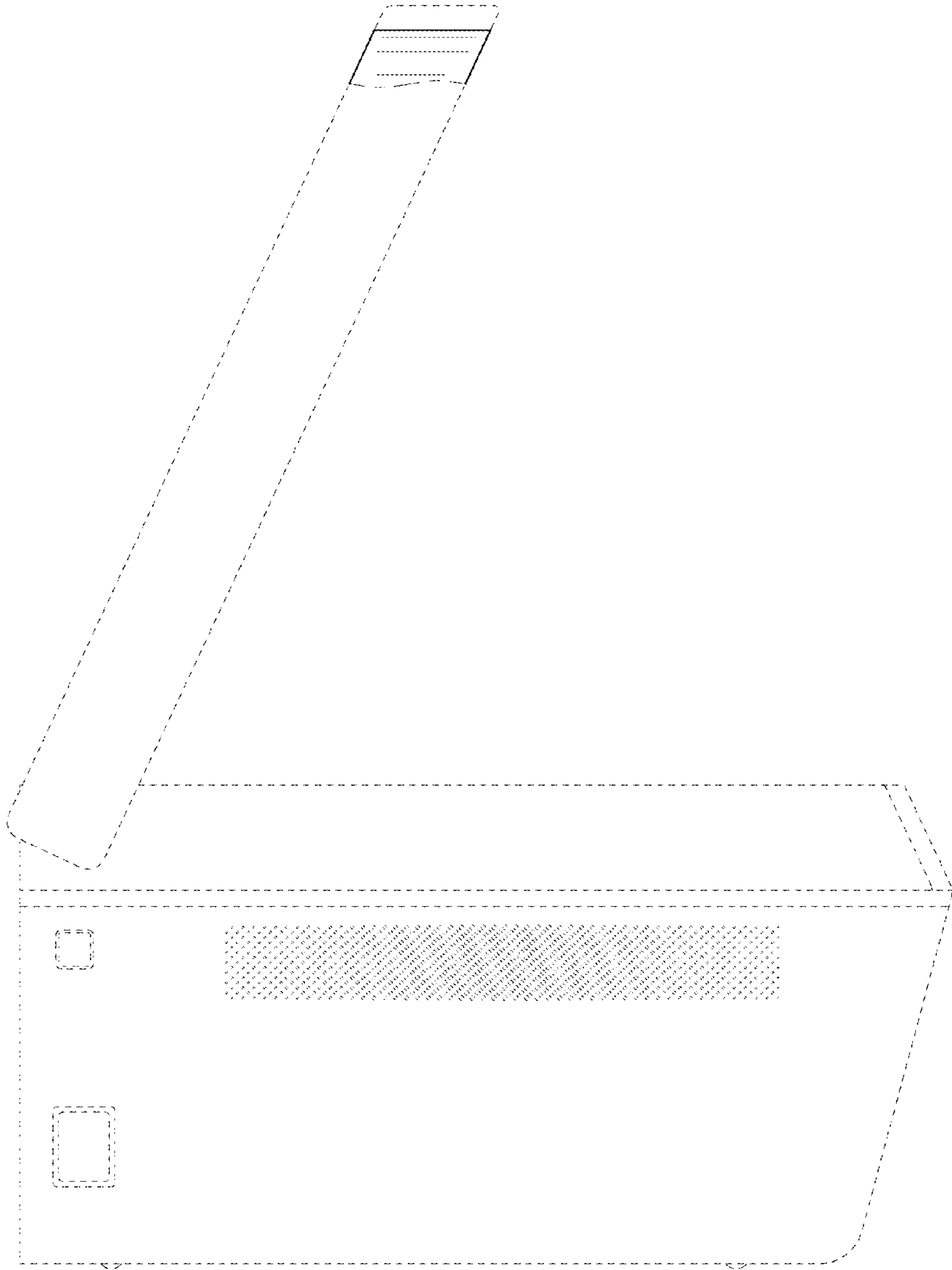


FIG.4



FIG.5

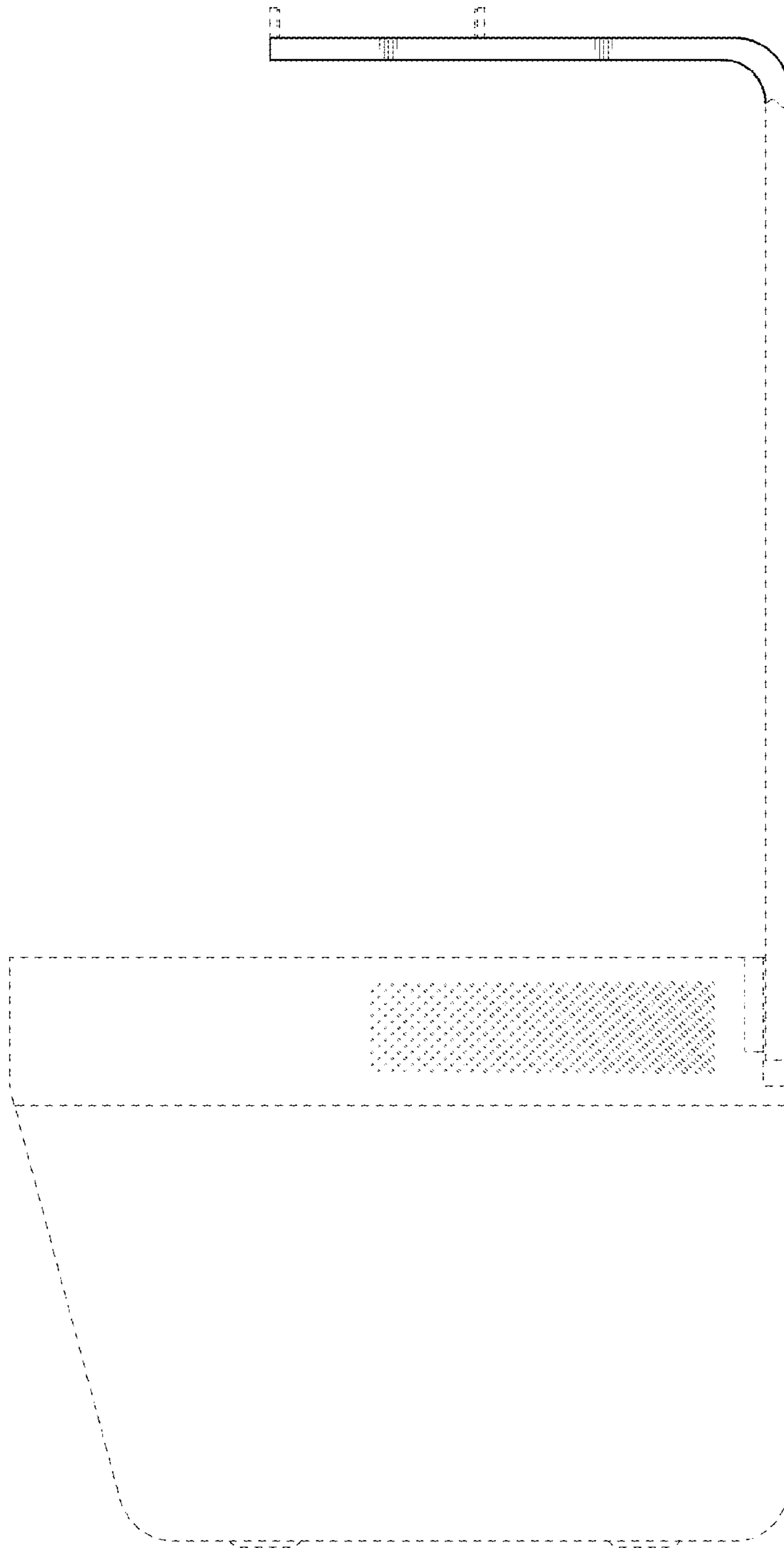


FIG.6

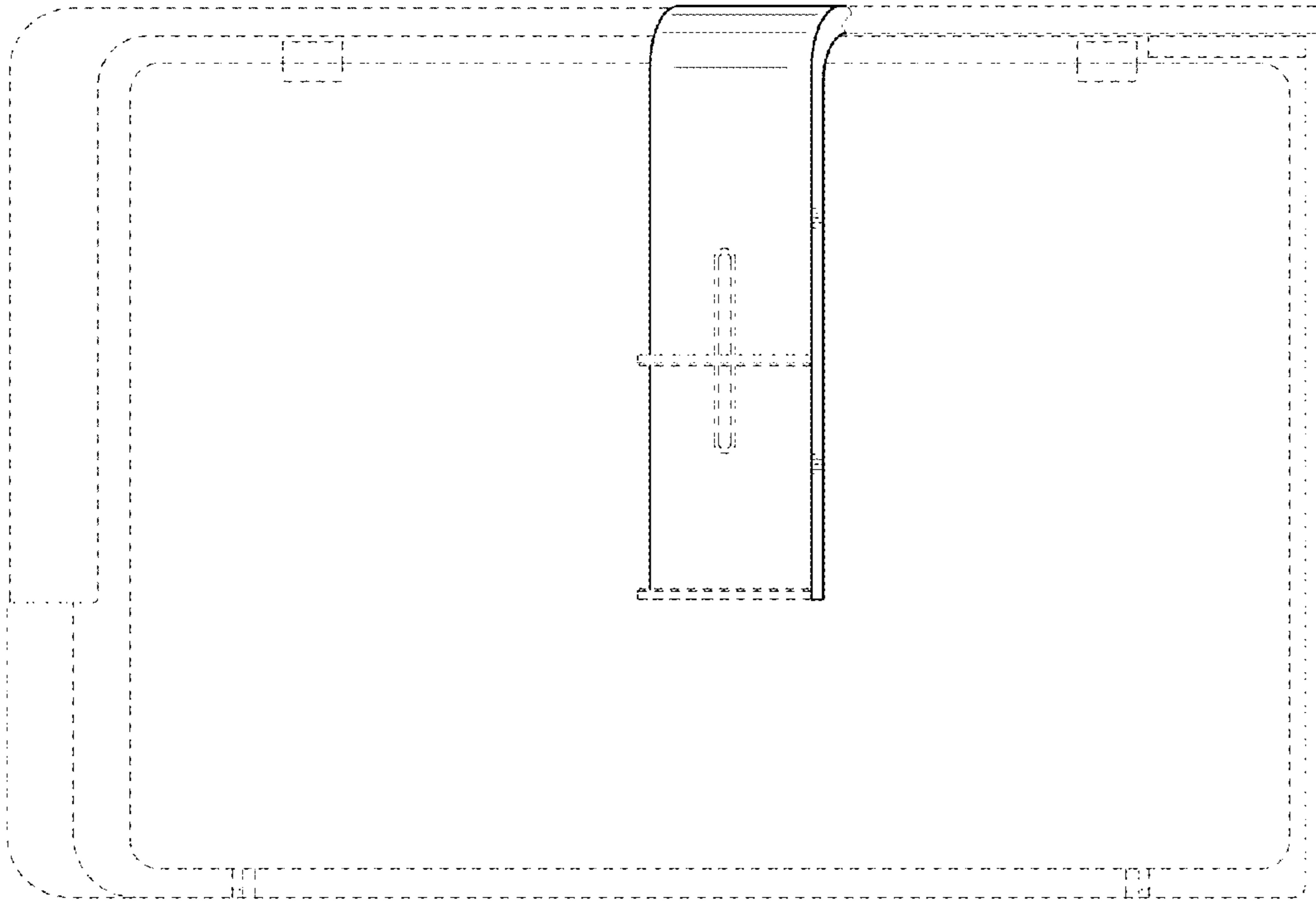


FIG.7

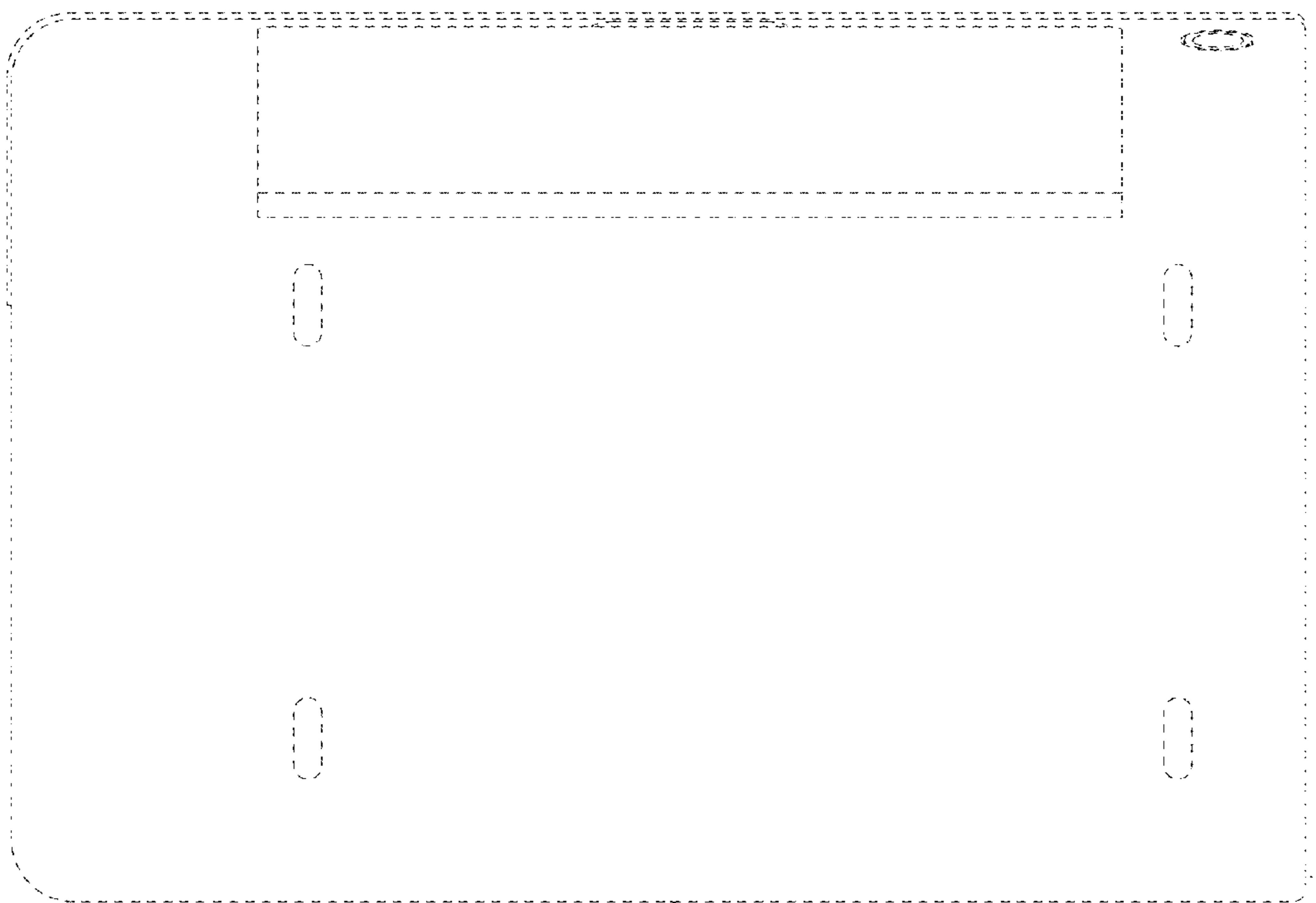




FIG.8

