



US00D741947S

(12) **United States Design Patent**  
**So et al.**

(10) **Patent No.:** **US D741,947 S**  
(45) **Date of Patent:** **\*\* Oct. 27, 2015**

(54) **PRINTER**

(71) Applicant: **Samsung Electronics Co., Ltd.**,  
Suwon-si, Gyeonggi-do (KR)

(72) Inventors: **Kwang-Hyuck So**, Seoul (KR);  
**Seung-Wook Jeong**, Seoul (KR)

(73) Assignee: **SAMSUNG ELECTRONICS CO., LTD.** (KR)

(\*\*) Term: **14 Years**

(21) Appl. No.: **29/483,300**

(22) Filed: **Feb. 27, 2014**

(30) **Foreign Application Priority Data**

Sep. 2, 2013 (KR) ..... 30-2013-0044998

(51) **LOC (10) Cl.** ..... **14-02**

(52) **U.S. Cl.**  
USPC ..... **D18/50**

(58) **Field of Classification Search**  
USPC ..... D18/50, 54, 54.1, 55; D14/420-426,  
D14/462-470, 170-171, 188-189,  
D14/193-198; 400/613, 613.1-613.4,  
400/690.1-690.4, 691-694  
See application file for complete search history.

(56) **References Cited**

**U.S. PATENT DOCUMENTS**

D334,208 S \* 3/1993 Barbookles et al. .... D18/50  
D400,571 S \* 11/1998 Shimizu ..... D18/54

D437,880 S \* 2/2001 Chiba et al. .... D18/56  
D442,625 S \* 5/2001 Chiba et al. .... D18/50  
D505,447 S \* 5/2005 Wong et al. .... D18/50  
D518,089 S \* 3/2006 Massey et al. .... D18/50  
D518,090 S \* 3/2006 Massey et al. .... D18/50  
D518,852 S \* 4/2006 Suzuki et al. .... D18/55  
D526,352 S \* 8/2006 Suzuki et al. .... D18/55  
D551,702 S \* 9/2007 Hattori ..... D18/56  
D579,489 S \* 10/2008 Kanno et al. .... D18/50  
D585,486 S \* 1/2009 Kanno et al. .... D18/50

\* cited by examiner

*Primary Examiner* — Cathy Anne MacCormac

(74) *Attorney, Agent, or Firm* — Cantor Colburn LLP

(57) **CLAIM**

The ornamental design for a printer, as shown and described.

**DESCRIPTION**

FIG. 1 is a front perspective view of a printer showing our new design;  
FIG. 2 is a front view thereof;  
FIG. 3 is a rear view thereof;  
FIG. 4 is a left side view thereof;  
FIG. 5 is a right side view thereof;  
FIG. 6 is a top view thereof; and,  
FIG. 7 is a bottom view thereof.  
The broken lines illustrating portions of the printer depict environmental subject matter only and form nor part of the claimed design. The appearance of any portion of the article between the break lines in FIGS. 1, 2, 3, 6 and 7 forms no part of the claimed design.

**1 Claim, 4 Drawing Sheets**

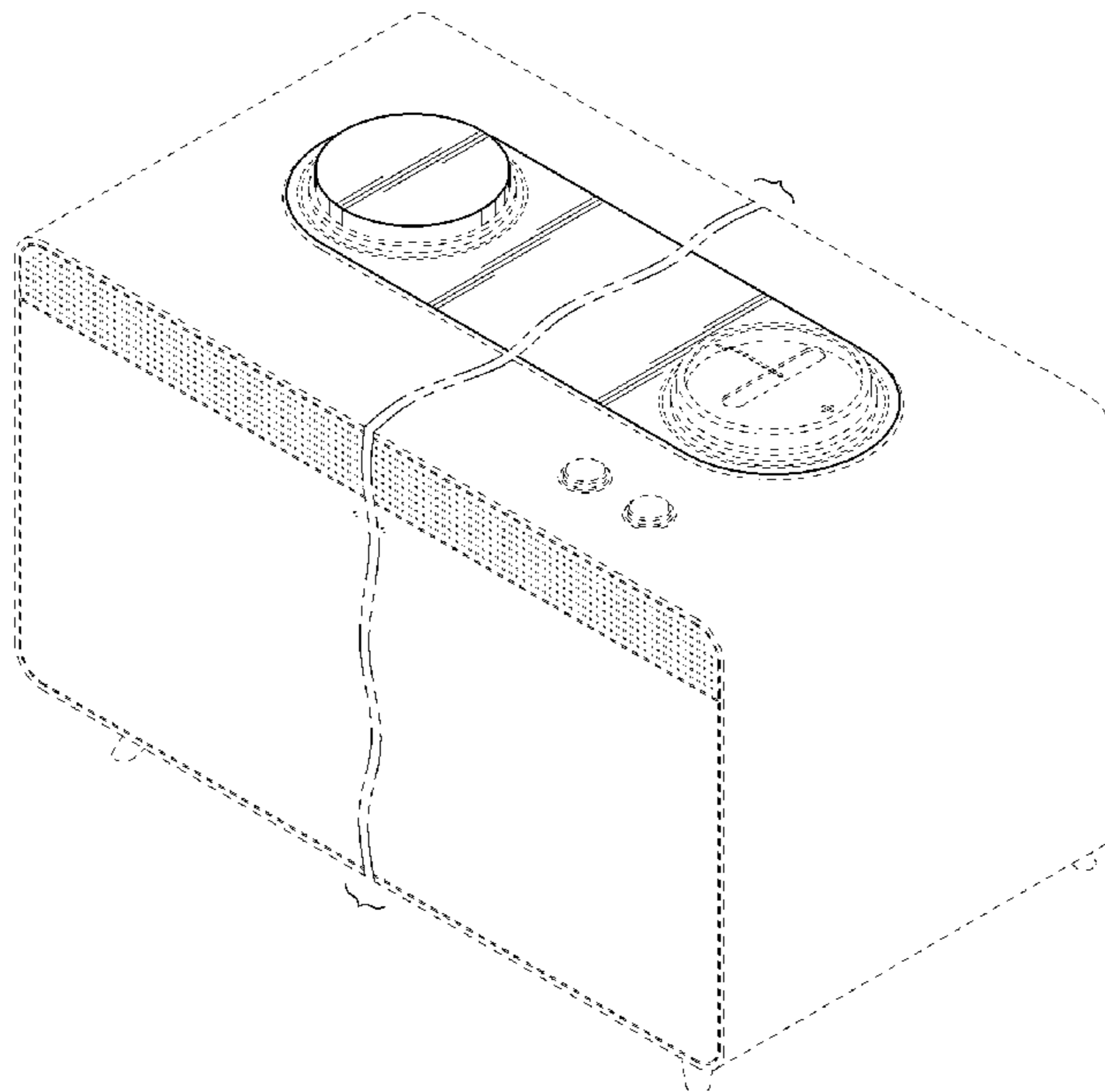


FIG.1

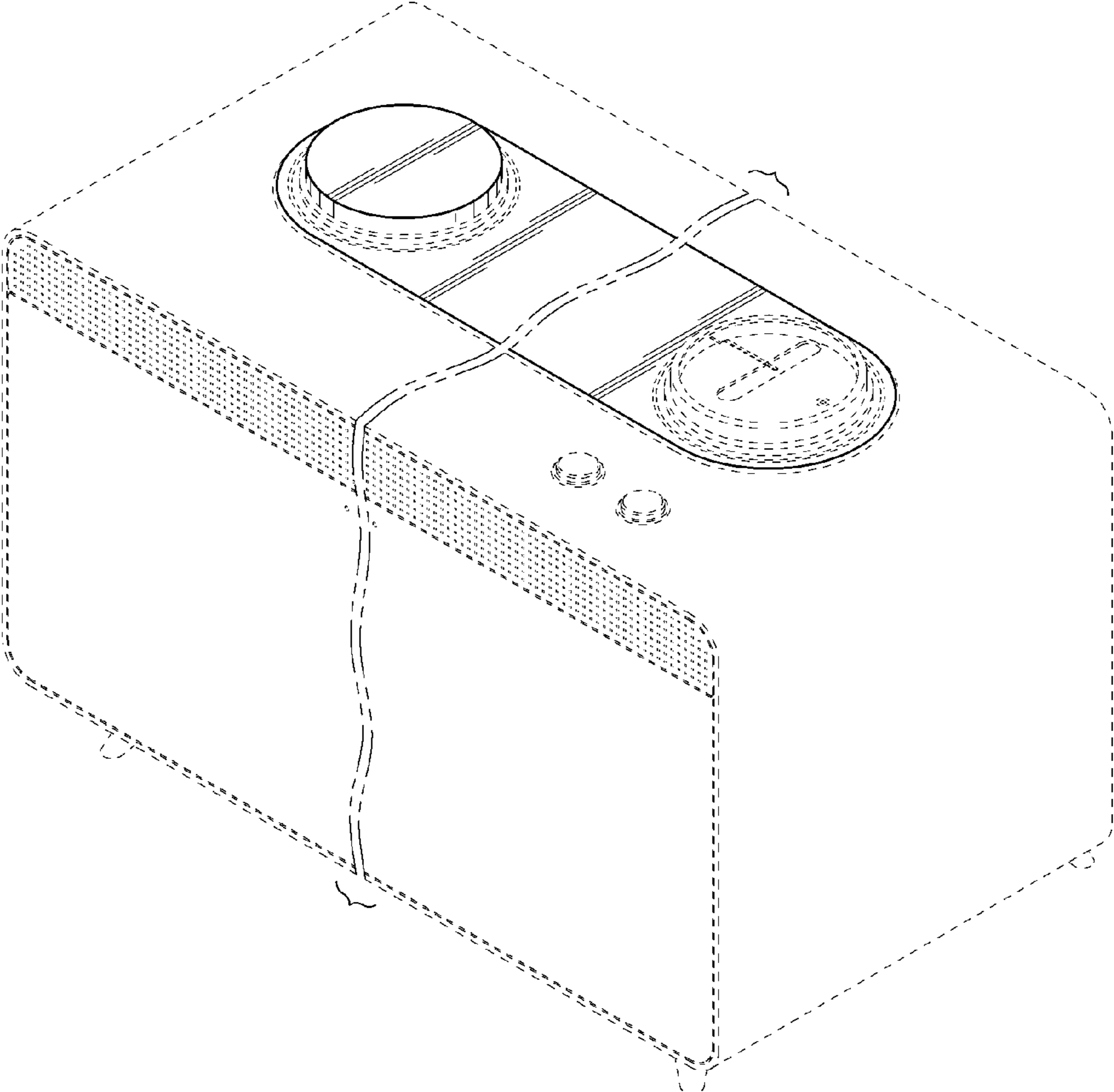


FIG.2

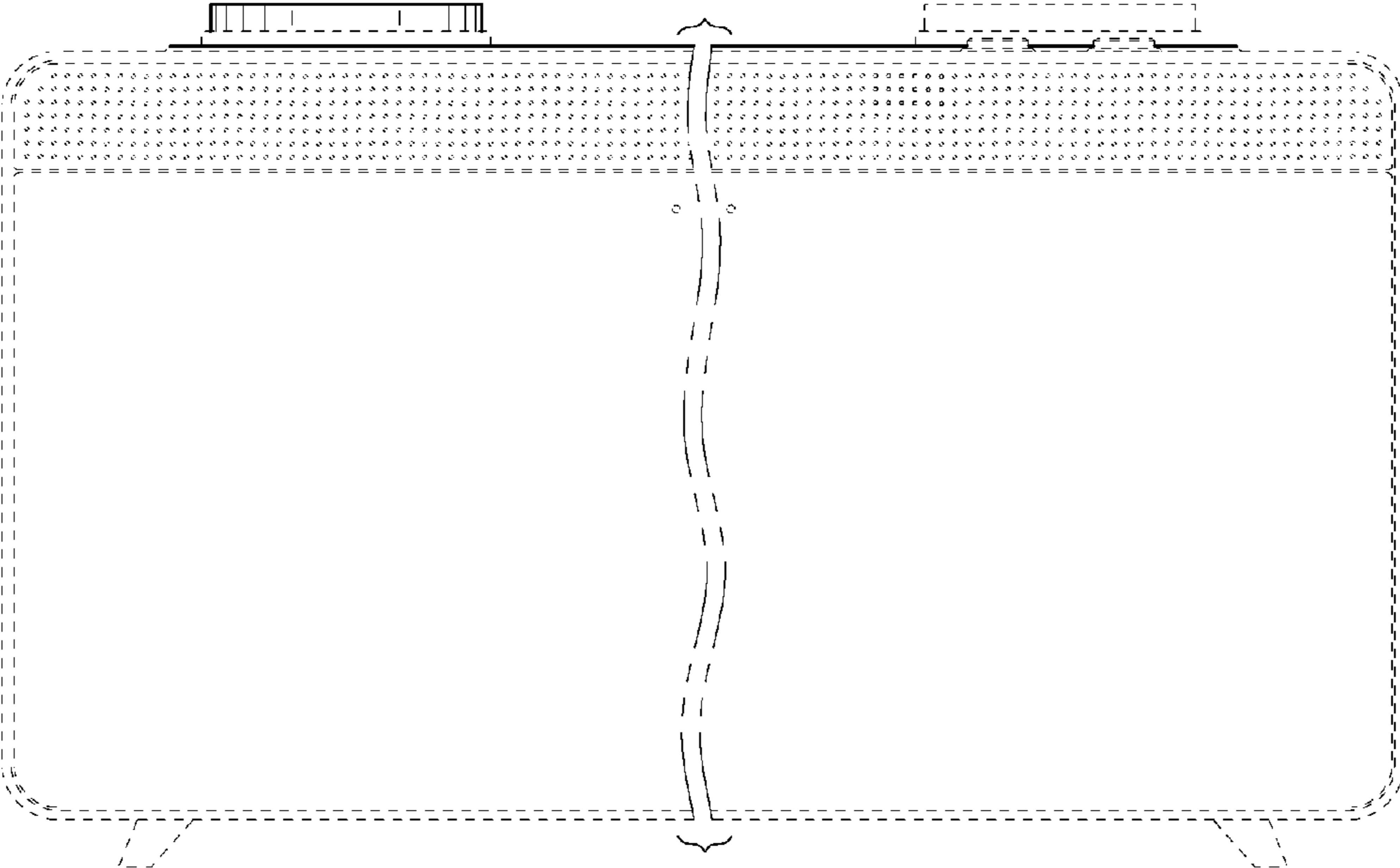


FIG.3

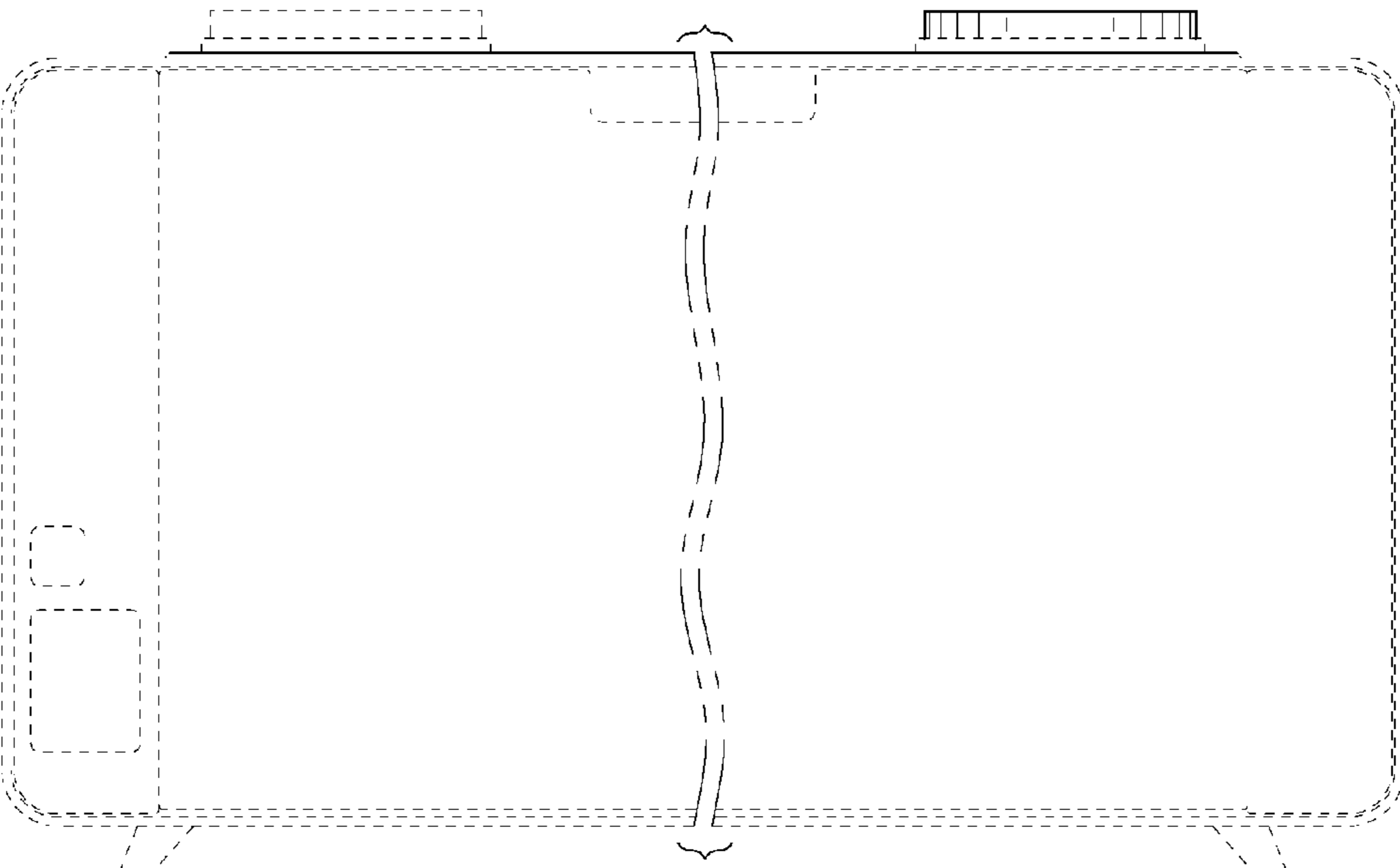


FIG.4

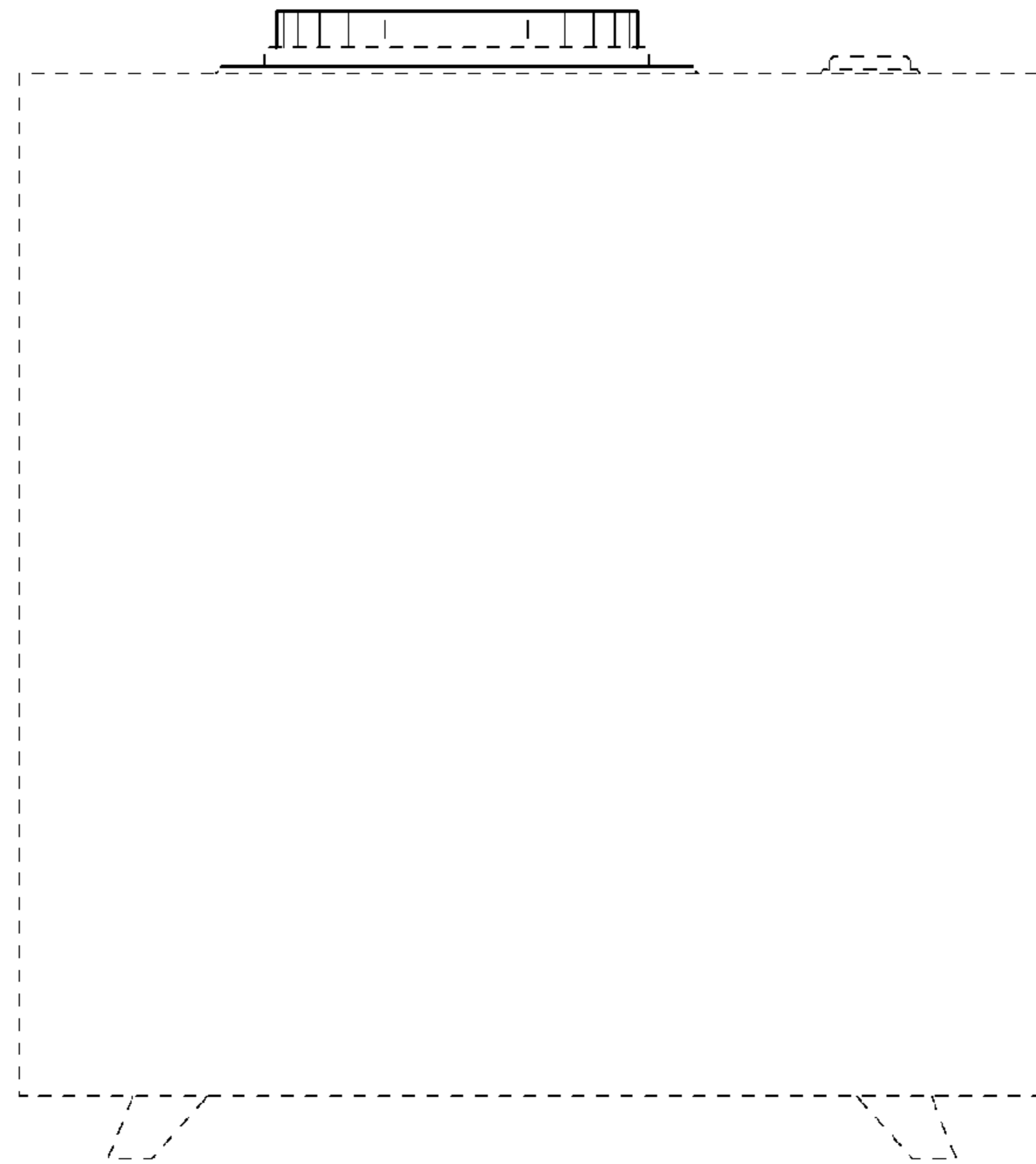


FIG.5

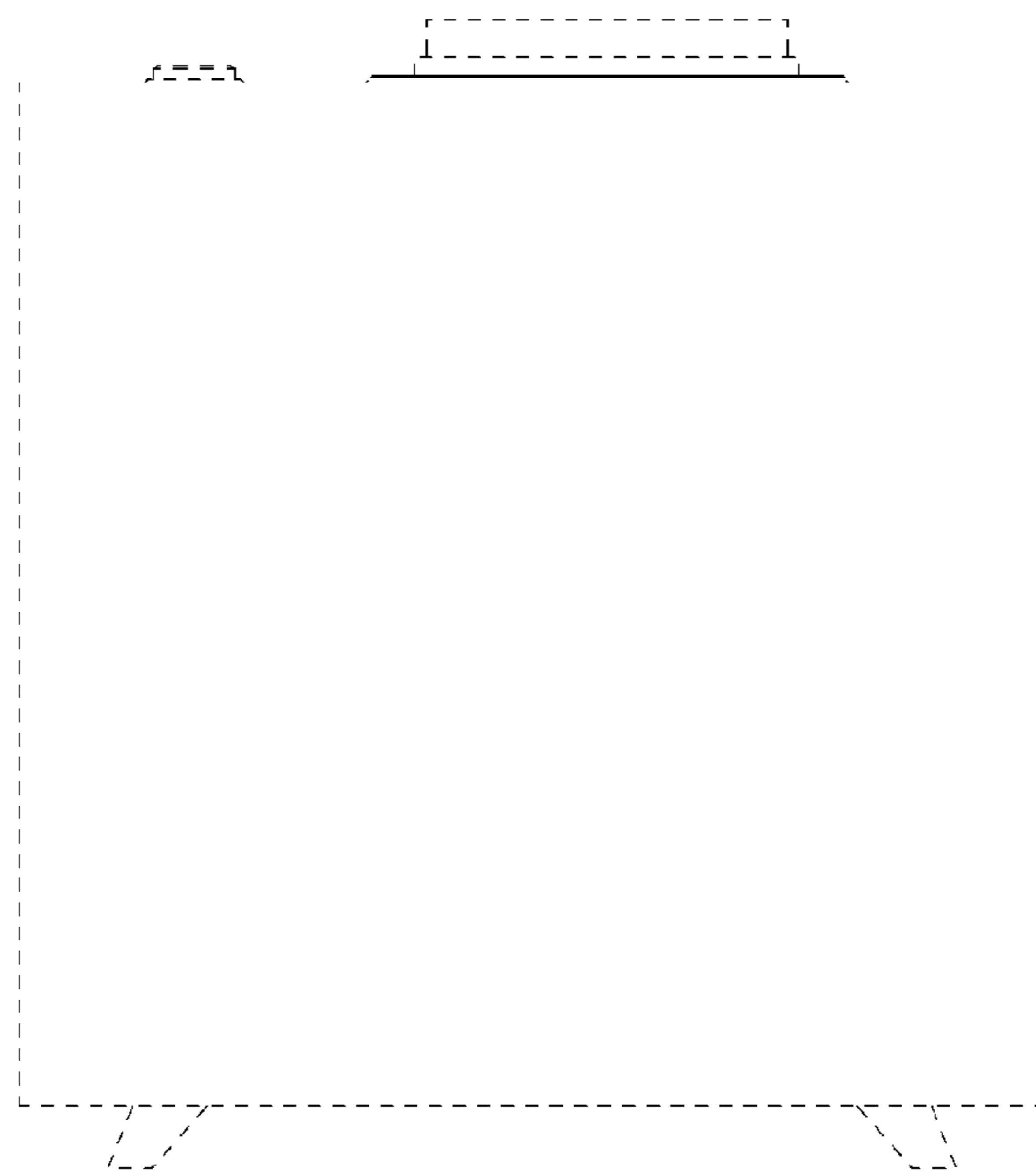


FIG.6

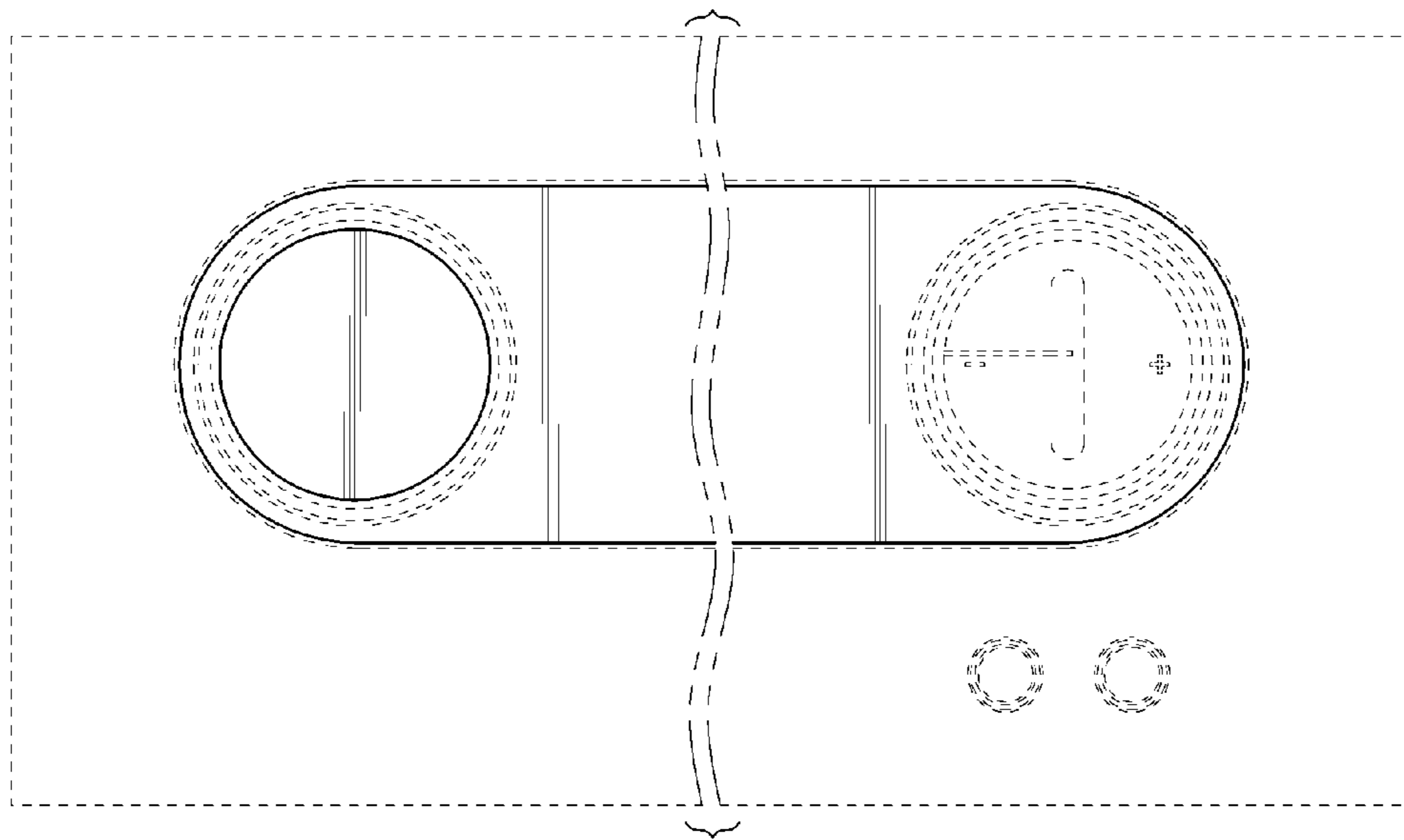


FIG.7

