



US00D741945S

(12) **United States Design Patent**  
**Kawata**

(10) **Patent No.:** **US D741,945 S**  
(45) **Date of Patent:** **\*\* Oct. 27, 2015**

- (54) **COPIER**
- (71) Applicant: **Sharp Kabushiki Kaisha**, Osaka (JP)
- (72) Inventor: **Osamu Kawata**, Osaka (JP)
- (73) Assignee: **SHARP KABUSHIKI KAISHA**,  
Osaka-shi, Osaka (JP)
- (\*\*) Term: **14 Years**
- (21) Appl. No.: **29/473,824**
- (22) Filed: **Nov. 26, 2013**

D354,076 S	1/1995	Fukuda et al.	
D378,099 S	2/1997	Yoshida et al.	
D406,161 S	2/1999	Yoshida et al.	
D423,040 S	4/2000	Ohta et al.	
D425,929 S	5/2000	Imai	
D430,596 S	9/2000	Shiozaki et al.	
D433,439 S	* 11/2000	Yoshida et al.	..... D18/36
D435,858 S	1/2001	Hatanaket al.	
D447,765 S	9/2001	Hatanaket al.	
D451,124 S	11/2001	Isomoto	
D458,298 S	6/2002	Katsuyama et al.	
D493,817 S	8/2004	Yoshida et al.	
D494,211 S	8/2004	Yoshida et al.	
D501,019 S	* 1/2005	Yoshida et al.	..... D18/39

(Continued)

- (30) **Foreign Application Priority Data**  
May 29, 2013 (JP) ..... 2013-011767
- (51) **LOC (10) Cl.** ..... **16-03**
- (52) **U.S. Cl.**  
USPC ..... **D18/39**
- (58) **Field of Classification Search**  
USPC ..... D18/36-41, 44-56; 399/1-7, 16, 75,  
399/81, 107, 130, 151, 361, 365, 381-383,  
399/388; 271/3.14, 8.1, 222, 278; 355/97,  
355/99; 358/1.1; 222/DIG. 1  
CPC ..... G03G 2215/00  
See application file for complete search history.

(56) **References Cited**  
U.S. PATENT DOCUMENTS

D257,984 S	1/1981	Kurozumi et al.
D295,285 S	4/1988	Nishibori
D296,901 S	7/1988	Kosako et al.
D299,355 S	1/1989	Kosako et al.
D315,363 S	3/1991	Kosako et al.
D332,279 S	1/1993	Mano et al.
D334,205 S	3/1993	Ratzlaff
D339,151 S	9/1993	Ratzlaff
D339,152 S	9/1993	Hirose et al.
D350,769 S	9/1994	Hattori et al.

OTHER PUBLICATIONS

U.S. Appl. No. 29/491,447, filed May 22, 2014, entitled "Copier".  
(Continued)

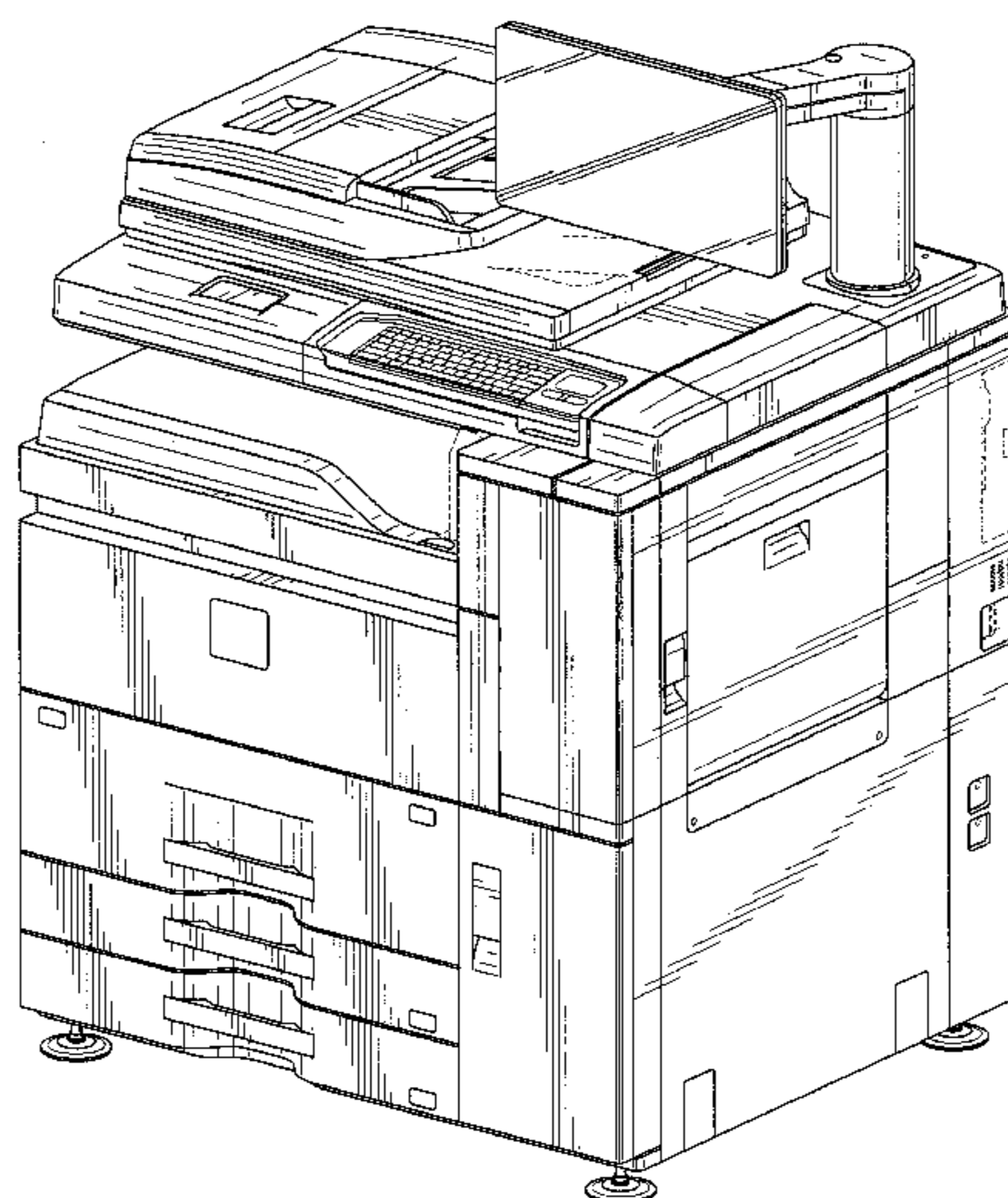
*Primary Examiner* — Michael A Pratt  
(74) *Attorney, Agent, or Firm* — Nixon & Vanderhye, P.C.

(57) **CLAIM**  
The ornamental design for a "copier," as shown and described.

**DESCRIPTION**

FIG. 1 is a top, front, right perspective view of a copier in accordance with my new design;  
FIG. 2 is a front elevation view thereof;  
FIG. 3 is a rear elevation view thereof;  
FIG. 4 is a top plan view thereof;  
FIG. 5 is a bottom plan view thereof;  
FIG. 6 is a right side elevation view thereof; and,  
FIG. 7 is a left side elevation view thereof.  
The broken line showing of aspects of the copier in FIGS. 1-3, 4, 6 and 7 is included for the purpose of illustrating environment and forms no part of the claimed design.

**1 Claim, 7 Drawing Sheets**



(56)

**References Cited**

U.S. PATENT DOCUMENTS

D502,210 S \* 2/2005 Katori et al. .... D18/39  
 D537,109 S \* 2/2007 Mizusugi et al. .... D18/39  
 D537,866 S \* 3/2007 Matsuda et al. .... D18/39  
 D538,330 S \* 3/2007 Hatanaka et al. .... D18/39  
 D544,906 S 6/2007 Alfonso et al.  
 D559,892 S 1/2008 Horiguchi et al.  
 D580,484 S \* 11/2008 Ishio ..... D18/39  
 D582,970 S 12/2008 Mizusugi et al.  
 7,548,702 B2 \* 6/2009 Maruyama ..... 399/6  
 D617,374 S 6/2010 Sasaki et al.  
 D626,588 S 11/2010 Kim et al.  
 D634,361 S 3/2011 Terenzio et al.  
 D641,399 S 7/2011 Penke et al.  
 D648,381 S 11/2011 Brown  
 D653,704 S 2/2012 Seki et al.  
 D664,190 S 7/2012 Matsuda et al.  
 D664,191 S 7/2012 Saito et al.  
 D664,591 S 7/2012 Ohta et al.  
 D665,012 S \* 8/2012 Saito et al. .... D18/39  
 D667,487 S 9/2012 Falk et al.  
 D670,325 S 11/2012 Yoshida

D674,009 S 1/2013 Yoshida  
 D678,941 S 3/2013 Gilbert et al.  
 D682,928 S 5/2013 Kim et al.  
 D688,742 S 8/2013 Kim et al.  
 D696,717 S 12/2013 Kim et al.  
 D697,964 S 1/2014 Fukasawa et al.  
 D699,784 S 2/2014 Fukasawa et al.  
 D701,563 S \* 3/2014 Kim et al. .... D18/53  
 D702,760 S 4/2014 Kim et al.  
 8,725,037 B2 5/2014 Kawamura  
 D713,845 S 9/2014 Taniho et al.  
 8,873,117 B2 10/2014 Arikawa et al.  
 D727,409 S 4/2015 Saito et al.  
 D727,410 S 4/2015 Saito et al.  
 D728,011 S \* 4/2015 Saito ..... D18/36  
 2006/0159498 A1 7/2006 Takiguchi et al.  
 2012/0327154 A1 12/2012 Mimura  
 2014/0147161 A1 5/2014 Matsuno  
 2014/0321875 A1 10/2014 Michibata

OTHER PUBLICATIONS

U.S. Appl. No. 29/517,880, filed Feb. 18, 2015, entitled "Copier".

\* cited by examiner

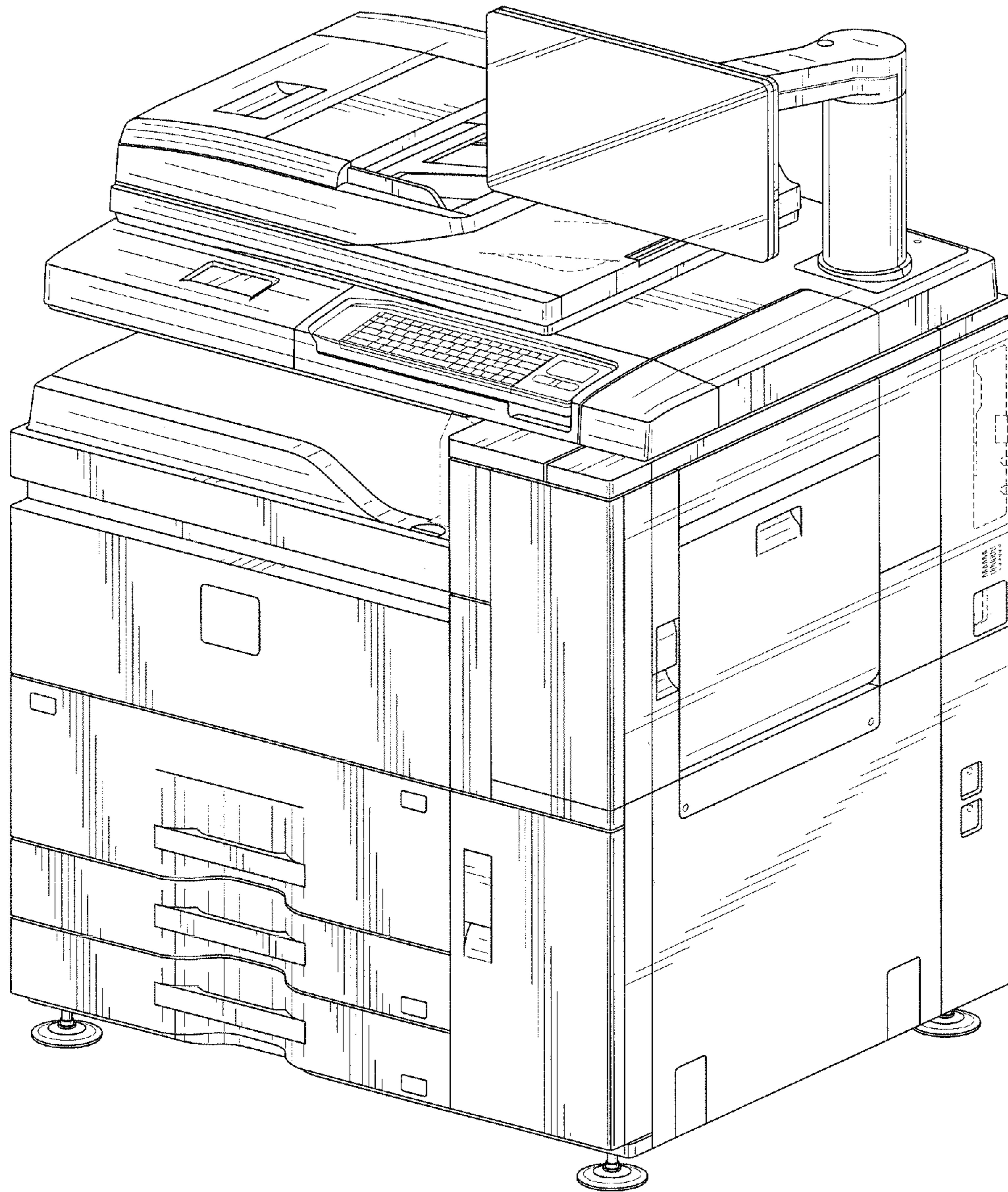


FIG. 1

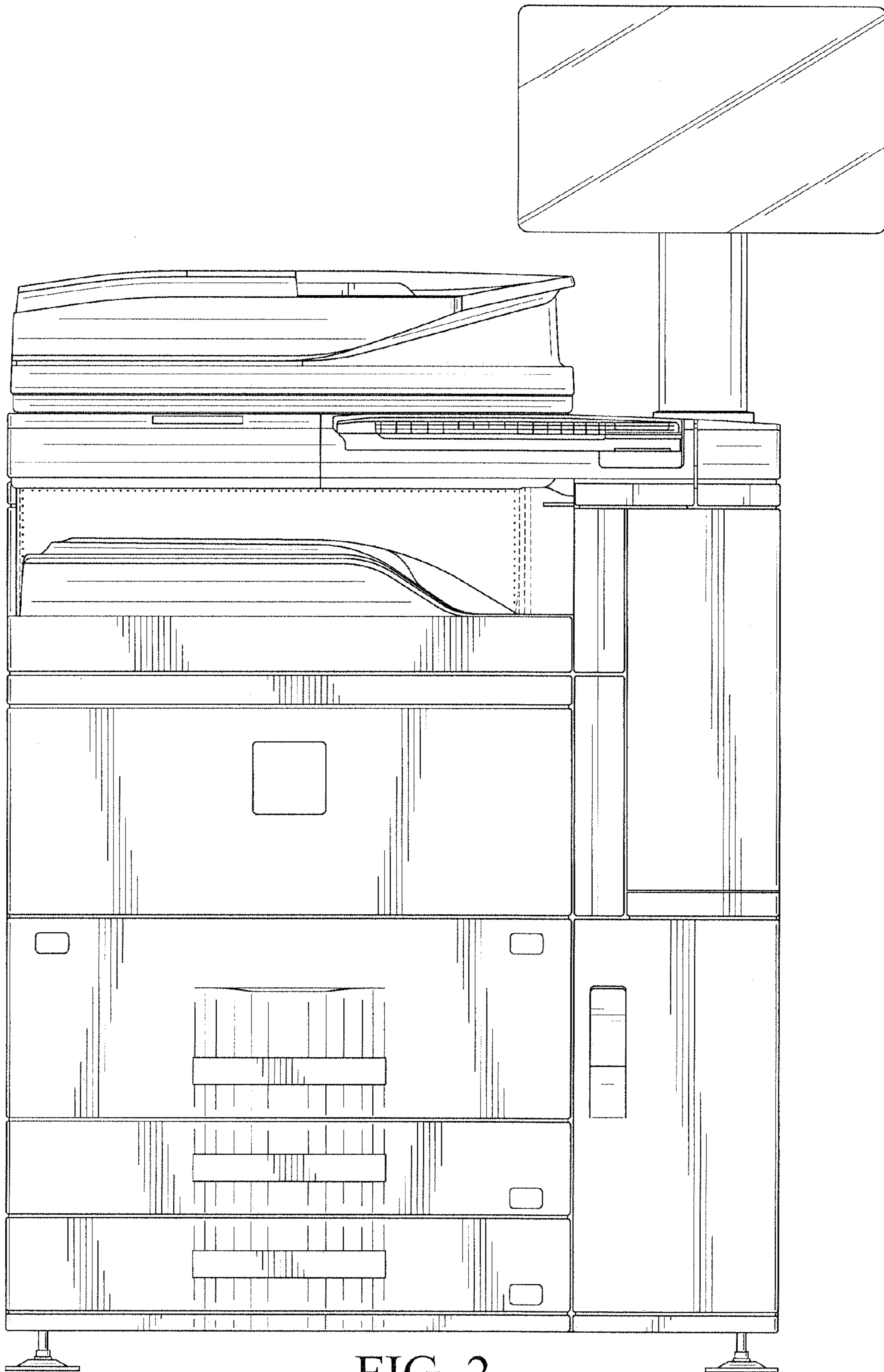


FIG. 2

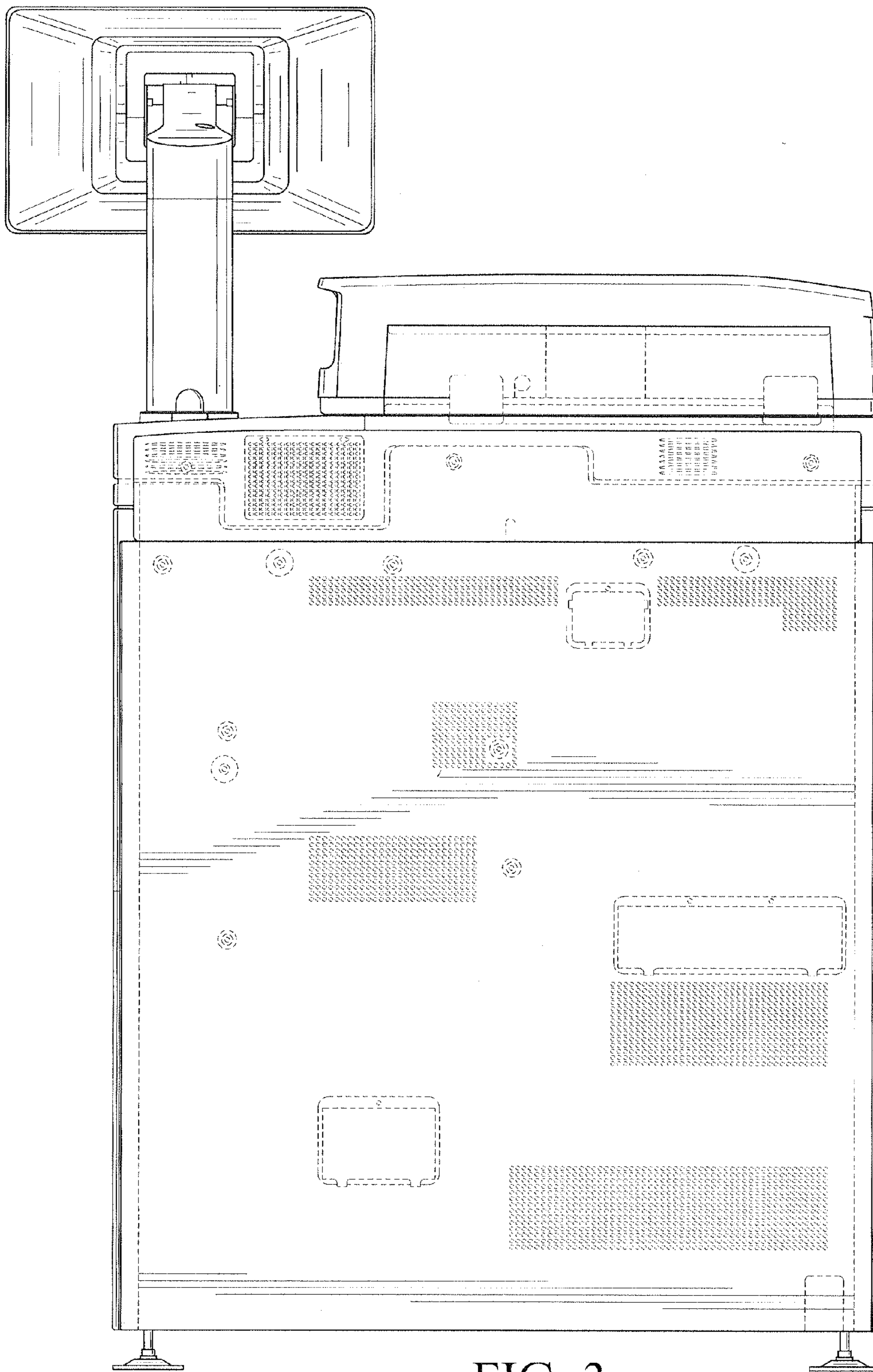


FIG. 3

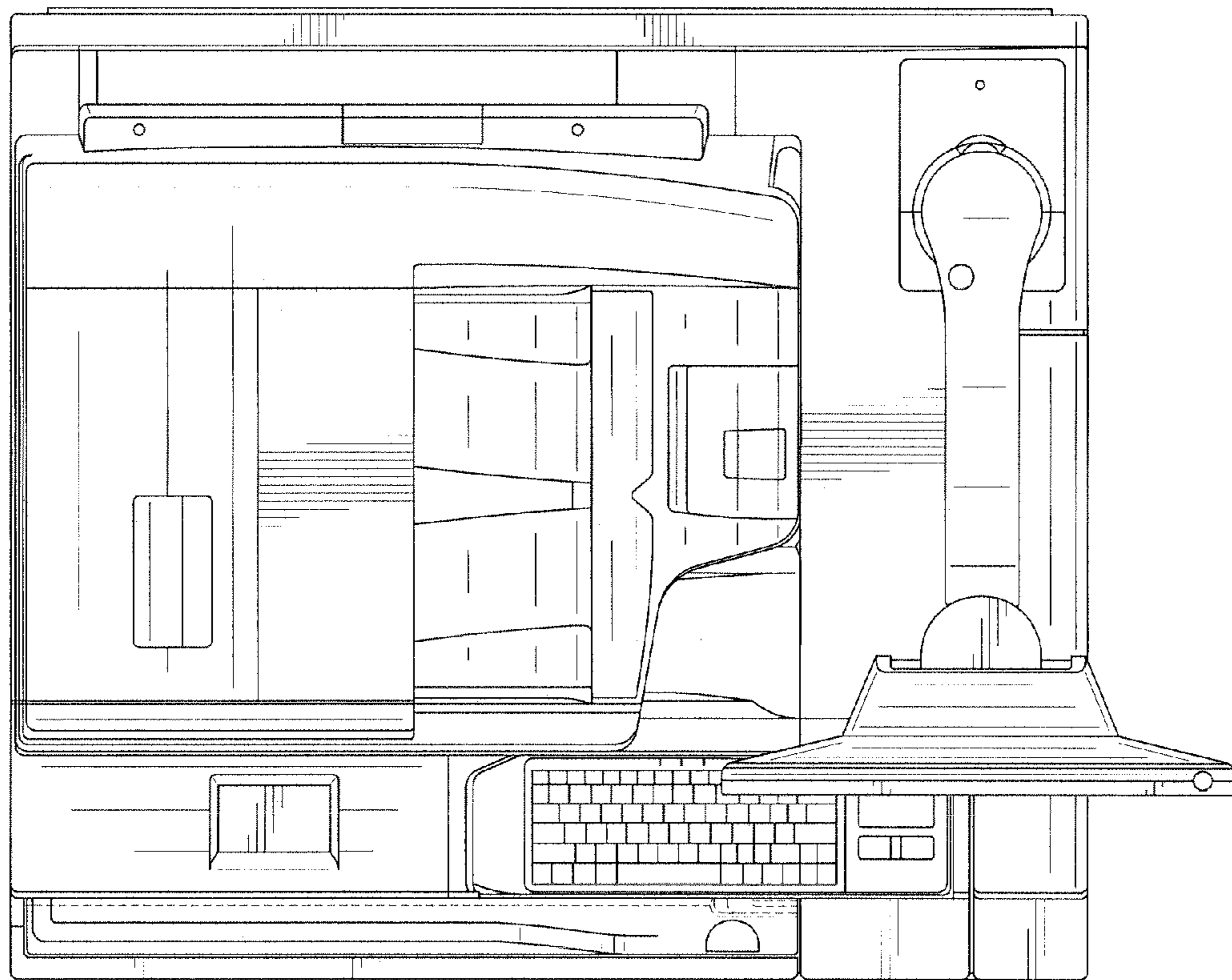


FIG. 4

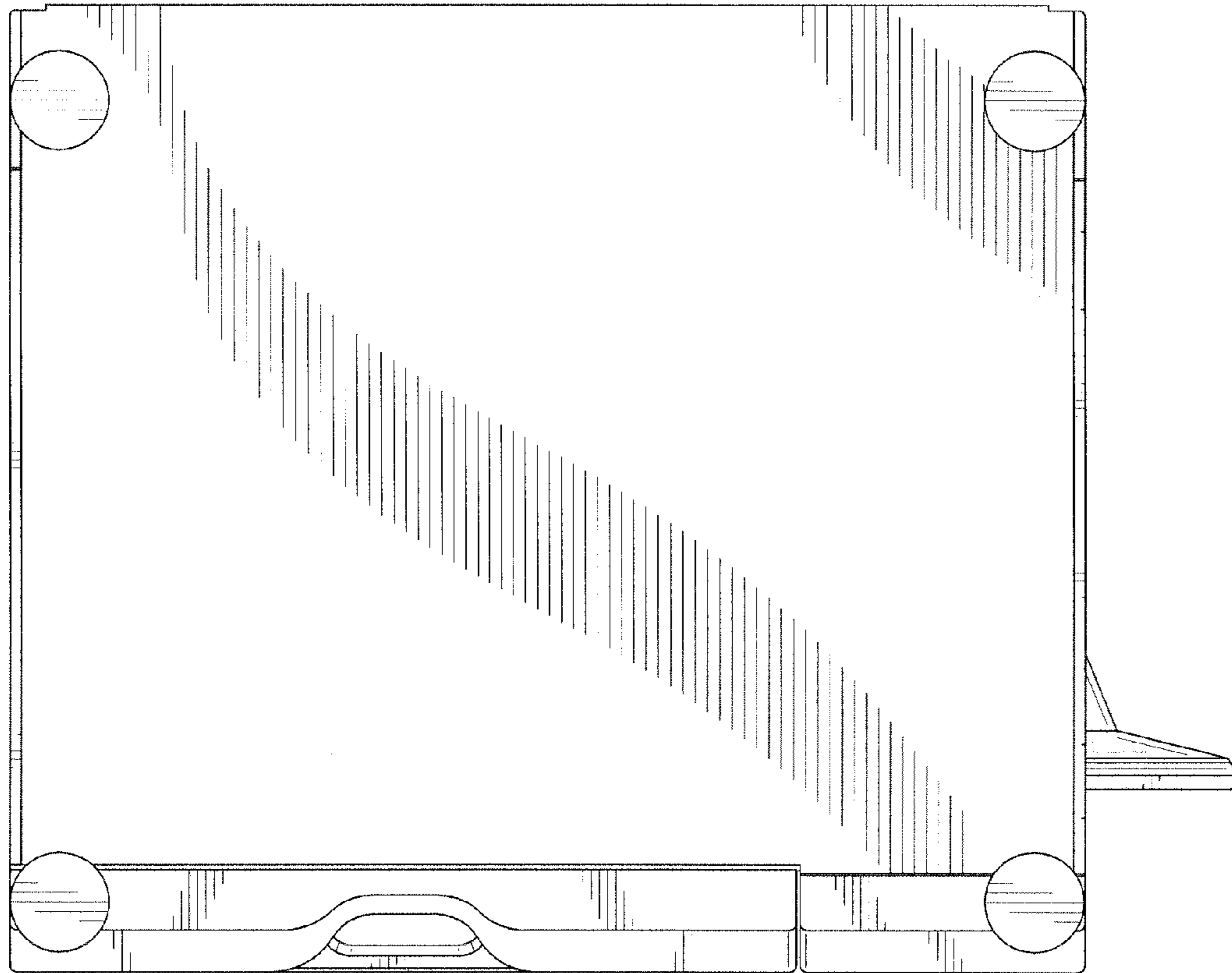


FIG. 5

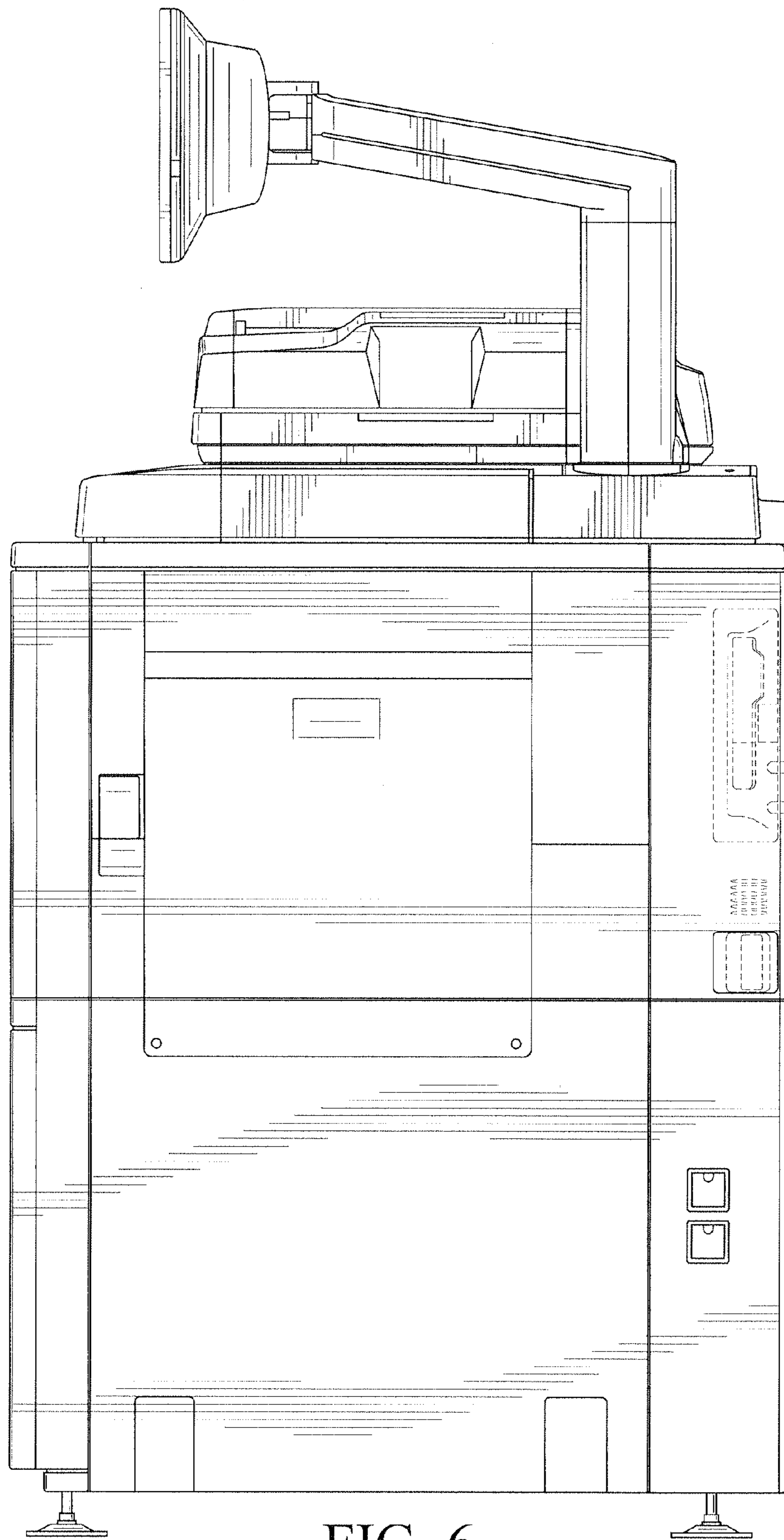


FIG. 6



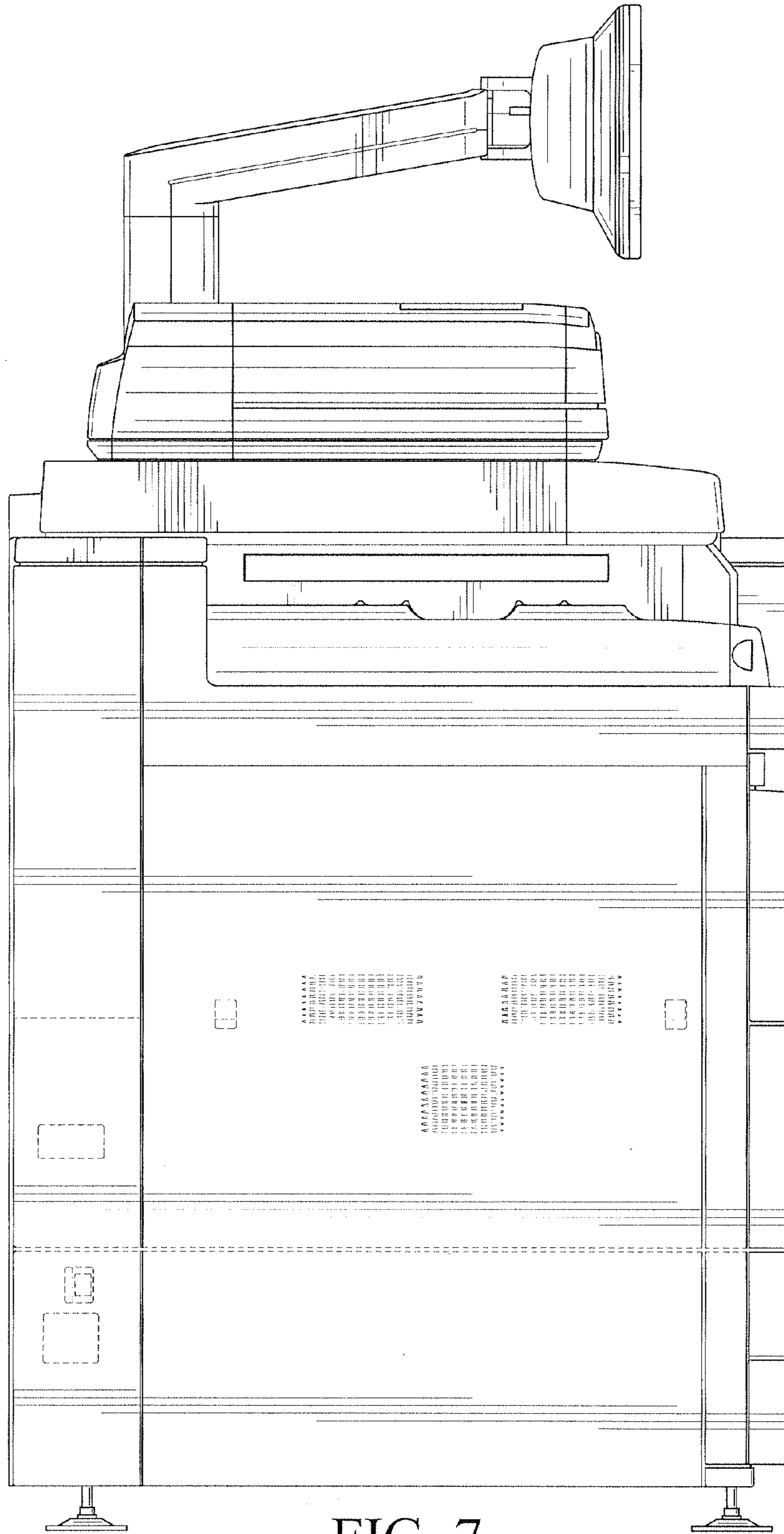


FIG. 7