



US00D741944S

(12) **United States Design Patent**
Ramirez et al.

(10) **Patent No.:** **US D741,944 S**

(45) **Date of Patent:** **** Oct. 27, 2015**

(54) **CLAMP FOR MATCHING DRUMSTICKS**

(71) Applicants: **Alexander Ramirez**, Garden City, GA
(US); **Alex Ramirez**, Brooklyn, NY
(US)

(72) Inventors: **Alexander Ramirez**, Garden City, GA
(US); **Alex Ramirez**, Brooklyn, NY
(US)

(**) Term: **14 Years**

(21) Appl. No.: **29/486,813**

(22) Filed: **Apr. 2, 2014**

Related U.S. Application Data

(63) Continuation of application No. 13/652,729, filed on
Oct. 16, 2012, now abandoned.

(51) **LOC (10) Cl.** **17-99**

(52) **U.S. Cl.**
USPC **D17/99**

(58) **Field of Classification Search**
USPC **D17/22, 99**
See application file for complete search history.

(56) **References Cited**

U.S. PATENT DOCUMENTS

3,592,097 A * 7/1971 Friede 84/402
4,531,443 A 7/1985 Gillis, Jr.
D526,278 S * 8/2006 Heary, Sr. D13/154

D576,870 S * 9/2008 Eason et al. D8/396
D580,262 S * 11/2008 Eason et al. D8/396
D715,851 S * 10/2014 Chambers et al. D17/99
D722,492 S * 2/2015 Ramsauer D8/395
2013/0025433 A1 1/2013 Gatti
2013/0047820 A1 2/2013 Chambers
2014/0060285 A1 3/2014 Bradfield

FOREIGN PATENT DOCUMENTS

DE 10325783 A1 * 12/2004 G10D 13/00

* cited by examiner

Primary Examiner — Rashida Johnson

(74) *Attorney, Agent, or Firm* — Pearl Cohen Zedek Latzer
Baratz LLP

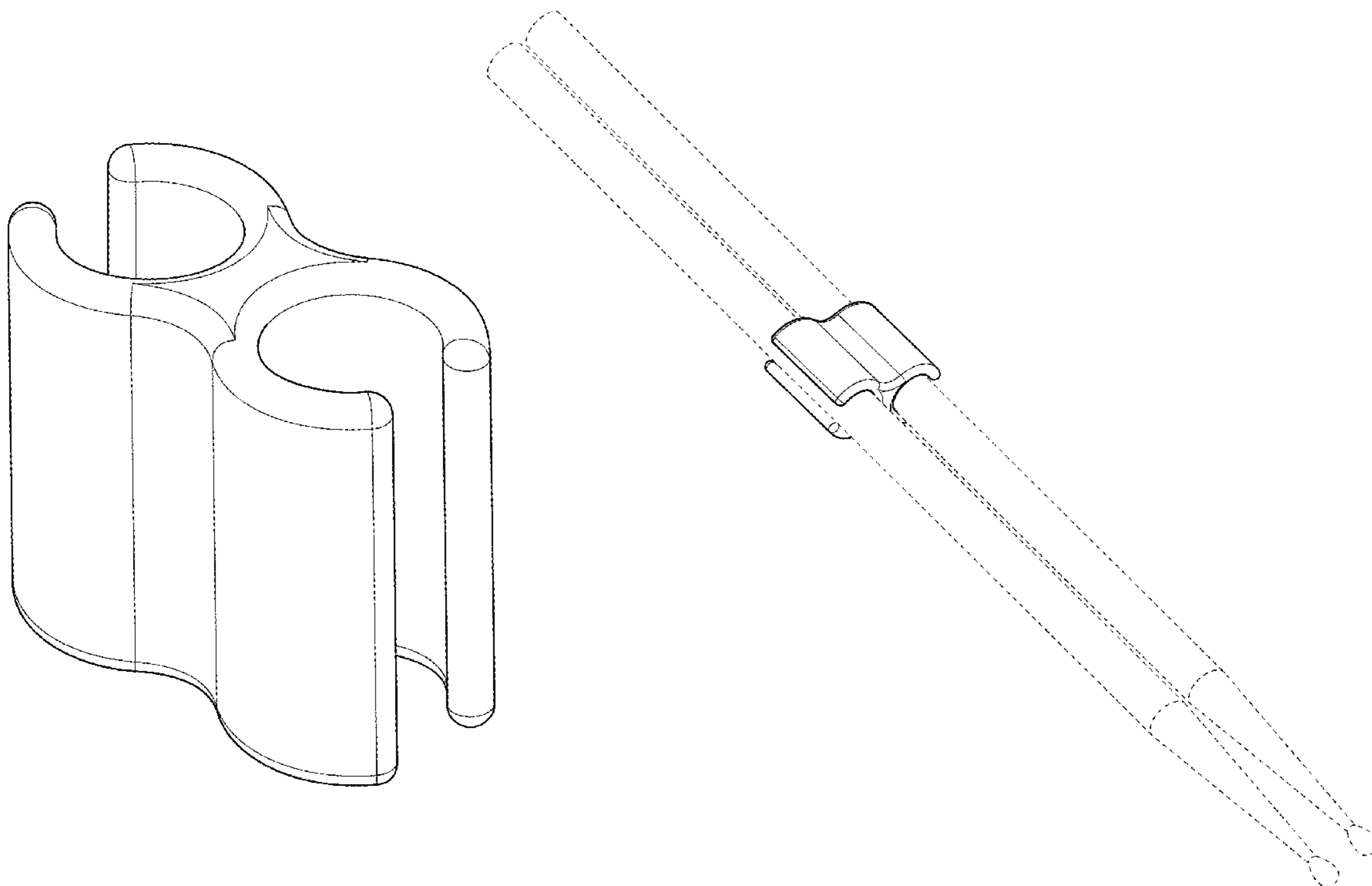
(57) **CLAIM**

The ornamental design for a clamp for matching drumsticks,
as shown and described.

DESCRIPTION

FIG. 1 is a top front perspective view of a clamp for matching
drumsticks showing our new design;
FIG. 2 is a top view thereof; and,
FIG. 3 is a front perspective view thereof.
In FIG. 3, the broken lines illustrating drumsticks show the
design in use and form no part of the claimed design.

1 Claim, 2 Drawing Sheets



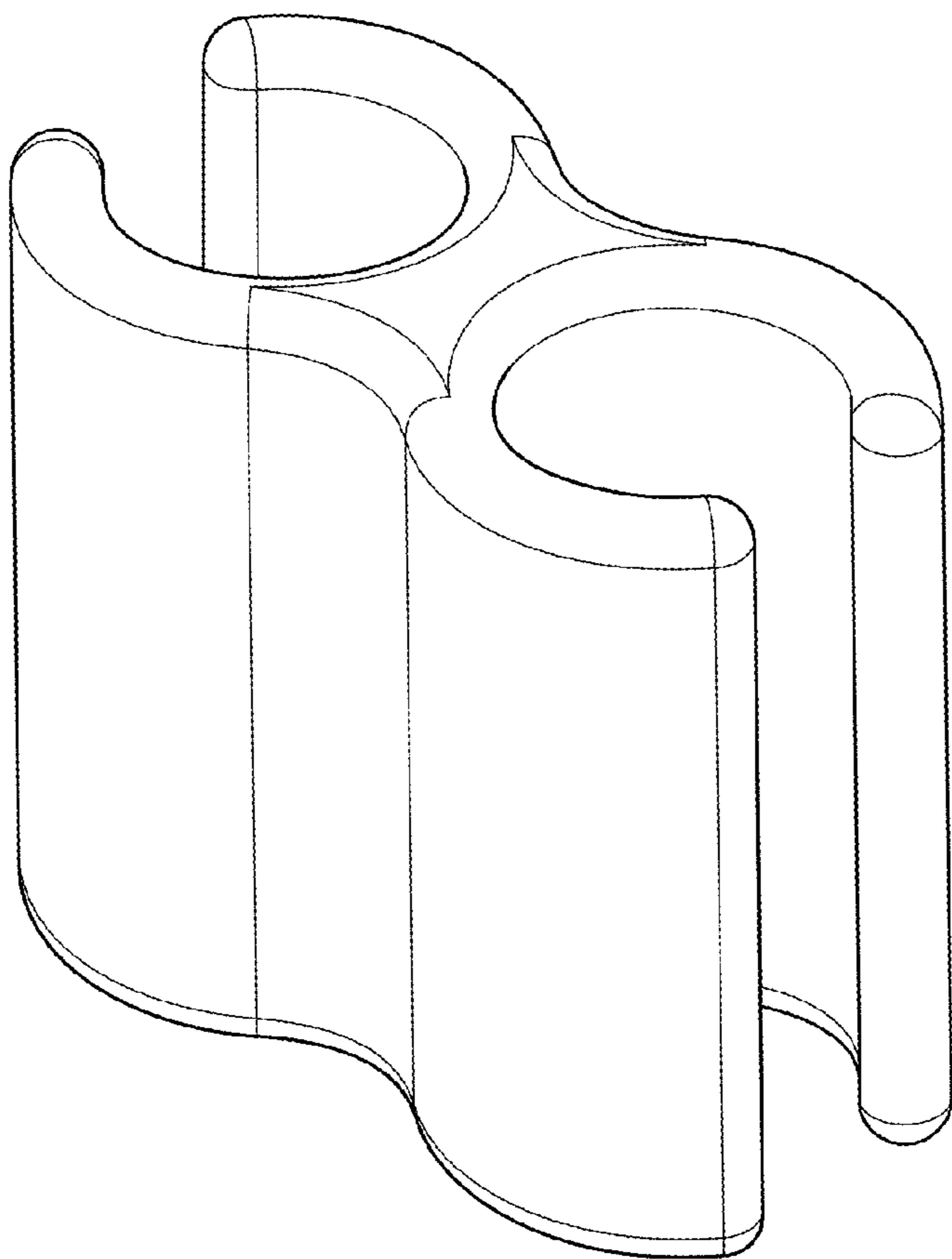


FIG. 1

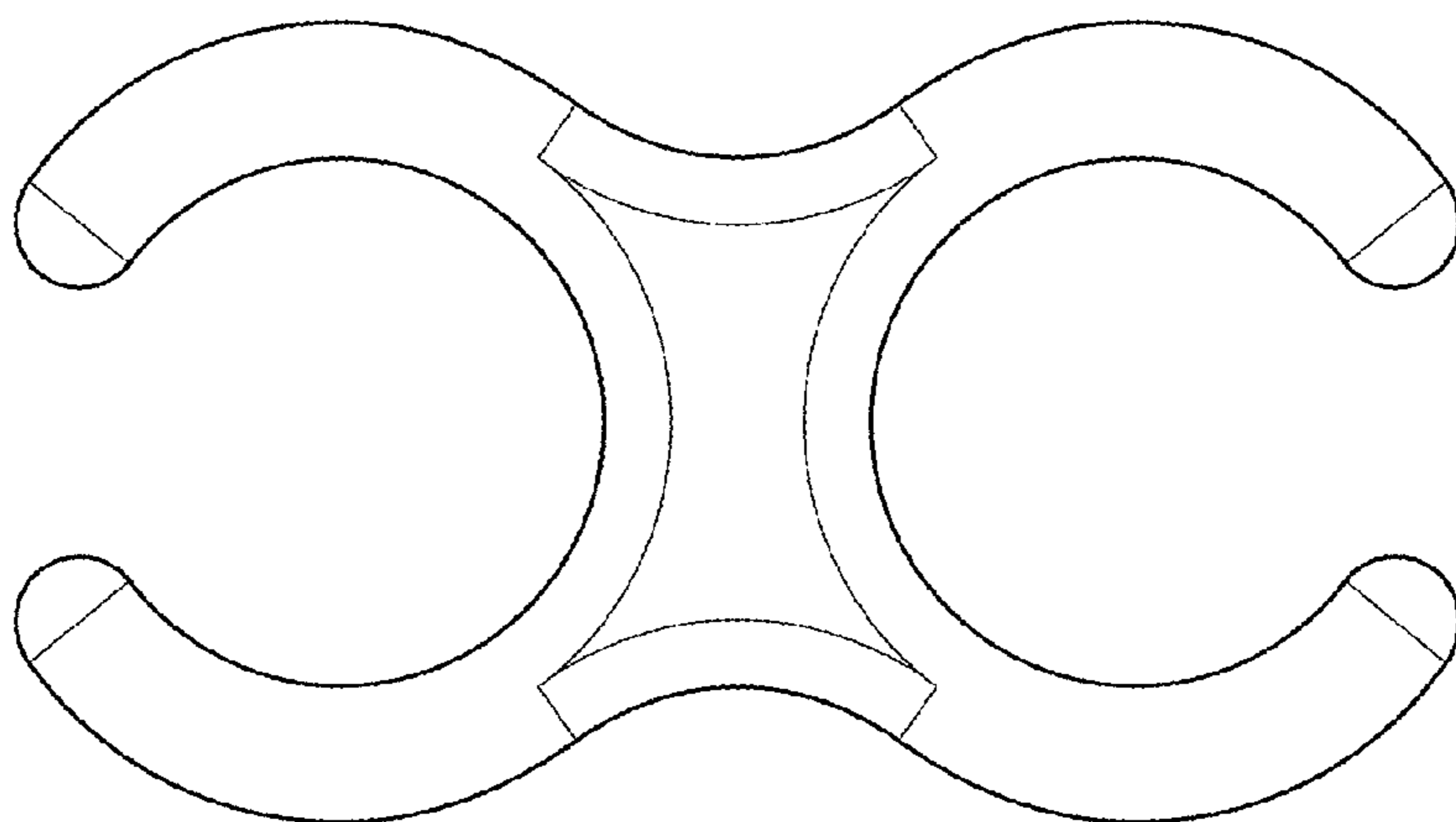


FIG. 2

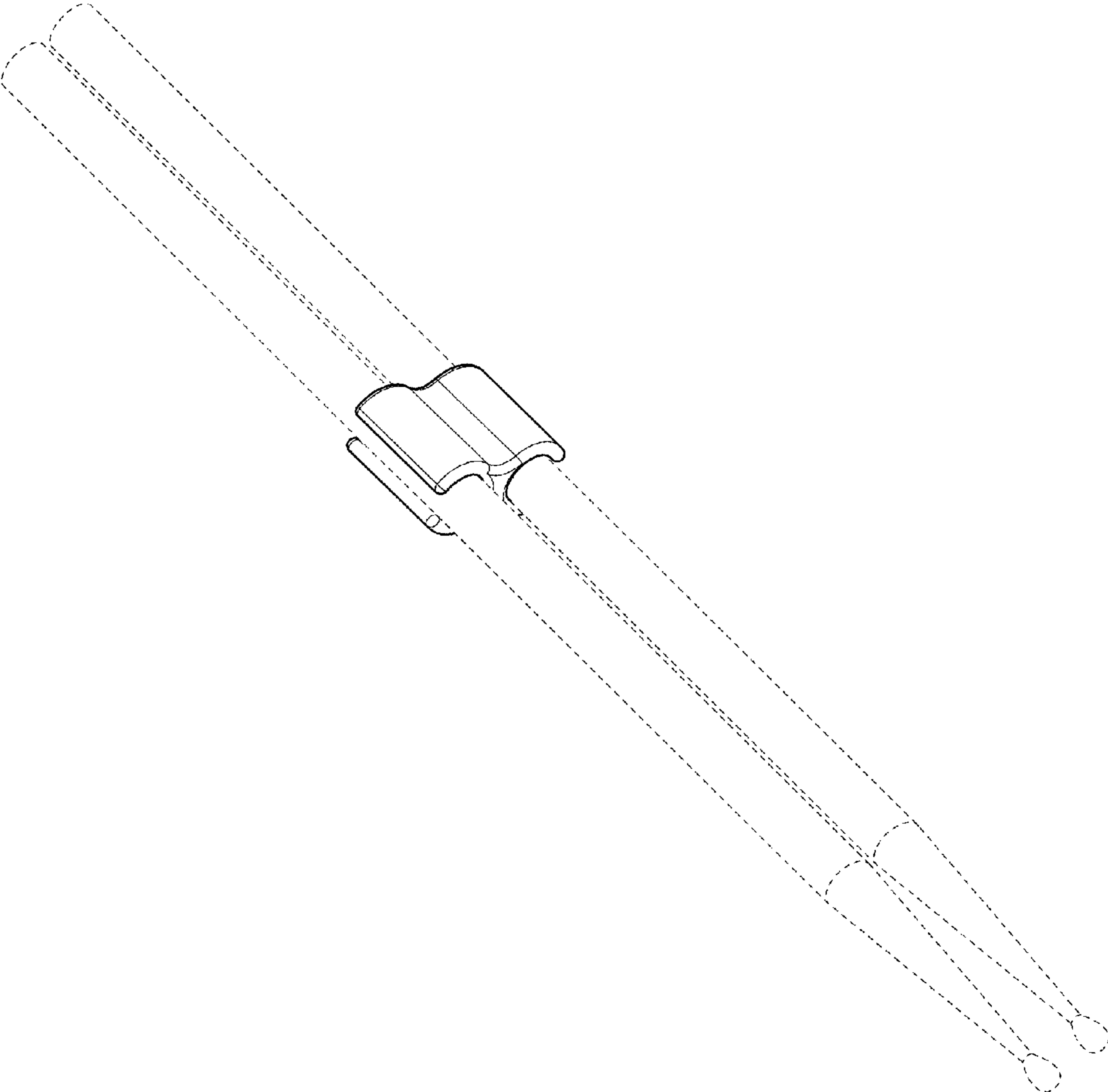


FIG. 3