



US00D741942S

(12) **United States Design Patent**
Hong

(10) **Patent No.:** **US D741,942 S**

(45) **Date of Patent:** **** Oct. 27, 2015**

(54) **GLASSES FOR WATCHING 3-D IMAGES**

(56) **References Cited**

(71) Applicant: **LG ELECTRONICS INC.**, Seoul (KR)

U.S. PATENT DOCUMENTS

(72) Inventor: **Hye Young Hong**, Seoul (KR)

3,010,364	A *	11/1961	Lindblom	351/48
3,575,497	A *	4/1971	Leblanc	351/47
D350,359	S *	9/1994	Friedman	D16/334
D373,782	S *	9/1996	Shelton	D16/332
D411,854	S *	7/1999	Friedman	D16/330
7,360,889	B2 *	4/2008	Yong	351/47
D662,968	S *	7/2012	Bogle	D16/330

(73) Assignee: **LG Electronics Inc.**, Seoul (KR)

(**) Term: **14 Years**

* cited by examiner

(21) Appl. No.: **29/461,514**

(22) Filed: **Jul. 24, 2013**

Primary Examiner — Raphael Barkai

(74) *Attorney, Agent, or Firm* — Birch, Stewart, Kolasch & Birch, LLP

(30) **Foreign Application Priority Data**

Jan. 25, 2013 (KR) 30-2013-0004499

(51) **LOC (10) Cl.** **16-06**

(52) **U.S. Cl.**

USPC **D16/330; D16/900**

(58) **Field of Classification Search**

USPC D16/101, 300-342, 900; D29/109-110;
351/41, 44, 51-52, 62, 158, 92,
351/103-123, 140-153, 63, 59, 45-48;
2/426-432, 447-449, 441, 434-437,
2/13, 15; D21/483, 659-661; D14/372

CPC G02C 2200/08; G02C 1/06; G02C 5/14;
G01C 5/16

See application file for complete search history.

(57) **CLAIM**

I claim the ornamental design for glasses for watching 3-D images, as shown and described.

DESCRIPTION

FIG. 1 is a perspective view of glasses for watching 3-D images showing the new design:

FIG. 2 is a front elevation view thereof;

FIG. 3 is a rear elevation view thereof;

FIG. 4 is a left-side elevation view thereof;

FIG. 5 is a right-side elevation view thereof;

FIG. 6 is a top plan view thereof; and,

FIG. 7 is a bottom plan view thereof.

1 Claim, 4 Drawing Sheets

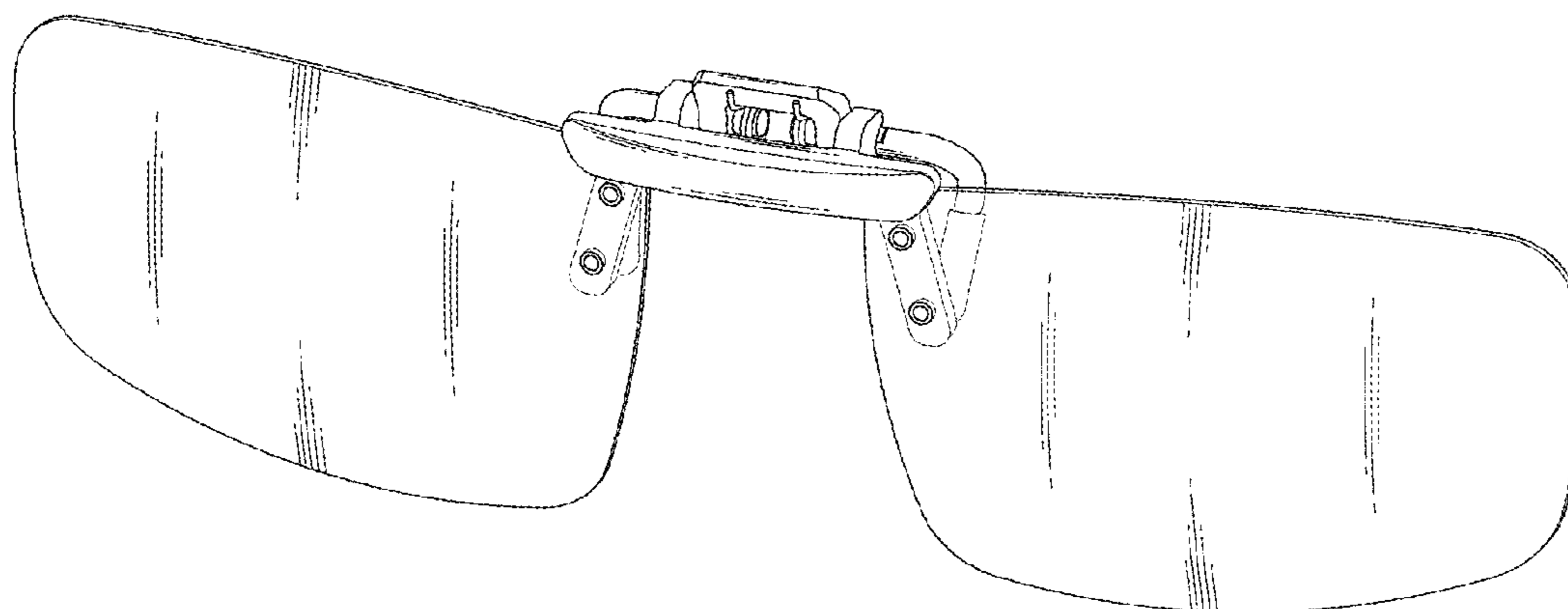


FIG. 1

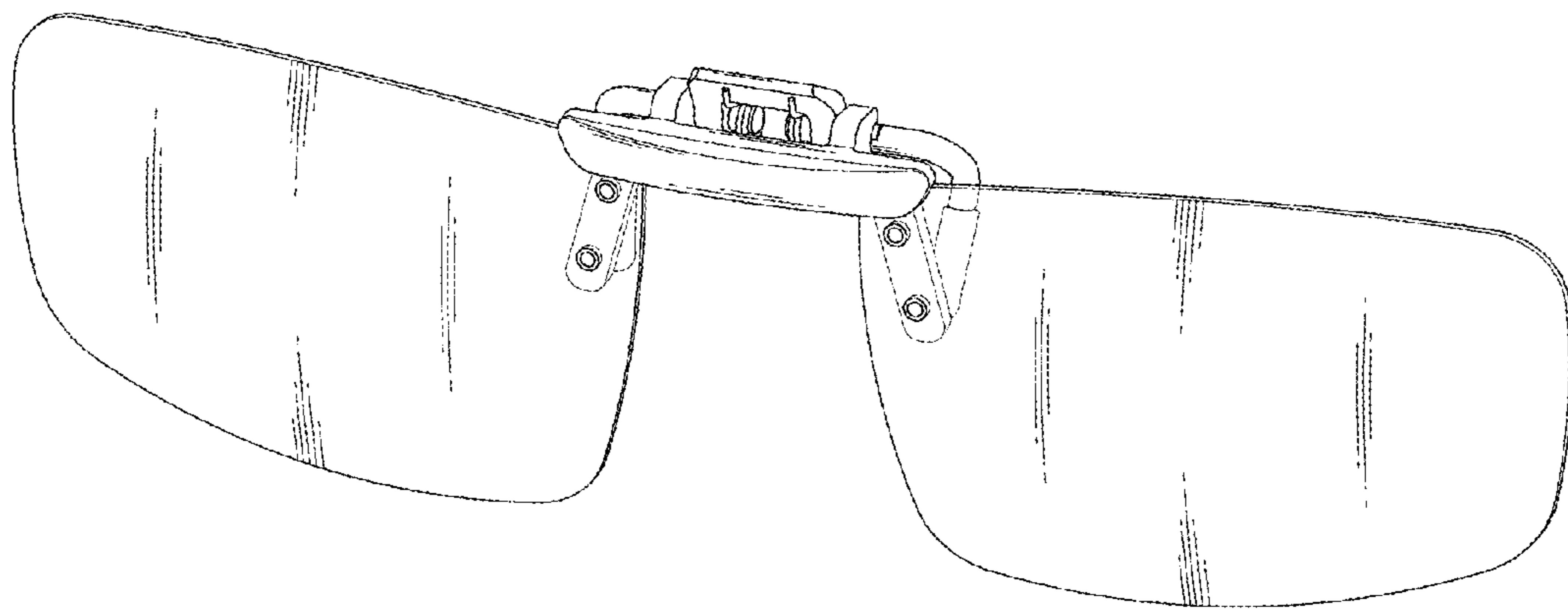


FIG. 2

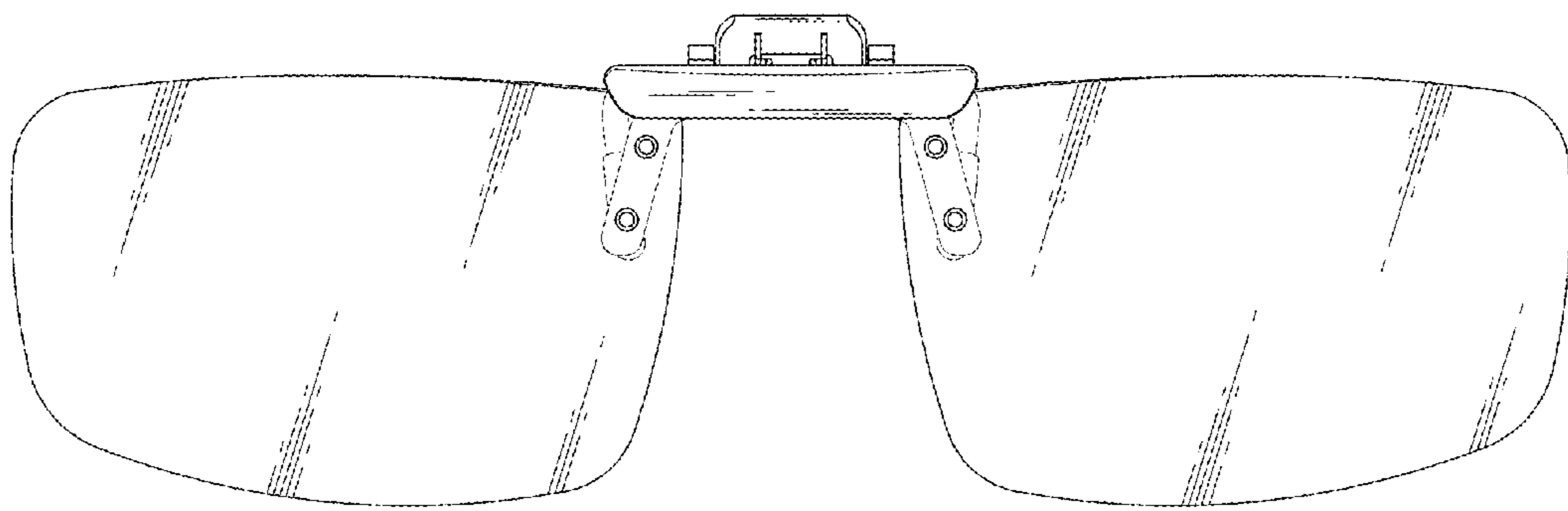


FIG. 3

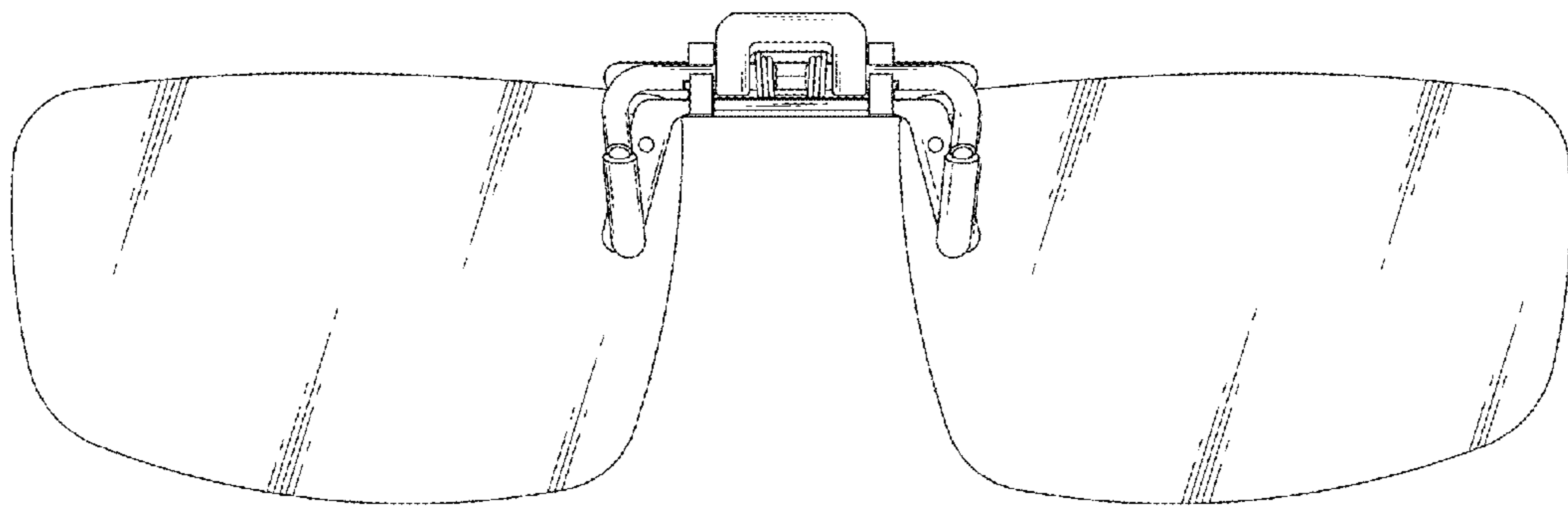


FIG. 4

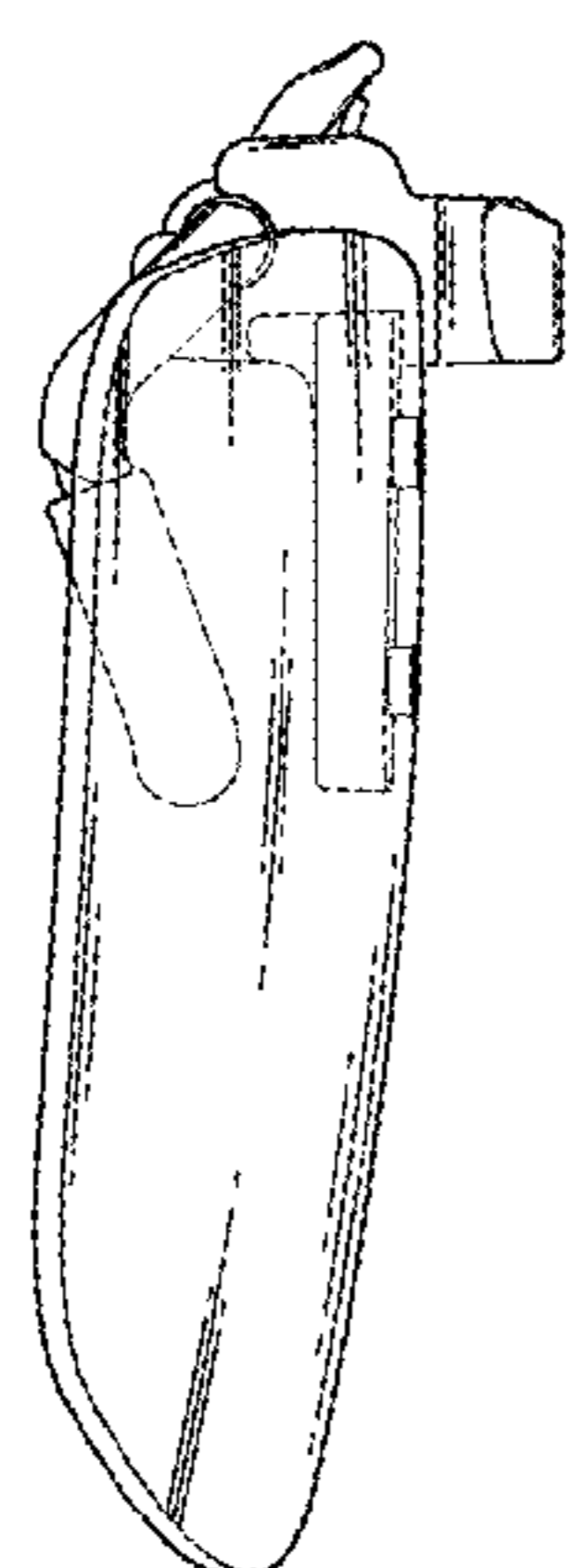


FIG. 5

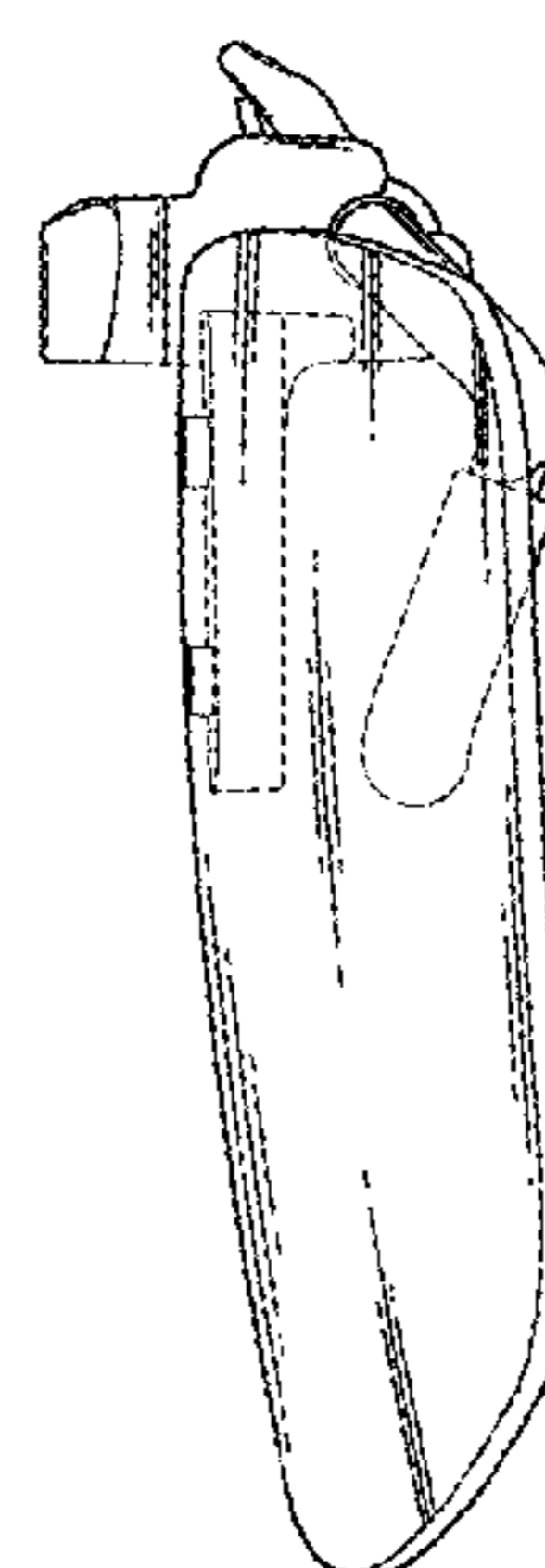


FIG. 6

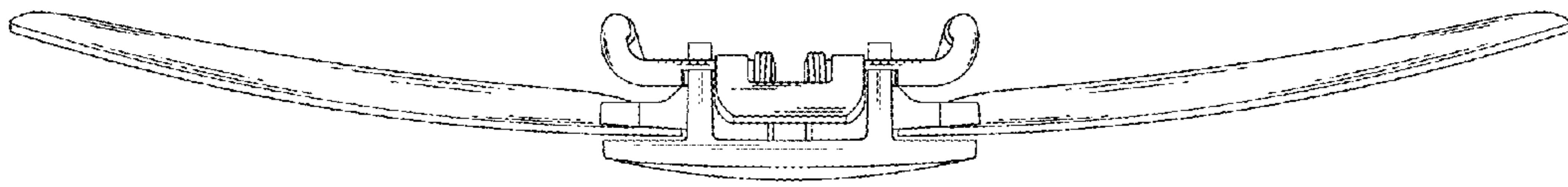


FIG. 7

