



US00D741940S

(12) **United States Design Patent**  
**Kessler et al.**

(10) **Patent No.:** **US D741,940 S**

(45) **Date of Patent:** **\*\* Oct. 27, 2015**

(54) **CAMERA MOUNT**

(71) Applicant: **Kessler Crane, Inc.**, Plymouth, IN (US)

(72) Inventors: **Eric H Kessler**, Bremen, IN (US);  
**Kevin P Mott**, Bremen, IN (US)

(73) Assignee: **Kessler Crane, Inc.**, Plymouth, IN (US)

(\*\*) Term: **14 Years**

(21) Appl. No.: **29/486,958**

(22) Filed: **Apr. 4, 2014**

(51) **LOC (10) Cl.** ..... **16-05**

(52) **U.S. Cl.**  
USPC ..... **D16/242**

(58) **Field of Classification Search**  
USPC ..... D8/355; D16/237, 242, 243, 244, 245;  
248/200, 205.1, 309.1, 310, 346.01,  
248/346.03, 346.05, 346.06; 352/34, 242,  
352/243; 396/5, 12, 419, 428  
See application file for complete search history.

(56) **References Cited**

**U.S. PATENT DOCUMENTS**

D684,147 S *	6/2013	Stifal	.....	D14/239
D693,799 S *	11/2013	Badillo et al.	.....	D14/247
D694,739 S *	12/2013	Badillo et al.	.....	D14/239
D703,643 S *	4/2014	Badillo et al.	.....	D14/247

D712,957 S *	9/2014	Kessler et al.	.....	D16/245
2007/0170337 A1 *	7/2007	Chang	.....	248/346.01
2013/0256484 A1 *	10/2013	Kessler et al.	.....	248/224.7

**OTHER PUBLICATIONS**

<http://blog.planet5d.com/2013/06/introducing-the-kessler-k-plate/>  
Posted Jun. 27, 2013.\*

\* cited by examiner

*Primary Examiner* — Susan Bennett Hattan

*Assistant Examiner* — Leanne Was

(74) *Attorney, Agent, or Firm* — Botkin & Hall, LLP

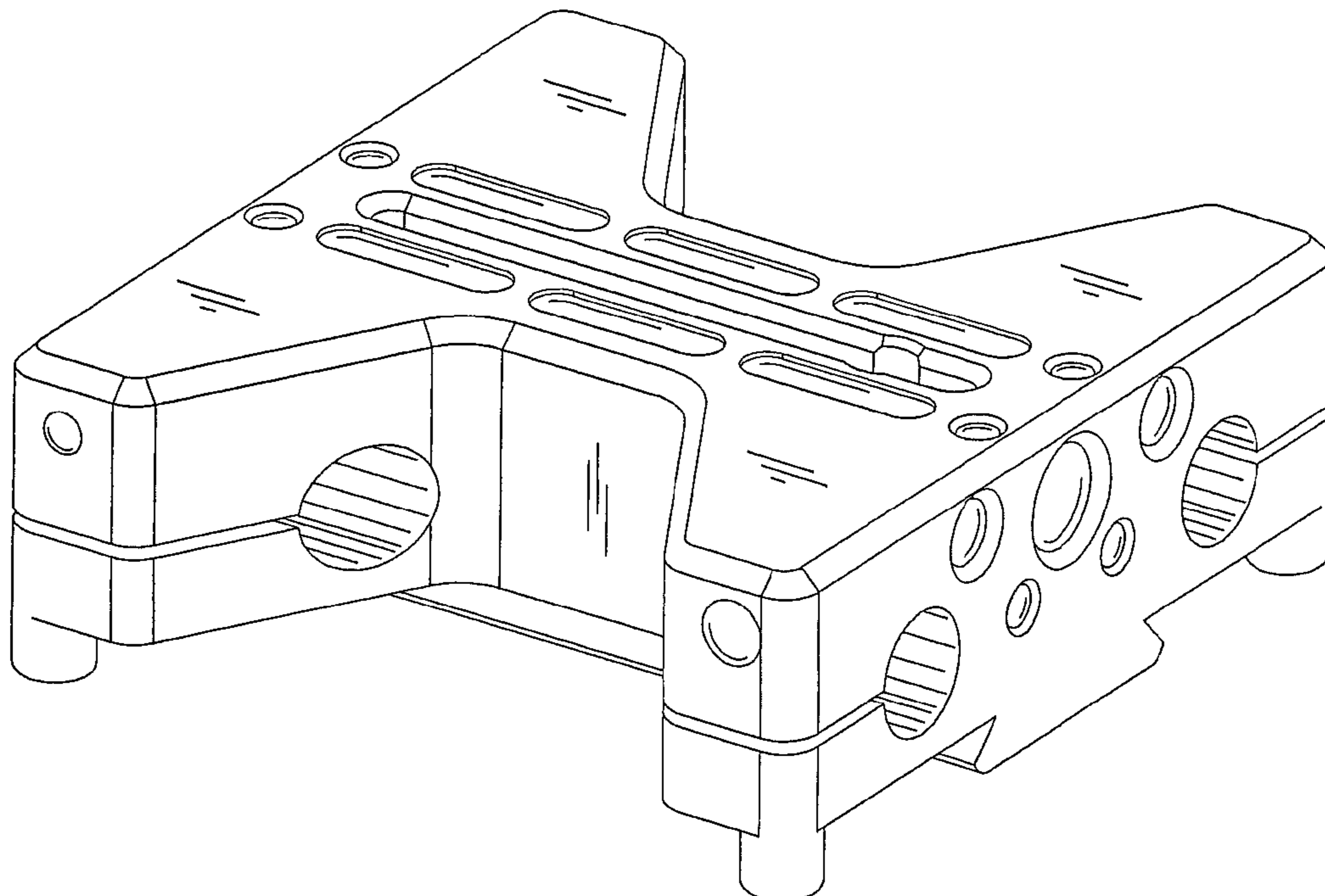
(57) **CLAIM**

The ornamental design for a camera mount, as shown and described.

**DESCRIPTION**

FIG. 1 is a top perspective view of a camera mount;  
FIG. 2 is a bottom perspective view of the camera mount of FIG. 1;  
FIG. 3 is a top view of the camera mount of FIG. 1;  
FIG. 4 is a front view of the camera mount of FIG. 1;  
FIG. 5 is a back view of the camera mount of FIG. 1;  
FIG. 6 is a bottom side view of the camera mount of FIG. 1;  
FIG. 7 is a left view of the camera mount of FIG. 1; and,  
FIG. 8 is a right side view of the camera mount of FIG. 1.

**1 Claim, 3 Drawing Sheets**



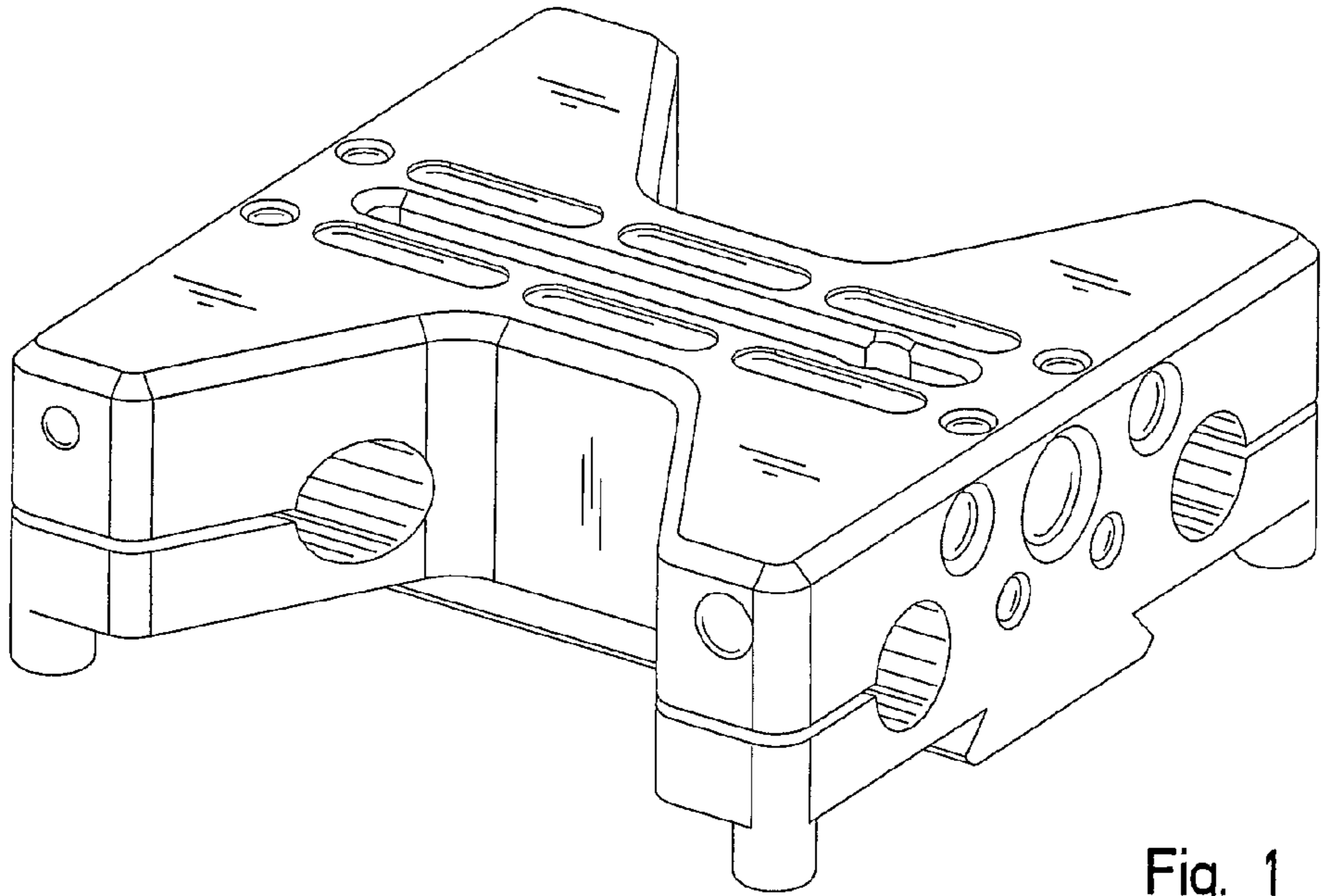


Fig. 1

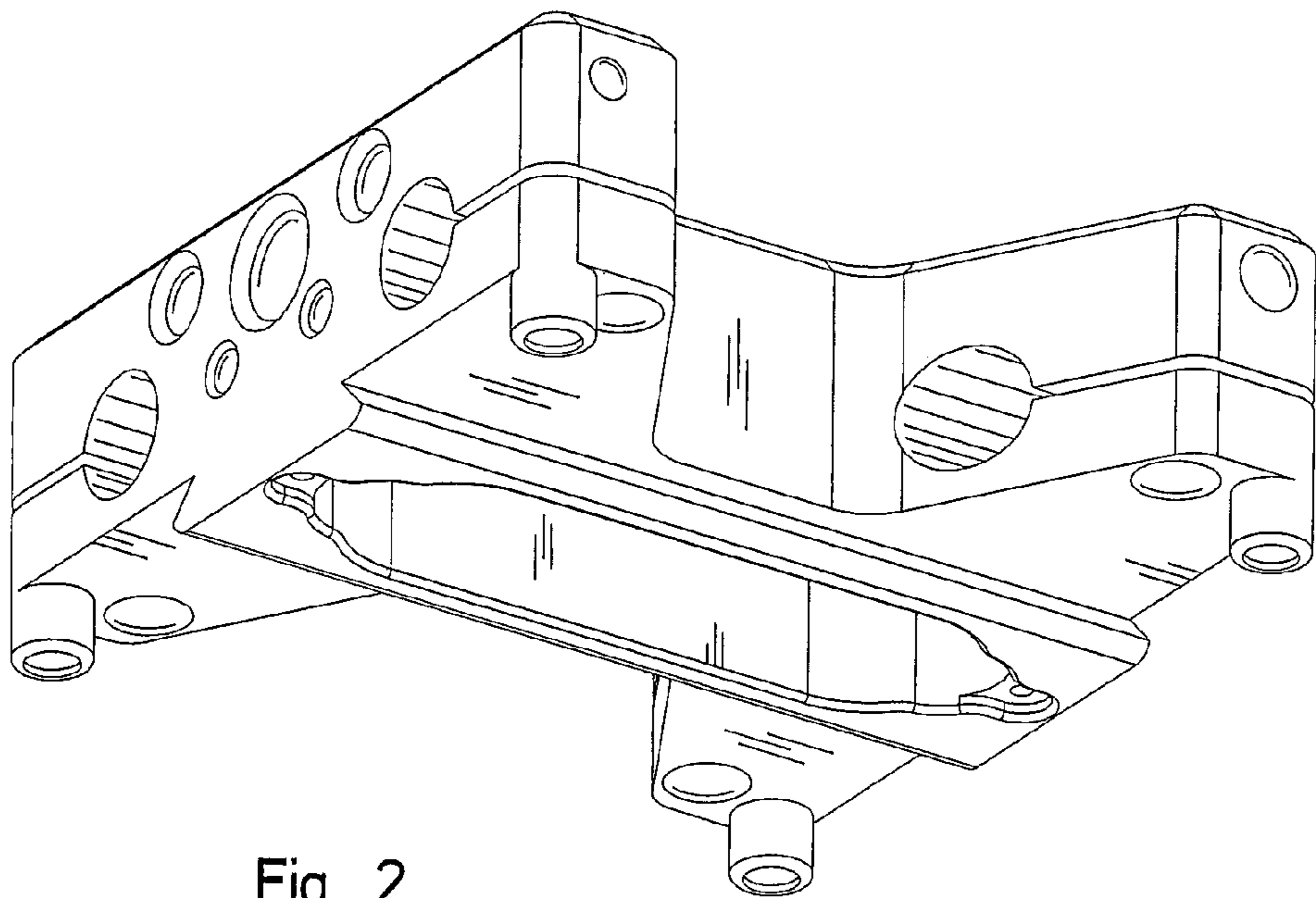


Fig. 2

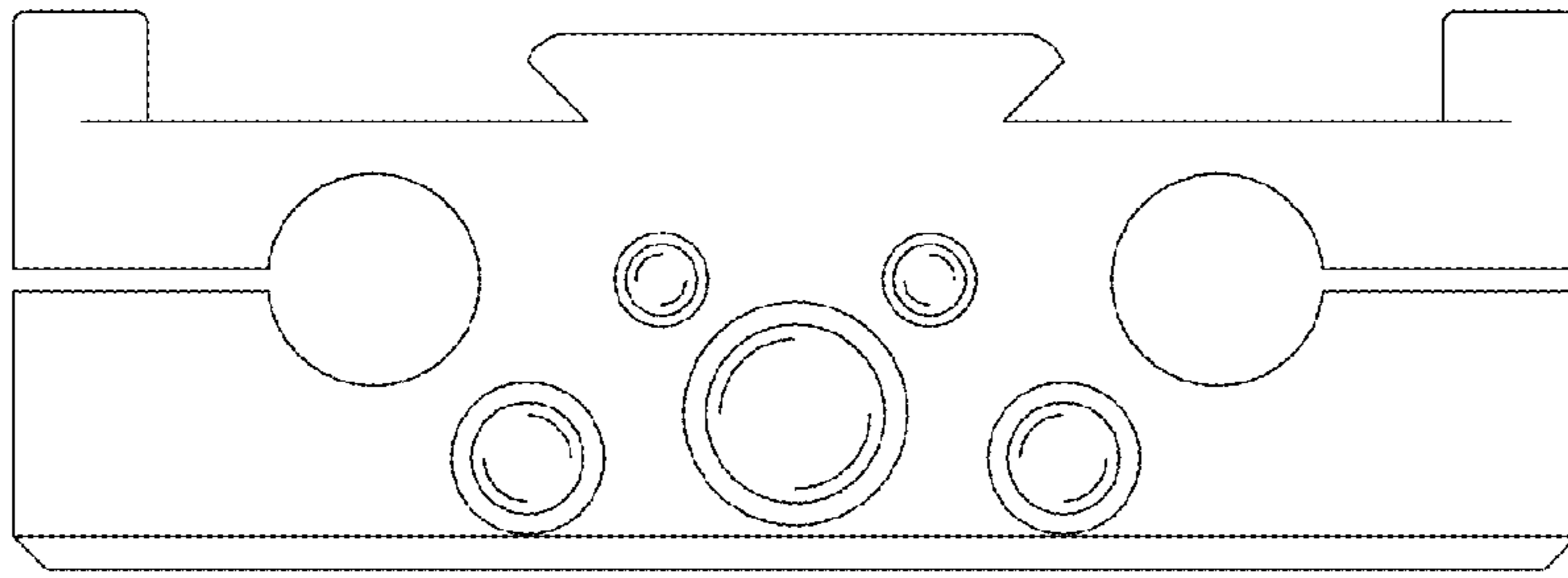


Fig. 4

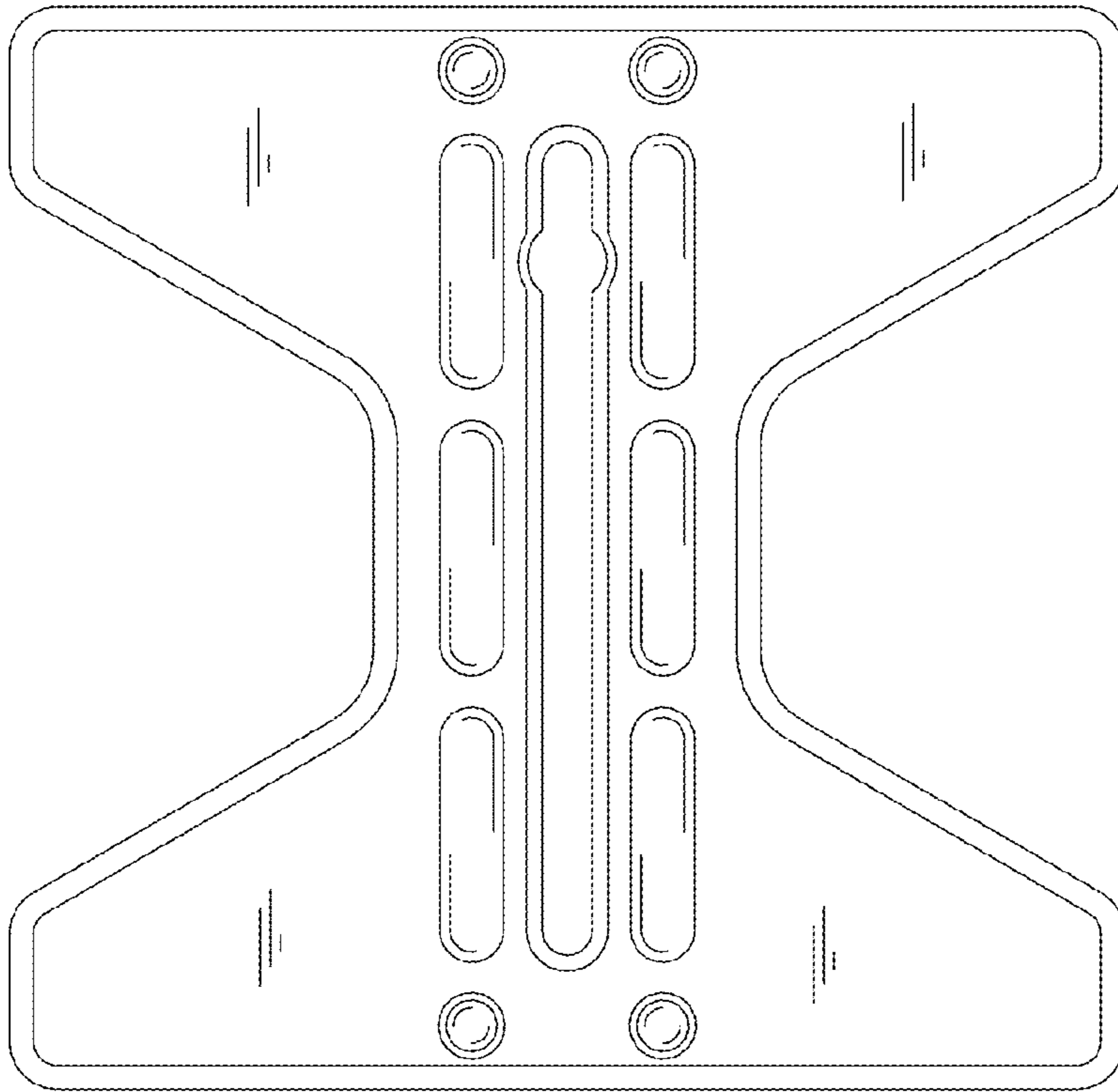


Fig. 3

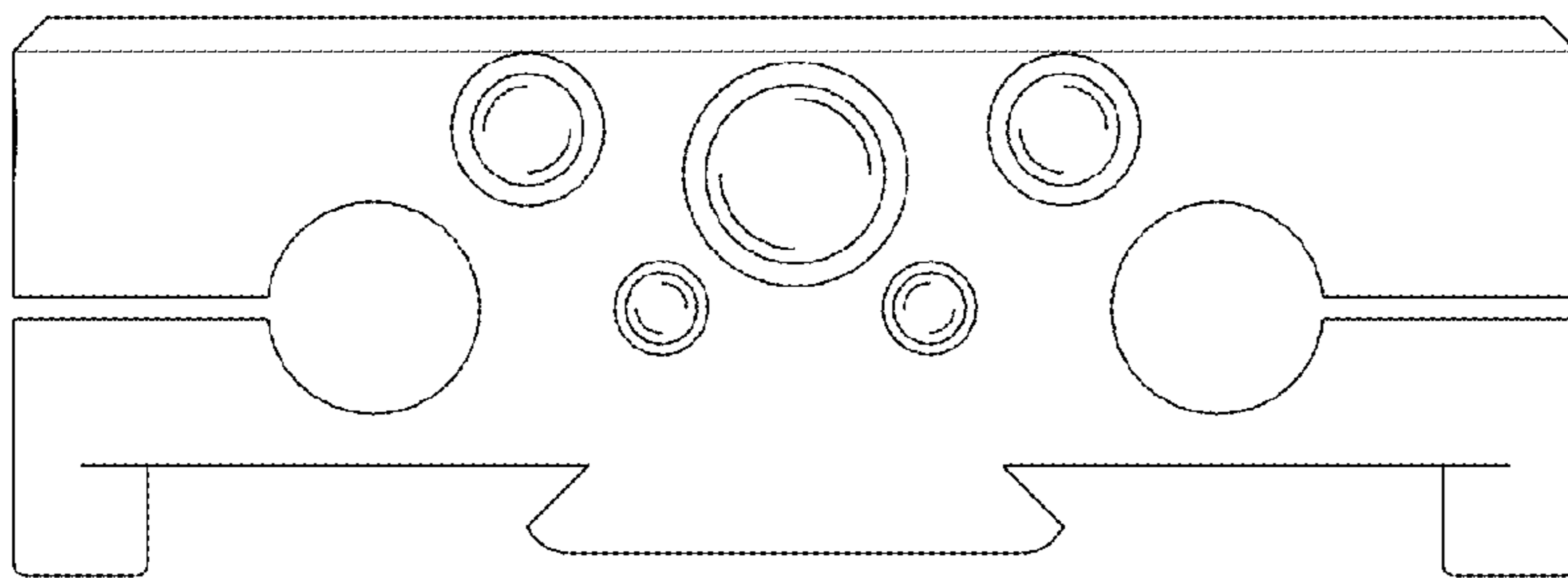


Fig. 5

Fig. 6

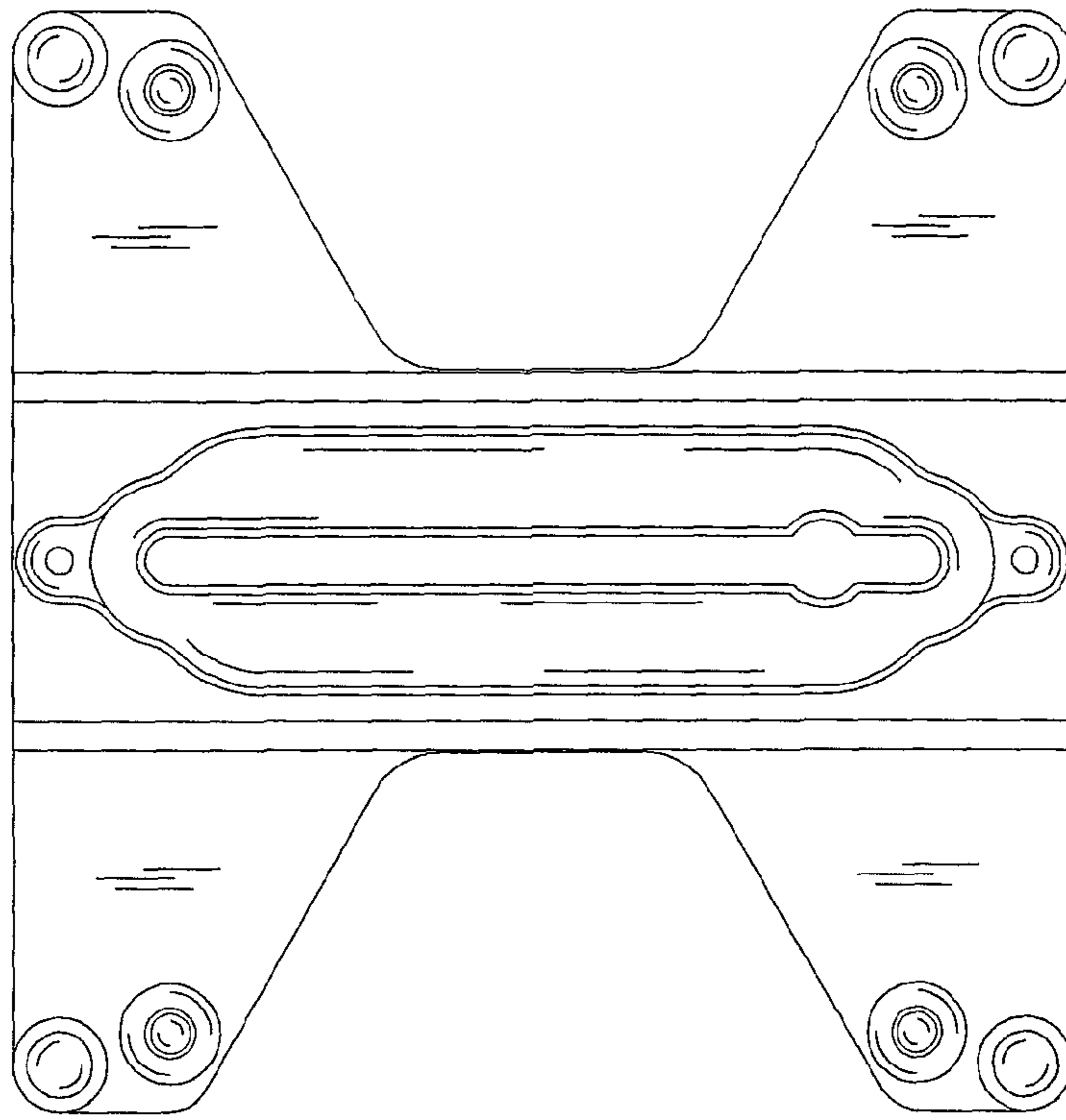


Fig. 7

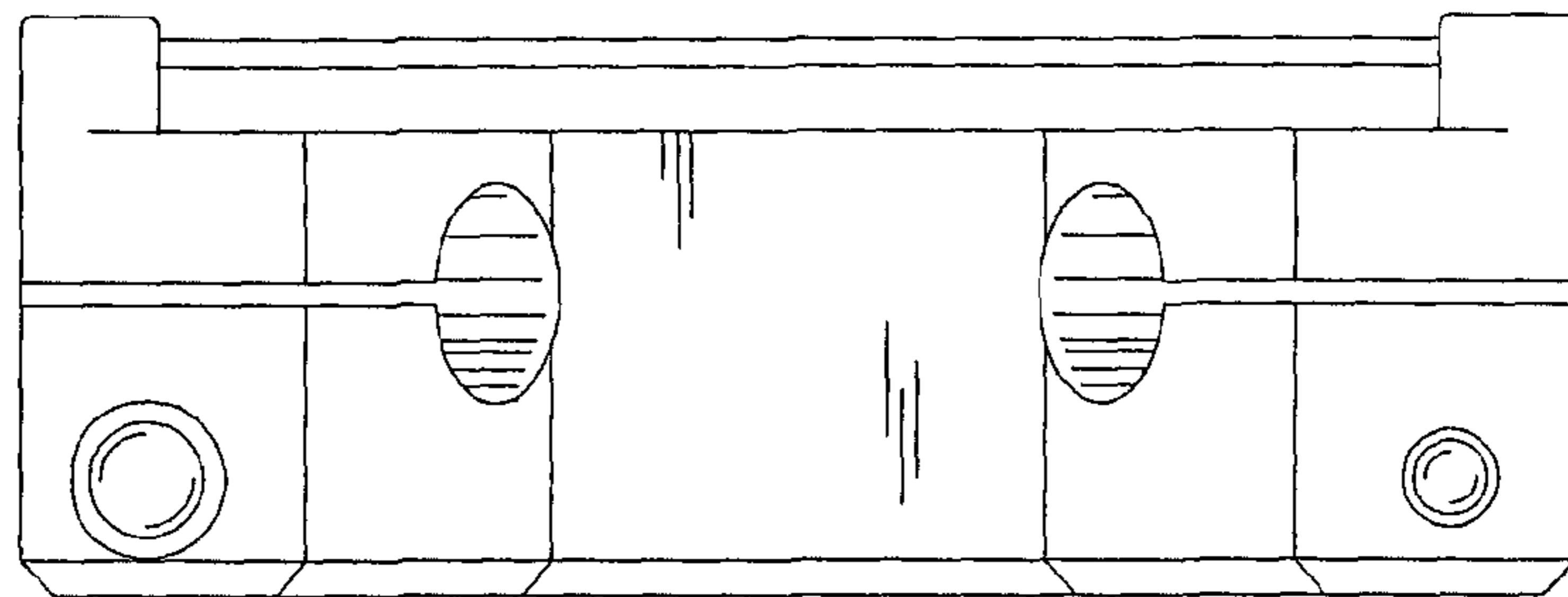


Fig. 8

