



US00D741939S

(12) **United States Design Patent**
Chang

(10) **Patent No.:** **US D741,939 S**
(45) **Date of Patent:** **** Oct. 27, 2015**

(54) **COVER FOR LENS OF PORTABLE ELECTRONIC APPARATUS**

2013/0208169 A1* 8/2013 Hegde 348/335
2014/0119718 A1* 5/2014 Oh et al. 396/448
2014/0169741 A1* 6/2014 Fortusini et al. 385/52

(71) Applicant: **ALTEK CORPORATION**, Hsinchu (TW)

FOREIGN PATENT DOCUMENTS

(72) Inventor: **Jui-Hsin Chang**, Miaoli County (TW)

TW 145519 11/1990

(73) Assignee: **ALTEK CORPORATION**, Hsinchu (TW)

OTHER PUBLICATIONS

(**) Term: **14 Years**

“Office Action of Taiwan Counterpart Application”, issued on Nov. 24, 2014, p. 1-p. 3.

(21) Appl. No.: **29/503,041**

* cited by examiner

(22) Filed: **Sep. 23, 2014**

Primary Examiner — Susan Bennett Hattan

Assistant Examiner — Leanne Was

(30) **Foreign Application Priority Data**

Sep. 11, 2014 (TW) 103305334

(74) *Attorney, Agent, or Firm* — Jianq Chyun IP Office

(51) **LOC (10) Cl.** **16-05**

(57) **CLAIM**

The ornamental design for a cover for lens of portable electronic apparatus, as shown and described.

(52) **U.S. Cl.**

USPC **D16/237**; D14/250

DESCRIPTION

(58) **Field of Classification Search**

USPC D14/204, 209.1, 210, 215, 216, 217, D14/238.1, 345, 356, 432, 483; D16/237, D16/242, 245, 250, 330; 348/371; 361/679.01, 679.02; 396/165, 176, 448
See application file for complete search history.

FIG. 1 is a front perspective view of a cover for lens of portable electronic apparatus showing my new design; FIG. 2 is a rear perspective view thereof; FIG. 3 is a bottom perspective view thereof; FIG. 4 is a front view thereof; FIG. 5 is a rear view thereof; FIG. 6 is a left side view thereof; FIG. 7 is a right side view thereof; FIG. 8 is a top view thereof; FIG. 9 is a bottom view thereof; FIG. 10 is a top front perspective view thereof showing a detached state in use; and, FIG. 11 is a top front perspective view thereof showing an assembled state in use.

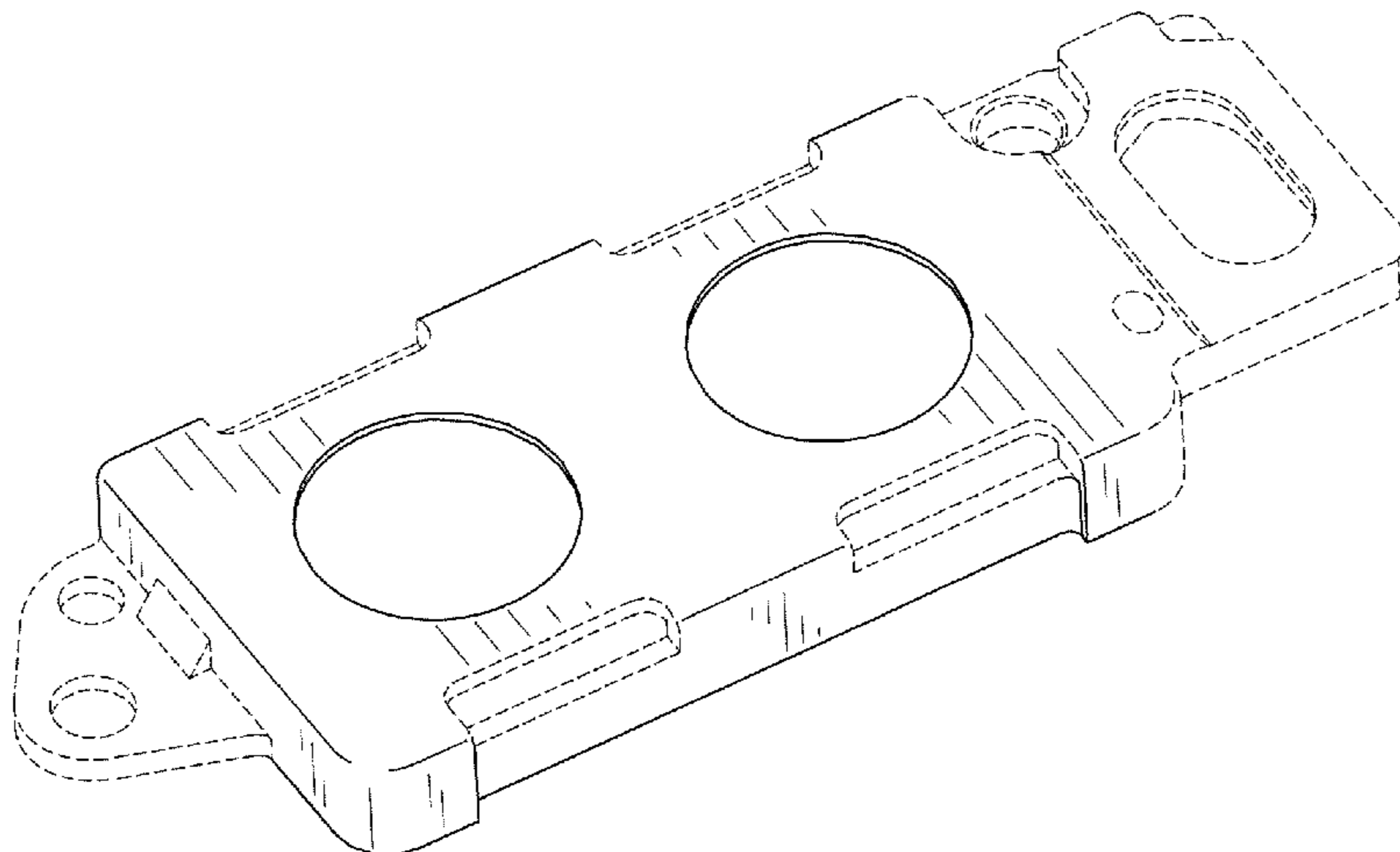
(56) **References Cited**

U.S. PATENT DOCUMENTS

D594,849 S * 6/2009 Ko D14/217
D625,290 S * 10/2010 Chen D14/215
7,914,212 B2 * 3/2011 Shi et al. 396/448
8,471,956 B2 * 6/2013 Fortmann 348/373
8,964,003 B2 * 2/2015 Oh et al. 348/47
9,007,522 B1 * 4/2015 O’Neill et al. 348/375
2006/0163095 A1 * 7/2006 Yanagisawa et al. 206/316.2
2010/0166414 A1 * 7/2010 Zhang et al. 396/448
2010/0183290 A1 * 7/2010 Yang et al. 396/448
2011/0051335 A1 * 3/2011 Han 361/679.01
2012/0229700 A1 * 9/2012 Hsiung 348/371

The broken lines depict portions of the cover for lens of portable electronic apparatus that form no part of the claimed design.

1 Claim, 8 Drawing Sheets



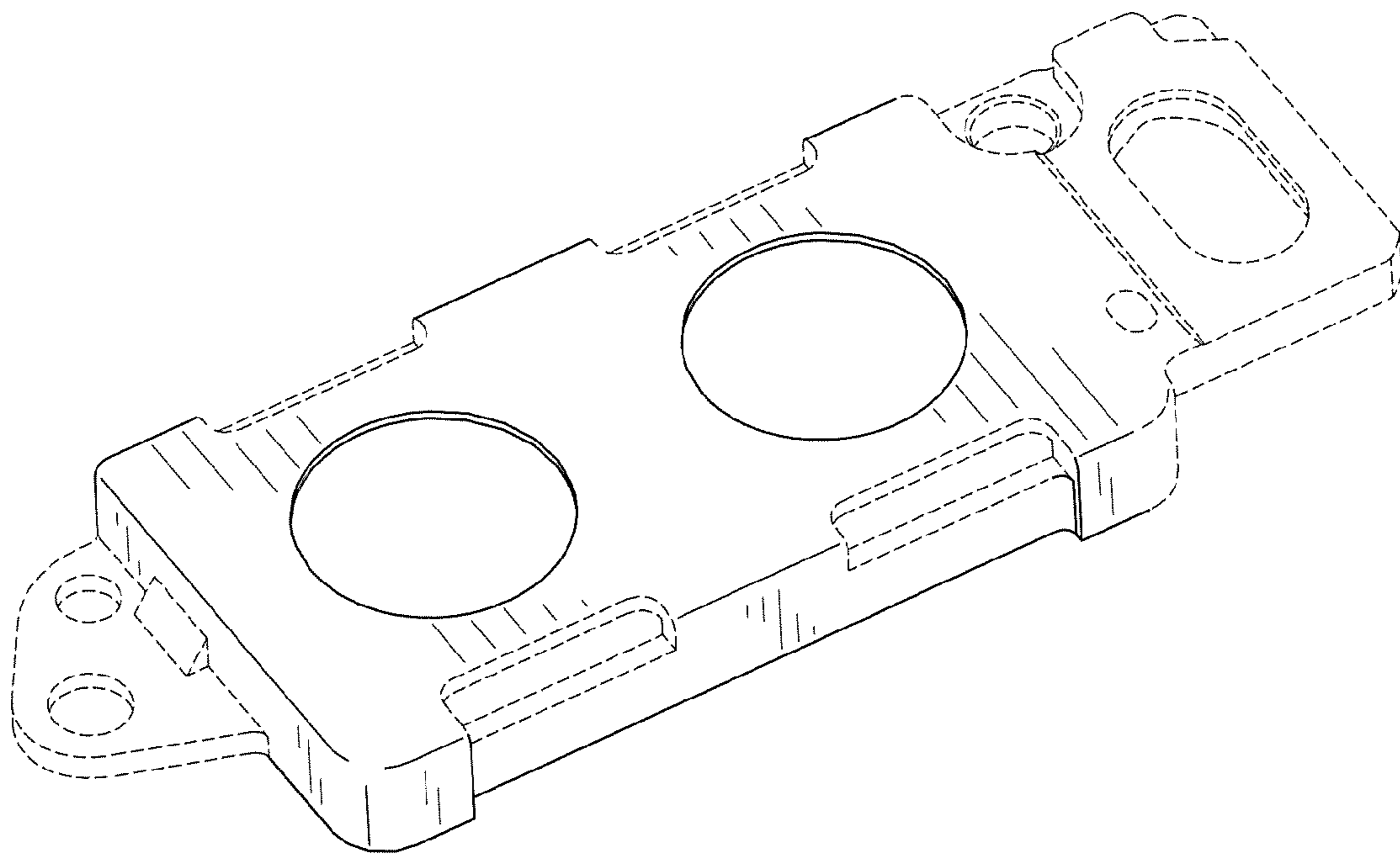


FIG. 1

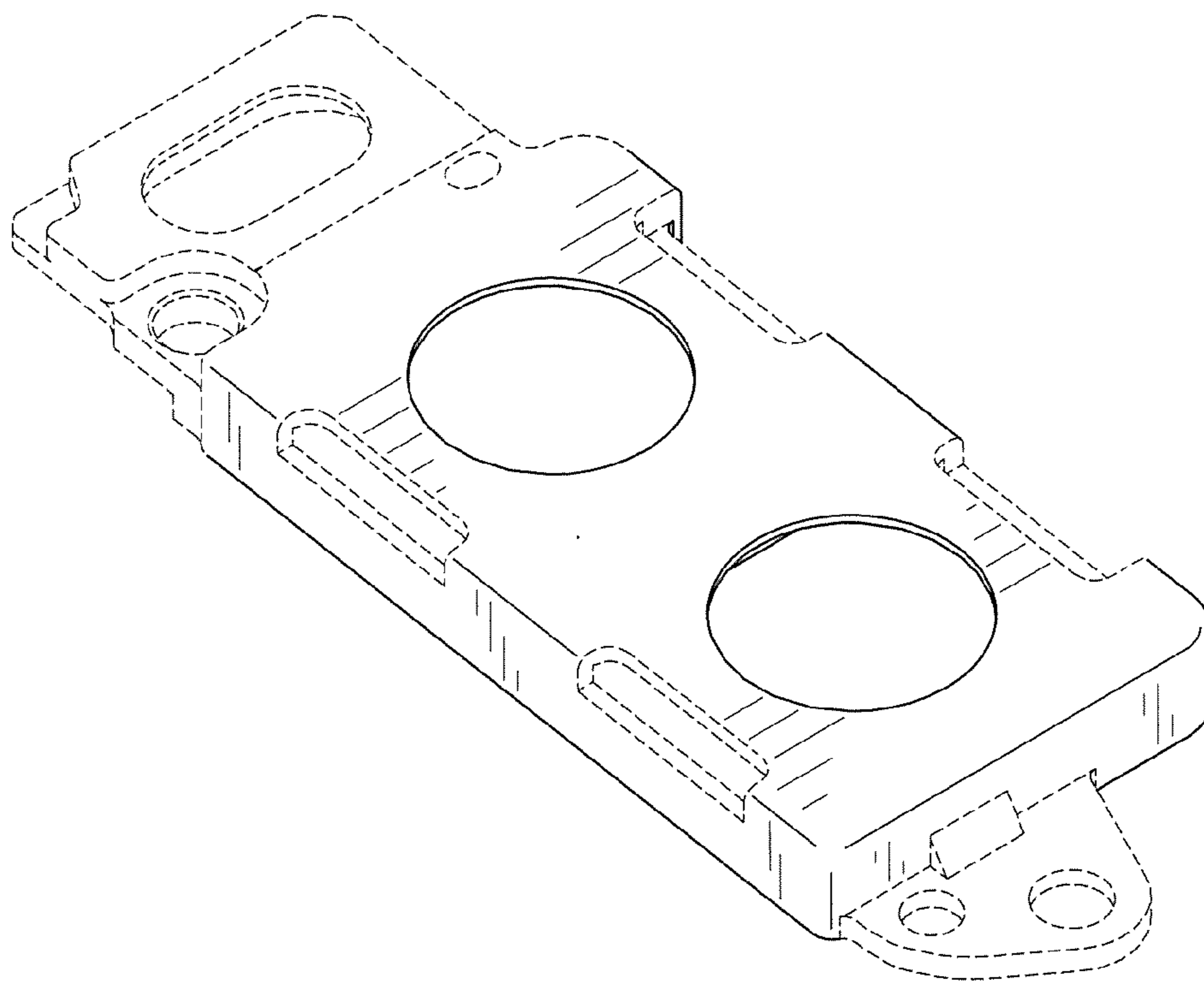


FIG. 2

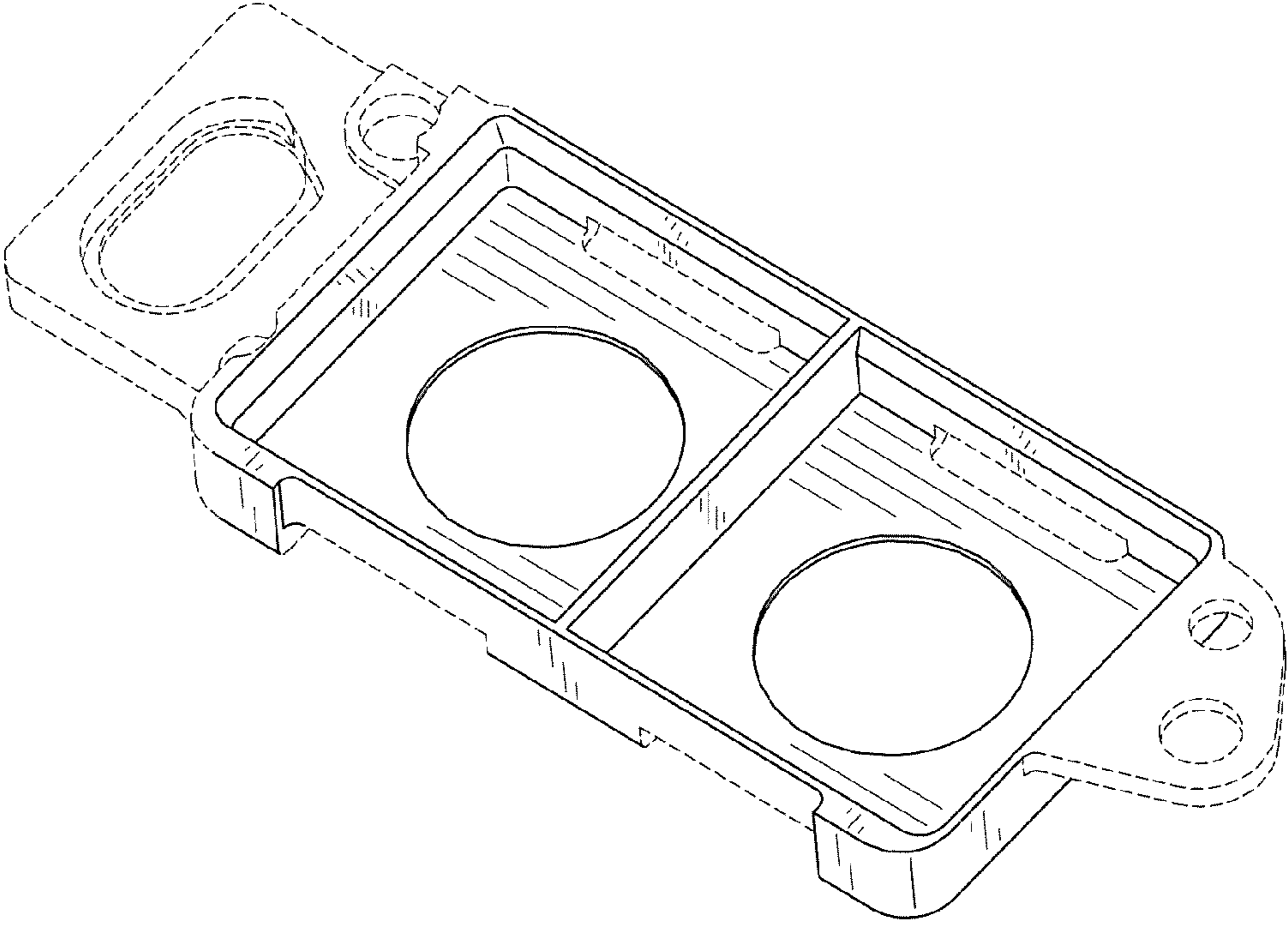


FIG. 3

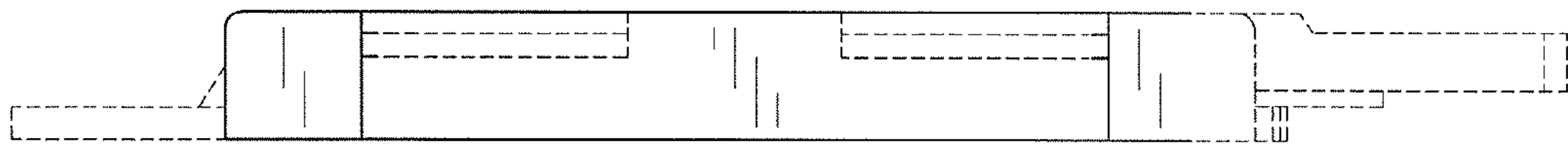


FIG. 4

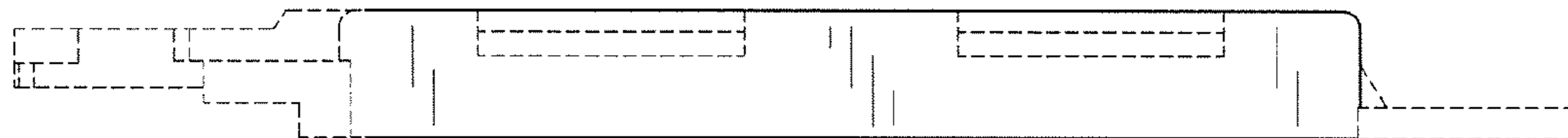


FIG. 5

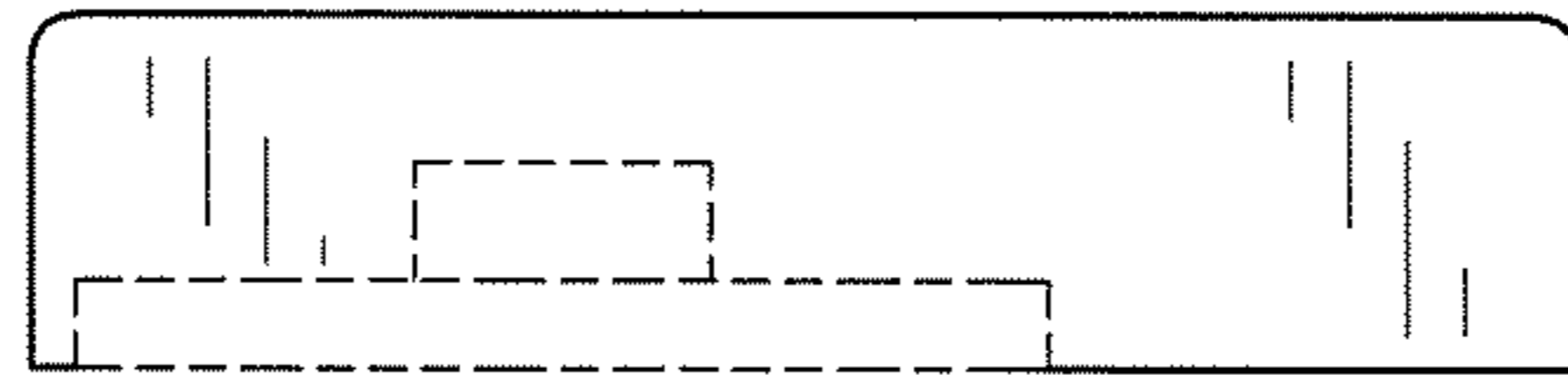


FIG. 6



FIG. 7

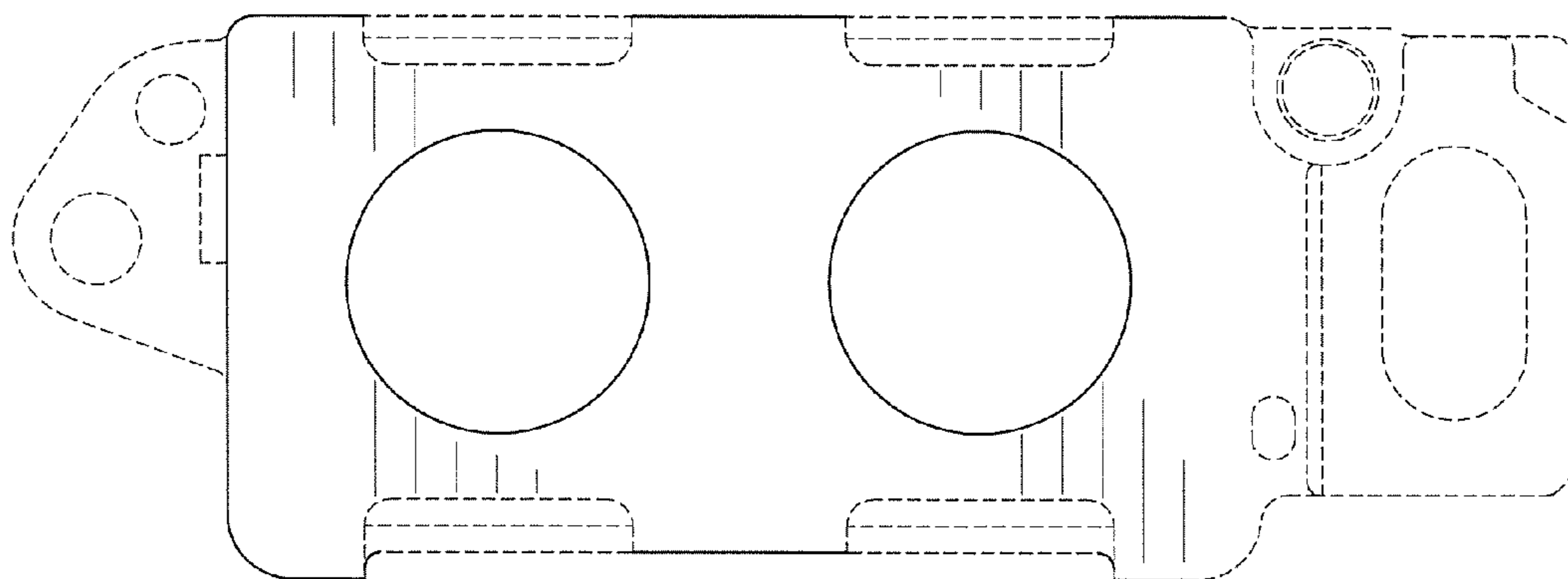


FIG. 8

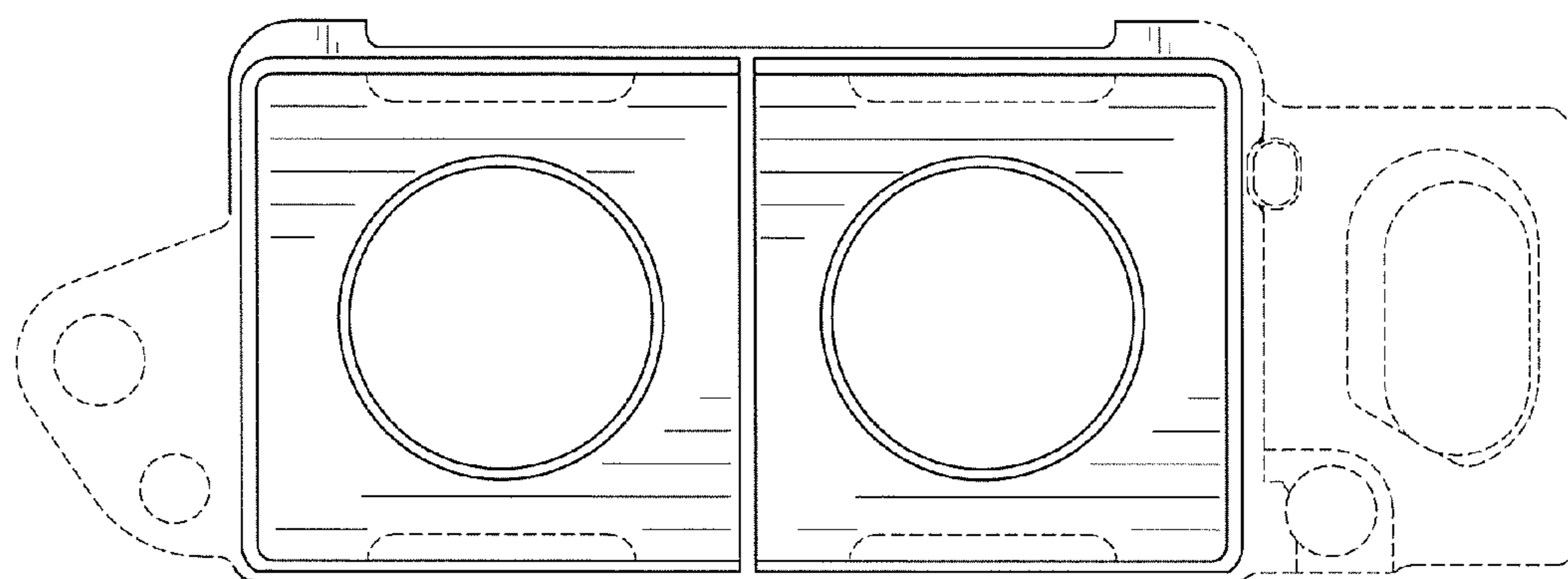


FIG. 9

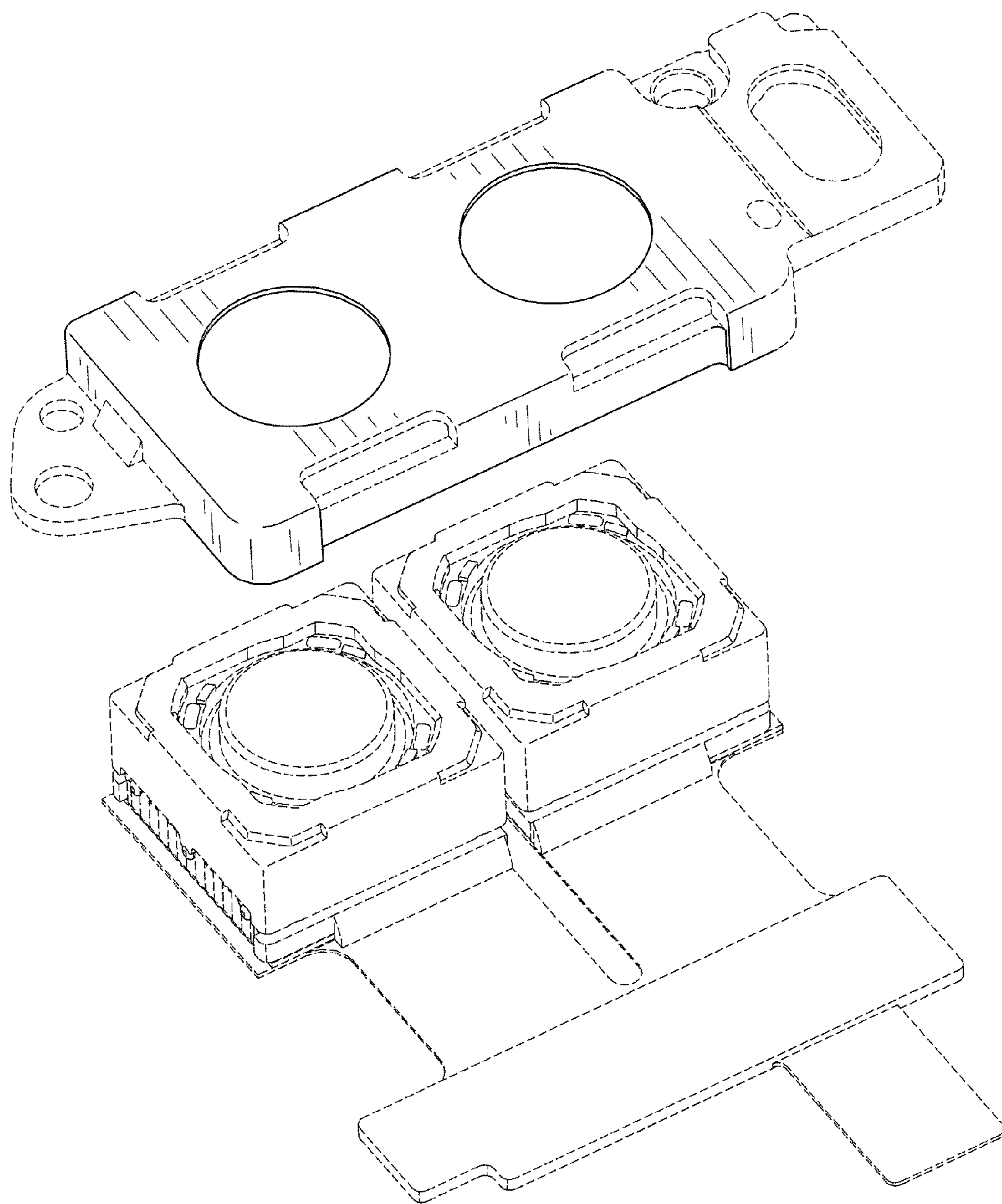


FIG. 10

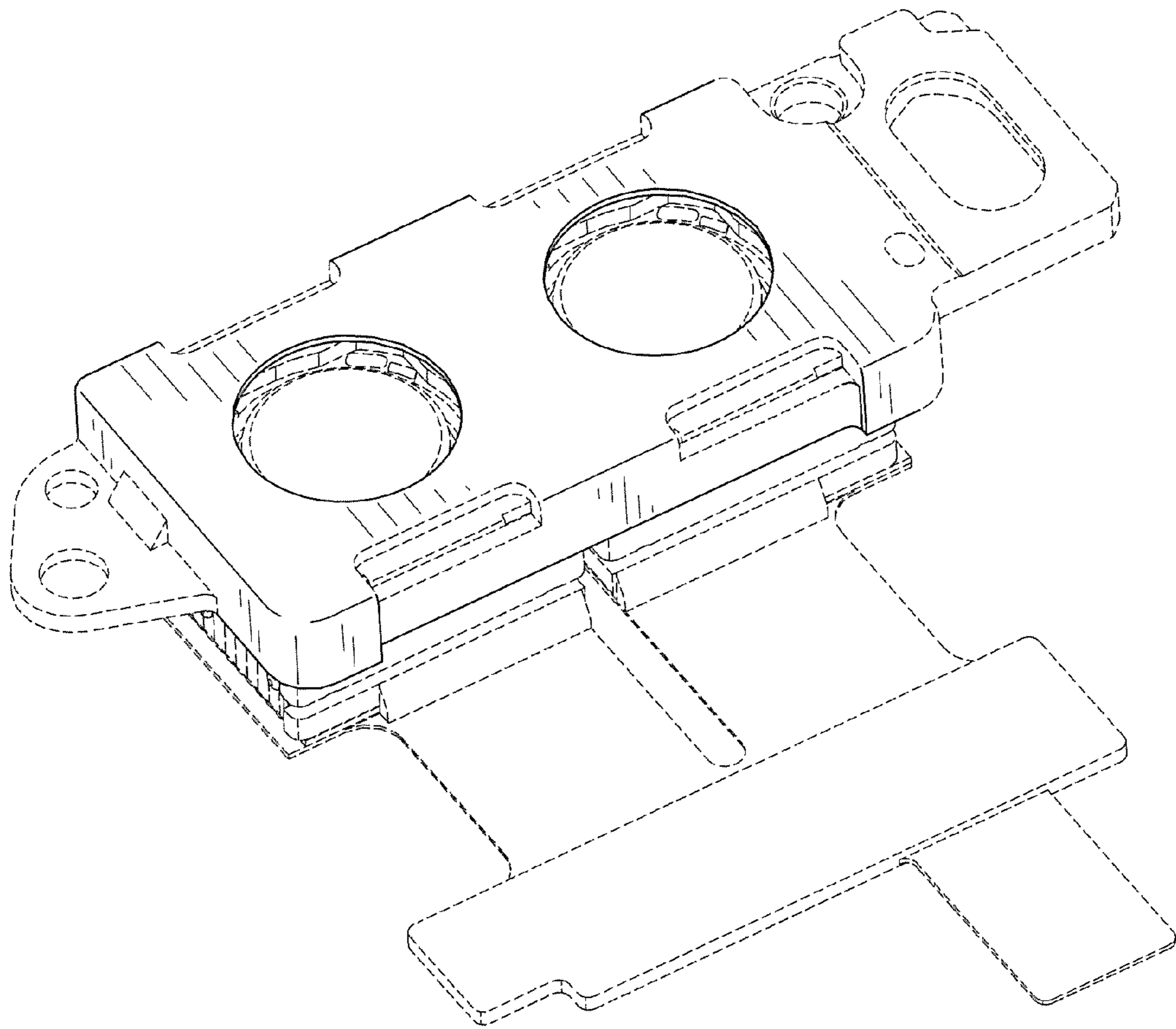


FIG. 11