



US00D741937S

(12) **United States Design Patent**  
**Park et al.**

(10) **Patent No.:** **US D741,937 S**

(45) **Date of Patent:** **\*\* Oct. 27, 2015**

(54) **LENS FOR CAMERA**

(71) Applicant: **SAMYANG OPTICS CO., LTD,**  
Changwon-si (KR)

(72) Inventors: **Jong-Young Park,** Changwon-si (KR);  
**Woo-Hyun Jung,** Changwon-si (KR)

(73) Assignee: **SAMYANG OPTICS CO., LTD (KR)**

(\*\*) Term: **14 Years**

(21) Appl. No.: **29/496,077**

(22) Filed: **Jul. 9, 2014**

(30) **Foreign Application Priority Data**

May 12, 2014 (KR) ..... 30-2014-0023407

(51) **LOC (10) Cl.** ..... **16-05**

(52) **U.S. Cl.**  
USPC ..... **D16/219**

(58) **Field of Classification Search**

USPC ..... D16/134, 136, 200, 202–205, 218, 219,  
D16/235, 242; 348/373–376; 359/826–828;  
396/529–532, 535, 539–541

CPC ..... G03B 17/02; G03B 19/04; G03B 17/56;  
G03B 17/04; G03B 15/03; G03B 17/14;  
H04N 5/2251; H04N 5/2252; H04N 5/2253;  
H04N 5/2254; G02B 7/02; G02B 7/04;  
G02B 7/14

See application file for complete search history.

(56) **References Cited**

**U.S. PATENT DOCUMENTS**

D433,044 S \* 10/2000 Nagaoka et al. .... D16/134  
D446,232 S \* 8/2001 Watanabe ..... D16/134  
D550,745 S \* 9/2007 Watanabe ..... D16/219

D562,862 S \* 2/2008 Yasutomi ..... D16/134  
D562,863 S \* 2/2008 Yasutomi ..... D16/134  
D562,864 S \* 2/2008 Yasutomi ..... D16/134  
D562,865 S \* 2/2008 Yasutomi ..... D16/134  
D566,158 S \* 4/2008 Yasutomi ..... D16/219  
7,625,144 B2 \* 12/2009 Kranz et al. .... 396/529  
D665,837 S \* 8/2012 Tainaka ..... D16/219  
D670,751 S \* 11/2012 Koyama et al. .... D16/219  
D684,208 S \* 6/2013 Lee ..... D16/219  
D696,709 S \* 12/2013 Sato ..... D16/219  
D704,759 S \* 5/2014 Park et al. .... D16/219  
D704,760 S \* 5/2014 Jung et al. .... D16/219  
D709,119 S \* 7/2014 Kim et al. .... D16/219  
D718,361 S \* 11/2014 Noh ..... D16/219

\* cited by examiner

*Primary Examiner* — Adir Aronovich

*Assistant Examiner* — Ramzi Almatrahi

(74) *Attorney, Agent, or Firm* — Cantor Colburn LLP

(57) **CLAIM**

The ornamental design for a lens for camera, as shown and described.

**DESCRIPTION**

FIG. 1 is a front and left side perspective view of a lens for camera showing our new design;  
FIG. 2 is a front elevational view thereof;  
FIG. 3 is a rear elevational view thereof;  
FIG. 4 is a left side elevational view thereof;  
FIG. 5 is a right side elevational view thereof;  
FIG. 6 is a top plan view thereof;  
FIG. 7 is a bottom plan view thereof; and,  
FIG. 8 is a rear and left side perspective view thereof.  
The broken lines are included for illustrative purposes and form no part of the claimed design.

**1 Claim, 8 Drawing Sheets**

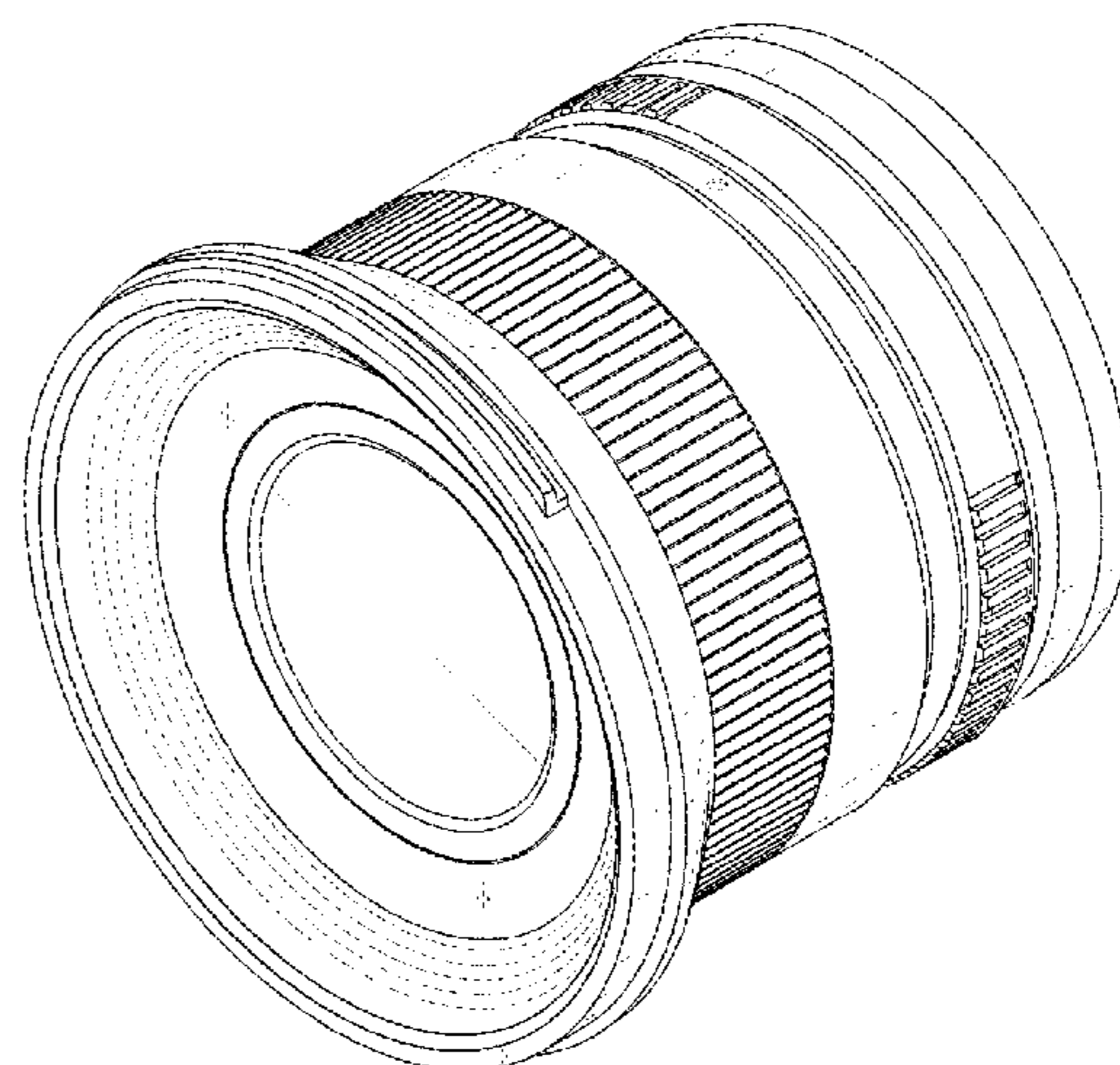
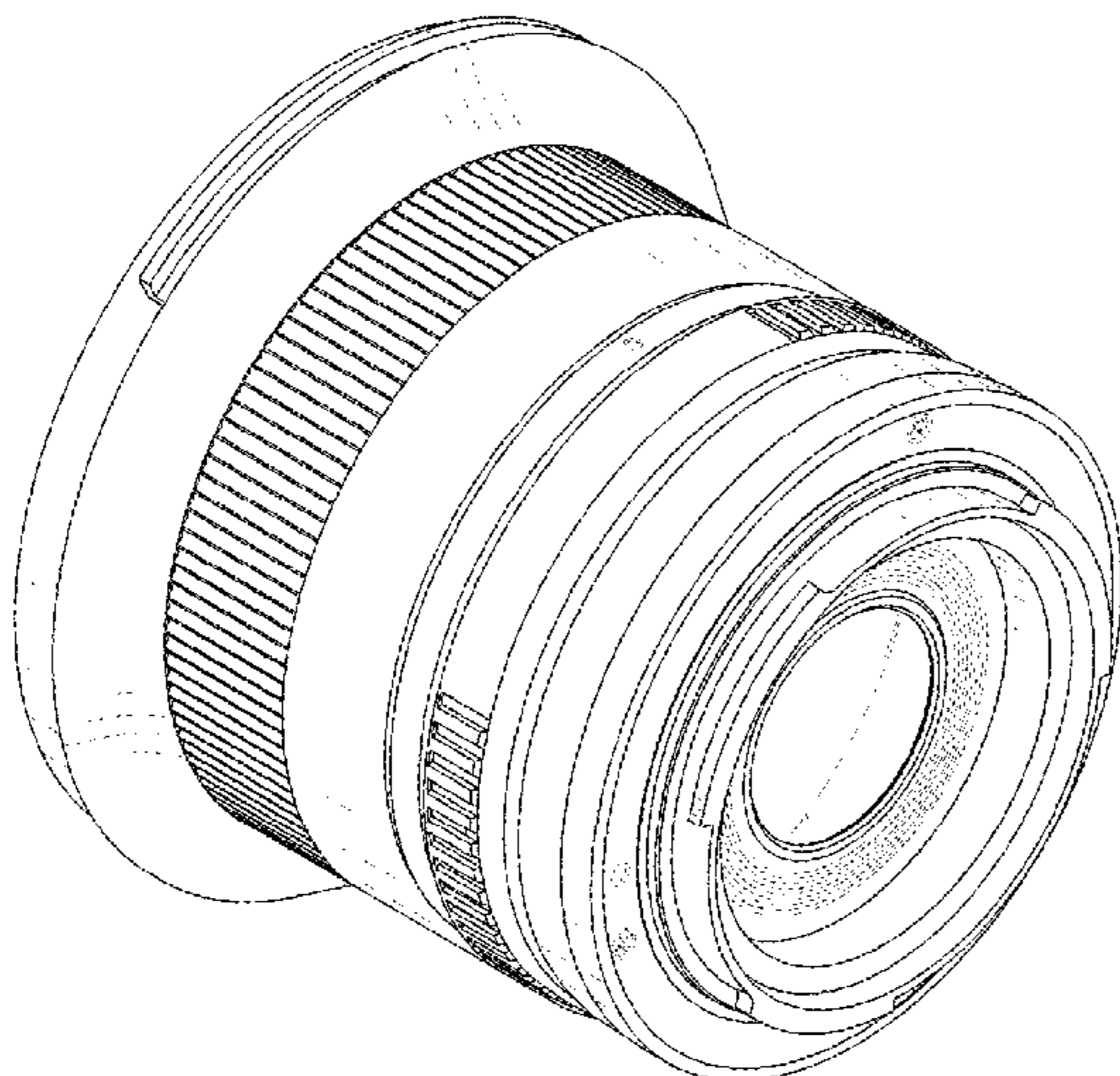


FIG. 1

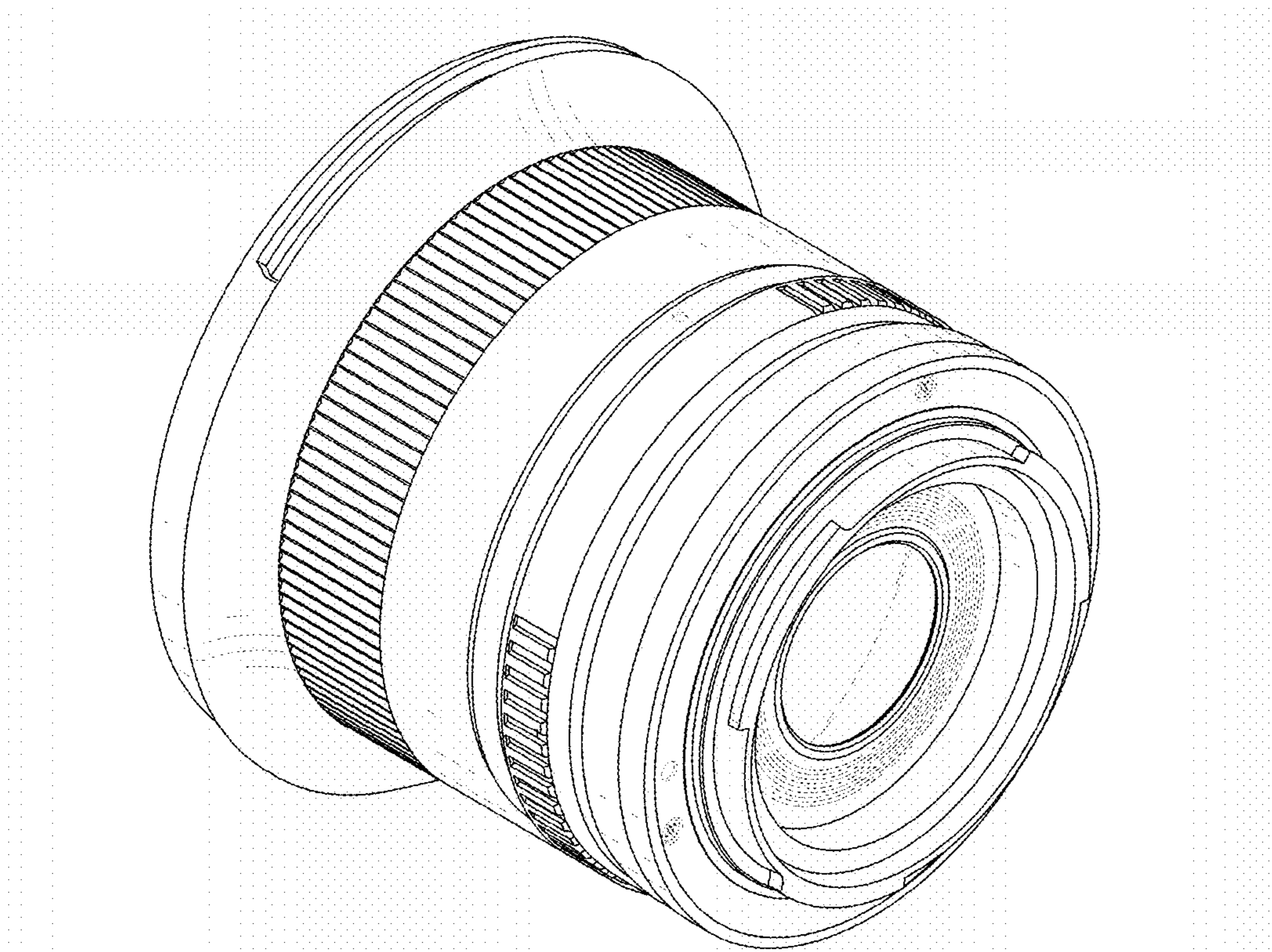


FIG. 2

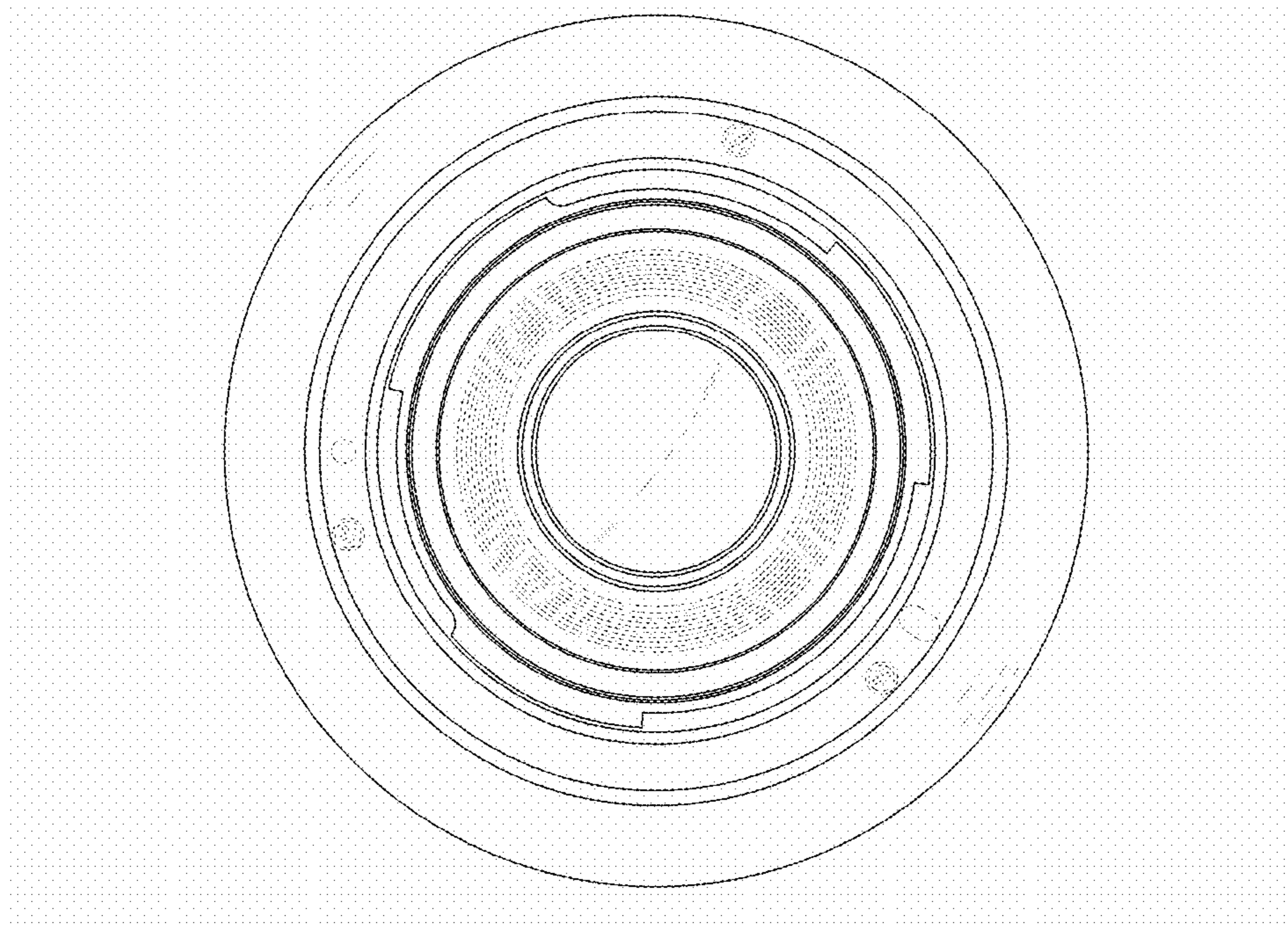


FIG. 3

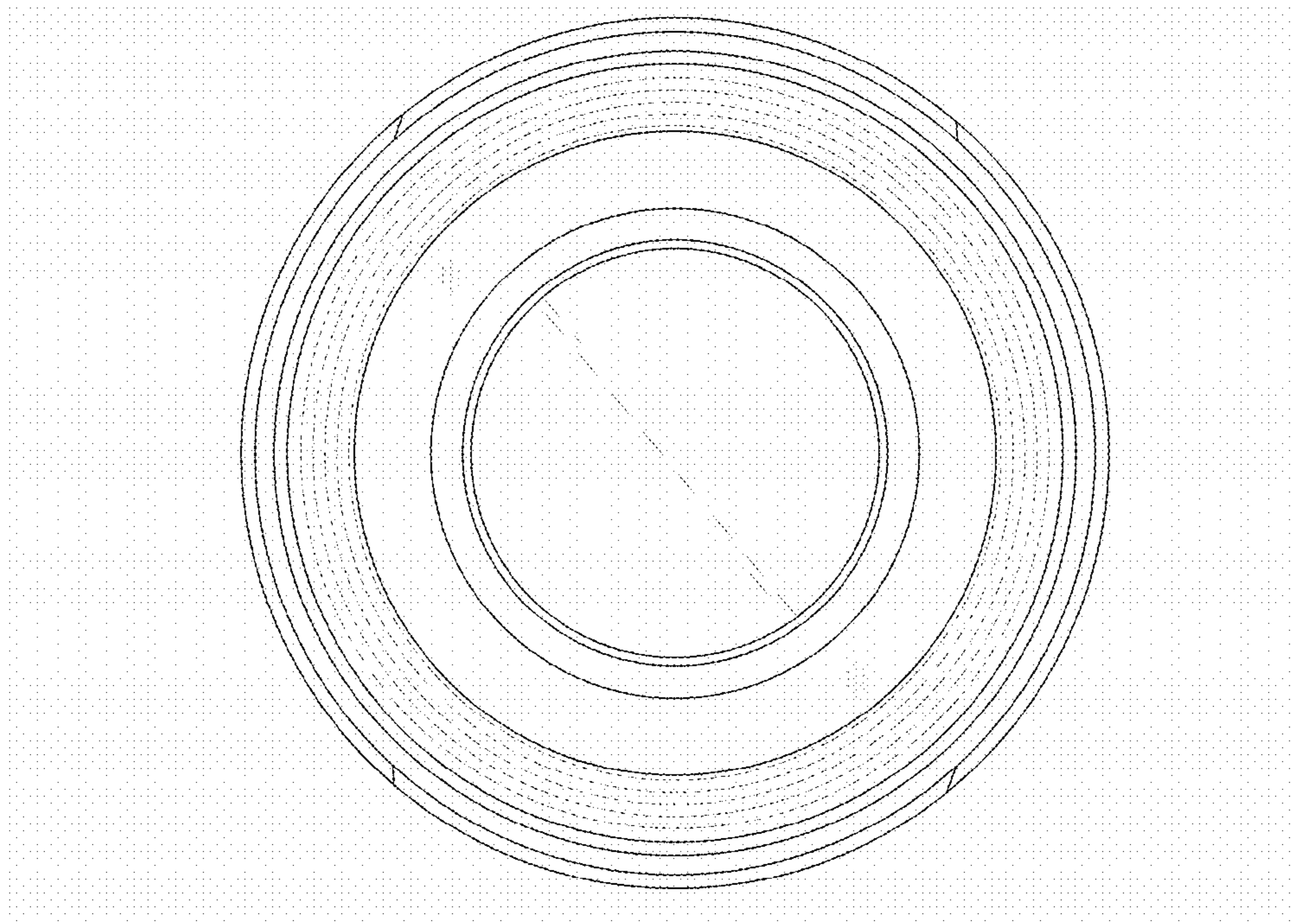


FIG. 4

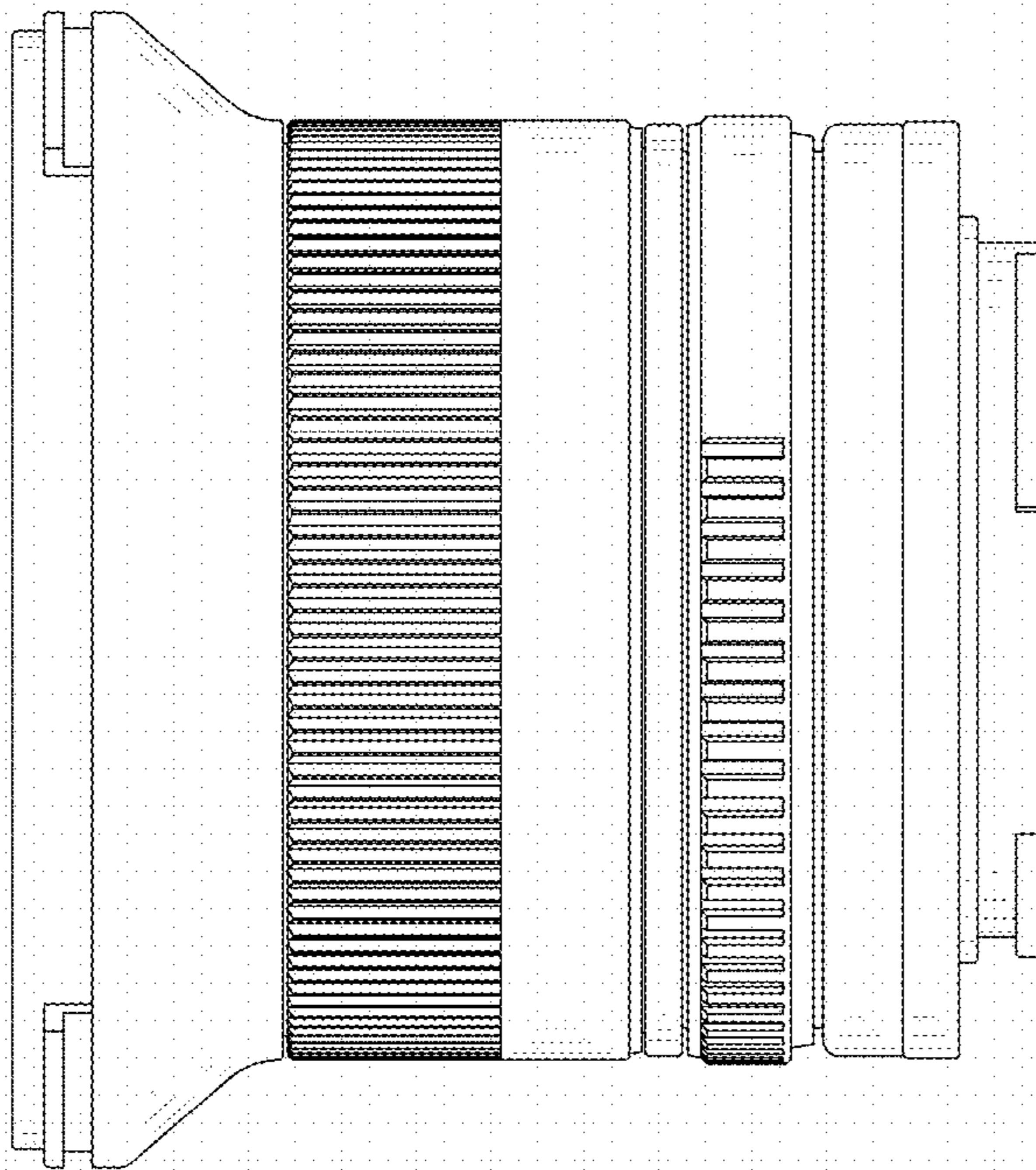


FIG. 5

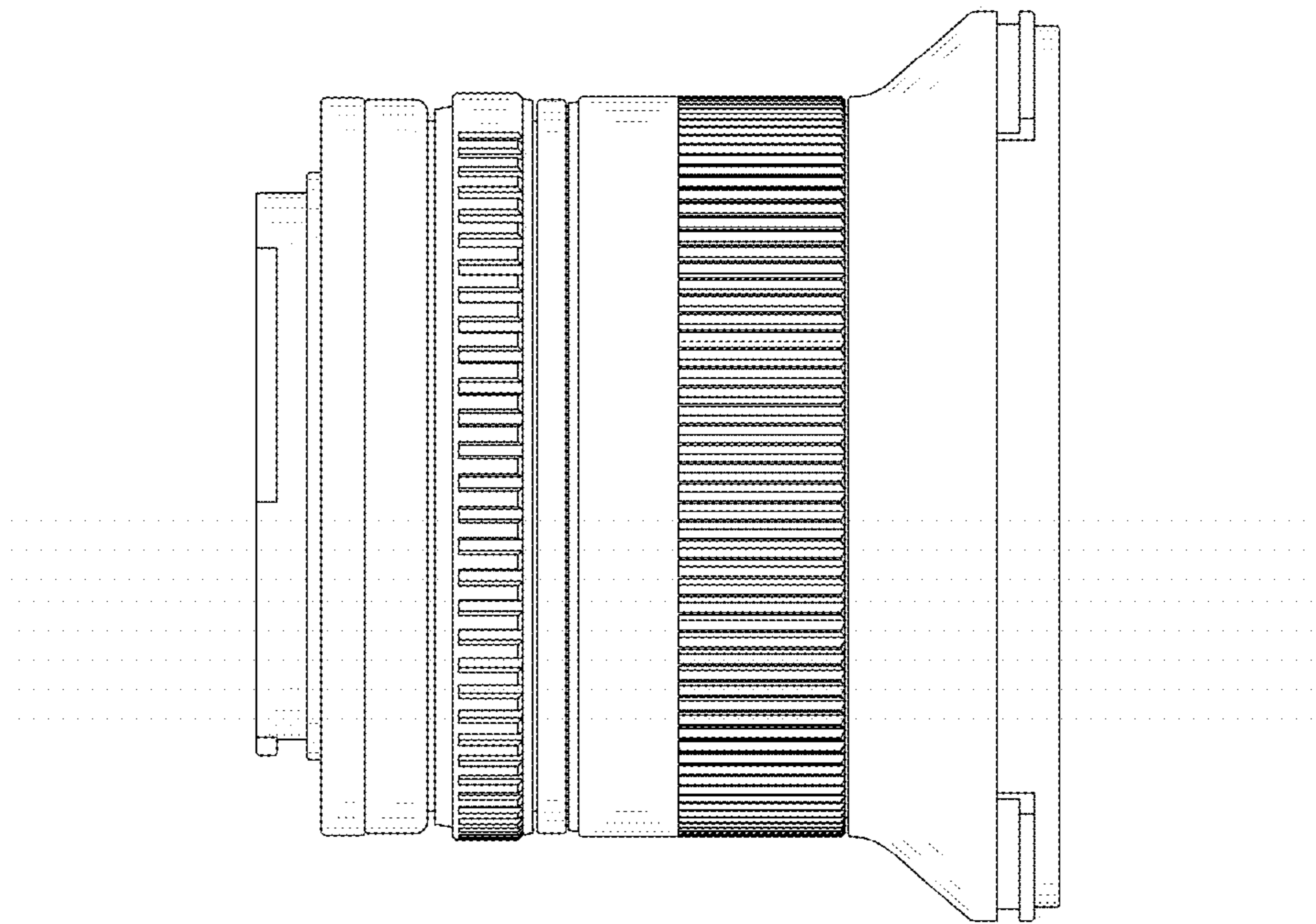


FIG. 6

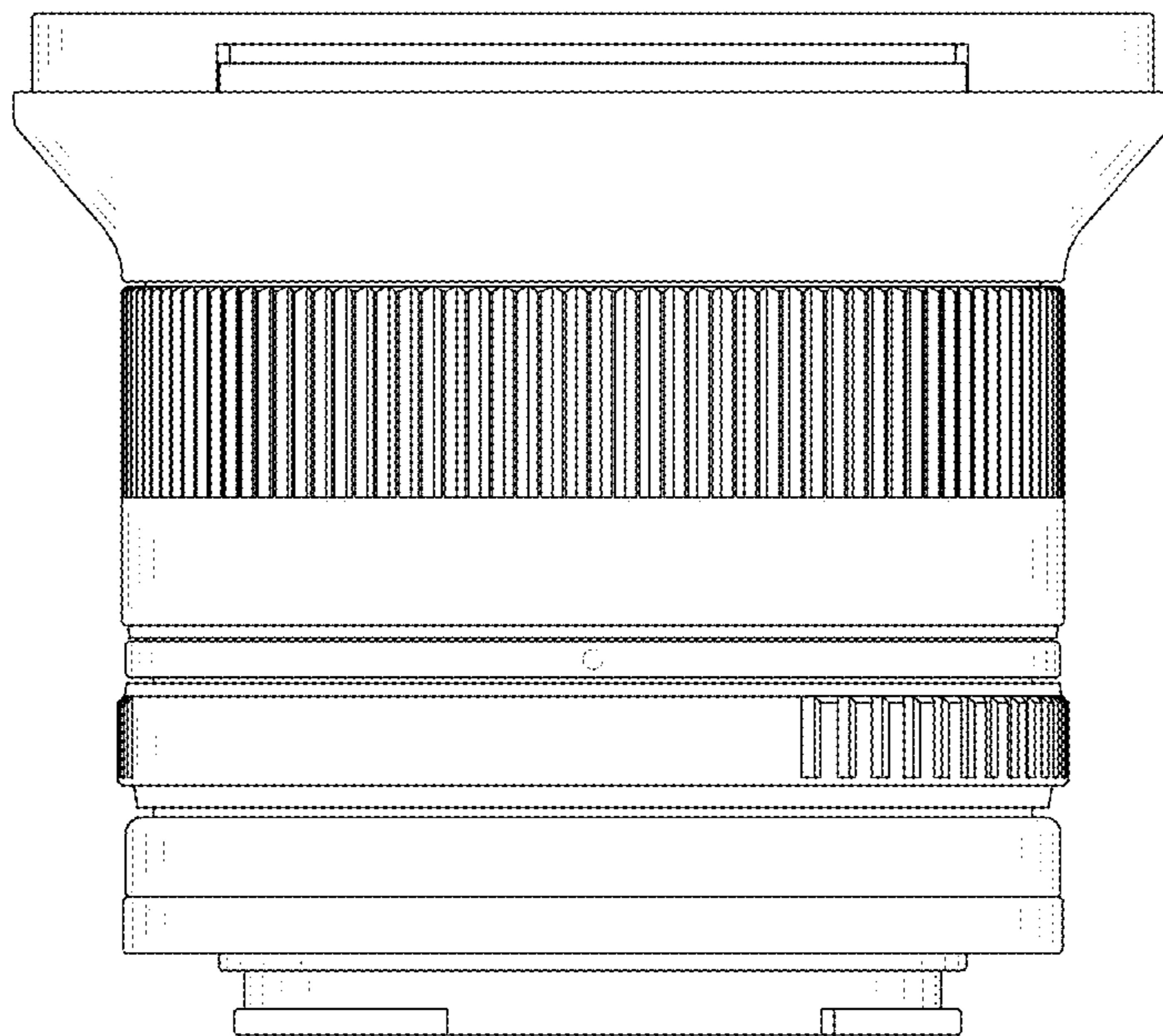


FIG. 7

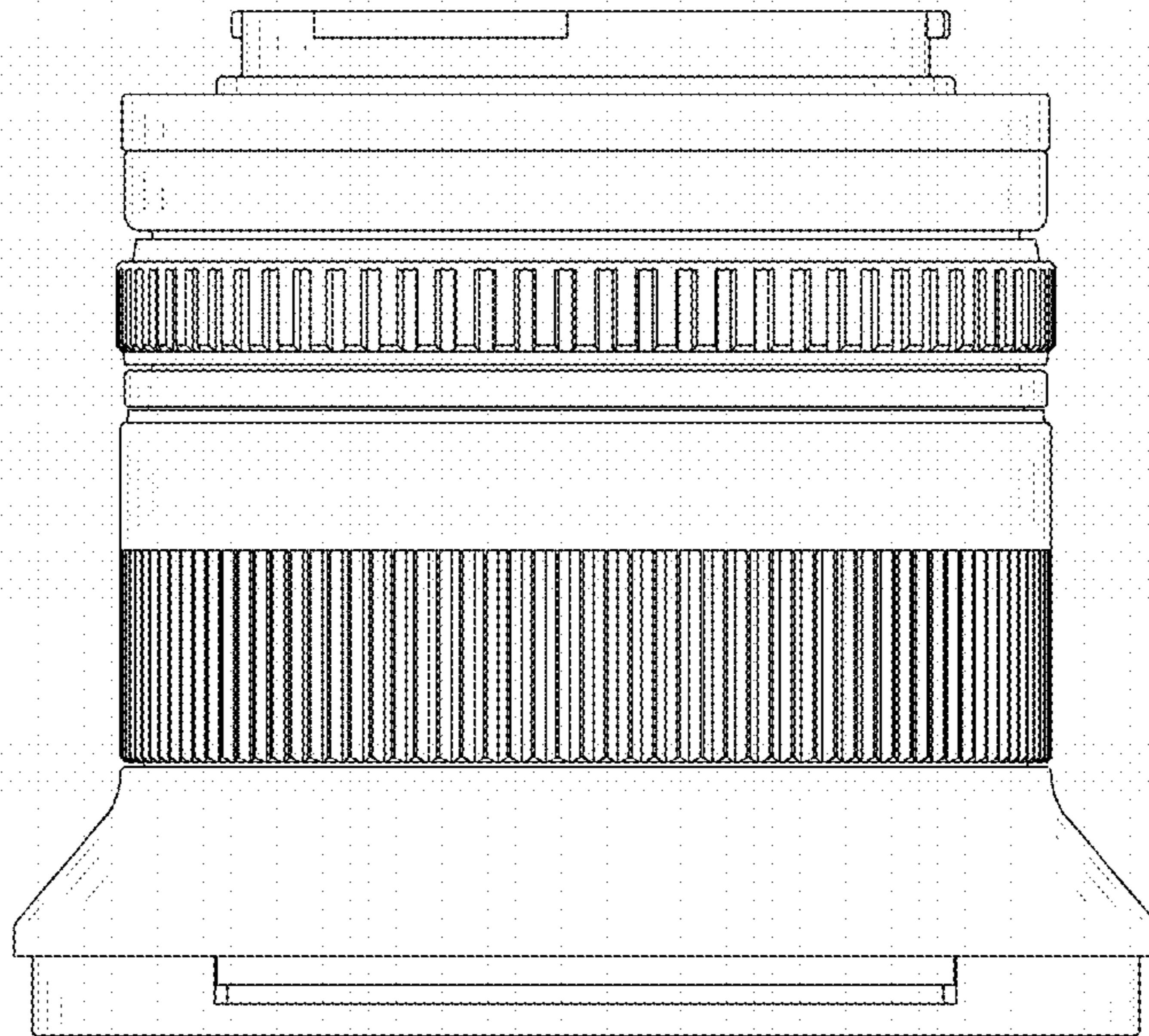




FIG. 8

