



US00D741936S

(12) **United States Design Patent**
Chu et al.

(10) **Patent No.:** **US D741,936 S**
(45) **Date of Patent:** **** Oct. 27, 2015**

(54) **LENS FOR CAMERA**

(71) Applicant: **SAMYANG OPTICS CO., LTD,**
Changwon-si (KR)

(72) Inventors: **Byoung-Uck Chu,** Changwon-si (KR);
Eun-Jin Kim, Changwon-si (KR)

(73) Assignee: **SAMYANG OPTICS CO., LTD (KR)**

(**) Term: **14 Years**

(21) Appl. No.: **29/496,072**

(22) Filed: **Jul. 9, 2014**

(30) **Foreign Application Priority Data**

May 12, 2014 (KR) 30-2014-0023406

(51) **LOC (10) Cl.** **16-05**

(52) **U.S. Cl.**
USPC **D16/219**

(58) **Field of Classification Search**

USPC D16/134, 136, 200, 202–205, 218, 219,
D16/235, 242; 348/373–376; 359/826–828;
396/529–532, 535, 539–541
CPC G03B 17/02; G03B 19/04; G03B 17/56;
G03B 17/04; G03B 15/03; G03B 17/14;
H04N 5/2251; H04N 5/2252; H04N 5/2253;
H04N 5/2254; G02B 7/02; G02B 7/04;
G02B 7/14

See application file for complete search history.

(56) **References Cited**

U.S. PATENT DOCUMENTS

D433,044	S	*	10/2000	Nagaoka et al.	D16/134
D548,260	S	*	8/2007	Nakamura	D16/219
D548,261	S	*	8/2007	Nakamura	D16/219
D548,262	S	*	8/2007	Nakamura	D16/219
7,625,144	B2	*	12/2009	Kranz et al.	396/529
D696,709	S	*	12/2013	Sato	D16/219
D697,542	S	*	1/2014	Kim	D16/219
D697,543	S	*	1/2014	Kim	D16/219
D702,749	S	*	4/2014	Kim	D16/219
D702,751	S	*	4/2014	Yoon	D16/219
D704,759	S	*	5/2014	Park et al.	D16/219
D704,760	S	*	5/2014	Jung et al.	D16/219
D718,362	S	*	11/2014	Noh	D16/219

* cited by examiner

Primary Examiner — Adir Aronovich

Assistant Examiner — Ramzi Almatrahi

(74) *Attorney, Agent, or Firm* — Cantor Colburn LLP

(57) **CLAIM**

The ornamental design for a lens for camera, as shown and described.

DESCRIPTION

FIG. 1 is a front and left side perspective view of a lens for camera showing our new design;
FIG. 2 is a front elevational view thereof;
FIG. 3 is a rear elevational view thereof;
FIG. 4 is a left side elevational view thereof;
FIG. 5 is a right side elevational view thereof;
FIG. 6 is a top plan view thereof;
FIG. 7 is a bottom plan view thereof; and,
FIG. 8 is a rear and left side perspective view thereof.
The broken lines are included for illustrative purposes and form no part of the claimed design.

1 Claim, 8 Drawing Sheets

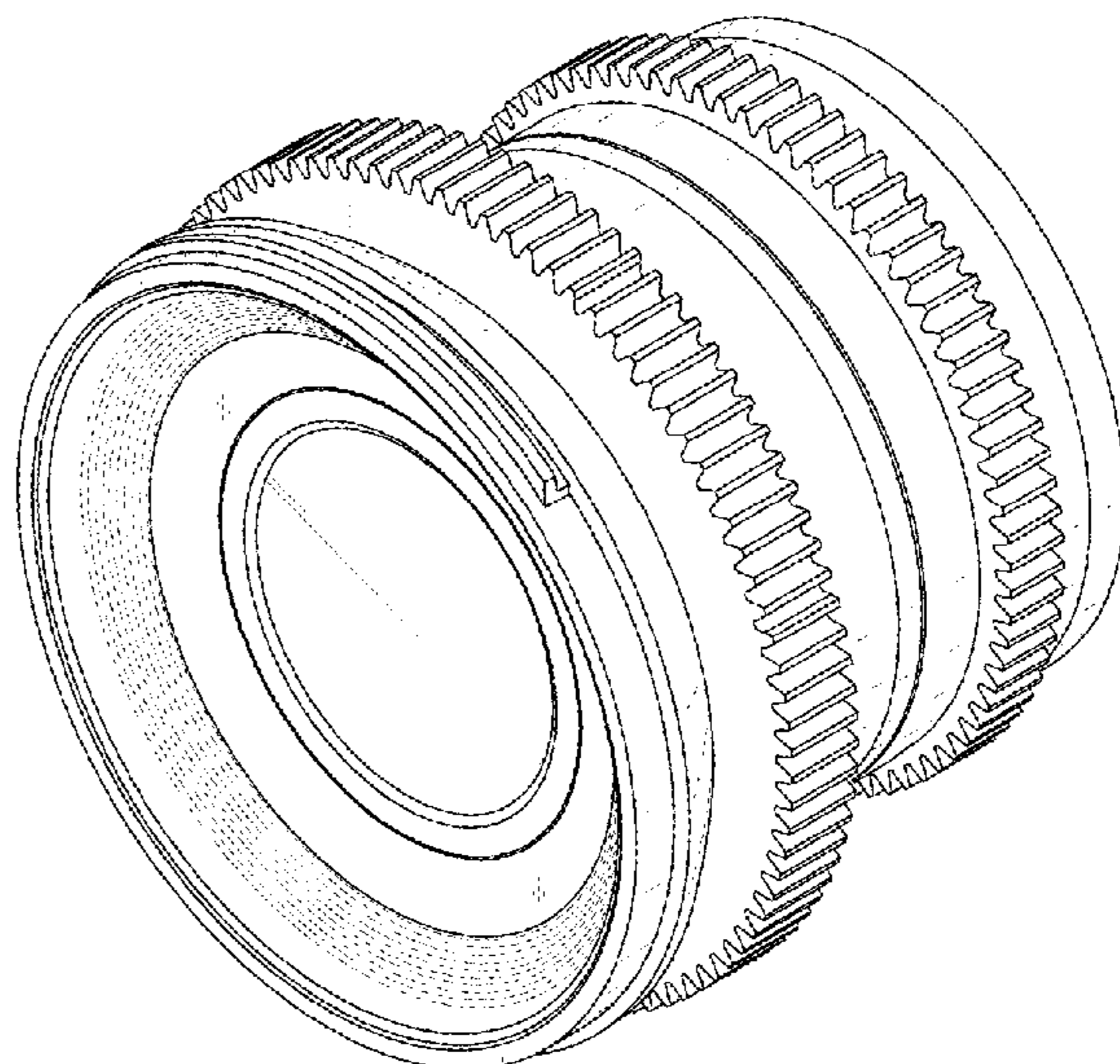
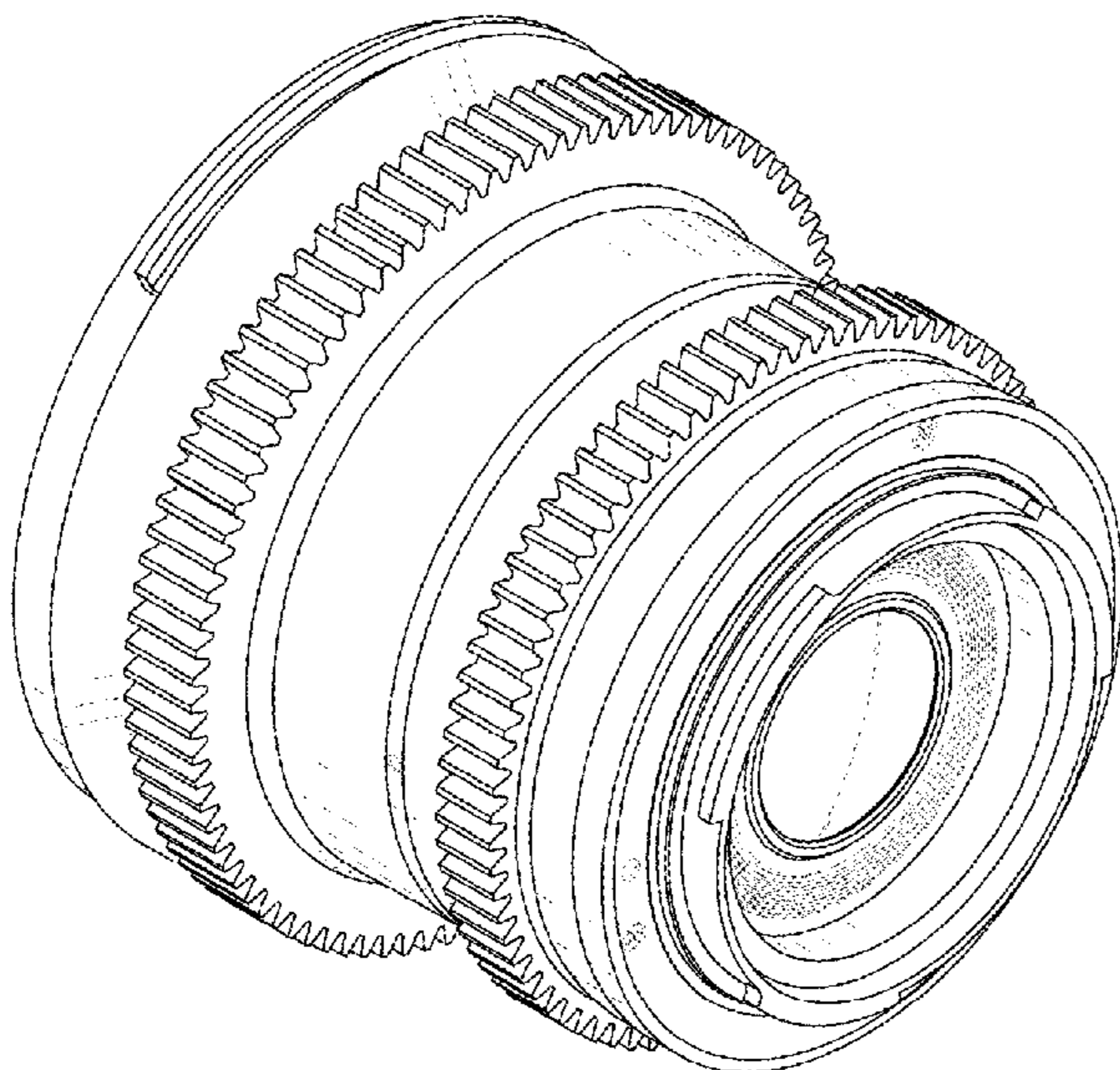


FIG. 1

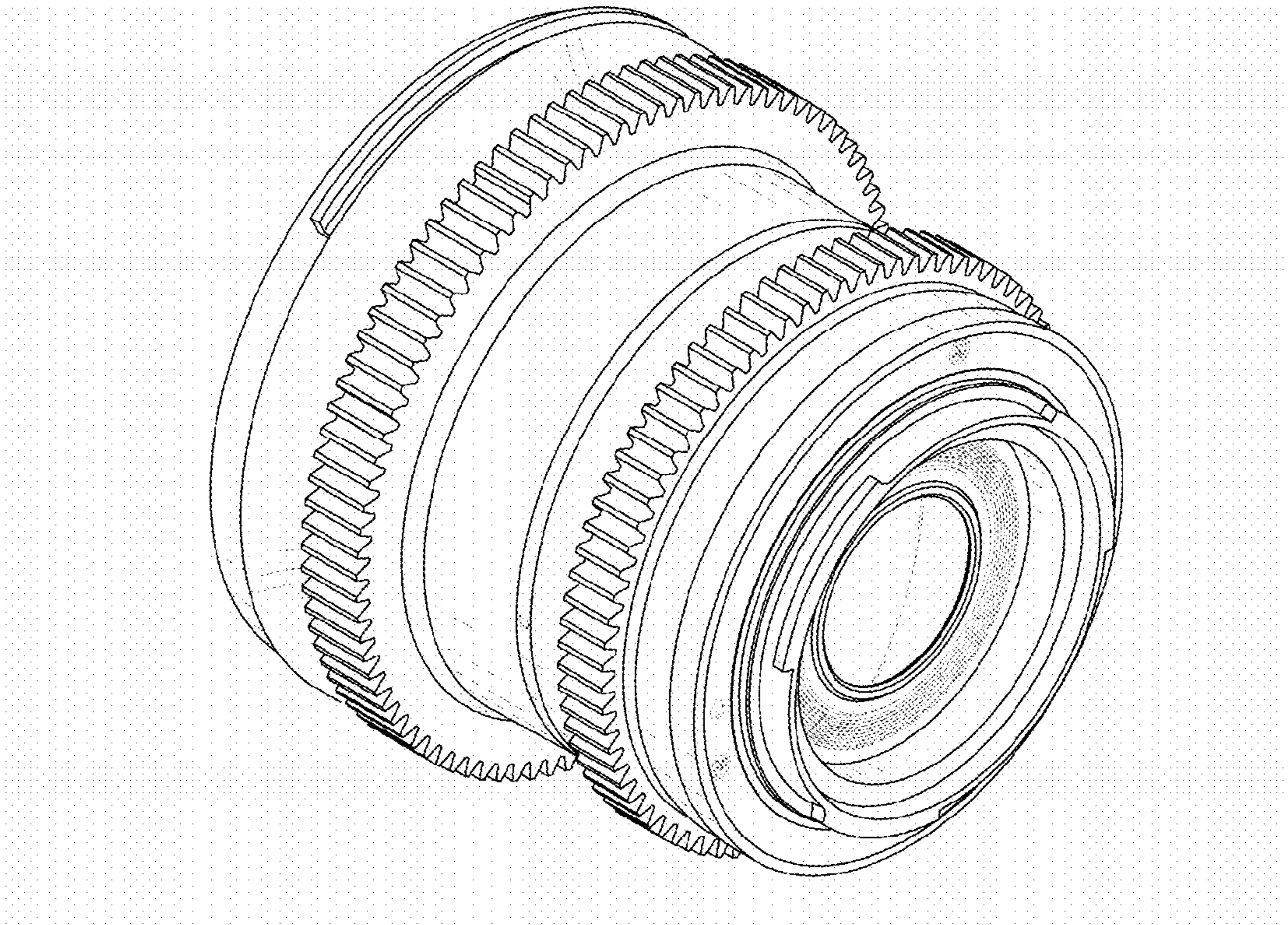


FIG. 2

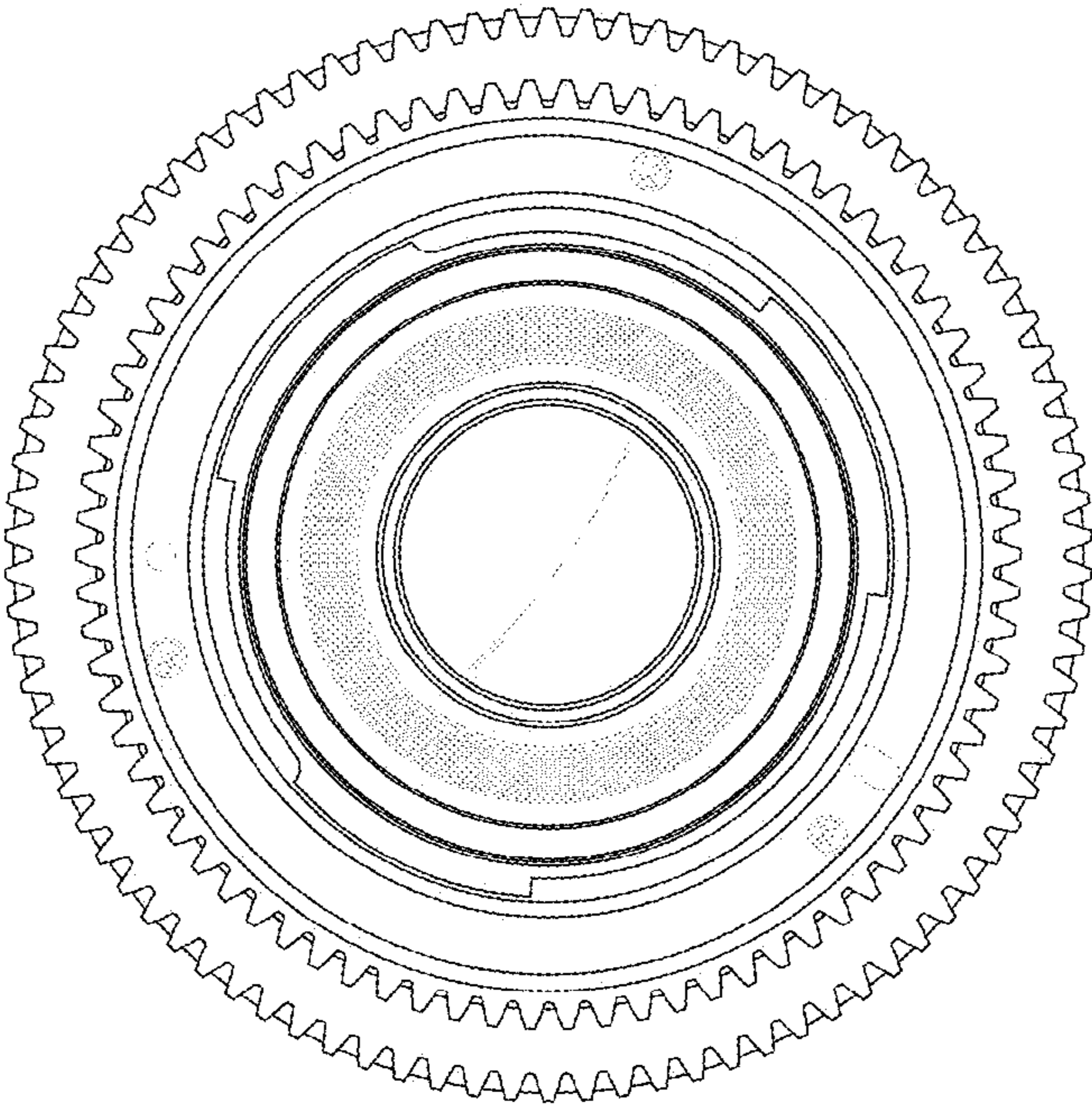


FIG. 3

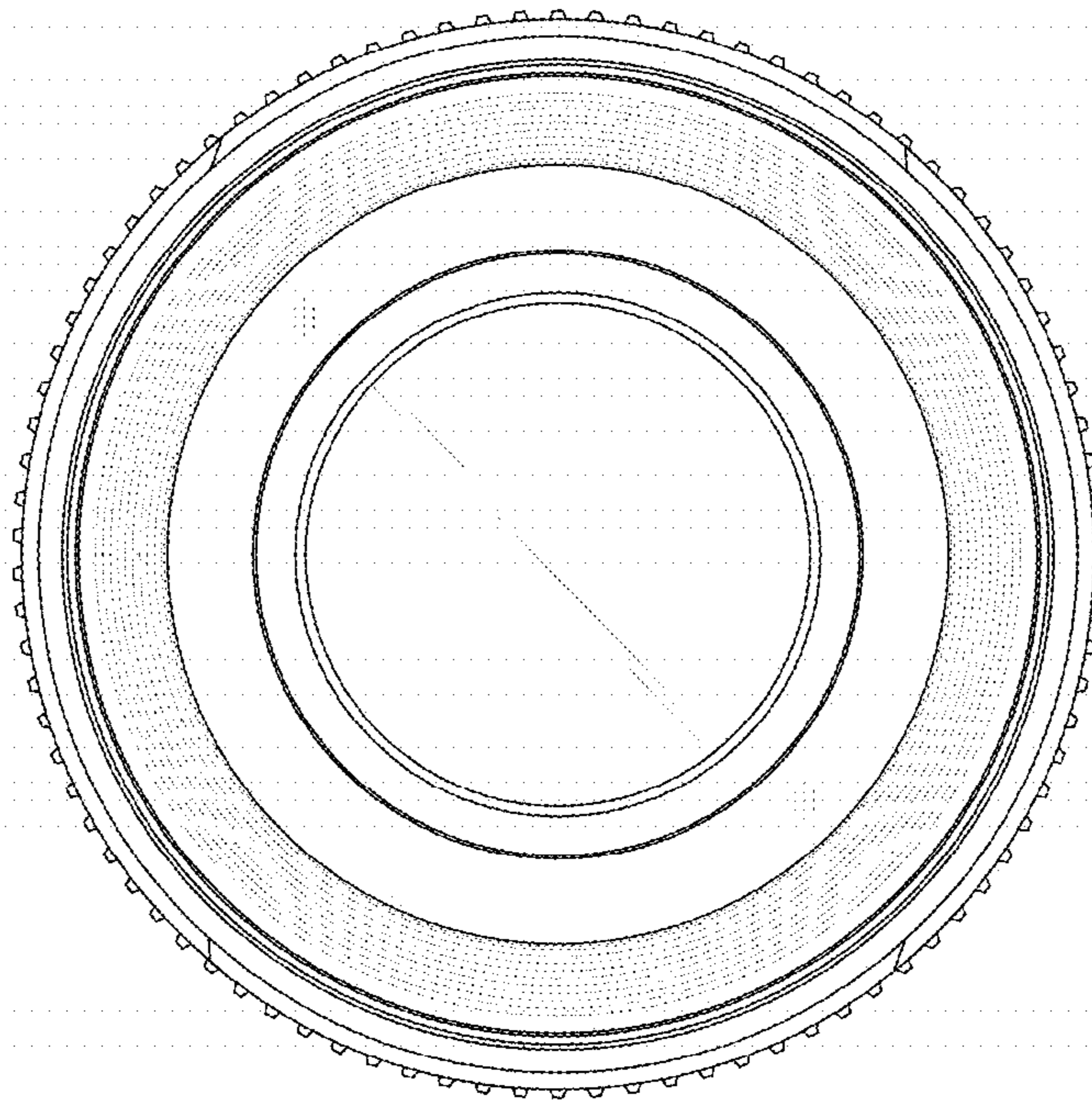


FIG. 4

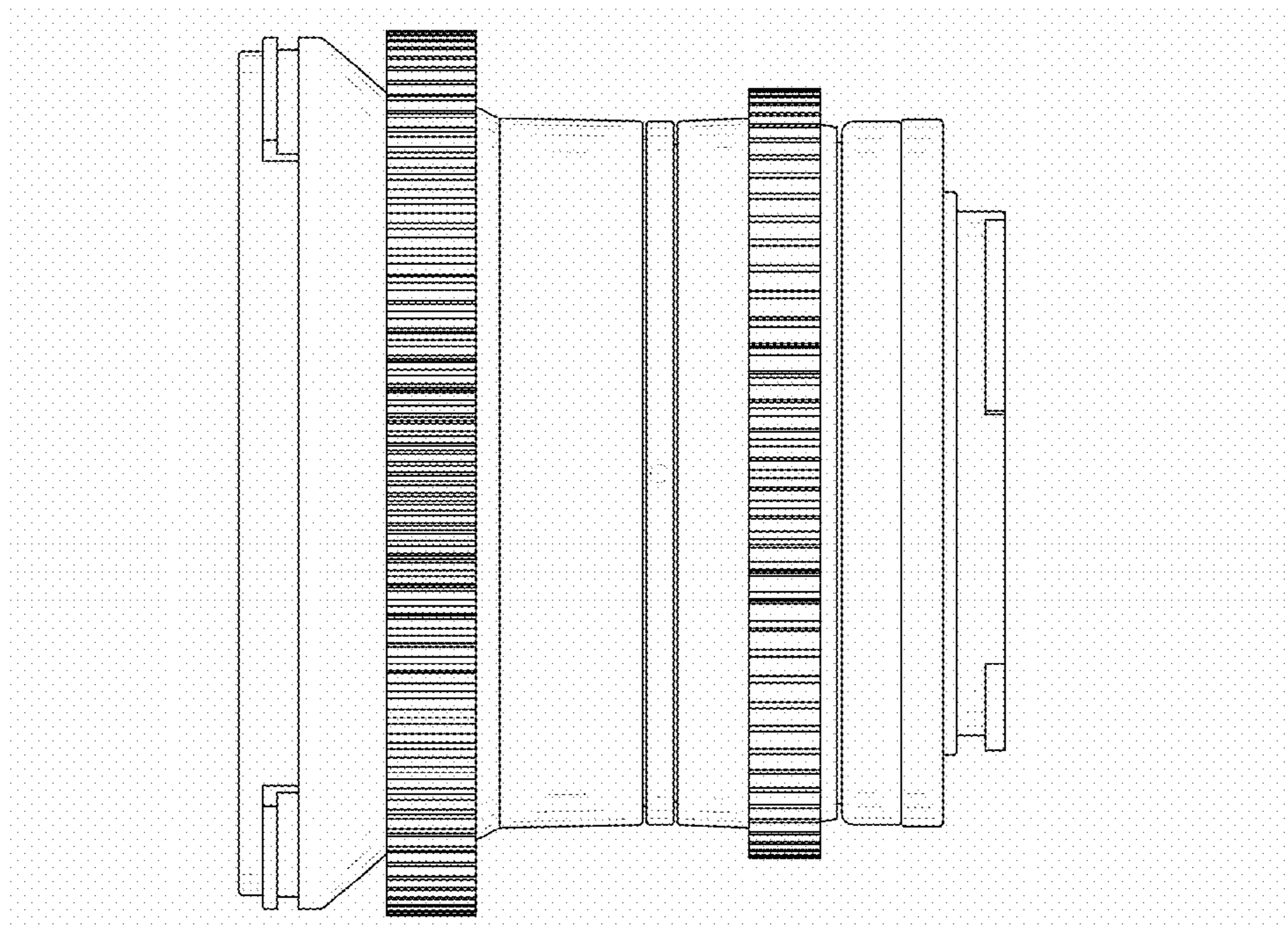


FIG 5

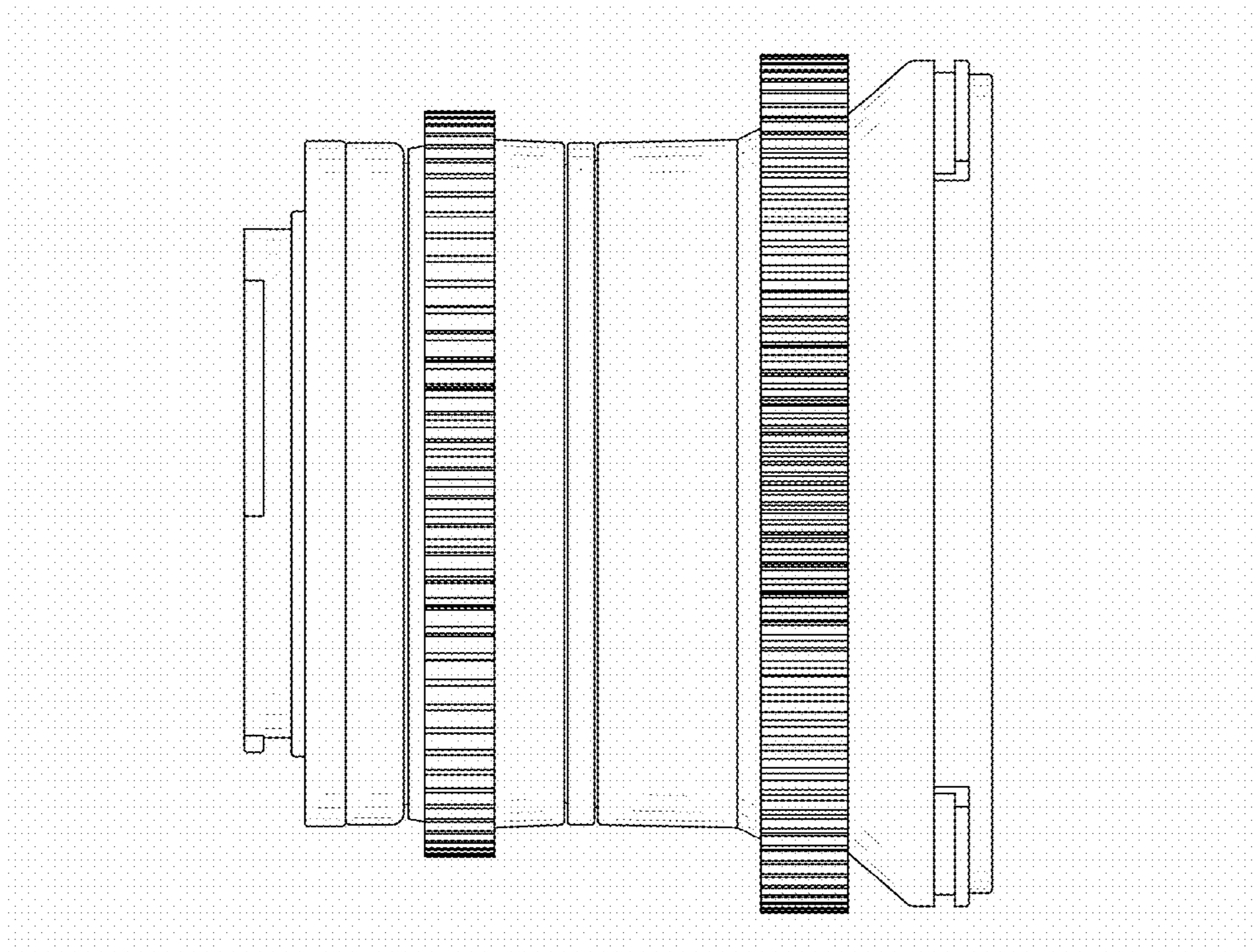


FIG. 6

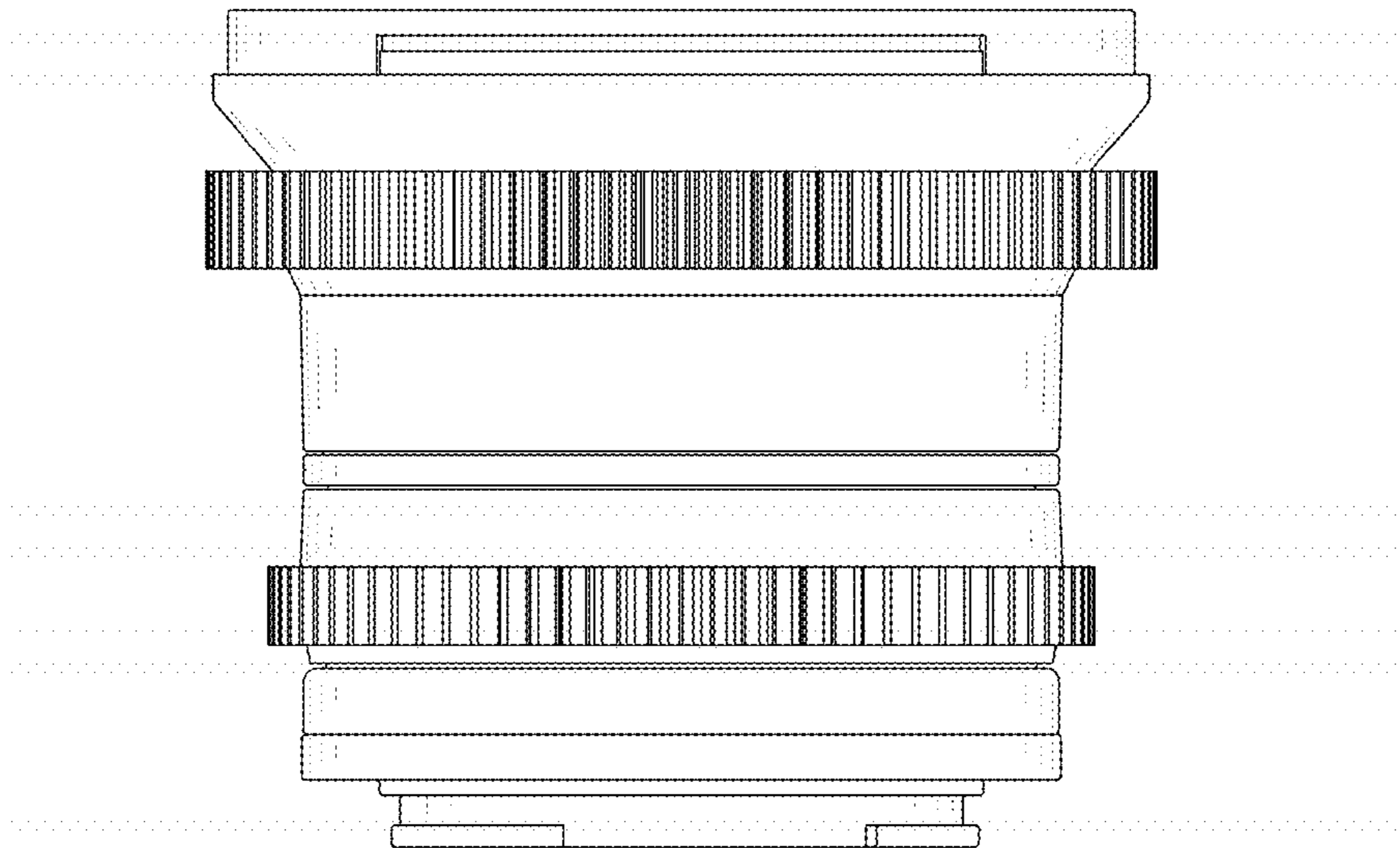


FIG. 8

