



US00D741935S

(12) **United States Design Patent**
Sundheim et al.

(10) **Patent No.:** **US D741,935 S**

(45) **Date of Patent:** **** Oct. 27, 2015**

(54) **LIGHTED DENTAL CAMERA**

(71) Applicant: **Gregory S. Sundheim**, Englewood, CO (US)

(72) Inventors: **Gregory S. Sundheim**, Englewood, CO (US); **Robert M. Morris**, Englewood, CO (US)

(73) Assignee: **Gregory S. Sundheim**, Englewood, CO (US)

(**) Term: **14 Years**

(21) Appl. No.: **29/481,884**

(22) Filed: **Feb. 11, 2014**

(51) **LOC (10) Cl.** **16-01**

(52) **U.S. Cl.**
USPC **D16/208**; D24/152

(58) **Field of Classification Search**
USPC D16/200, 202–206, 208, 218, 219;
D24/137, 138, 141, 144, 152, 156, 176,
D24/180; 348/66, 373–376; 433/29, 37, 73,
433/116; 600/109, 167; 396/322, 540
CPC G03B 17/02; G03B 19/04; G03B 17/56;
G03B 17/04; G03B 15/03
See application file for complete search history.

(56) **References Cited**

U.S. PATENT DOCUMENTS

5,523,782 A * 6/1996 Williams 348/66
5,771,067 A * 6/1998 Williams et al. 348/66
D414,867 S * 10/1999 Moriwaki et al. D24/152
6,181,369 B1 * 1/2001 Ooshima et al. 348/66

D468,429 S * 1/2003 Bareth et al. D24/152
D493,530 S * 7/2004 Reschke D24/144
6,908,307 B2 * 6/2005 Schick 433/29
6,958,766 B2 * 10/2005 Cooper 348/66
D613,865 S * 4/2010 De Charentenay D24/152
D630,747 S * 1/2011 Shinohara et al. D24/152
D648,026 S * 11/2011 Okawa et al. D24/152
8,063,932 B2 * 11/2011 Boyer et al. 348/66
D690,346 S * 9/2013 Woolley D16/204
D711,951 S * 8/2014 Mazuir D16/218
2005/0003323 A1 * 1/2005 Katsuda et al. 433/29

* cited by examiner

Primary Examiner — Adir Aronovich

Assistant Examiner — Ramzi Almatrahi

(74) *Attorney, Agent, or Firm* — W. Scott Carson

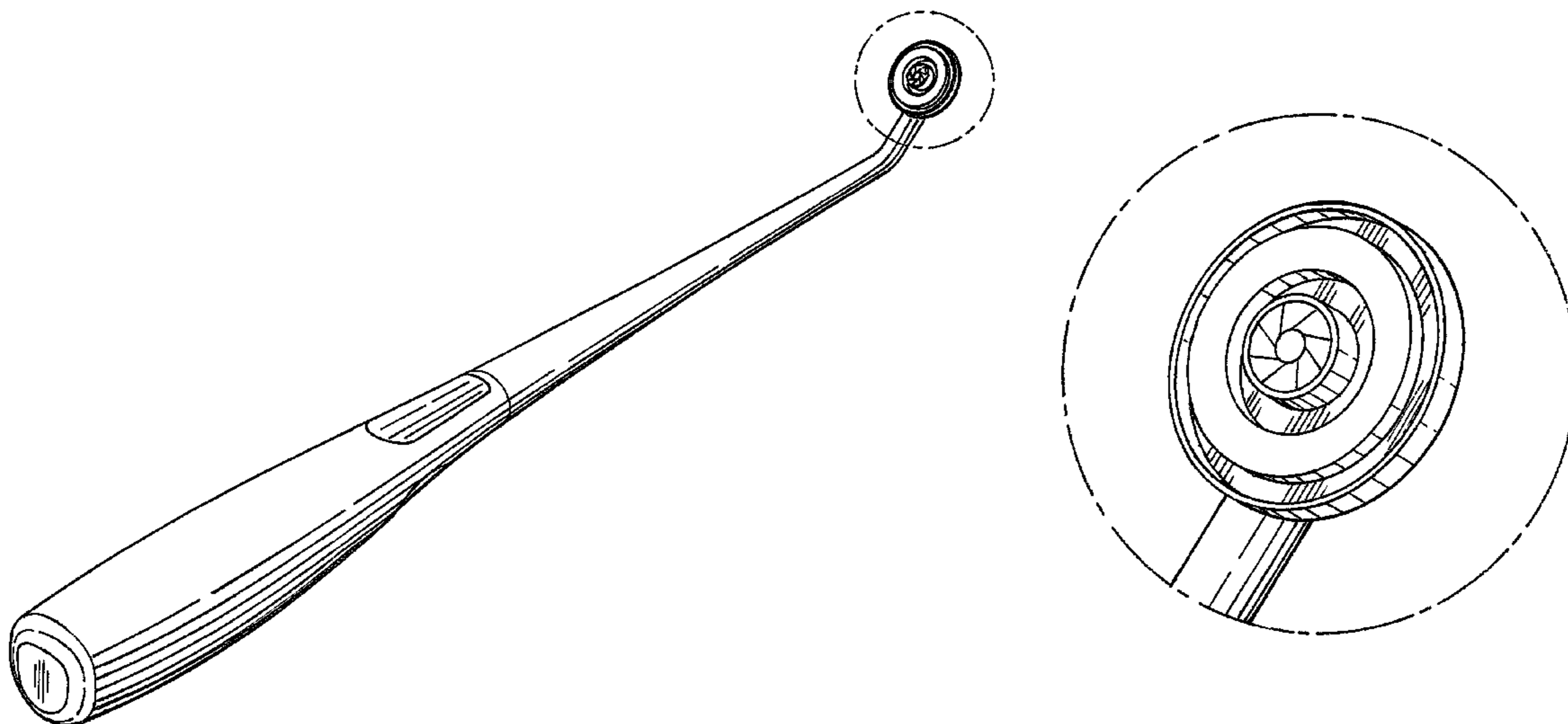
(57) **CLAIM**

The ornamental design for a lighted dental camera, as shown and described.

DESCRIPTION

FIG. 1 is a perspective view of a lighted dental camera showing our new design;
FIG. 2 is a front elevational view thereof;
FIG. 3 is a right side elevational view thereof, the left side elevational view being a mirror image thereof;
FIG. 4 is a rear elevational view thereof;
FIG. 5 is an enlarged top plan view thereof;
FIG. 6 is an enlarged bottom plan view thereof;
FIG. 7 is an enlarged view of the encircled portion in FIG. 1; and,
FIG. 8 is an enlarged view of the encircled portion in FIG. 2.
The broken lines encircling enlargement portions of the design form no part of the claimed design.

1 Claim, 4 Drawing Sheets



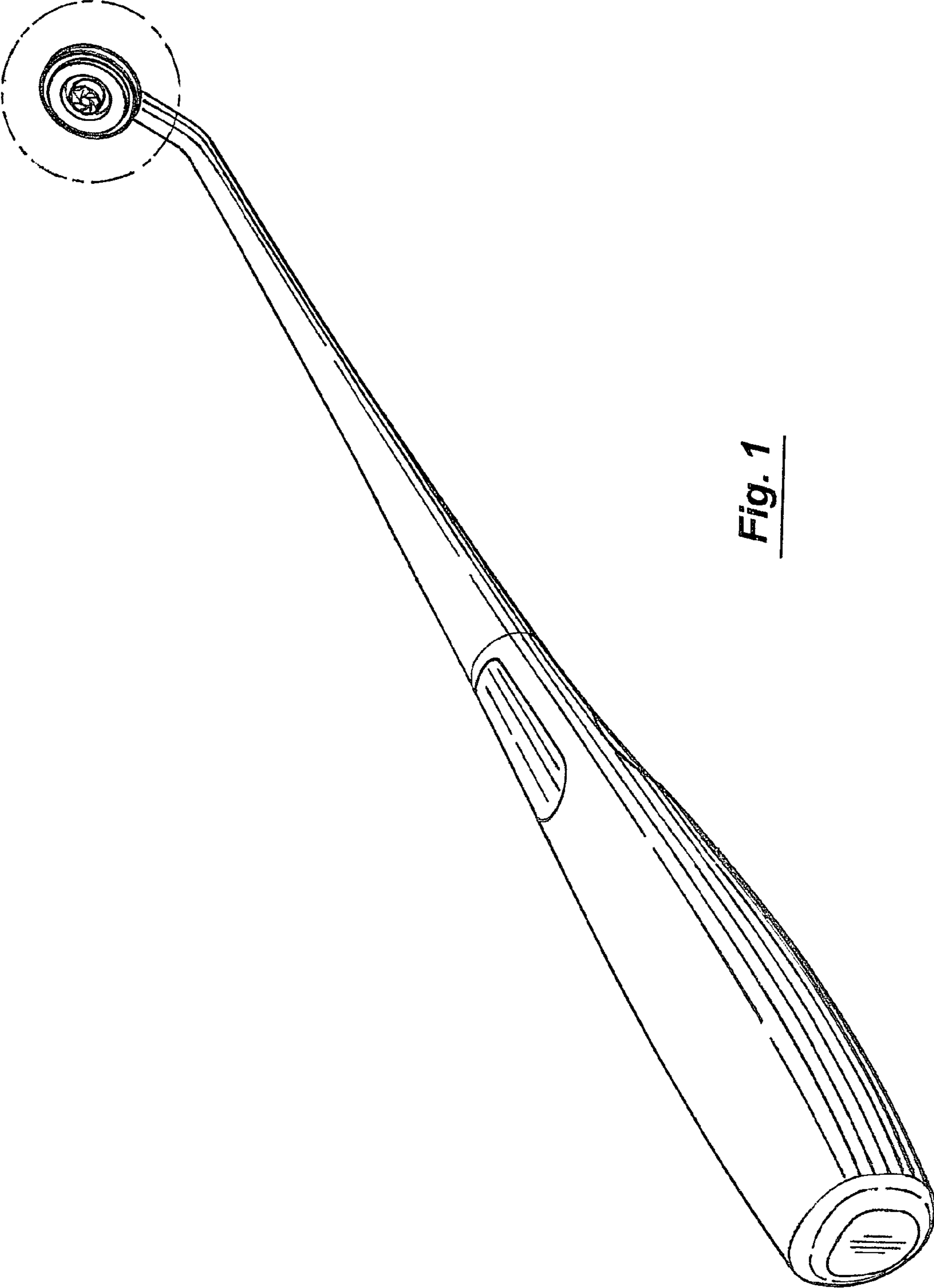


Fig. 1

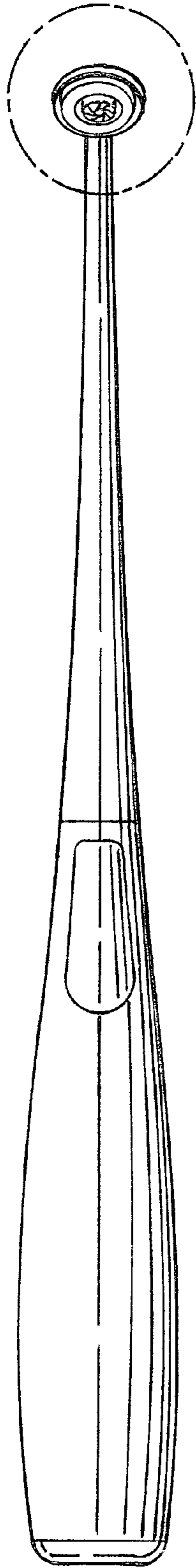


Fig. 2

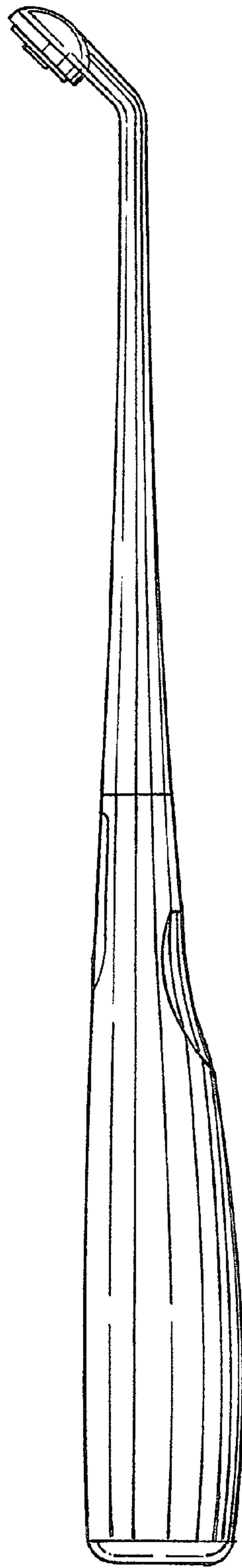


Fig. 3

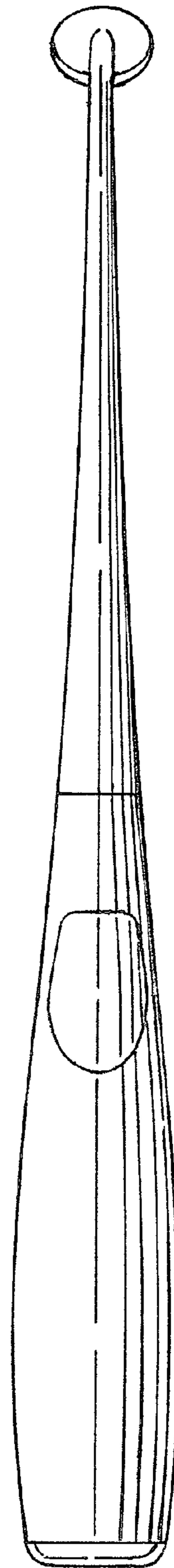


Fig. 4

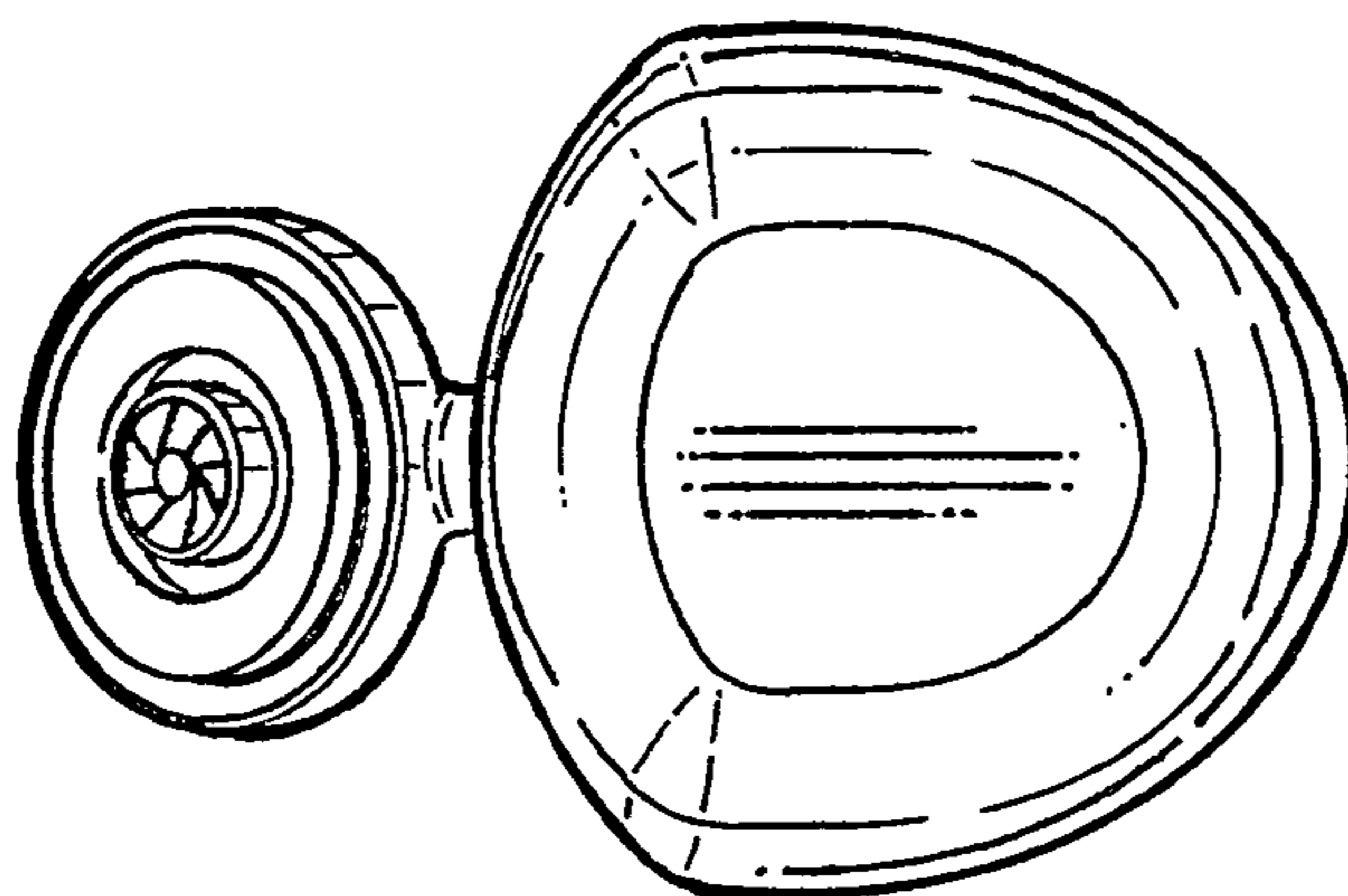


Fig. 6

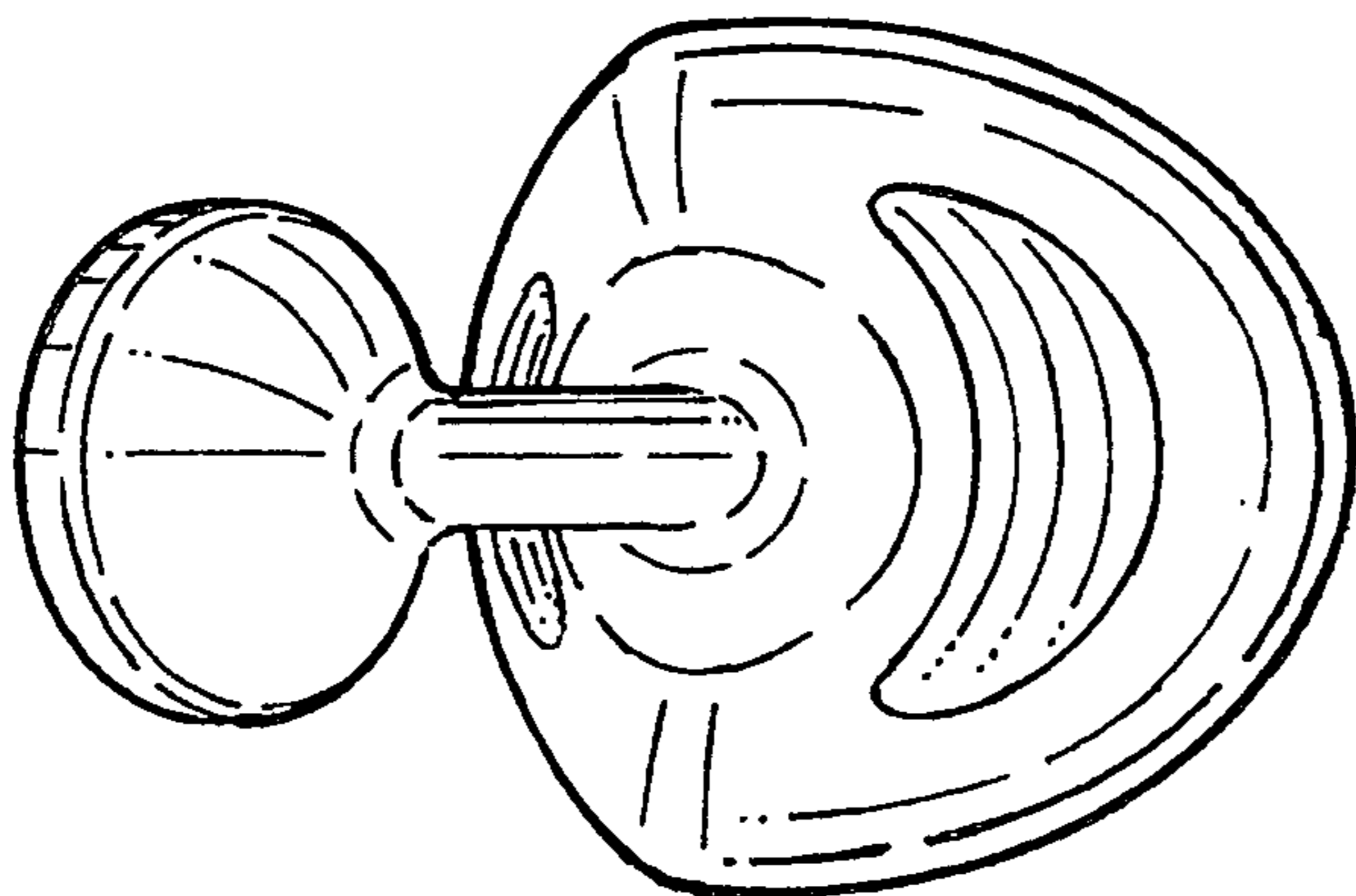


Fig. 5

Fig. 7

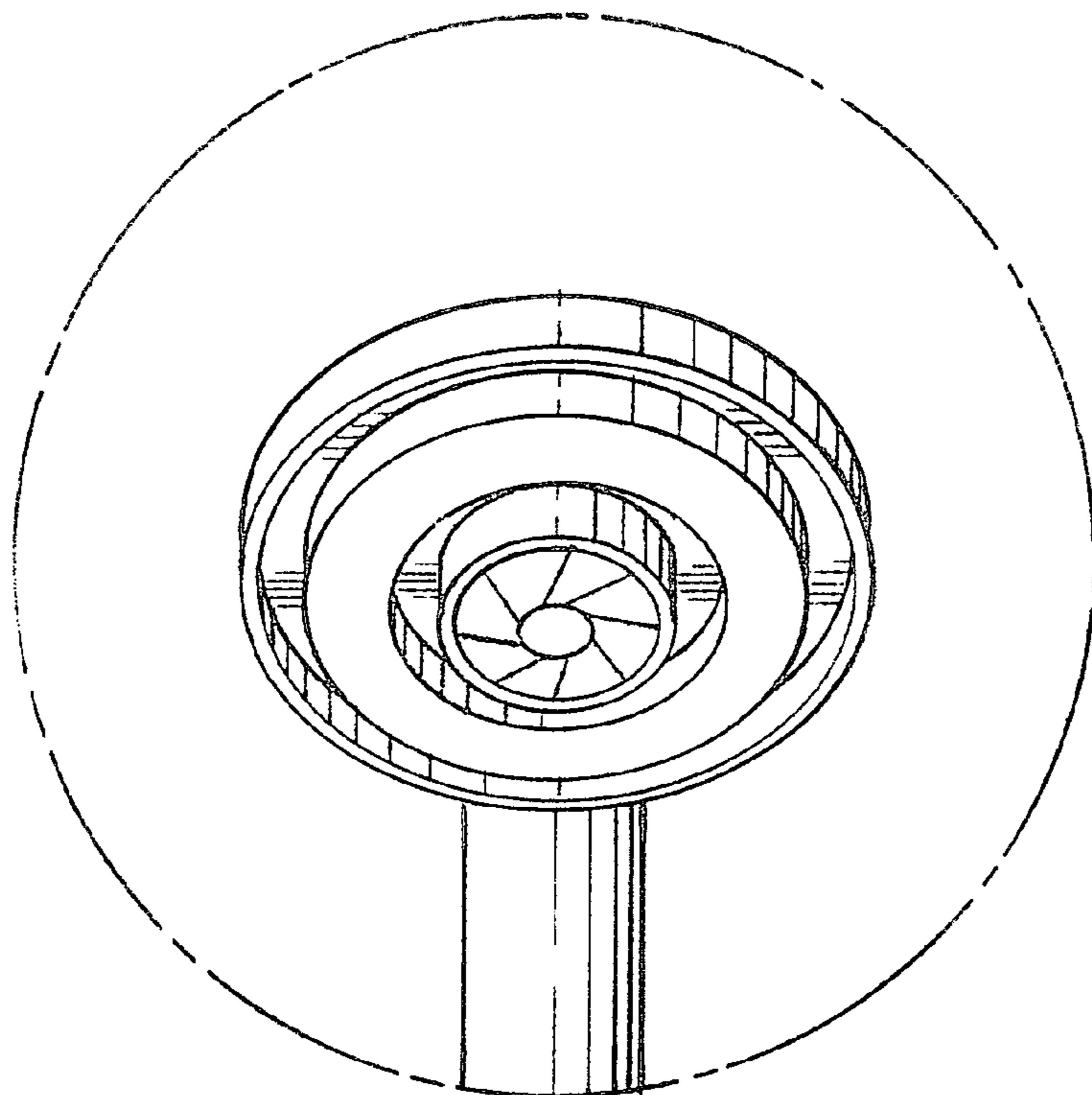
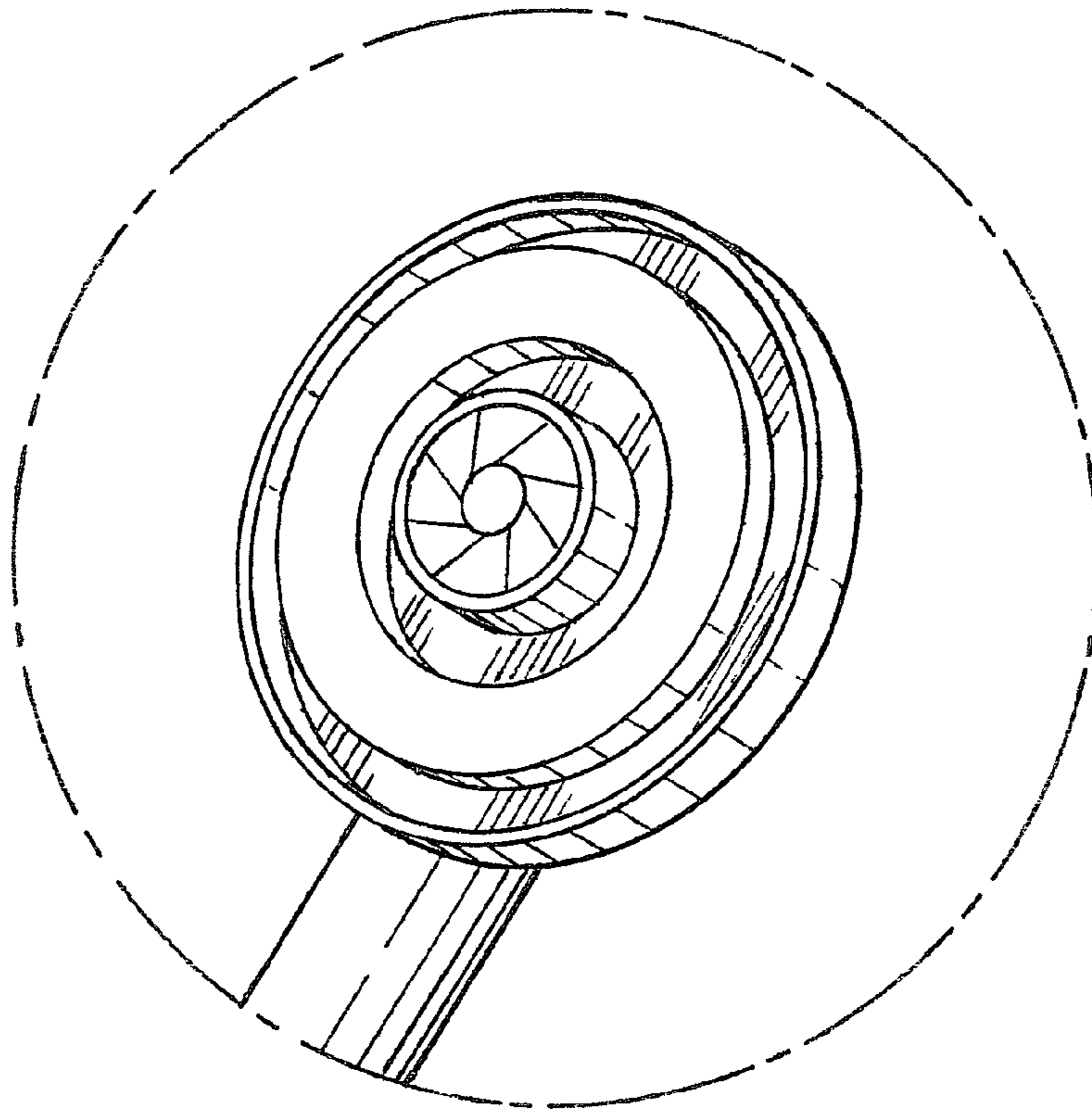


Fig. 8