



US00D741934S

(12) **United States Design Patent**  
**Stark**

(10) **Patent No.:** **US D741,934 S**  
(45) **Date of Patent:** **\*\* Oct. 27, 2015**

(54) **GIMBAL SHROUD**

(71) Applicant: **Avigilon Corporation**, Vancouver (CA)

(72) Inventor: **Andrew J. Stark**, Vancouver (CA)

(73) Assignee: **AVIGILON CORPORATION**,  
Vancouver (CA)

(\*\*) Term: **14 Years**

(21) Appl. No.: **29/496,404**

(22) Filed: **Jul. 11, 2014**

(51) **LOC (10) Cl.** ..... **16-01**

(52) **U.S. Cl.**  
USPC ..... **D16/203**

(58) **Field of Classification Search**  
USPC ..... D16/200–205, 208, 219, 237; 348/143,  
348/159, 373–376; 396/26–28, 419, 427,  
396/439, 535–543

See application file for complete search history.

(56) **References Cited**

**U.S. PATENT DOCUMENTS**

D399,517 S *	10/1998	Hasegawa	.....	D16/203
5,818,519 A	10/1998	Wren		
6,234,691 B1	5/2001	Jones et al.		
6,476,856 B1	11/2002	Zantos		
D473,888 S *	4/2003	Jones et al.	.....	D16/203
6,678,001 B1	1/2004	Elberbaum		
6,742,942 B2	6/2004	Hering et al.		
6,896,423 B2	5/2005	Arbuckle et al.		
6,992,723 B1	1/2006	Wulf et al.		
D547,347 S *	7/2007	Kim	.....	D16/203
D552,148 S *	10/2007	Yamakawa et al.	.....	D16/219

(Continued)

**FOREIGN PATENT DOCUMENTS**

EP	1096452 B1	5/2001
EP	2077538 A1	7/2009

**OTHER PUBLICATIONS**

<https://hdsecuritycamera.wordpress.com/tag/surveillance-camera/>  
Posted Dec. 11, 2012.\*

(Continued)

*Primary Examiner* — Susan Bennett Hattan

*Assistant Examiner* — Leanne Was

(74) *Attorney, Agent, or Firm* — Baker & Hostetler LLP

(57) **CLAIM**

I claim the ornamental design for a gimbal shroud for a security camera, as shown and described.

**DESCRIPTION**

FIG. 1 is a perspective view of a gimbal shroud, wherein the broken lines illustrate environment structure that is not part of the design;

FIG. 2 is a rear elevation view of the gimbal shroud of FIG. 1, wherein the broken lines illustrate environment structure that is not part of the design;

FIG. 3 is a bottom plan view of the gimbal shroud of FIG. 1, wherein the broken lines illustrate environment structure that is not part of the design;

FIG. 4 is a left side elevation view of the gimbal shroud of FIG. 1;

FIG. 5 is a right side elevation view of the gimbal shroud of FIG. 1, wherein the broken lines illustrate environment structure that is not part of the design;

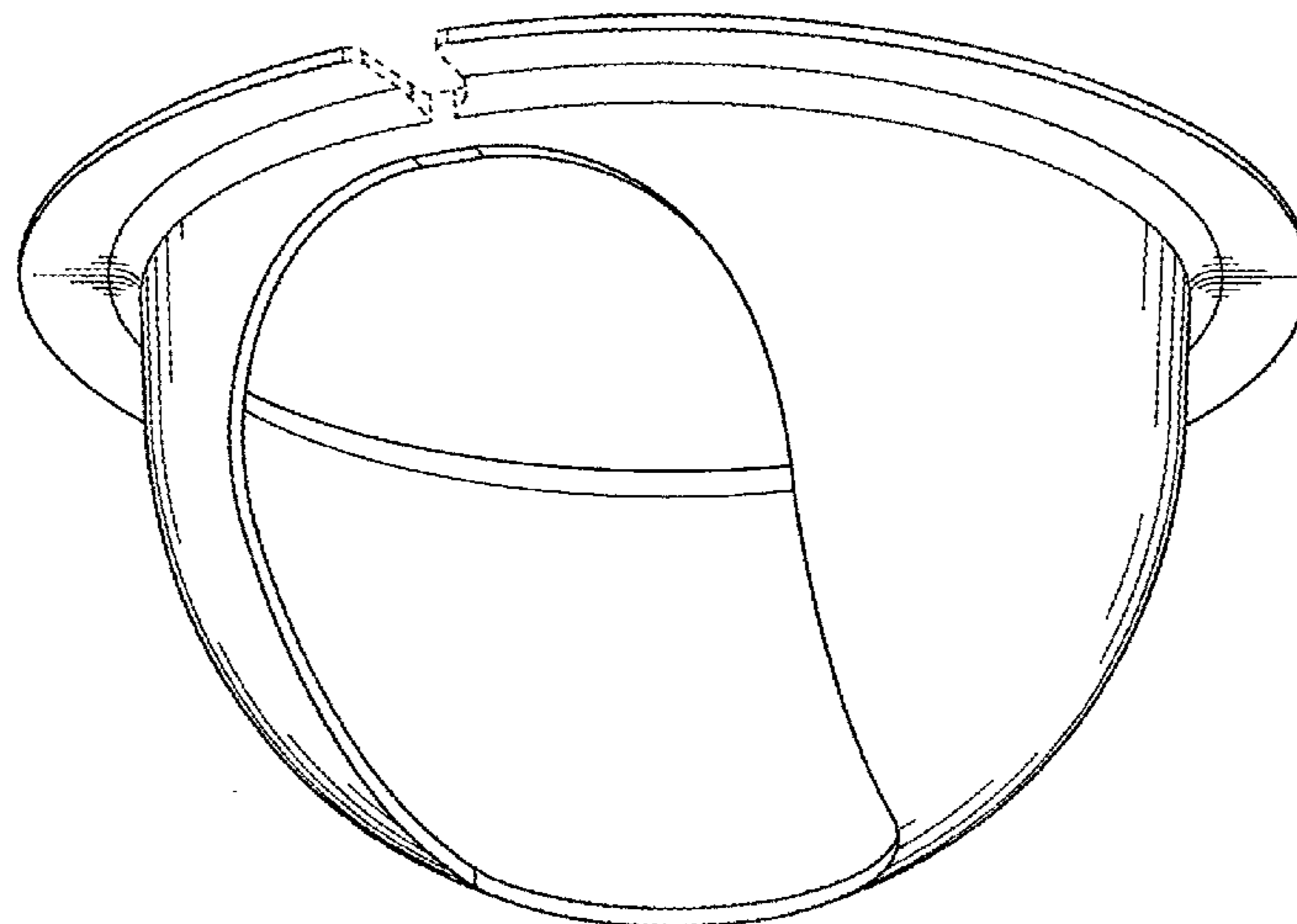
FIG. 6 is a top plan view of the gimbal shroud of FIG. 1, wherein the broken lines illustrate environment structure that is not part of the design;

FIG. 7 is a front elevation view of the gimbal shroud of FIG. 1; and,

FIG. 8 is a perspective view of the gimbal shroud of FIG. 1, wherein the broken lines illustrate environment structure, associated with a gimbal surrounded in part by the gimbal shroud and a trim ring and dome that surround the gimbal shroud, that is not part of the design.

The design is the visual features of a gimbal shroud shown in solid lines in the drawings.

**1 Claim, 5 Drawing Sheets**



(56)

References Cited

U.S. PATENT DOCUMENTS

D568,361	S *	5/2008	Arnold et al. ....	D16/203
7,651,281	B2	1/2010	Wen	
D653,687	S *	2/2012	Yu .....	D16/200
8,148,635	B1	4/2012	Gretz	
D668,283	S *	10/2012	Ohno et al. ....	D16/203
D668,701	S *	10/2012	Ohno et al. ....	D16/219
D719,204	S *	12/2014	Nakanishi .....	D16/203
D722,635	S *	2/2015	Richardson et al. ....	D16/203
D725,172	S *	3/2015	Katori et al. ....	D16/203
2004/0057717	A1	3/2004	Arbuckle et al.	
2006/0023113	A1 *	2/2006	Lin .....	348/373
2010/0225802	A1 *	9/2010	Yamamoto .....	348/373
2011/0096164	A1 *	4/2011	Mori et al. ....	348/143
2013/0094848	A1 *	4/2013	Wada et al. ....	396/448
2014/0037283	A1	2/2014	Cury	
2014/0233935	A1 *	8/2014	Wada et al. ....	396/427
2014/0240494	A1 *	8/2014	Wada et al. ....	348/143
2014/0248045	A1 *	9/2014	Wada et al. ....	396/427
2014/0333774	A1 *	11/2014	Hsu .....	348/159

OTHER PUBLICATIONS

“Assembly Instruction”; Axis Communications; Axis M50 Series Dome Cover; Ver. 1.0; Part No. 46106; Apr. 2012; 9 pages.  
 “18x/28x/36x WDR PTZ Dome Camera”; Dahua Technology Co. Ltd.; DH-SD6563E/65E/66E-H Specifications; 2013; 5 pages.  
 “Avigilon High Definition IP Dome Camera Indoor In-Ceiling Mount.”; Avigilon; Installation Guide; Sep. 26, 2011; 31 pages.  
 “H34S-IC In-Ceiling Mount Quick Installation Guide”; Honeywell; 2014; 4 pages.  
 “HD3DS(X) HD3HRS(X) Indoor Minidome Camera Quick Installation Guide”; Honeywell; 2013; 2 pages.  
 “HD5 Fixed Dome Camera Quick Install Guide” Honeywell; 2009; 2 pages.  
 “Axis P5544 PTZ Dome Network Camera”; Axis Communications; Ver. 1.1; Part No. 47249; May 2012; 100 pages.  
 “IS20/IS21 Series Camclosure 2 Integrated Camera System”; Pelco by Schneider Electric; 2010; 28 pages.

\* cited by examiner

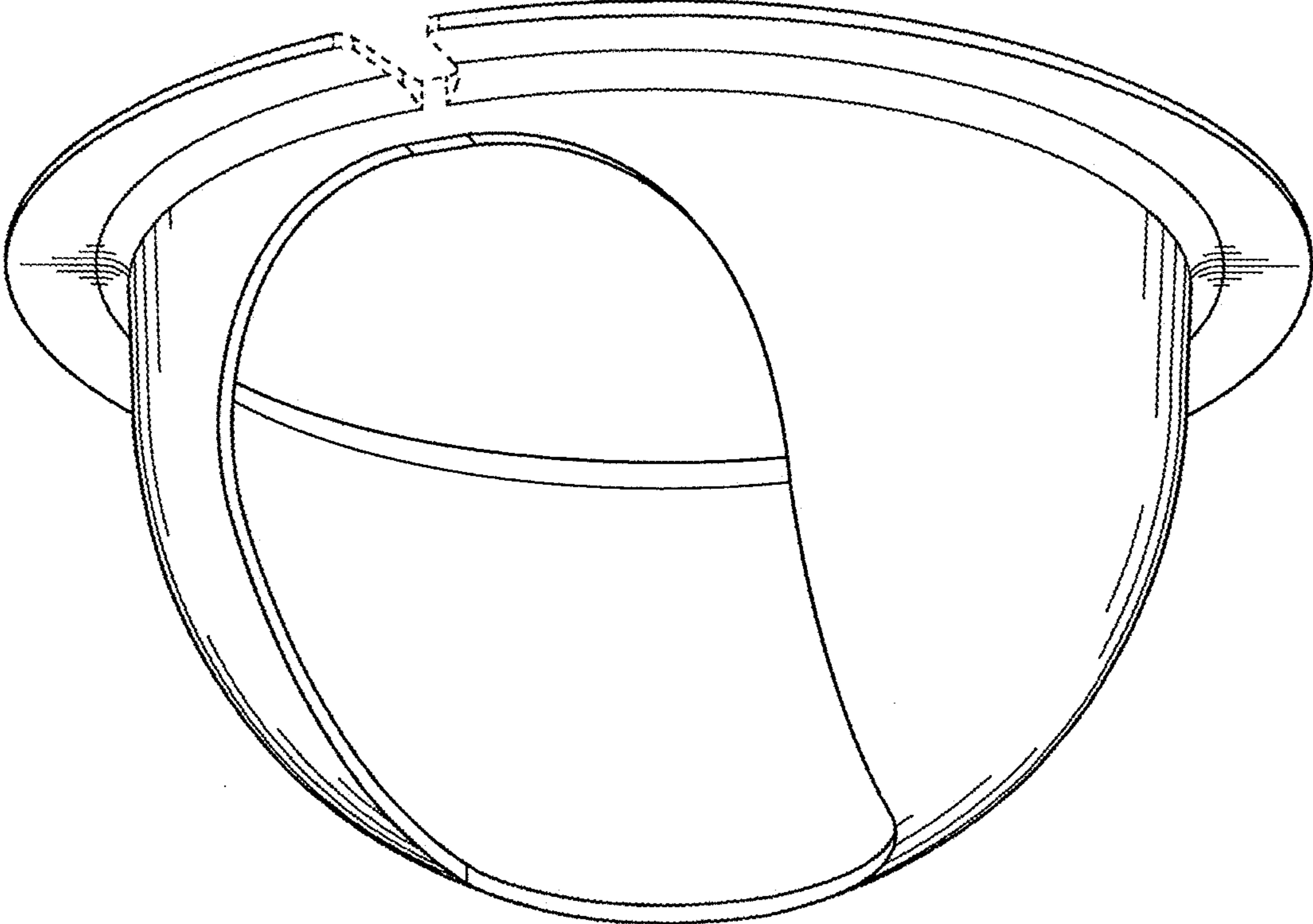
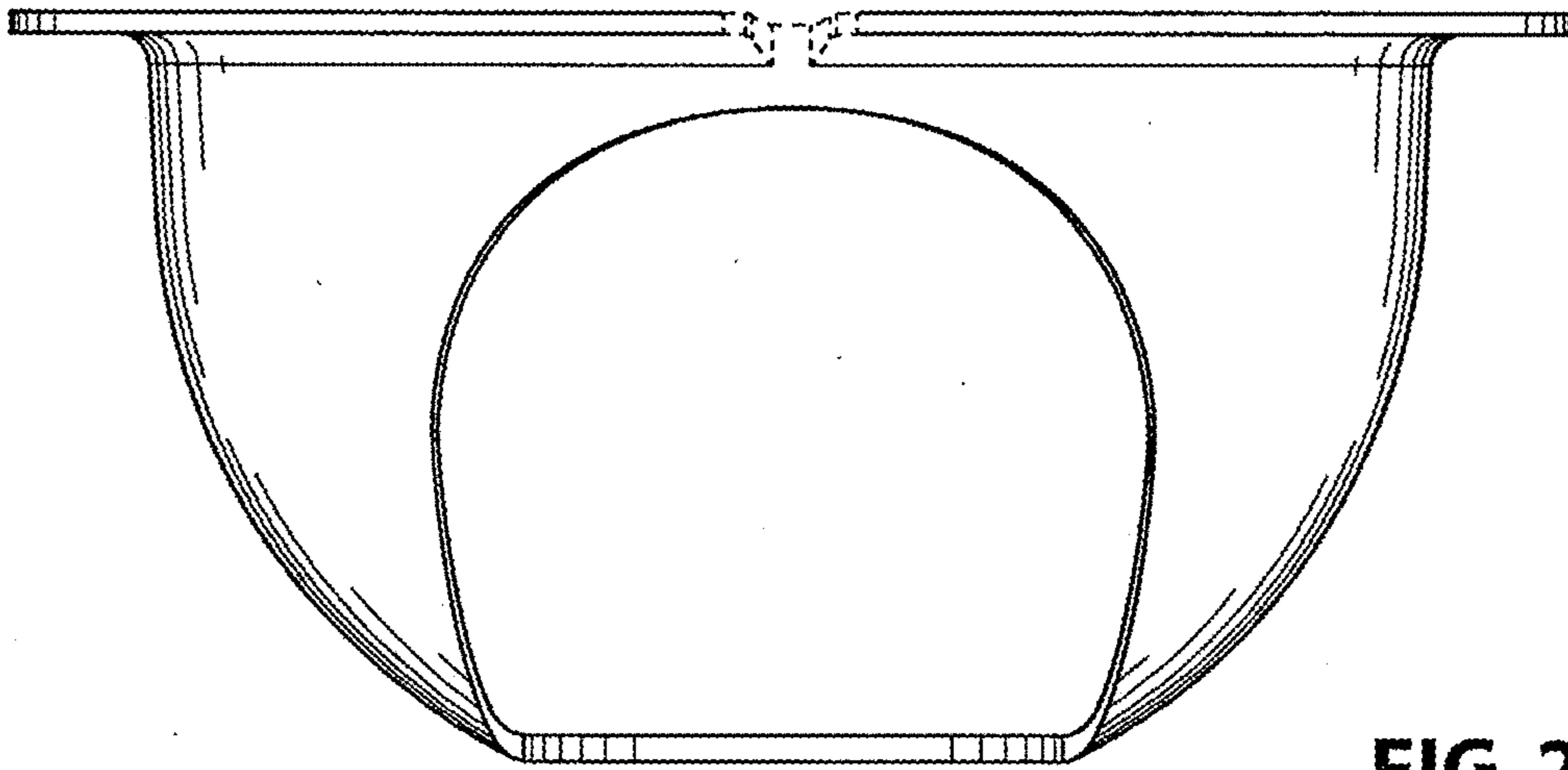
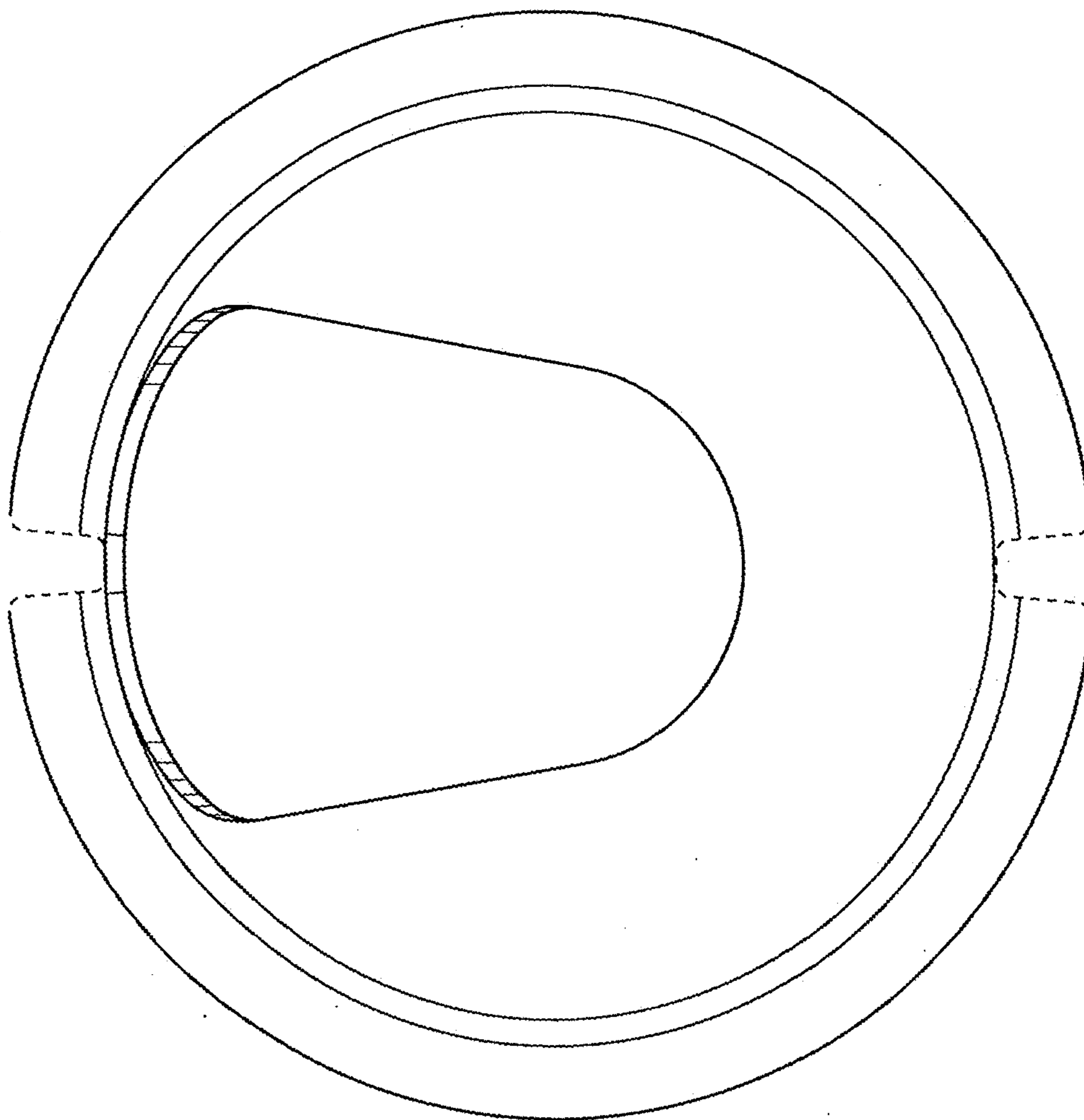


FIG. 1



**FIG. 2**



**FIG. 3**

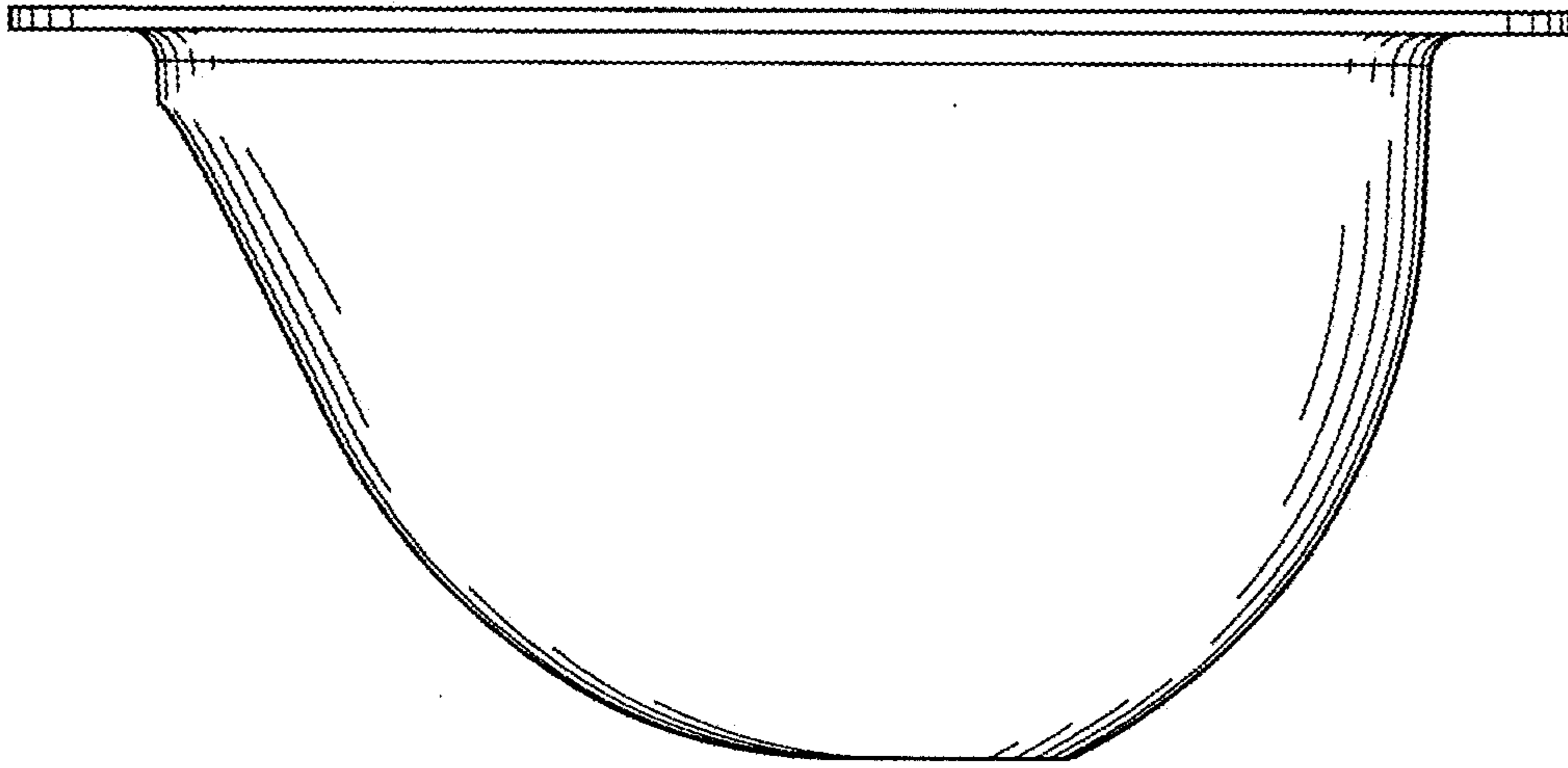


FIG. 4

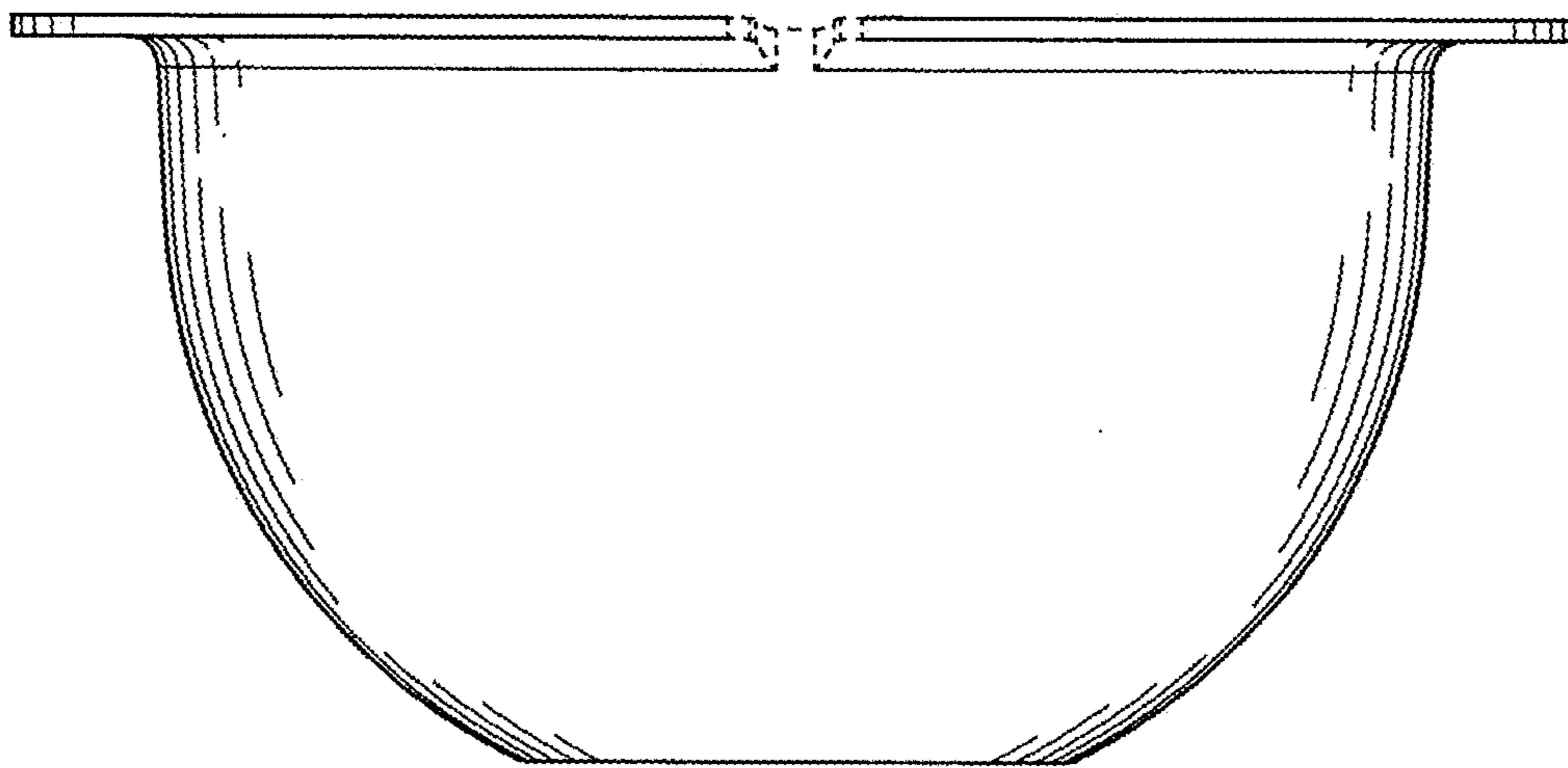
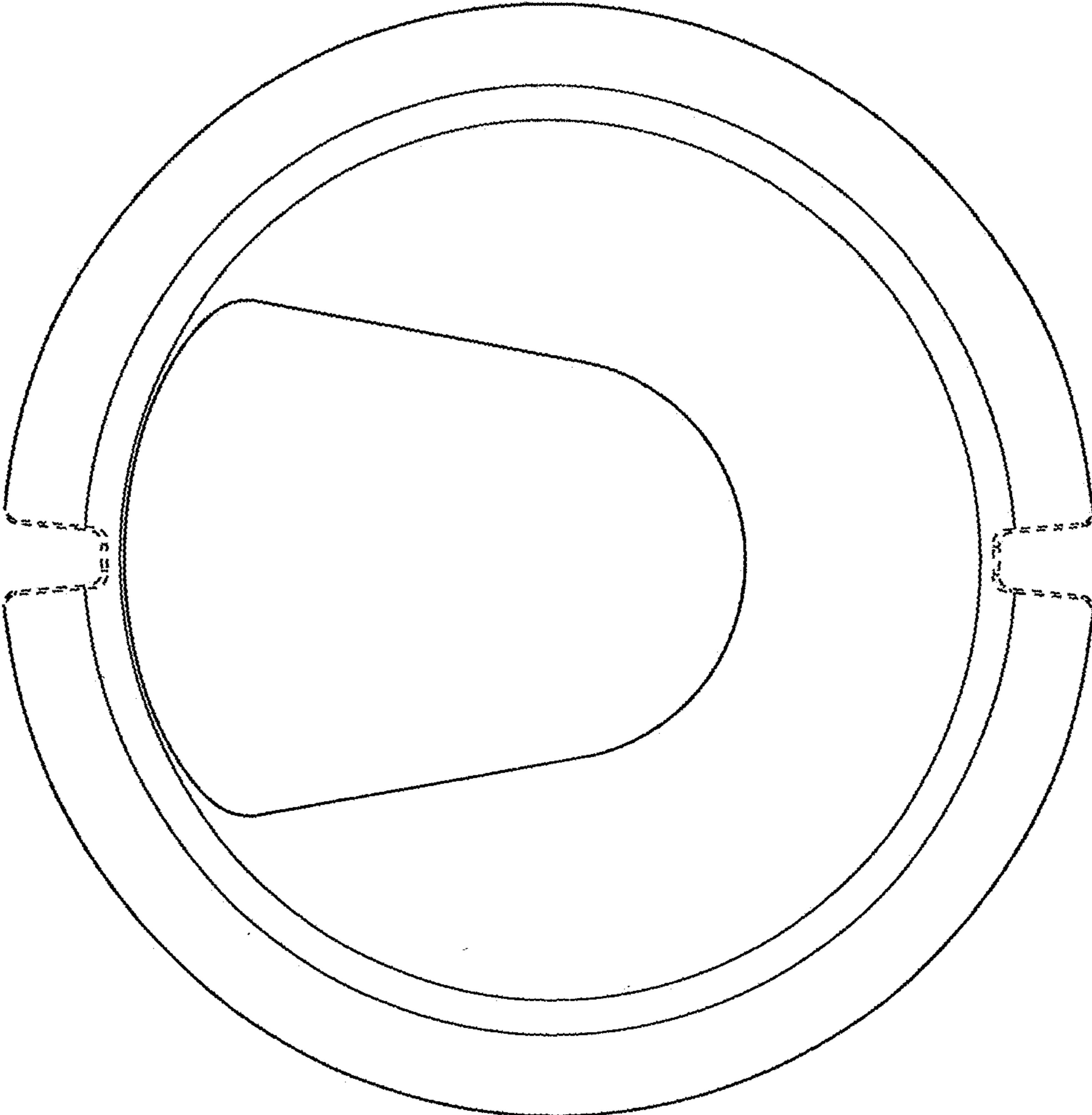
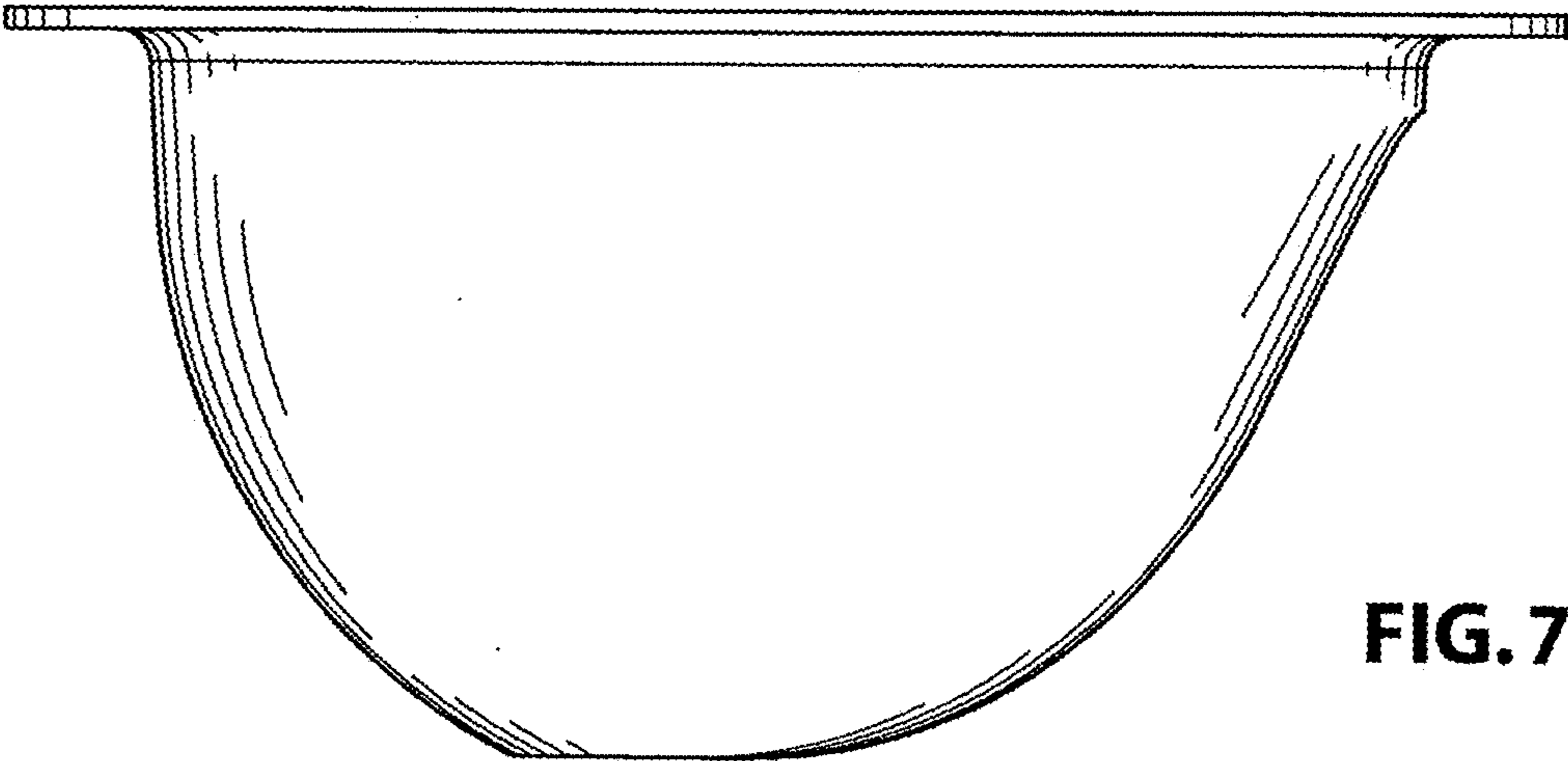


FIG. 5



**FIG. 6**



**FIG. 7**

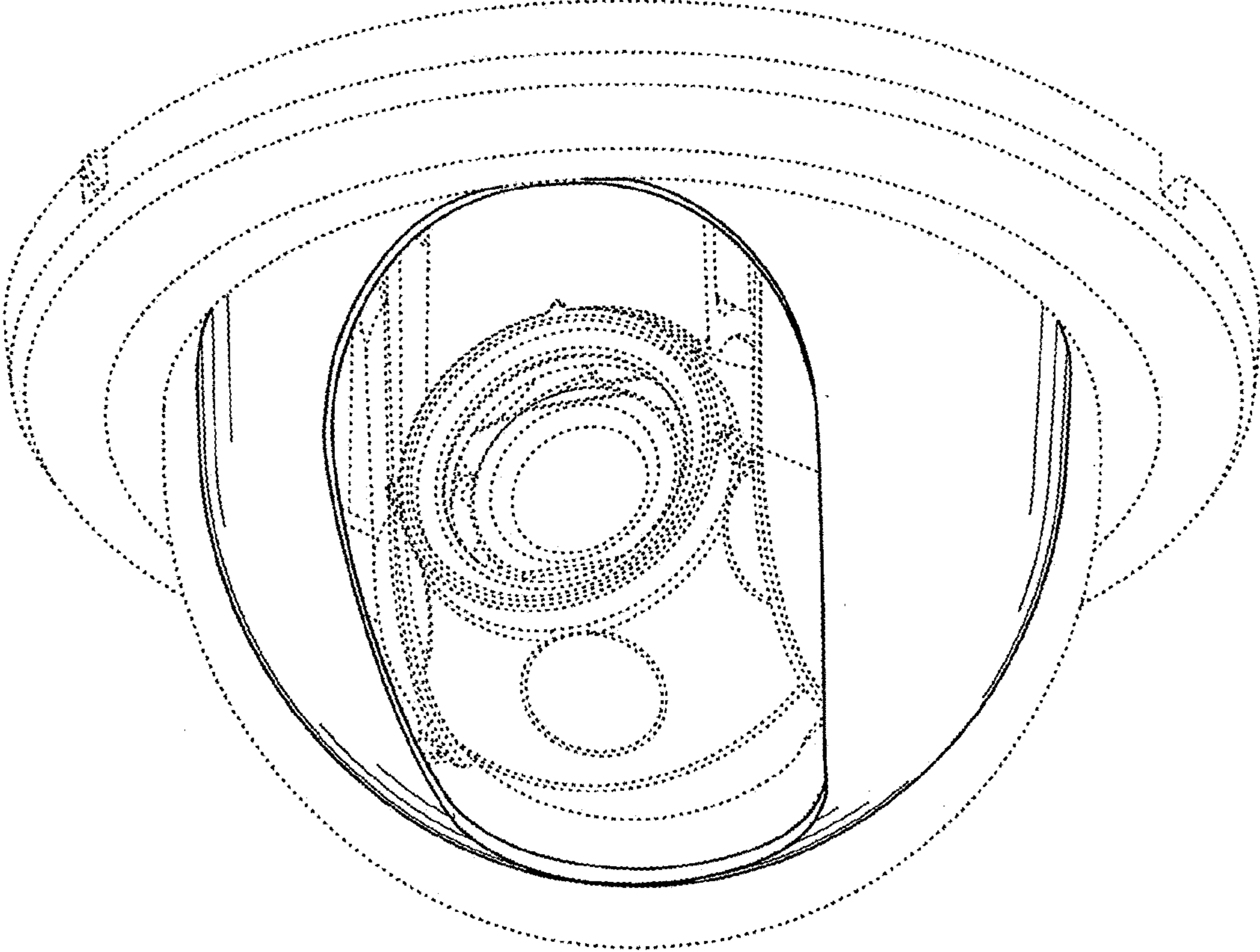


FIG. 8