



US00D741933S

(12) **United States Design Patent**
Bergstrom et al.

(10) **Patent No.:** **US D741,933 S**

(45) **Date of Patent:** **** Oct. 27, 2015**

(54) **MONITORING CAMERA**

(71) Applicant: **AXIS AB**, Lund (SE)

(72) Inventors: **Morten Bergstrom**, Bjarred (SE); **Ulf Lundberg**, Lund (SE); **Daniel Ahman**, Lomma (SE); **Mathias Walter**, Arlov (SE)

(73) Assignee: **AXIS AB**, Lund (SE)

(**) Term: **14 Years**

(21) Appl. No.: **29/490,269**

(22) Filed: **May 8, 2014**

(51) **LOC (10) Cl.** **16-01**

(52) **U.S. Cl.**
USPC **D16/203**

(58) **Field of Classification Search**
USPC D16/200, 202–208, 218, 219, 242;
348/143, 148, 151, 373–376; 396/419,
396/427, 535, 539–541; 248/176.1, 187.1
CPC G03B 17/02; G03B 19/04; G03B 17/56;
G03B 17/04; G03B 15/03; H04N 5/2251;
H04N 5/2252; H04N 5/2253; H04N 5/2254;
H04N 7/181; H04N 7/183; H04N 7/18
See application file for complete search history.

(56) **References Cited**

U.S. PATENT DOCUMENTS

4,394,692 A * 7/1983 Randmae et al. 348/374
4,414,576 A * 11/1983 Randmae 348/373
D273,012 S * 3/1984 Kozloski D16/203
D403,340 S * 12/1998 Arbuckle D16/203
D472,260 S * 3/2003 Higgins et al. D16/203

D607,033 S * 12/2009 Arbuckle et al. D16/203
7,762,731 B2 * 7/2010 Arbuckle et al. 396/427
D638,871 S * 5/2011 Bergstrom et al. D16/203
D642,607 S * 8/2011 Bergstrom et al. D16/203
D643,454 S * 8/2011 Zaliauskas et al. D16/203
D679,308 S * 4/2013 Park et al. D16/203
D684,619 S * 6/2013 Chapple et al. D16/203
2011/0052179 A1 * 3/2011 Jung et al. 396/427

OTHER PUBLICATIONS

Axis Communications, “Axis M1113-E Network Camera,” www.axis.com/en/products/cam_m1113e/index.htm, 2014, 2 pgs.

* cited by examiner

Primary Examiner — Philip S Hyder

Assistant Examiner — Ramzi Almatrahi

(74) *Attorney, Agent, or Firm* — Volpe and Koenig, P.C.

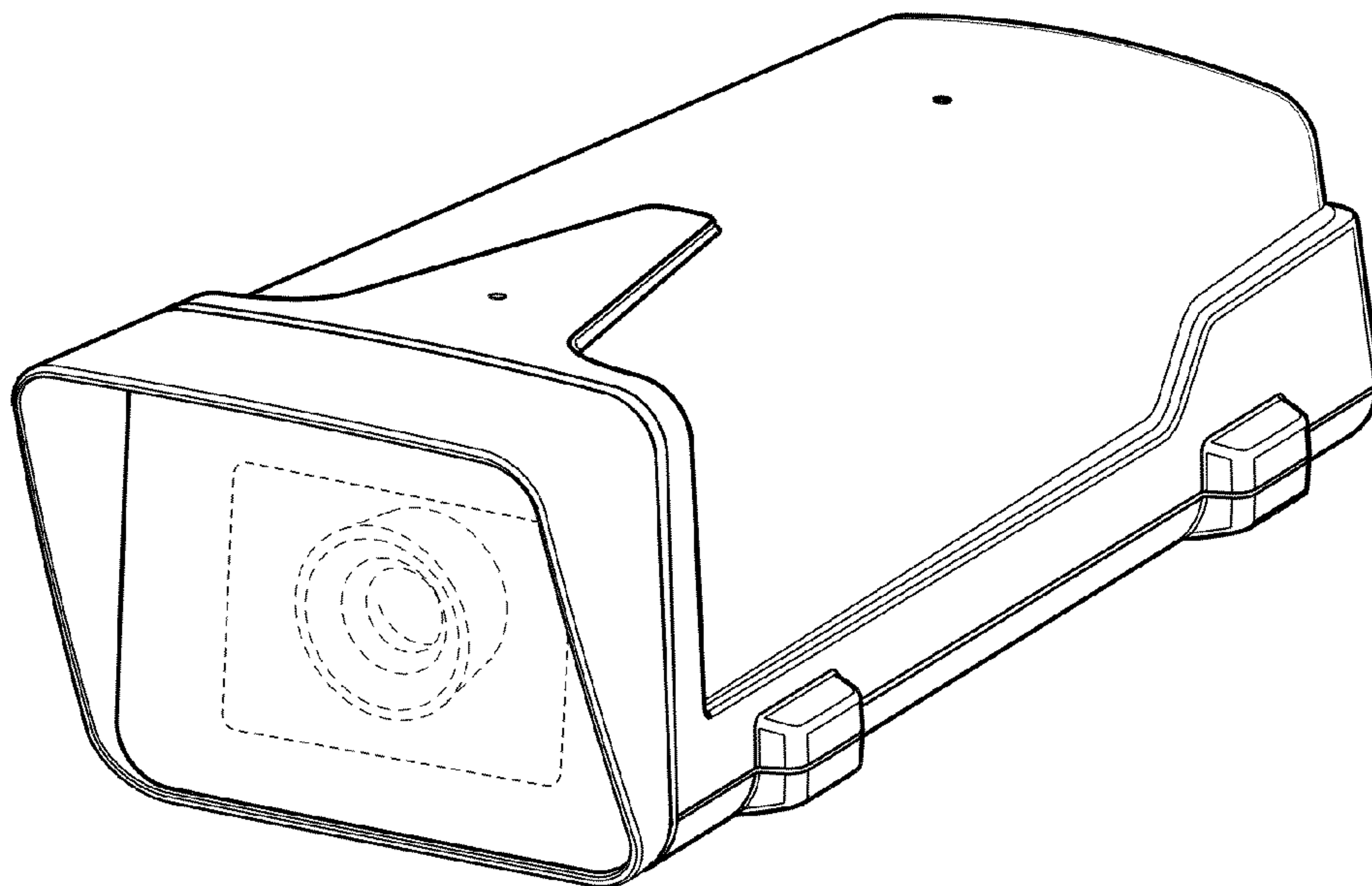
(57) **CLAIM**

The ornamental design for a monitoring camera, as shown and described.

DESCRIPTION

FIG. 1 is a top, front, and right side perspective view of a monitoring camera showing our new design; FIG. 2 is a front elevational view thereof; FIG. 3 is a right side elevational view thereof; FIG. 4 is a top plan view thereof; FIG. 5 is a left side elevational view thereof; FIG. 6 is a bottom plan view thereof; and, FIG. 7 is a rear elevational view thereof. The broken line rectangle in FIGS. 1-2 defines the boundary of the claim design. The broken line depiction of the lens in FIGS. 1-2 depicts a portion of the monitoring camera that forms no part of the claimed design.

1 Claim, 3 Drawing Sheets



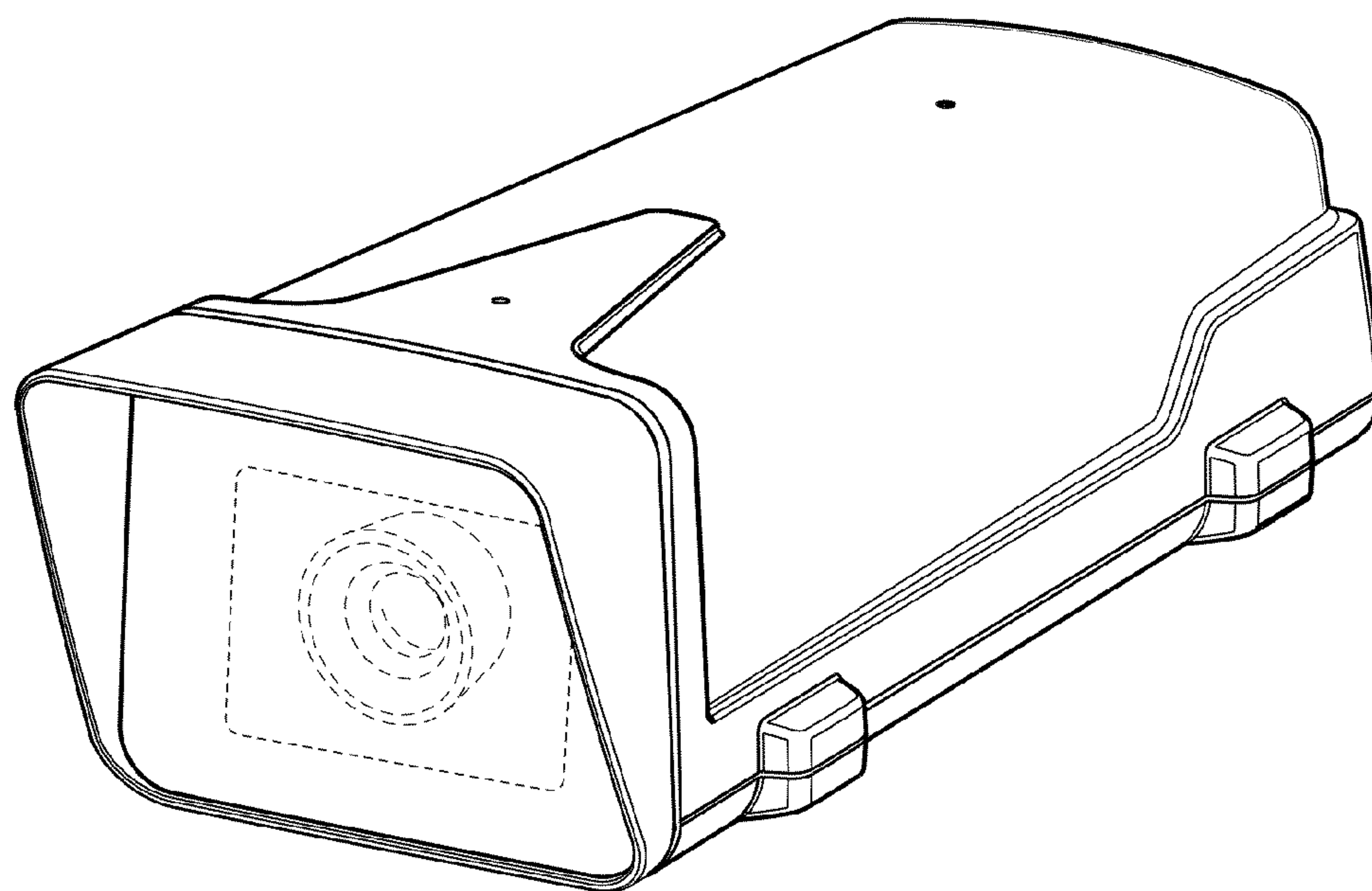


Figure 1

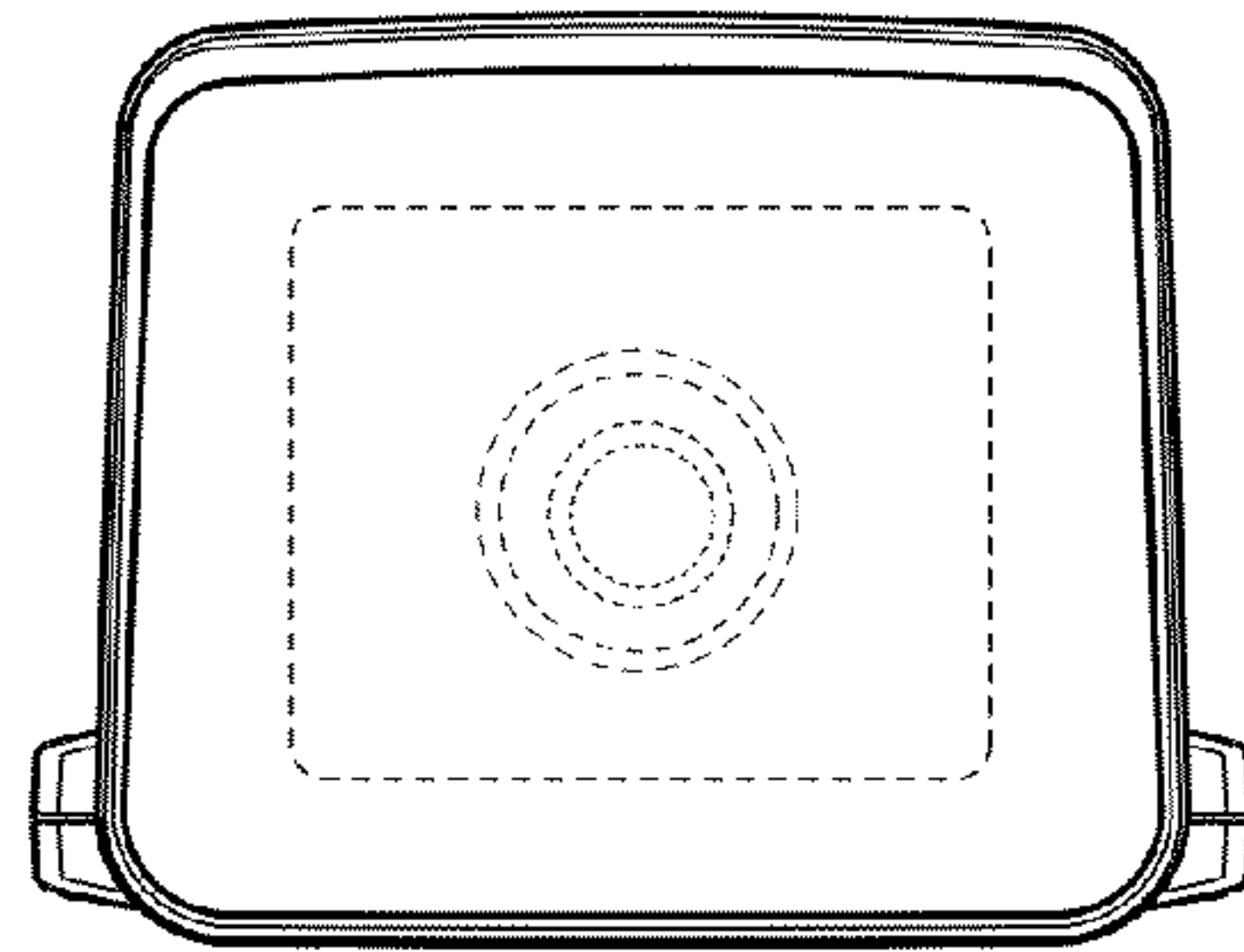


Figure 2

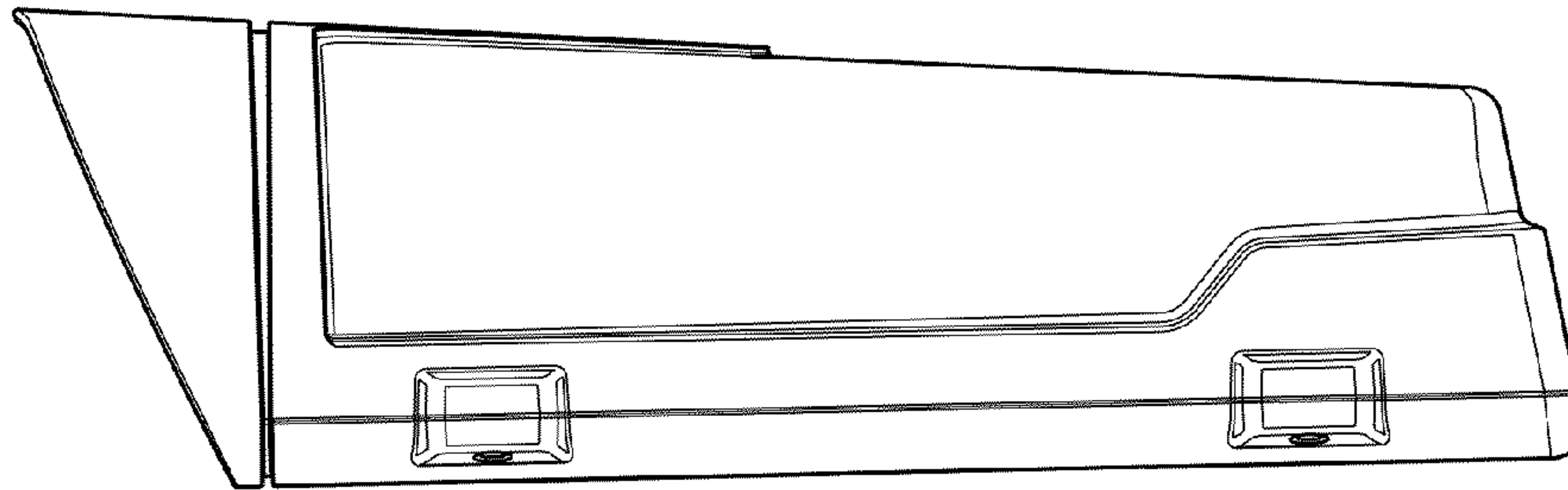


Figure 3

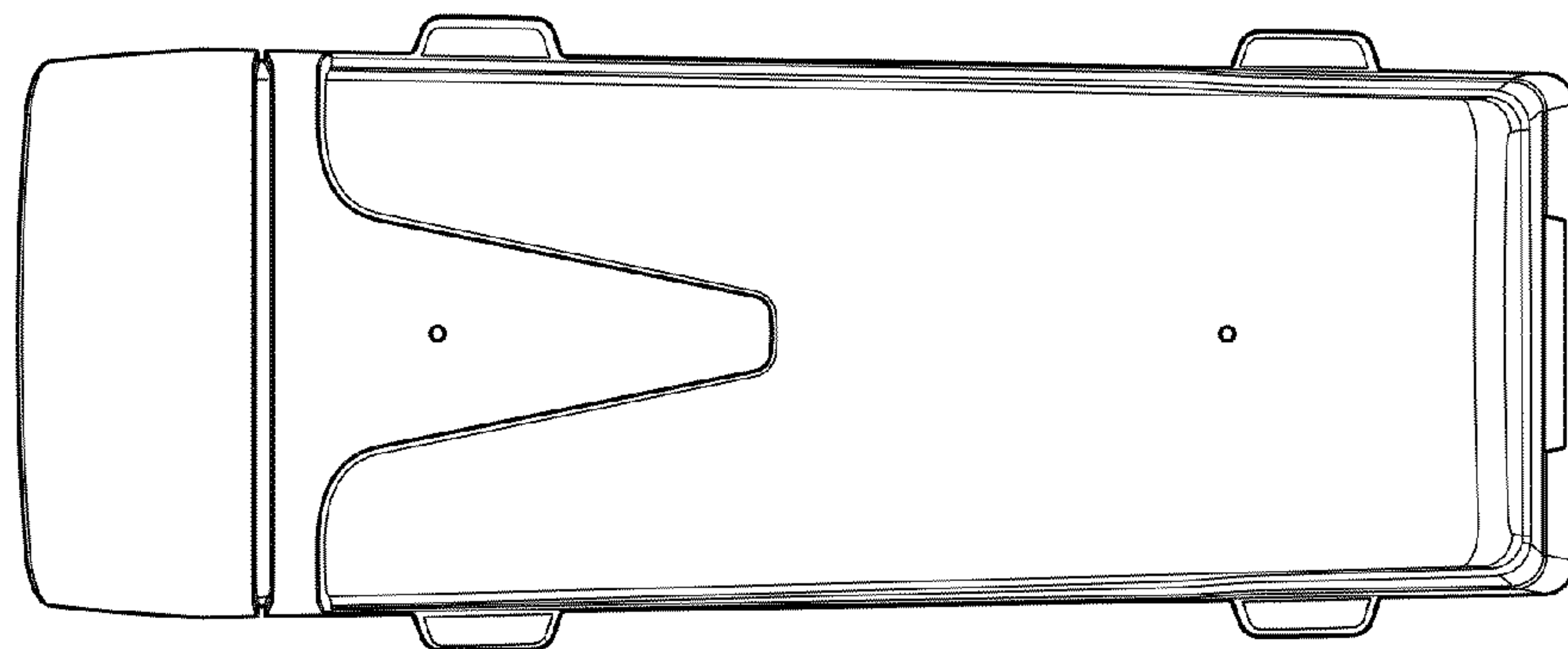


Figure 4

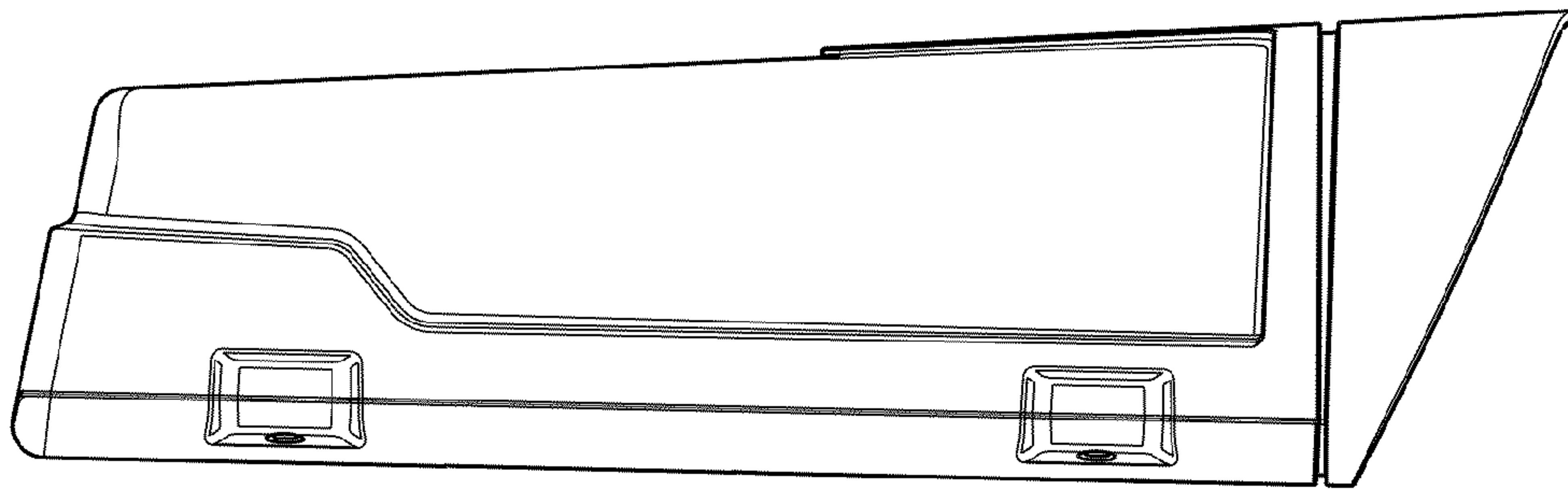


Figure 5

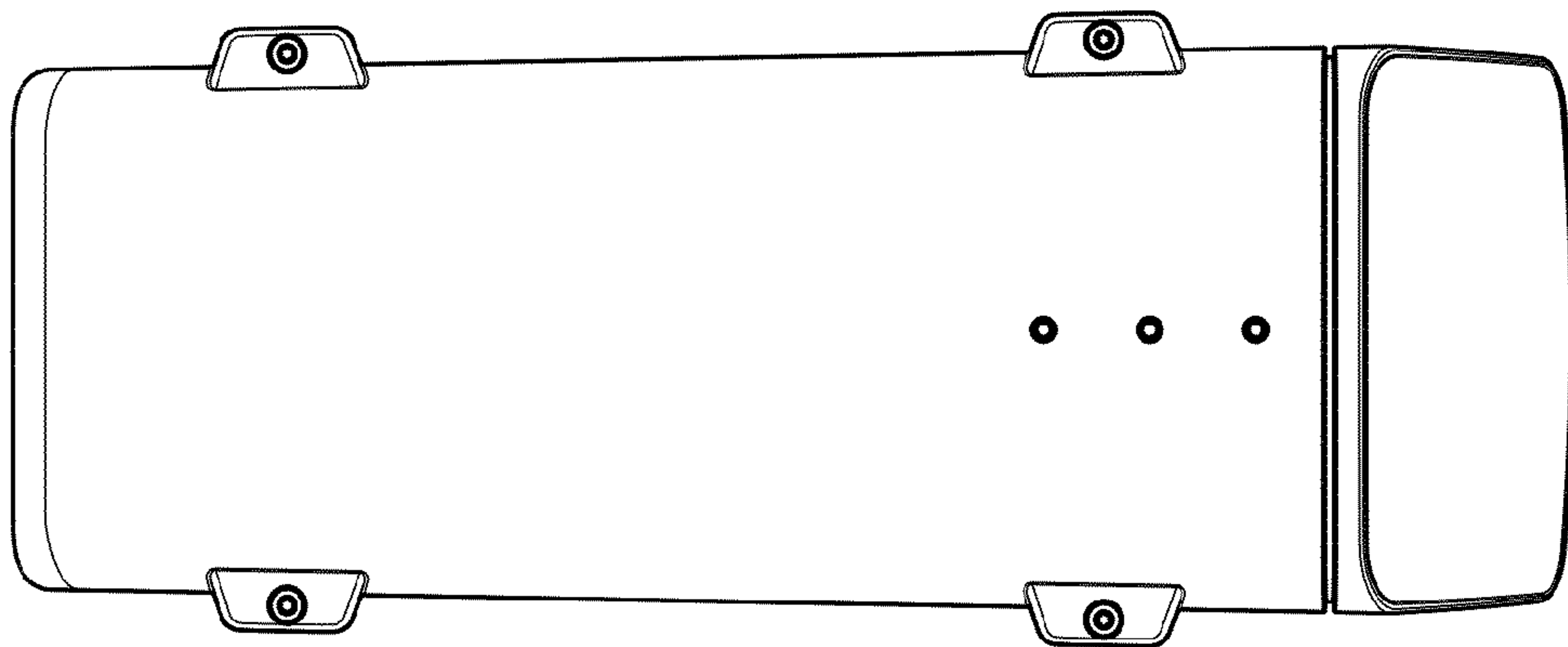


Figure 6

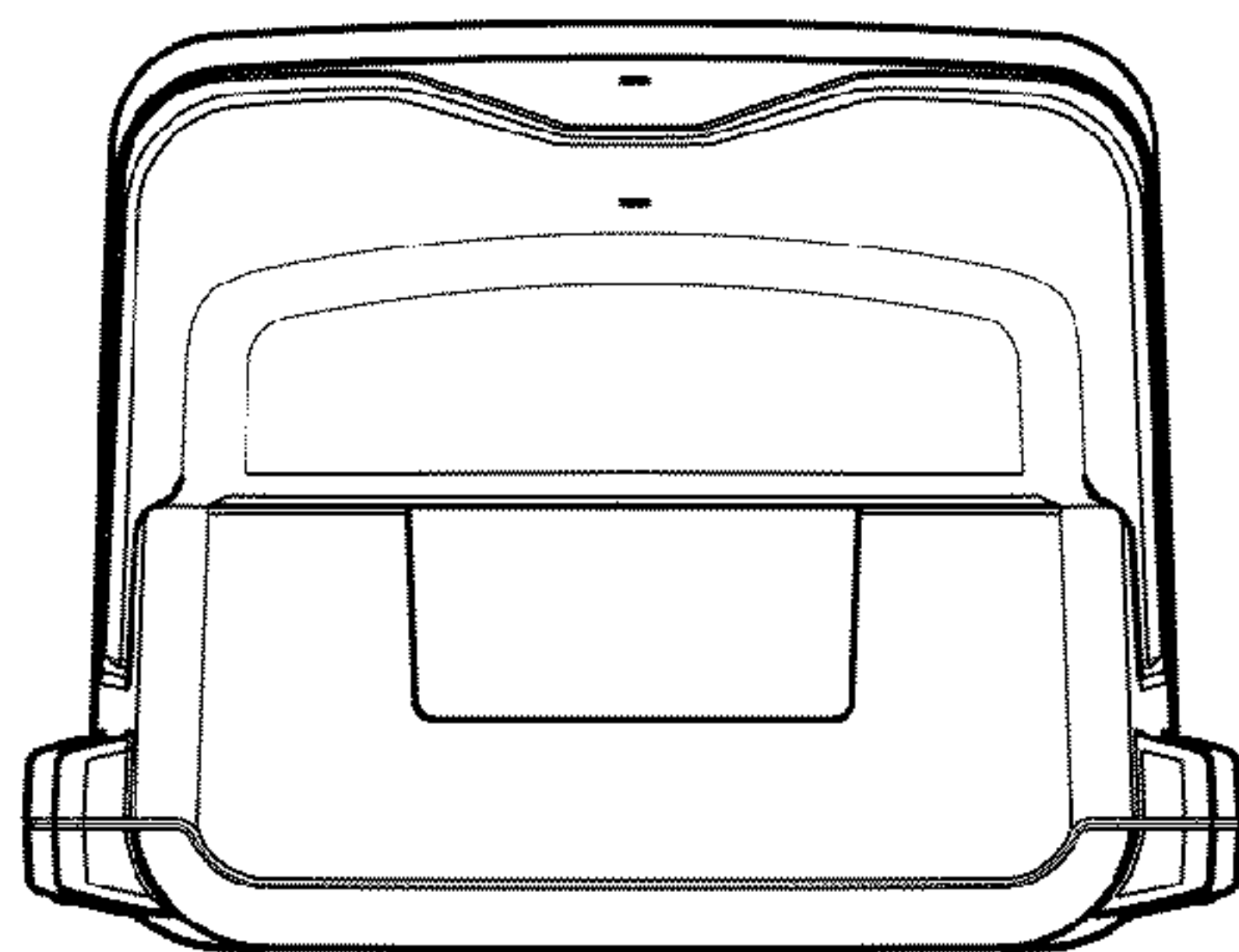


Figure 7

UNITED STATES PATENT AND TRADEMARK OFFICE
CERTIFICATE OF CORRECTION

PATENT NO. : D741,933 S
APPLICATION NO. : 29/490269
DATED : October 27, 2015
INVENTOR(S) : Bergstrom et al.

Page 1 of 1

It is certified that error appears in the above-identified patent and that said Letters Patent is hereby corrected as shown below:

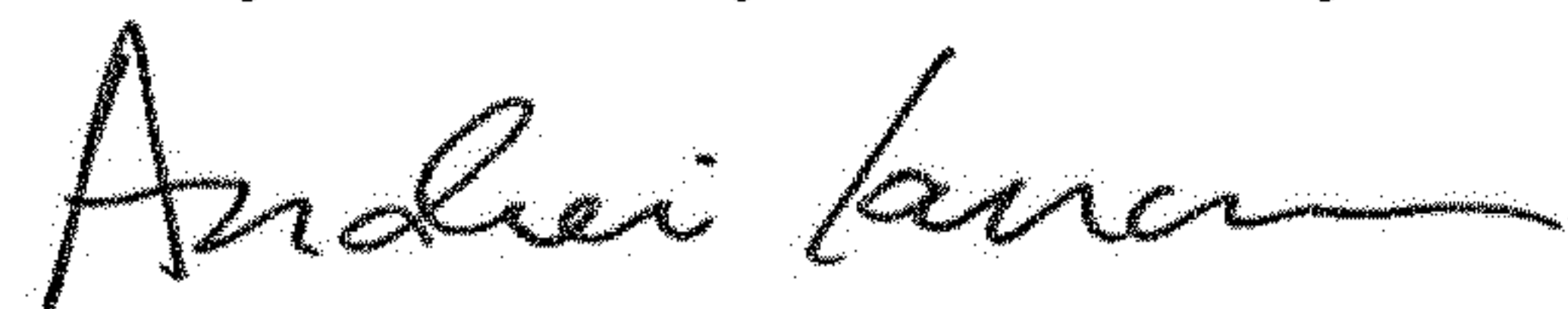
On the Title Page

Insert:

--(30) Foreign Application Priority Data

European Design Patent Appln. Nos. 002344721-0001 through -0004, filed November 13, 2013--.

Signed and Sealed this
Twenty-sixth Day of February, 2019



Andrei Iancu
Director of the United States Patent and Trademark Office