



US00D741932S

(12) **United States Design Patent**
Huang et al.

(10) **Patent No.:** **US D741,932 S**

(45) **Date of Patent:** **** Oct. 27, 2015**

(54) **STAND TYPE OF CAMERA**

(71) Applicant: **Chicony Electronics Co., Ltd.**, New Taipei (TW)

(72) Inventors: **Wei-Cheng Huang**, New Taipei (TW);
Chien-Hao Liao, New Taipei (TW)

(73) Assignee: **CHICONY ELECTRONICS CO., LTD.**, New Taipei (TW)

(**) Term: **14 Years**

(21) Appl. No.: **29/502,305**

(22) Filed: **Sep. 15, 2014**

(51) **LOC (10) Cl.** **16-01**

(52) **U.S. Cl.**
USPC **D16/202; D16/203**

(58) **Field of Classification Search**
USPC D16/200, 202, 203, 208, 214, 218, 219;
348/143, 373-374; 396/419, 427,
396/535-541

See application file for complete search history.

(56) **References Cited**

U.S. PATENT DOCUMENTS

D558,249	S *	12/2007	Hsia	D16/203
7,303,171	B1 *	12/2007	Chen	396/419
D573,622	S *	7/2008	Fisher et al.	D16/202
D575,316	S *	8/2008	Liu et al.	D16/202
7,736,071	B2 *	6/2010	Wahl et al.	348/373
D624,108	S *	9/2010	Wang et al.	D16/219

D644,259	S *	8/2011	Barley et al.	D16/203
D649,573	S *	11/2011	Al	D16/203
D651,633	S *	1/2012	Park et al.	D16/203
D659,733	S *	5/2012	Chen	D16/202
D697,119	S *	1/2014	Park et al.	D16/203
D721,754	S *	1/2015	Chen	D16/202
D730,421	S *	5/2015	Huang et al.	D16/202

* cited by examiner

Primary Examiner — Adir Aronovich

(74) *Attorney, Agent, or Firm* — Chun-Ming Shih; HDLS IPR Services

(57) **CLAIM**

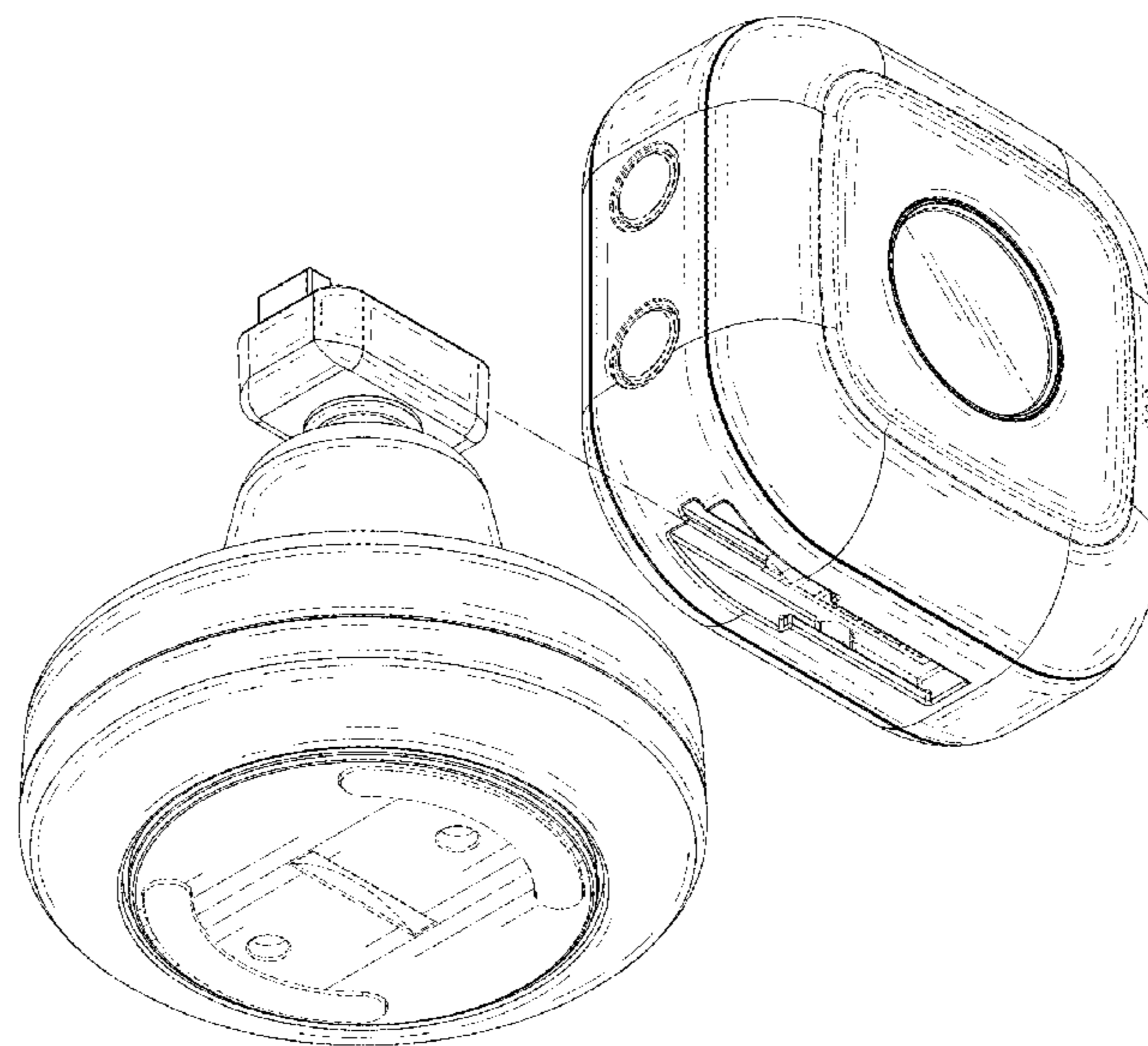
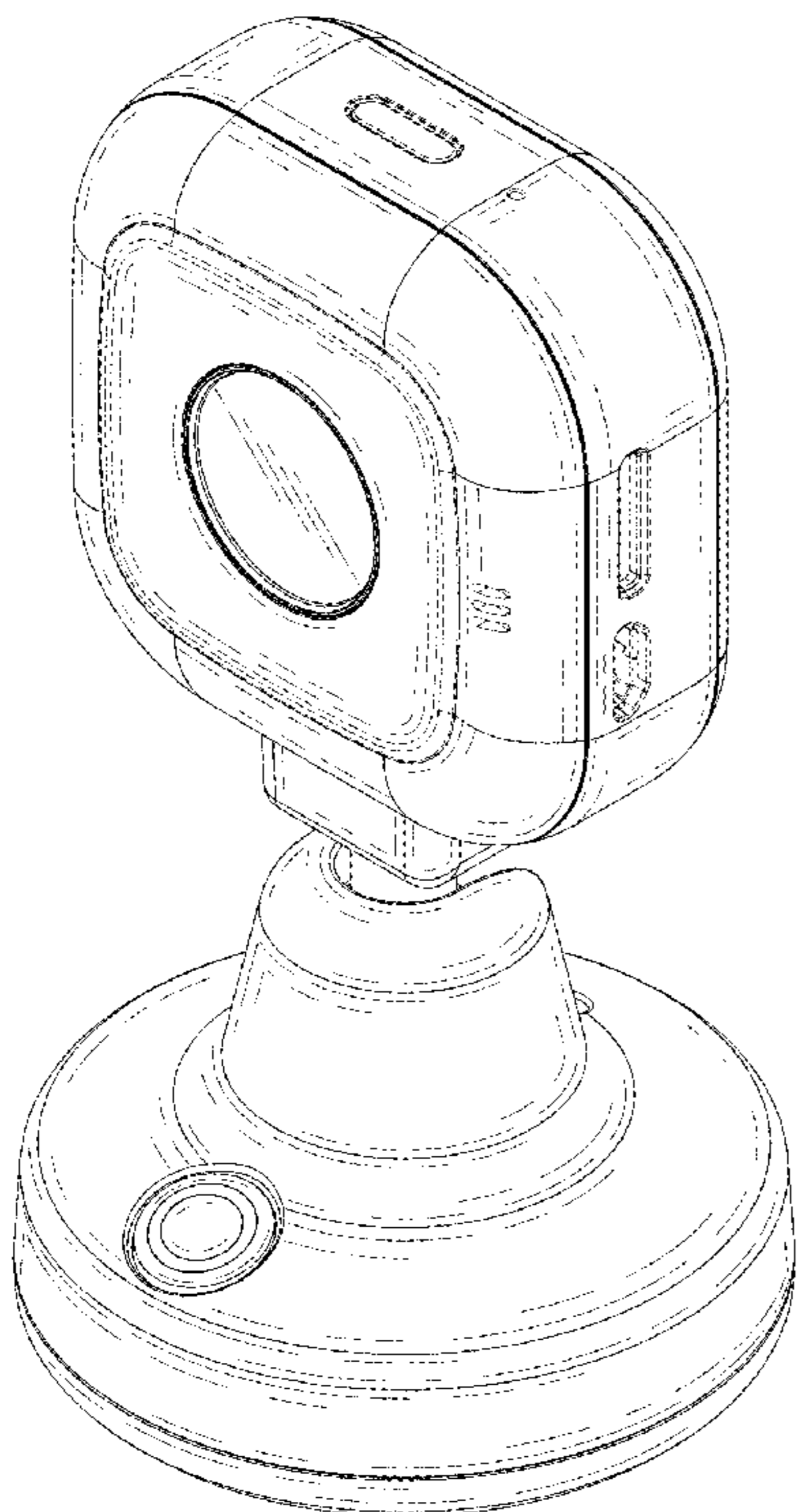
The ornamental design for a stand type of camera, as shown and described.

DESCRIPTION

FIG. 1 is a top, front and right side perspective view of a stand type of camera showing our new design; FIG. 2 is a front elevational view thereof; FIG. 3 is a rear elevational view thereof; FIG. 4 is a left side elevational view; FIG. 5 is a right side elevational view; FIG. 6 is a top plan view; FIG. 7 is a bottom plan view; FIG. 8 is a top, rear and left side perspective view thereof; and, FIG. 9 is an exploded perspective view of the stand type of camera.

The broken lines shown represent unclaimed subject matter and form no part of the claimed design.

1 Claim, 8 Drawing Sheets



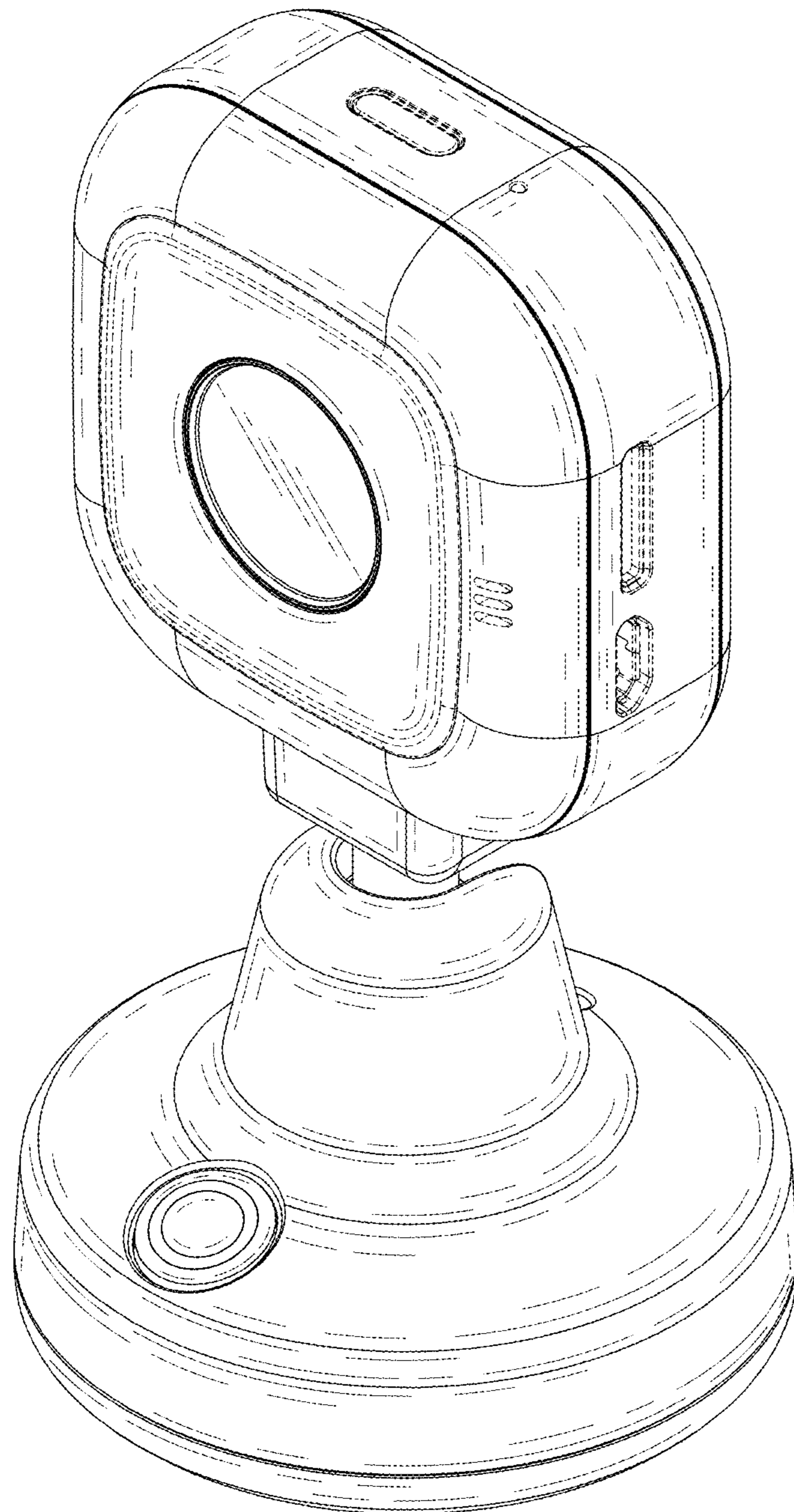


FIG. 1

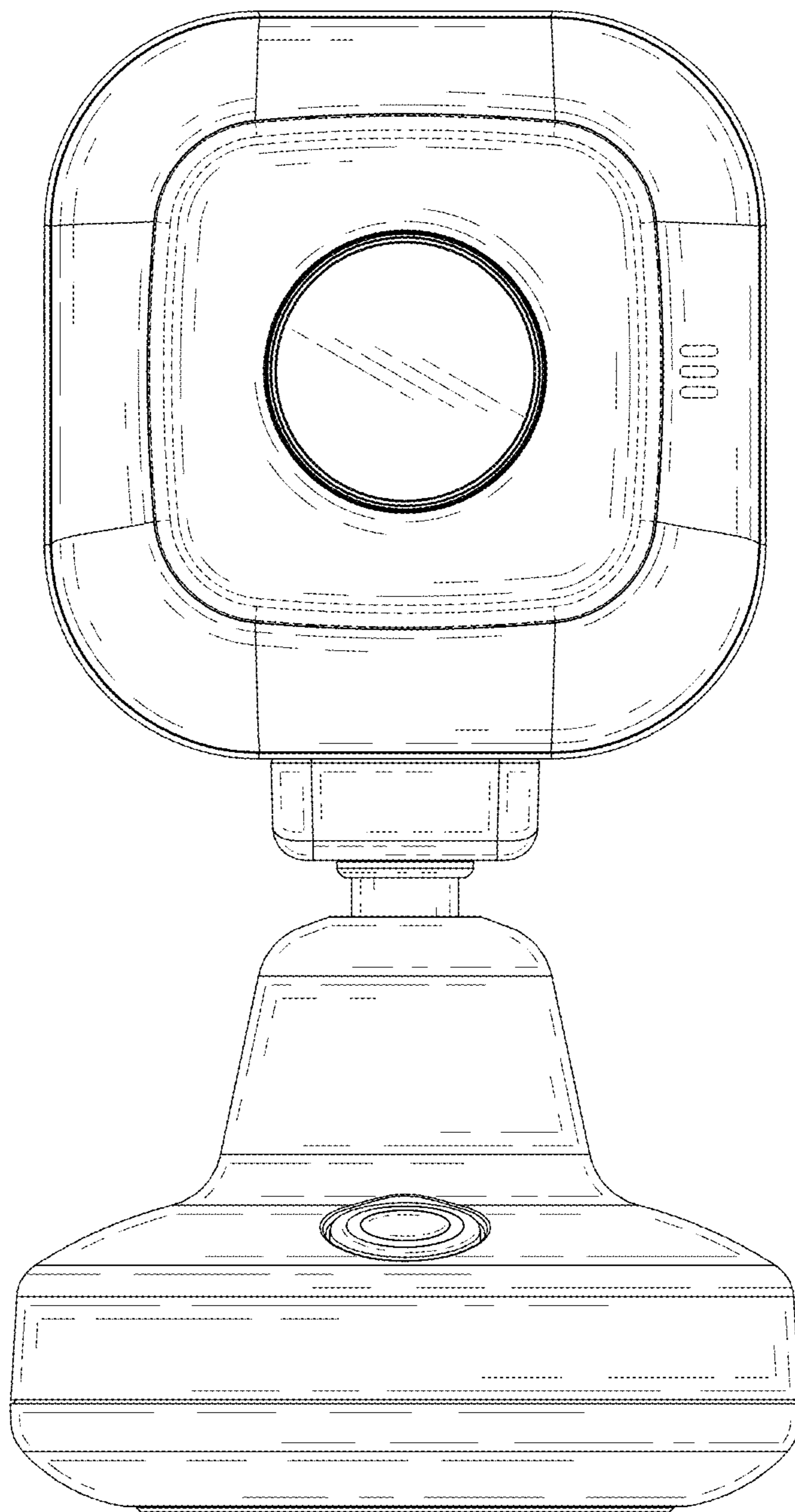


FIG.2

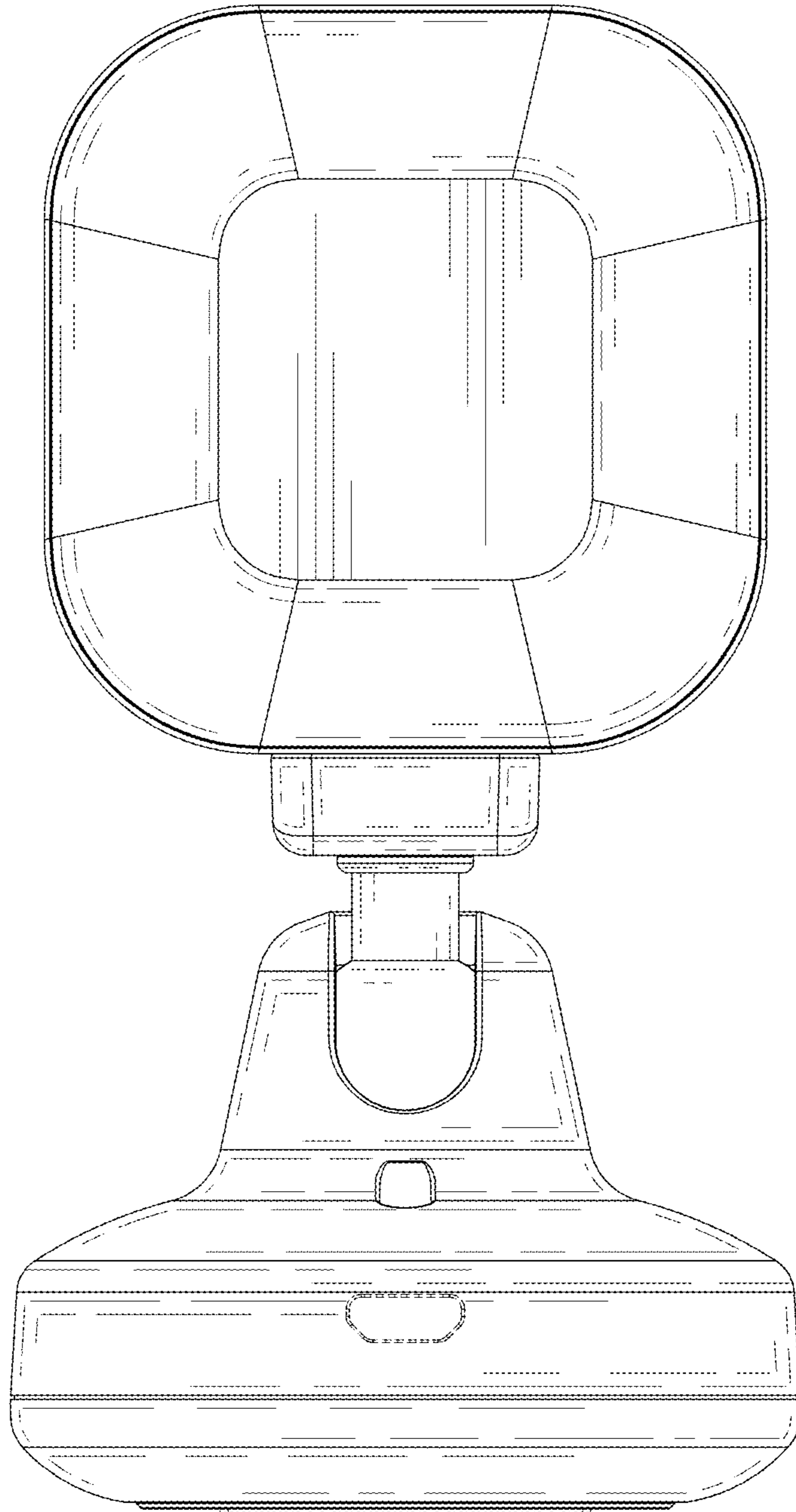


FIG. 3

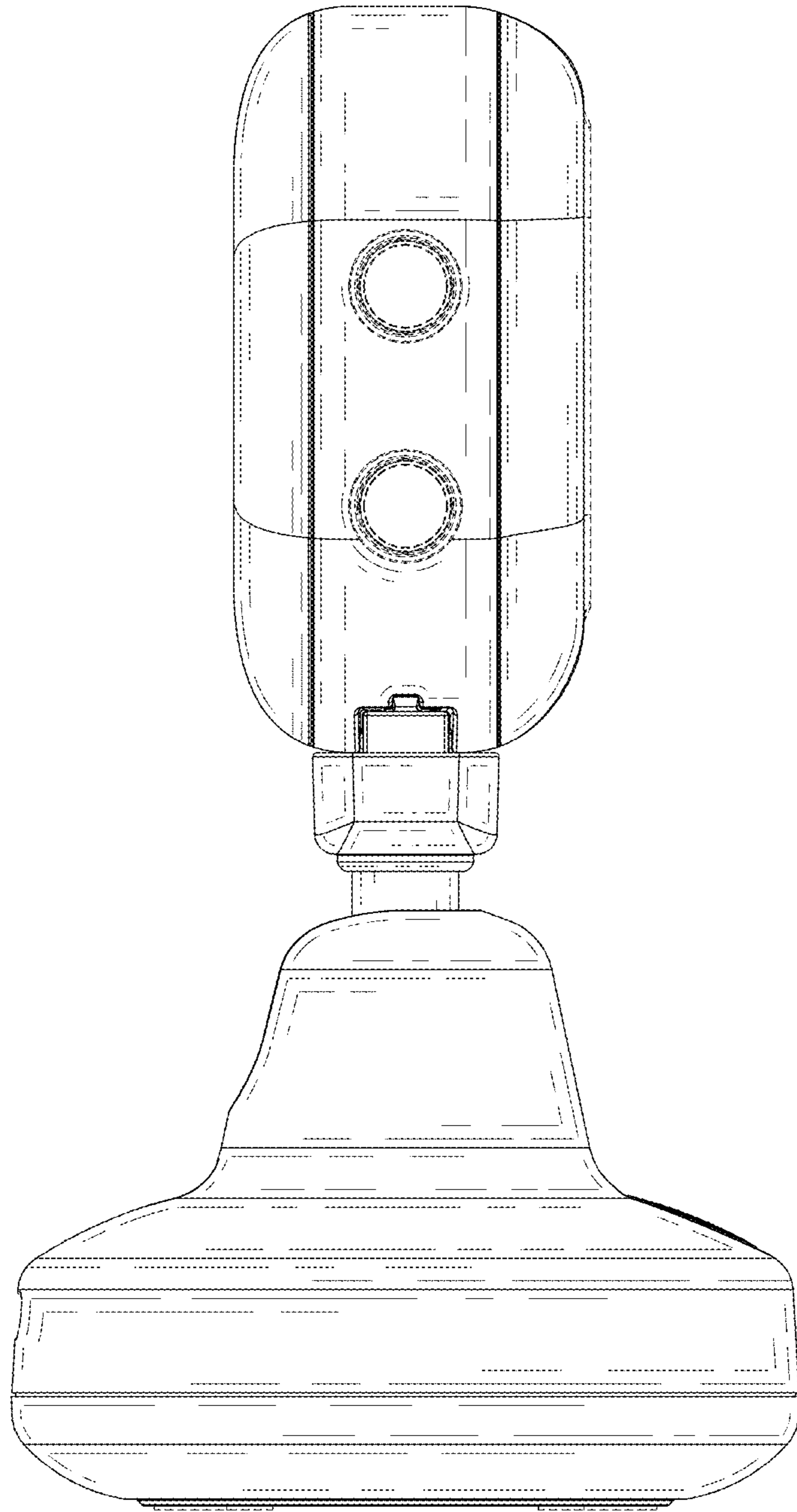


FIG.4

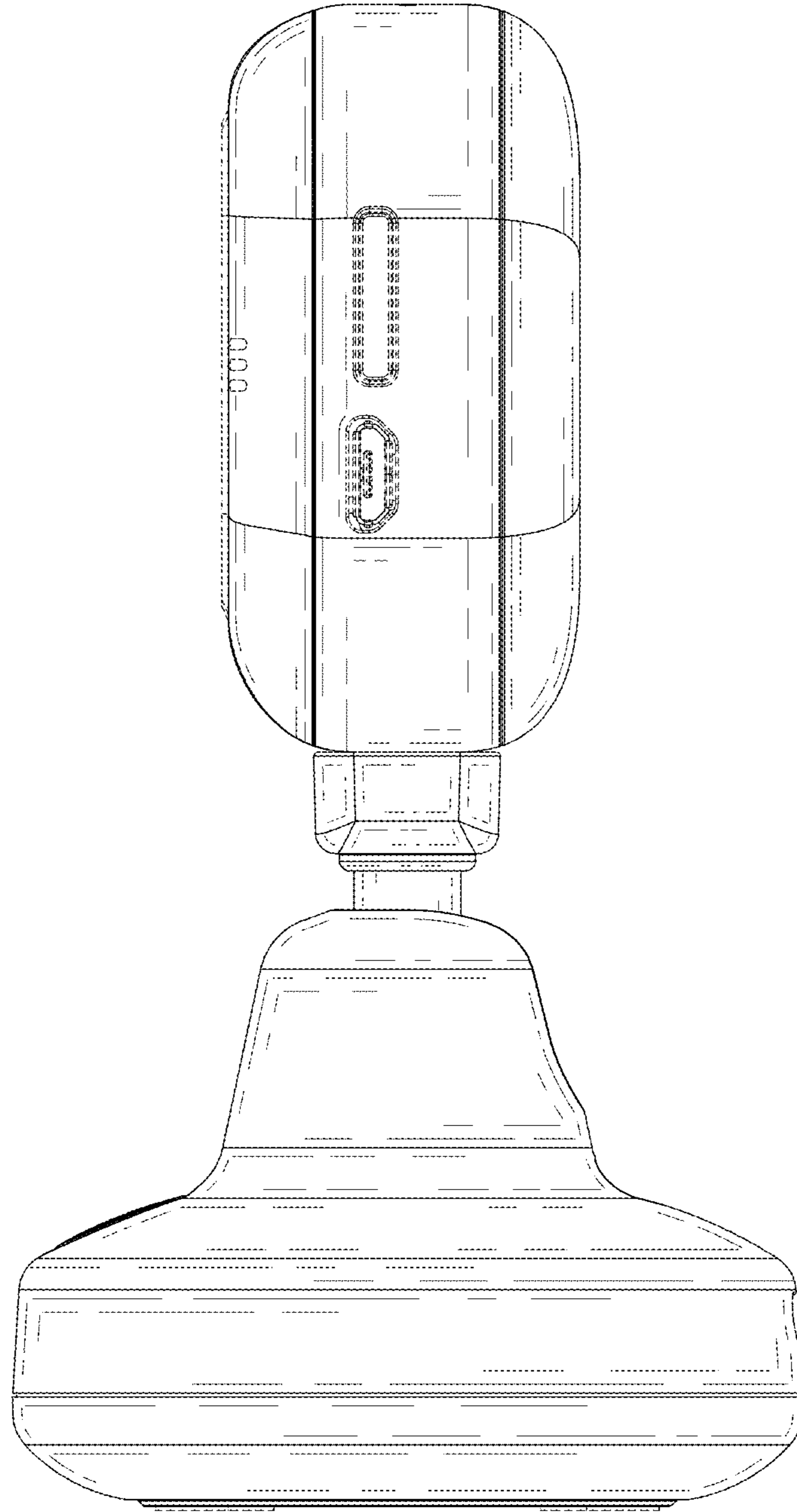


FIG. 5

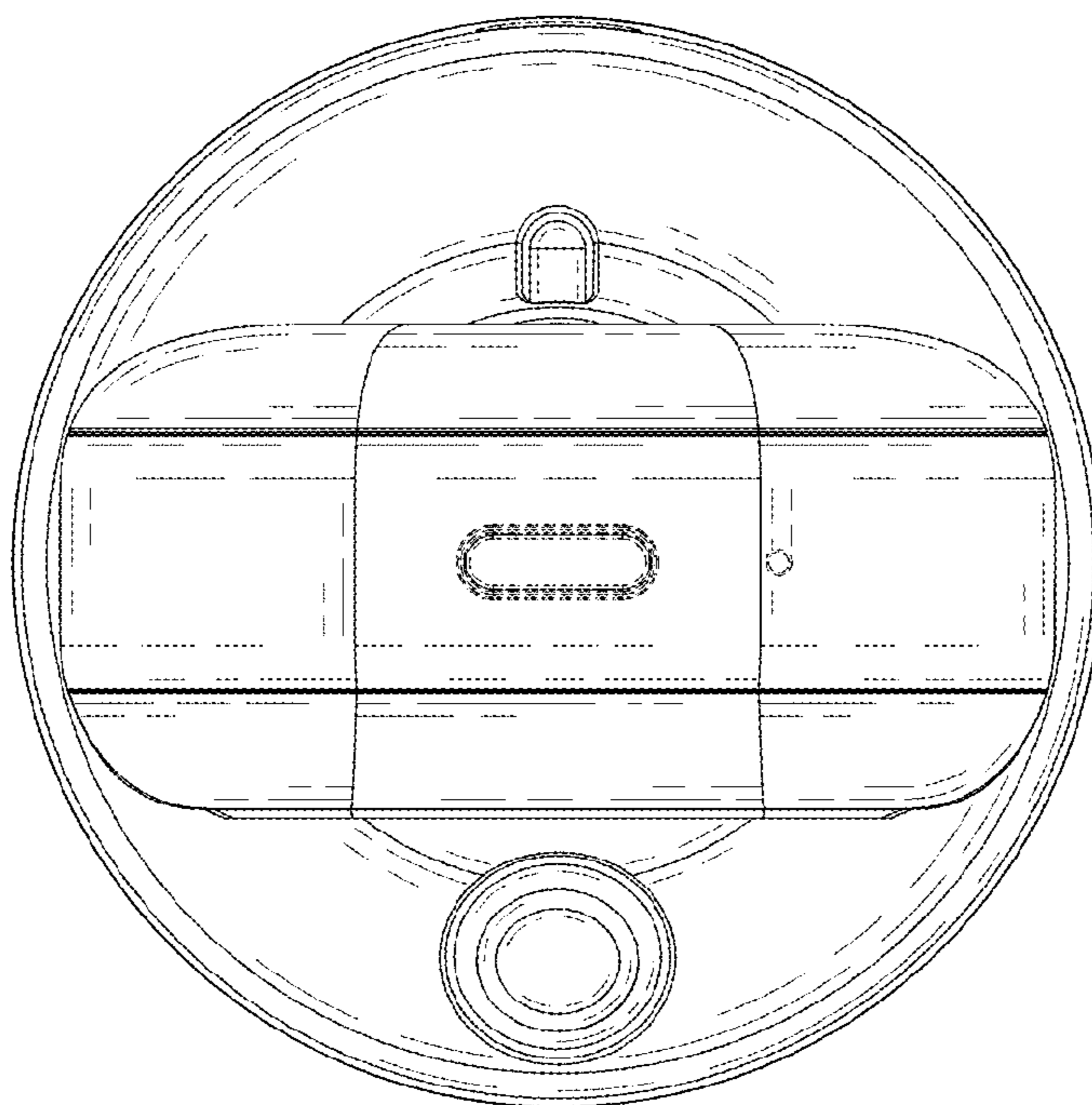


FIG. 6

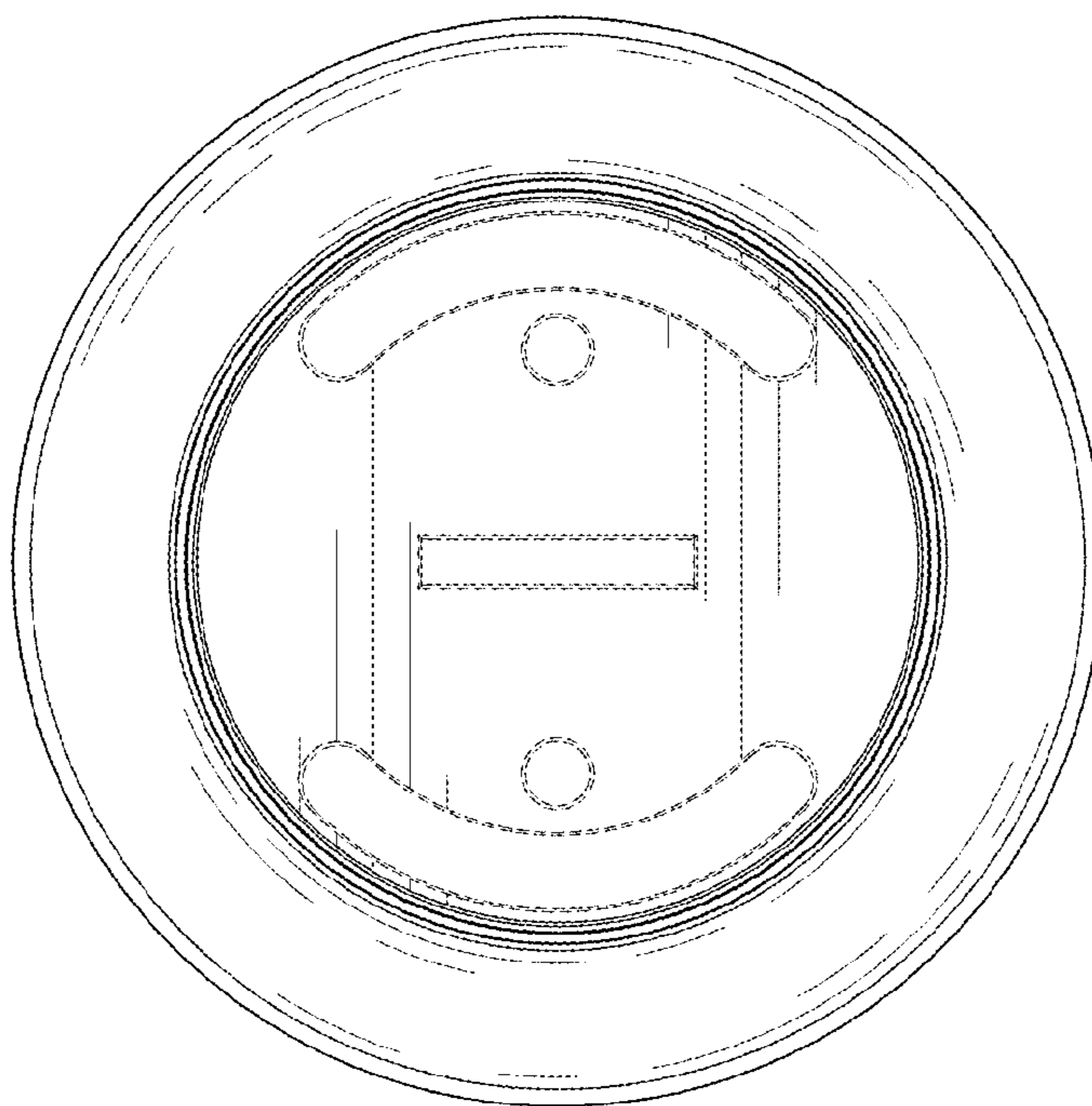


FIG. 7

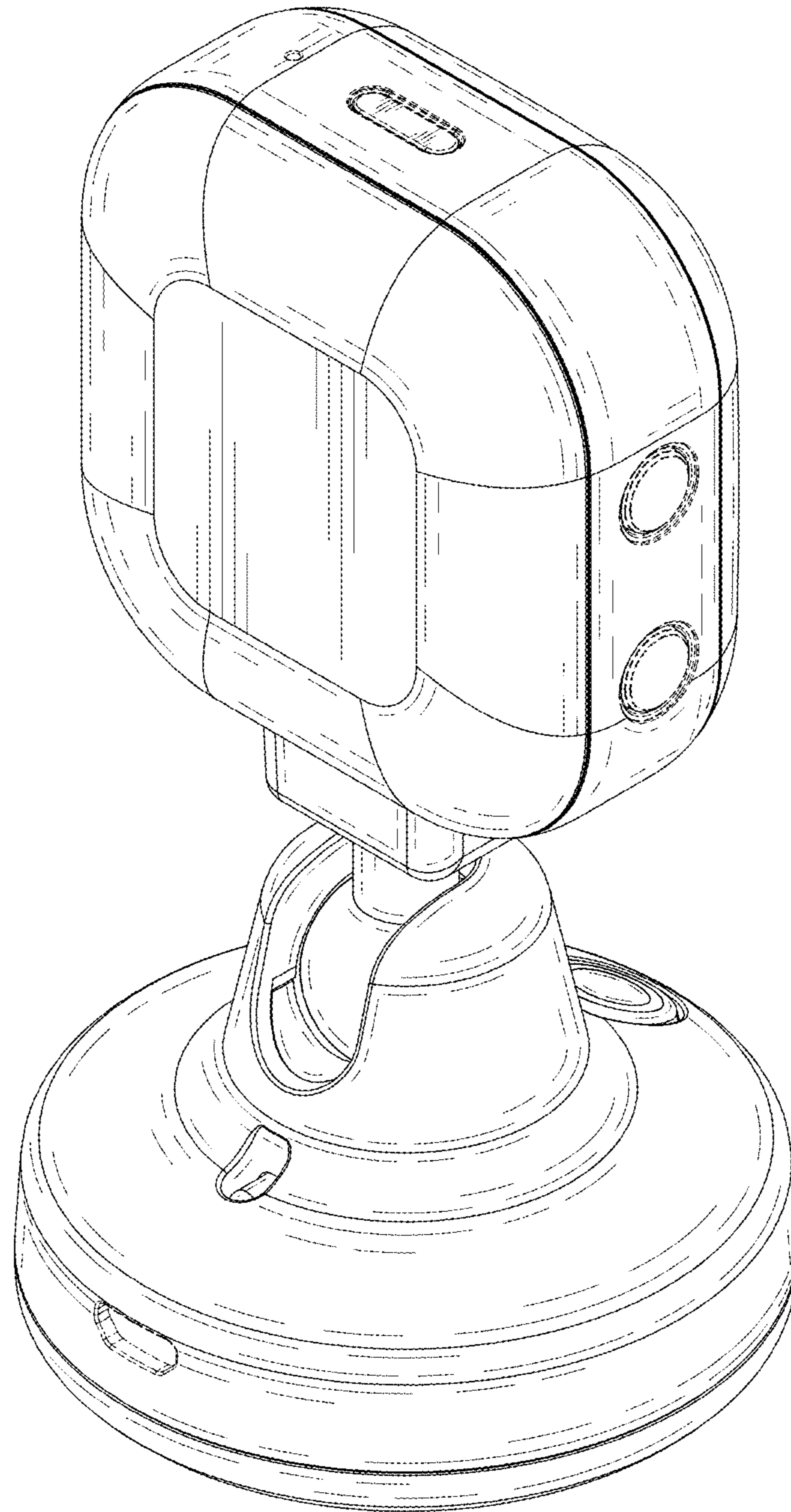


FIG. 8

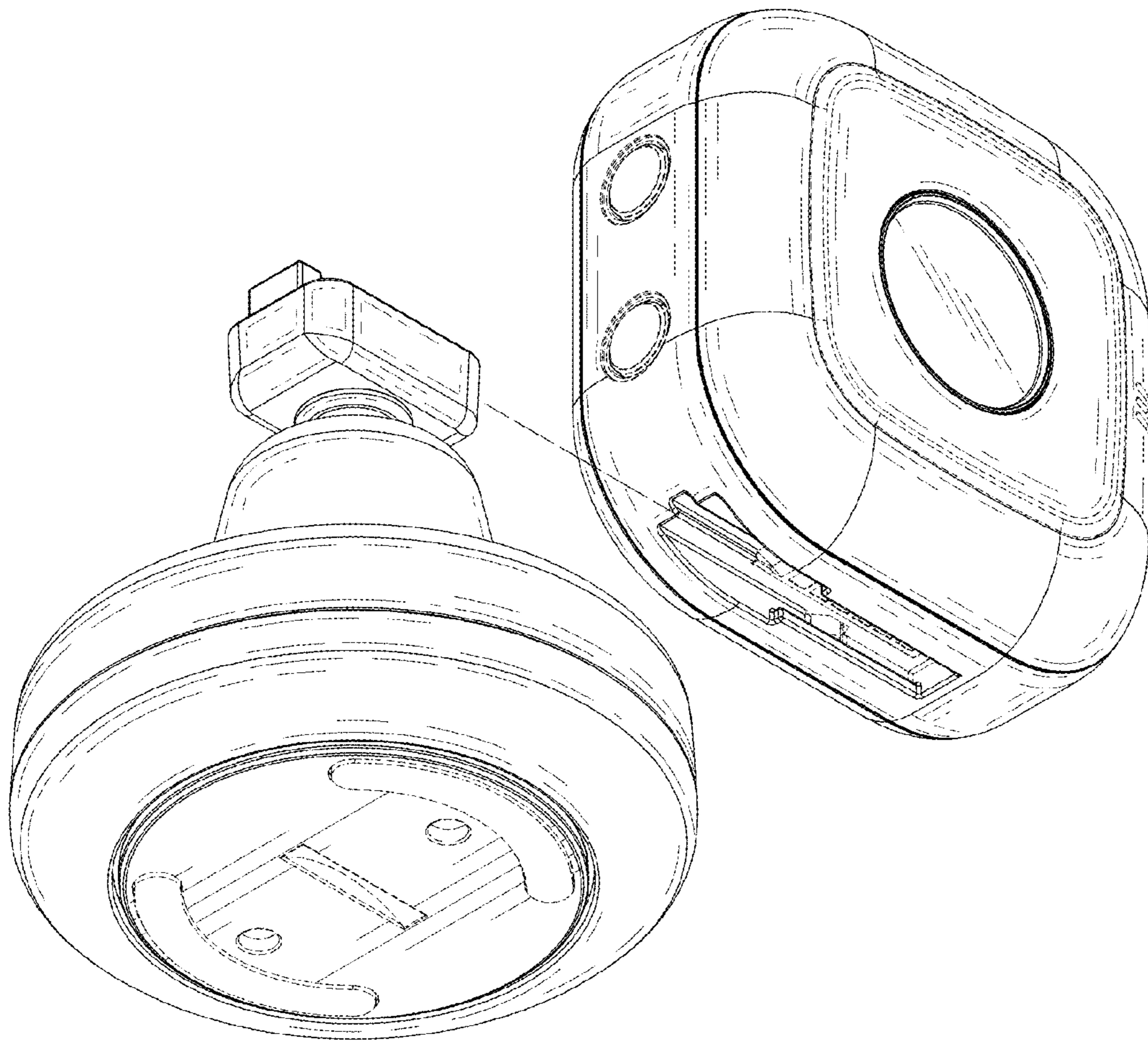


FIG.9