



US00D741931S

(12) **United States Design Patent**
Huang et al.

(10) **Patent No.:** **US D741,931 S**
(45) **Date of Patent:** **** Oct. 27, 2015**

(54) **CAMERA**

(71) Applicant: **Chicony Electronics Co., Ltd.**, New Taipei (TW)

(72) Inventors: **Wei-Cheng Huang**, New Taipei (TW);
Chien-Hao Liao, New Taipei (TW)

(73) Assignee: **CHICONY ELECTRONICS CO., LTD.**, New Taipei (TW)

(**) Term: **14 Years**

(21) Appl. No.: **29/500,231**

(22) Filed: **Aug. 22, 2014**

(51) **LOC (10) Cl.** **16-01**

(52) **U.S. Cl.**

USPC **D16/202**

(58) **Field of Classification Search**

USPC D16/200, 202, 203, 208, 218, 242;
348/373-374; 396/419, 427, 535-541
CPC . H04N 5/2251; H04N 5/2252; H04N 5/2253;
H04N 5/2254; H04N 2101/00

See application file for complete search history.

(56) **References Cited**

U.S. PATENT DOCUMENTS

D430,587 S * 9/2000 Summit D16/202
6,503,000 B1 * 1/2003 Kim 396/427
D500,067 S * 12/2004 Liu D16/202

D558,249 S * 12/2007 Hsia D16/203
D562,868 S * 2/2008 Cho et al. D16/202
D573,622 S * 7/2008 Fisher et al. D16/202
D637,173 S * 5/2011 Elkerbout D14/159
D661,718 S * 6/2012 Tang D16/242
D719,202 S * 12/2014 Lee D16/202
D728,654 S * 5/2015 Lee D16/202
D730,966 S * 6/2015 Liu D16/202
2005/0247845 A1 * 11/2005 Li et al. 248/918

* cited by examiner

Primary Examiner — Adir Aronovich

(74) *Attorney, Agent, or Firm* — Chun-Ming Shih; HDLS IPR Services

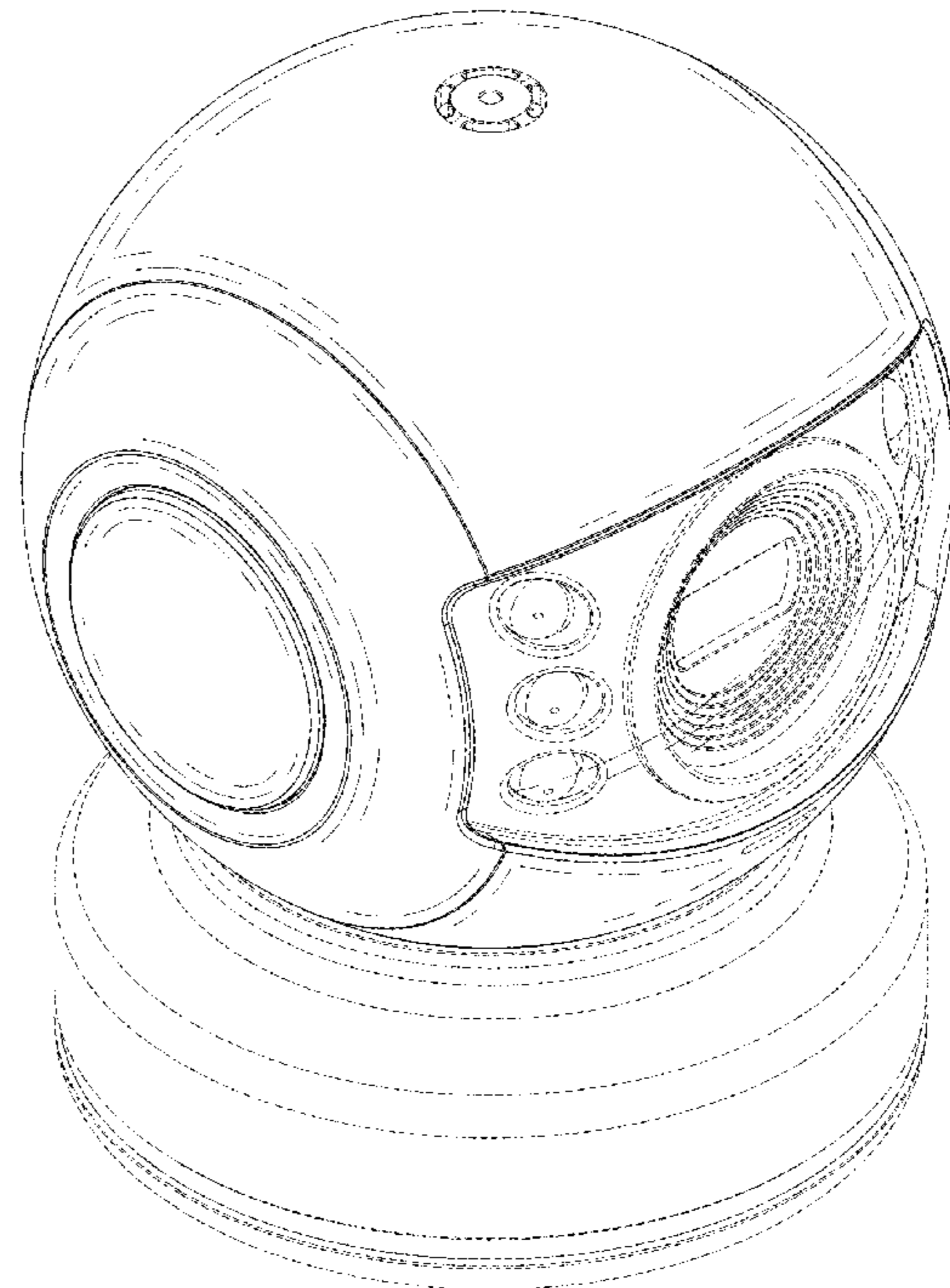
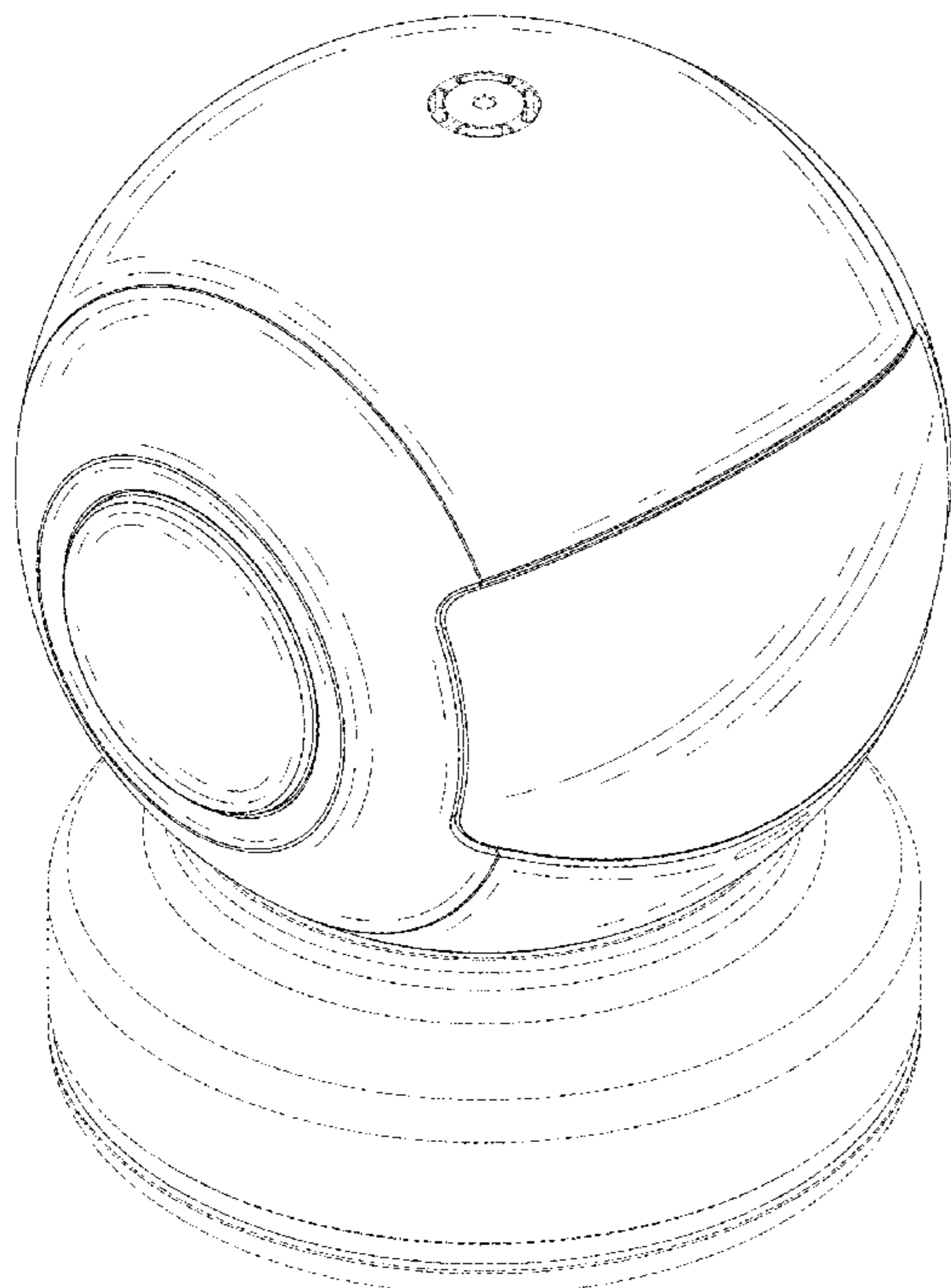
(57) **CLAIM**

The ornamental design for a camera, as shown and described.

DESCRIPTION

FIG. 1 is a front and left perspective view of a camera showing our new design;
FIG. 2 is a front view thereof;
FIG. 3 is a rear view thereof;
FIG. 4 is a left side view thereof;
FIG. 5 is a right side view thereof;
FIG. 6 is a top view thereof;
FIG. 7 is a bottom view thereof; and,
FIG. 8 is a front and left perspective view of the camera, with a lens cover in an open position.
The broken lines shown represent unclaimed subject matter and form no part of the claimed design.

1 Claim, 8 Drawing Sheets



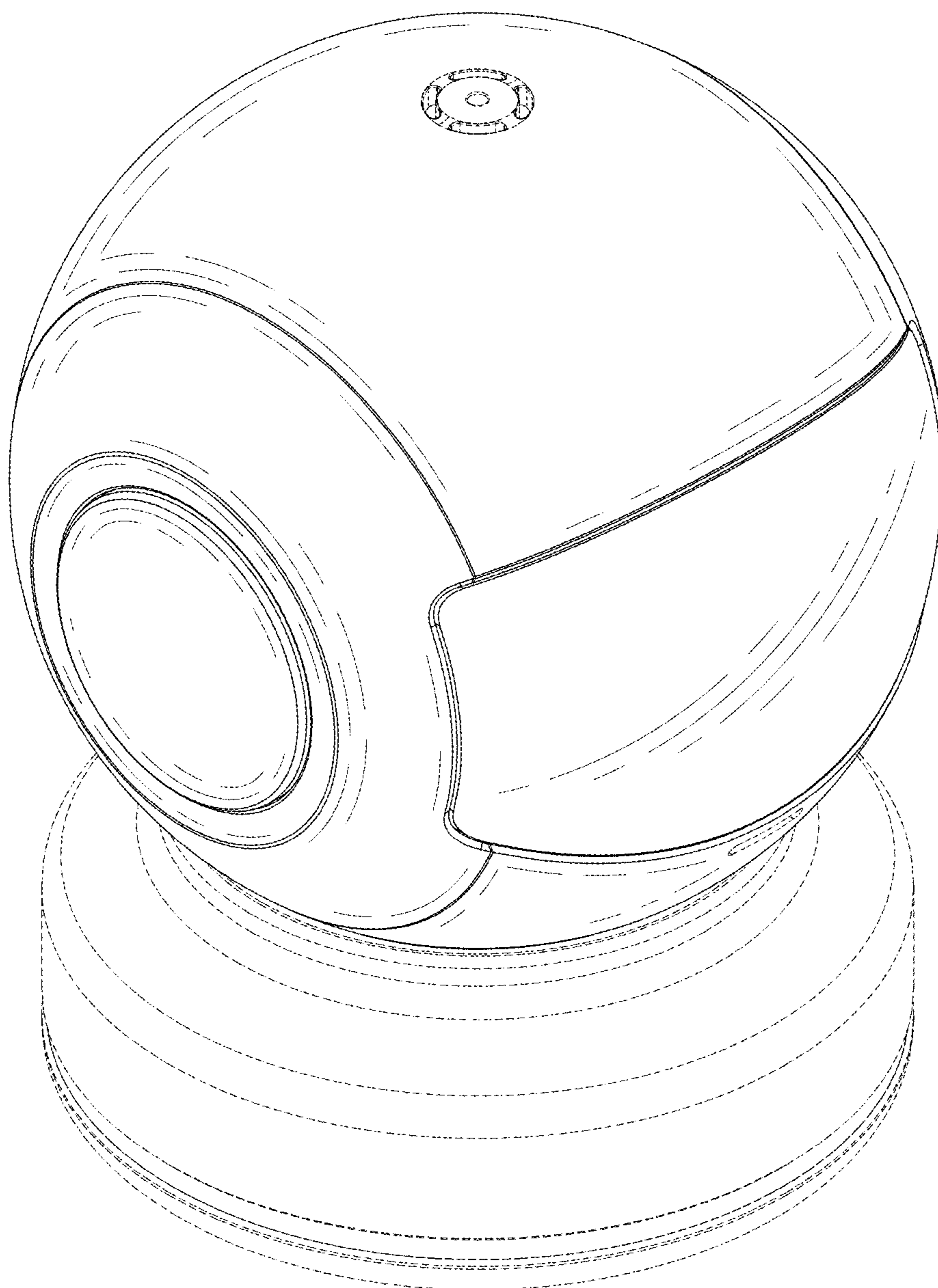


FIG.1

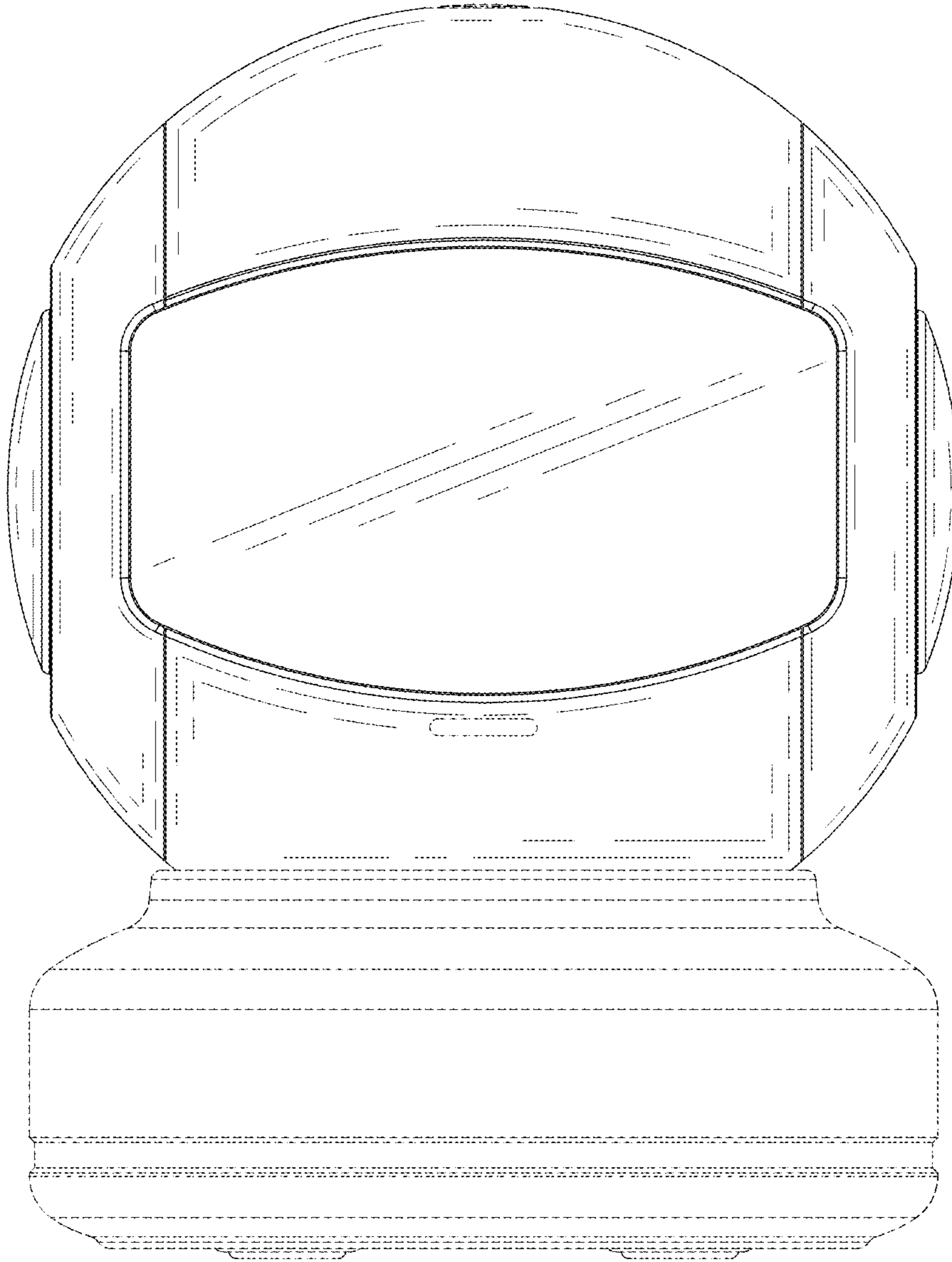


FIG.2

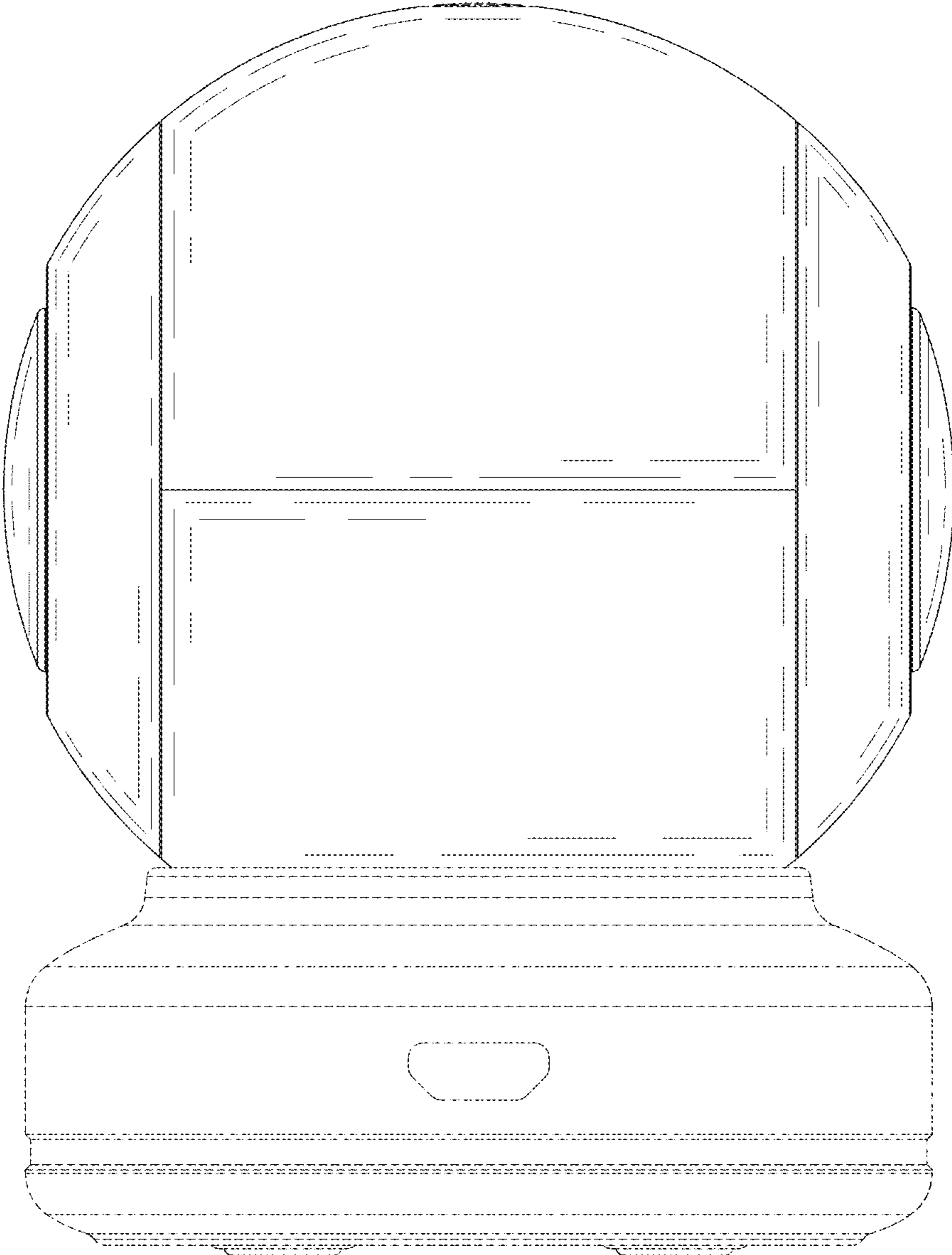


FIG.3

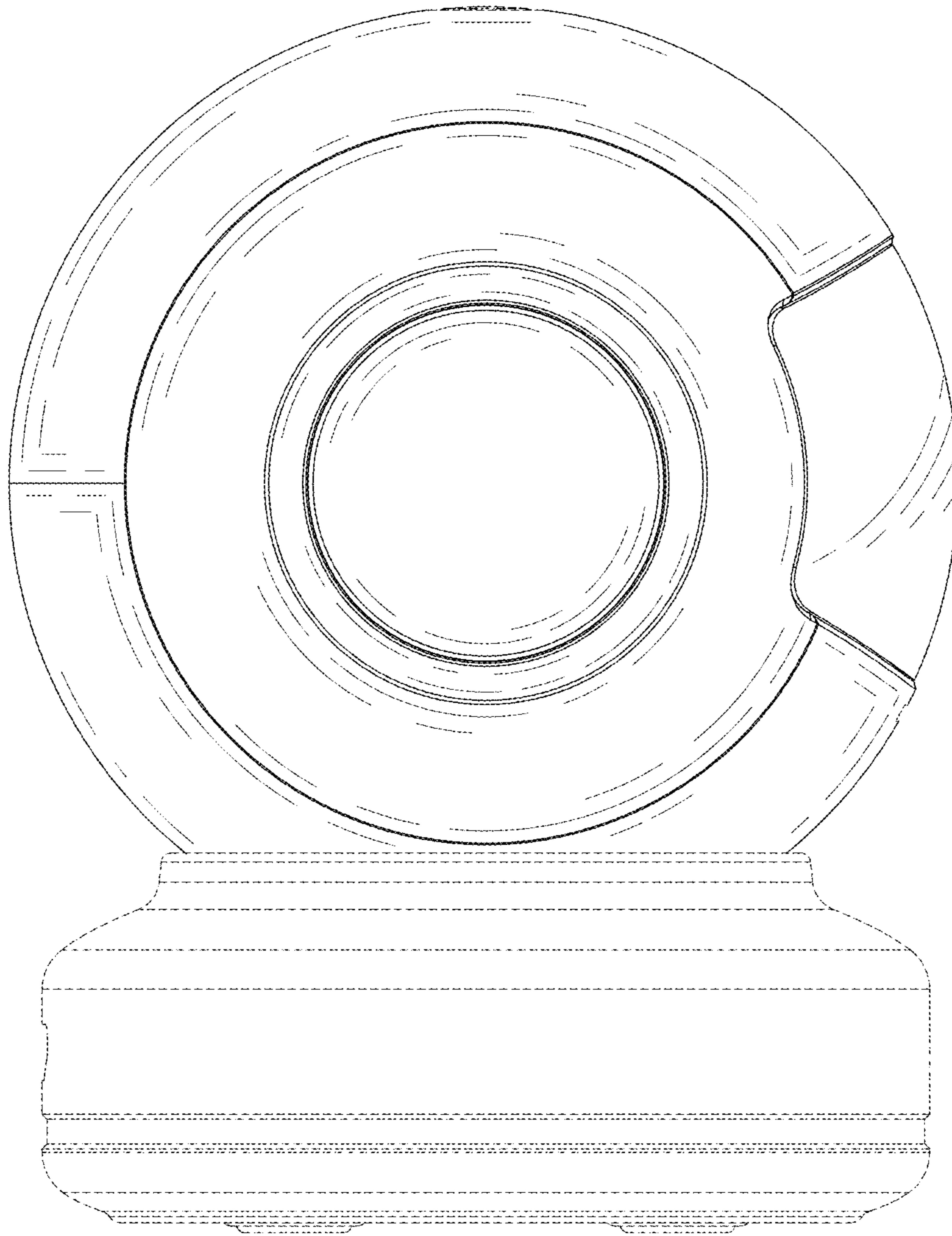


FIG.4

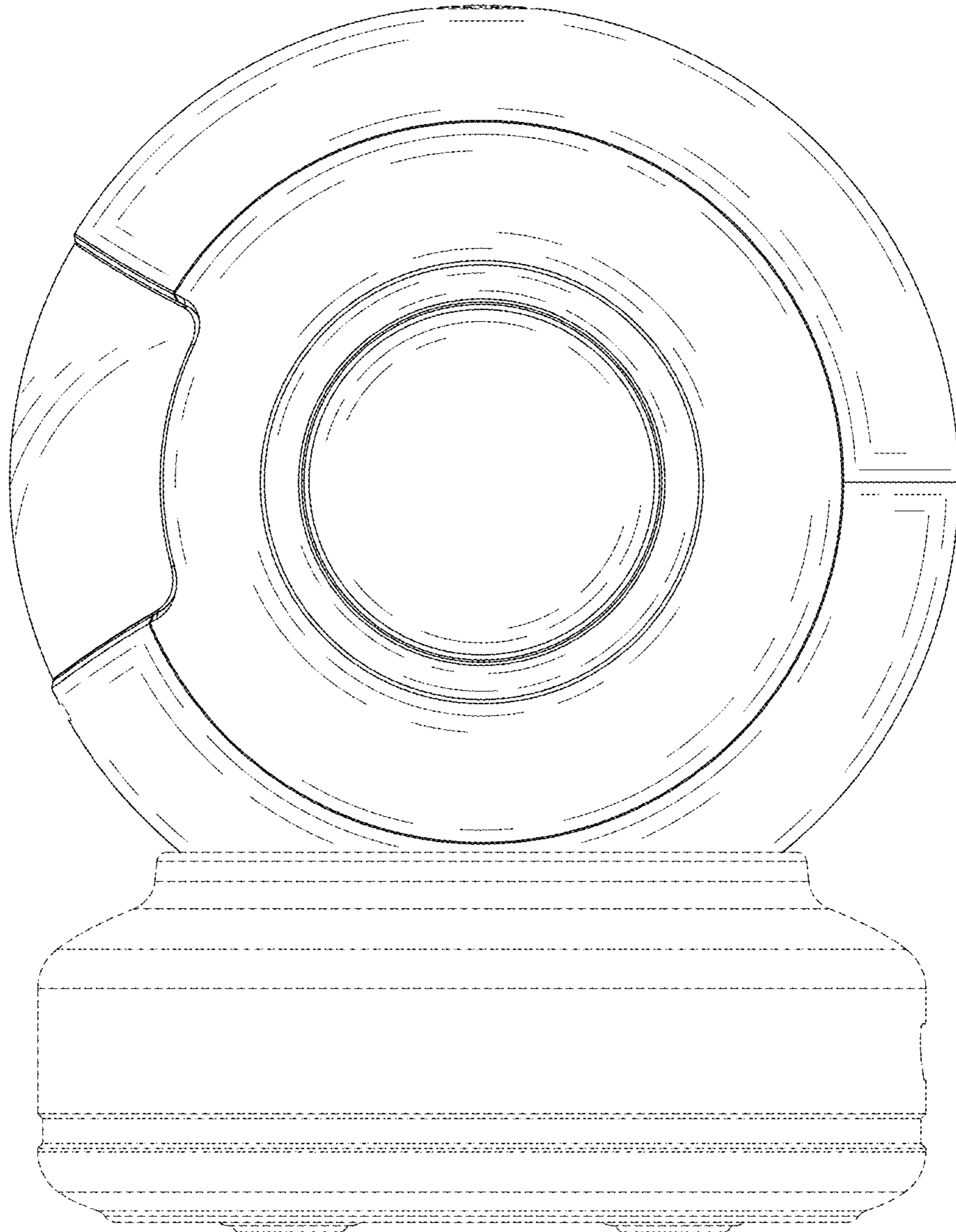


FIG.5

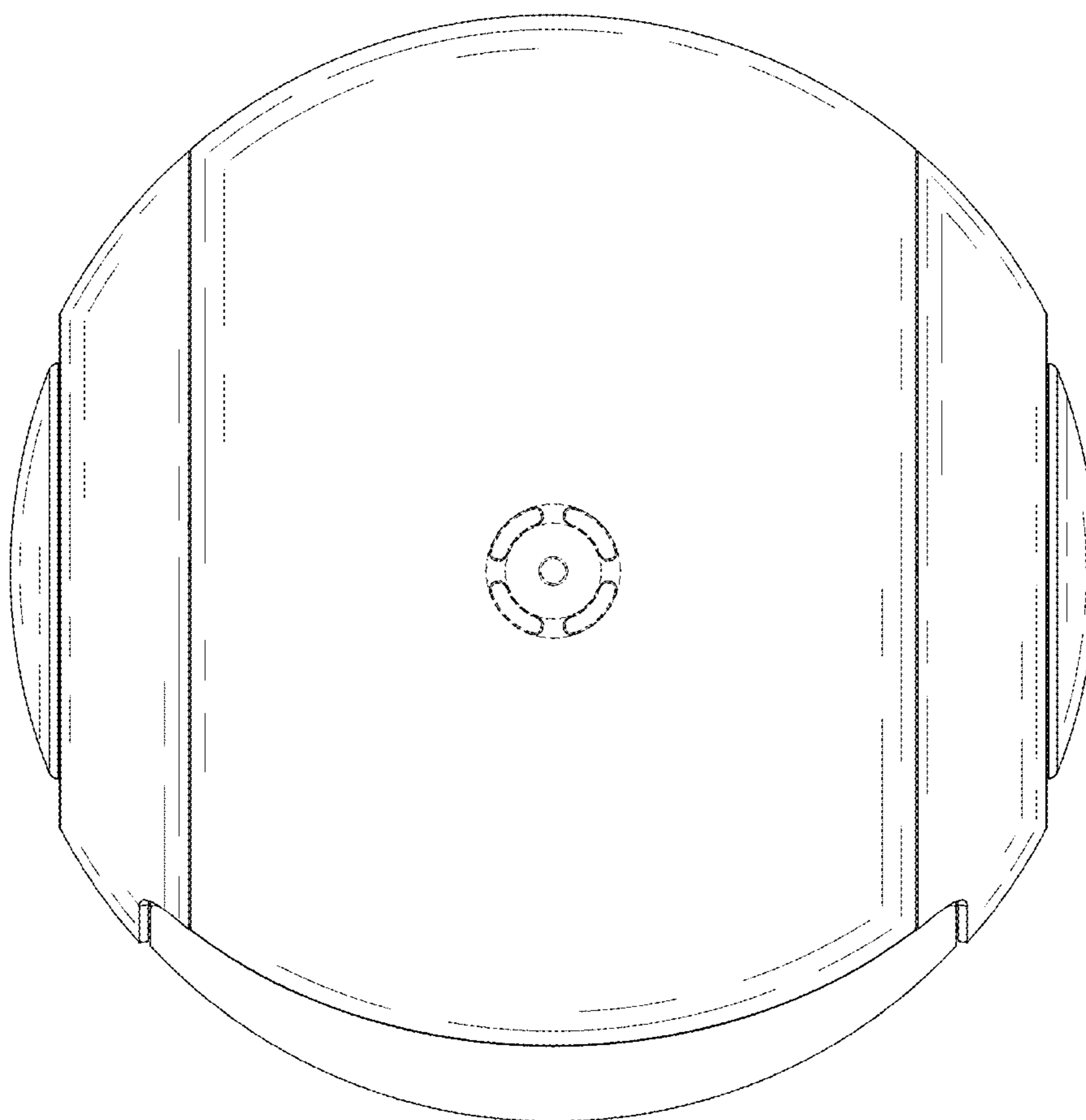


FIG.6

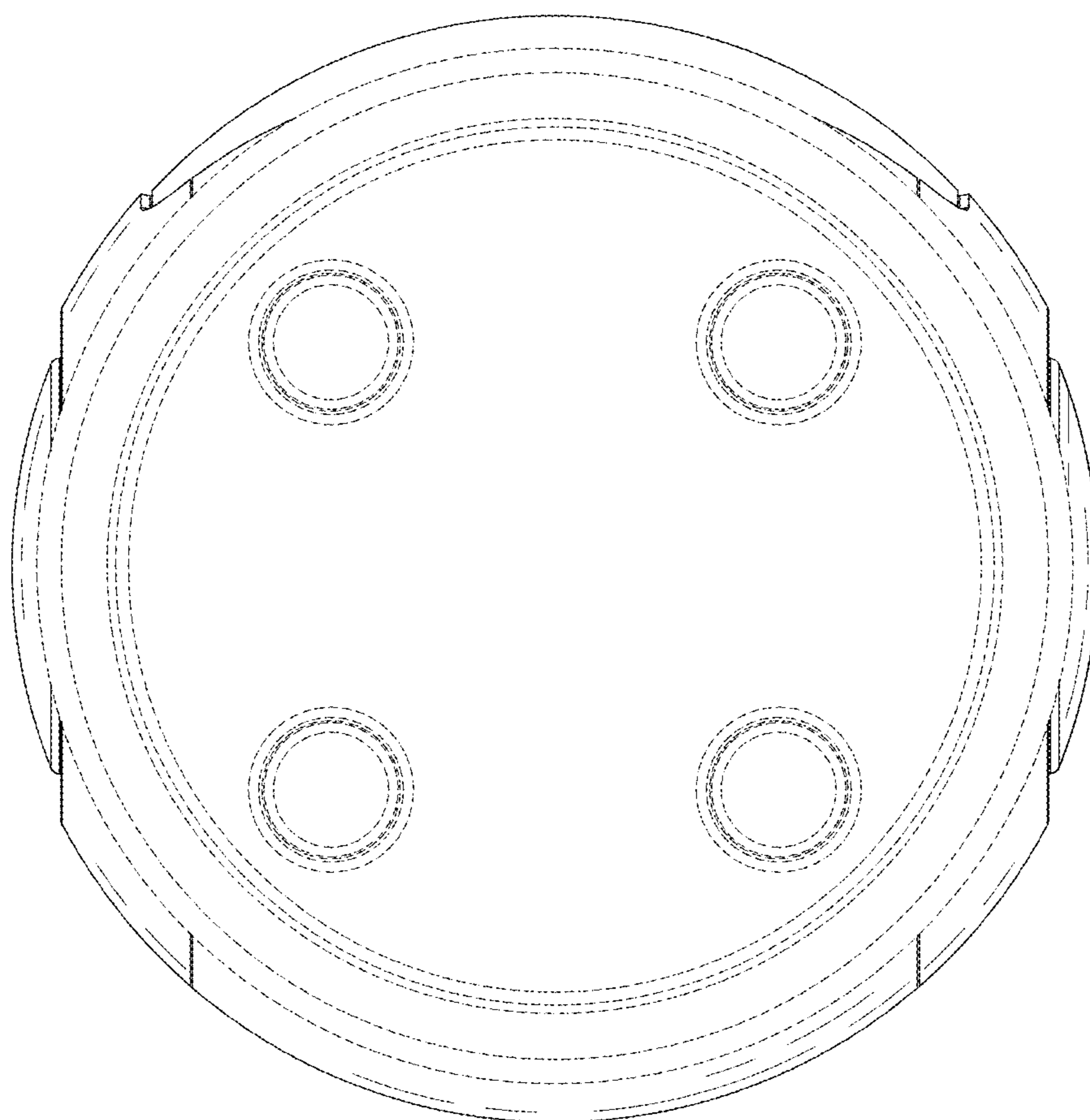


FIG.7

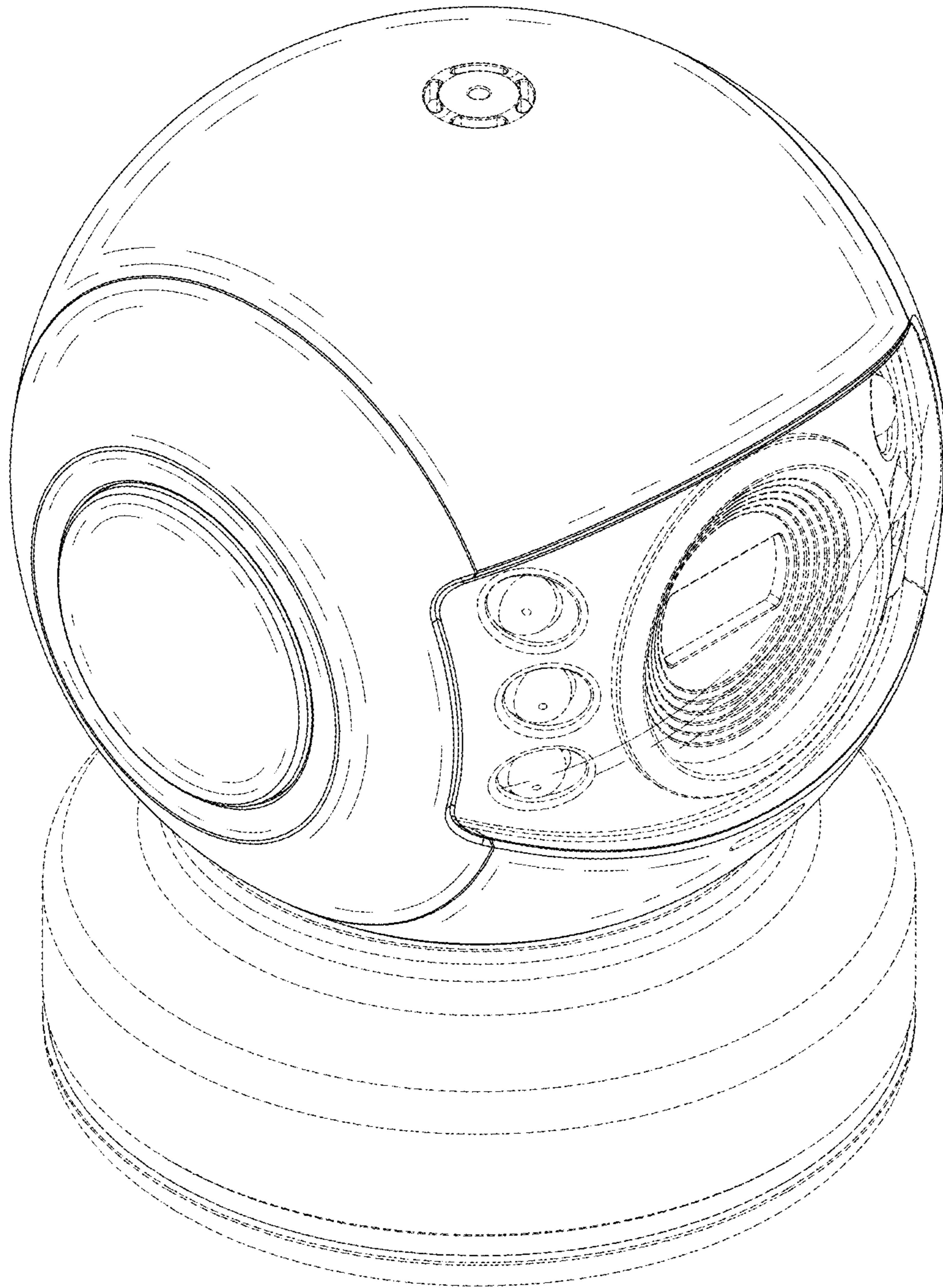


FIG.8