



US00D741930S

(12) **United States Design Patent**
Kwon et al.

(10) **Patent No.:** **US D741,930 S**
(45) **Date of Patent:** **** Oct. 27, 2015**

(54) **CAMERA**

(71) Applicant: **Samsung Electronics Co., Ltd.**,
Suwon-si, Gyeonggi-do (KR)
(72) Inventors: **Ki-Jin Kwon**, Suwon-si (KR);
Eui-Hoon Kim, Uiwang-si (KR)
(73) Assignee: **Samsung Electronics Co., Ltd.**,
Suwon-Si (KR)

(**) Term: **14 Years**
(21) Appl. No.: **29/489,295**
(22) Filed: **Apr. 29, 2014**

(30) **Foreign Application Priority Data**
Jan. 3, 2014 (KR) 30-2014-0000356
(51) **LOC (10) Cl.** **16-01**
(52) **U.S. Cl.**
USPC **D16/202**; D16/219
(58) **Field of Classification Search**
USPC D16/200, 202, 204, 218, 219;
348/373-376; 396/535-541
CPC . H04N 5/2251; H04N 5/2252; H04N 5/2253;
H04N 5/2254; H04N 2101/00
See application file for complete search history.

(56) **References Cited**

U.S. PATENT DOCUMENTS

7,929,859	B2 *	4/2011	Saiki	396/543
D653,277	S *	1/2012	Katsuraku et al.	D16/219
D657,411	S *	4/2012	Hibi et al.	D16/219
D689,109	S *	9/2013	Kim et al.	D16/202
D701,892	S *	4/2014	Jang et al.	D16/202
D723,088	S *	2/2015	Jang et al.	D16/219
D726,801	S *	4/2015	Kim	D16/219

* cited by examiner

Primary Examiner — Adir Aronovich
(74) *Attorney, Agent, or Firm* — Ladas & Parry LLP

(57) **CLAIM**

We claim the ornamental design for a camera, as shown and described.

DESCRIPTION

FIG. 1 is a front perspective view of a camera showing our new design;
FIG. 2 is a front elevation view thereof;
FIG. 3 is a rear elevation view of thereof;
FIG. 4 is a left-side elevation view thereof;
FIG. 5 is a right-side elevation view thereof;
FIG. 6 is a top plan view thereof; and,
FIG. 7 is a bottom plan view thereof.
The broken lines depict the portions of a camera in which the design is embodied and form no part of the claimed design.

1 Claim, 3 Drawing Sheets

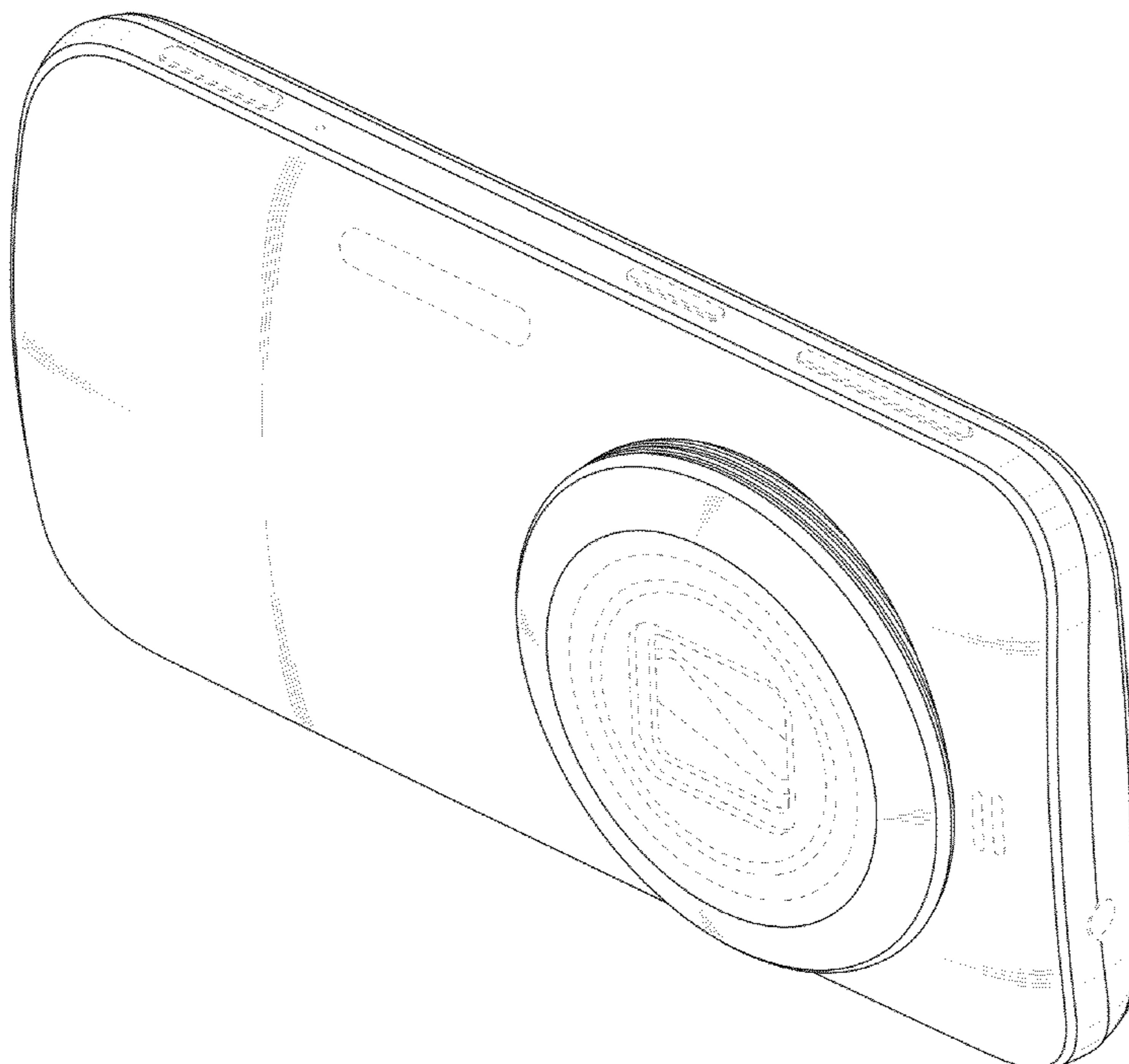


FIG. 1

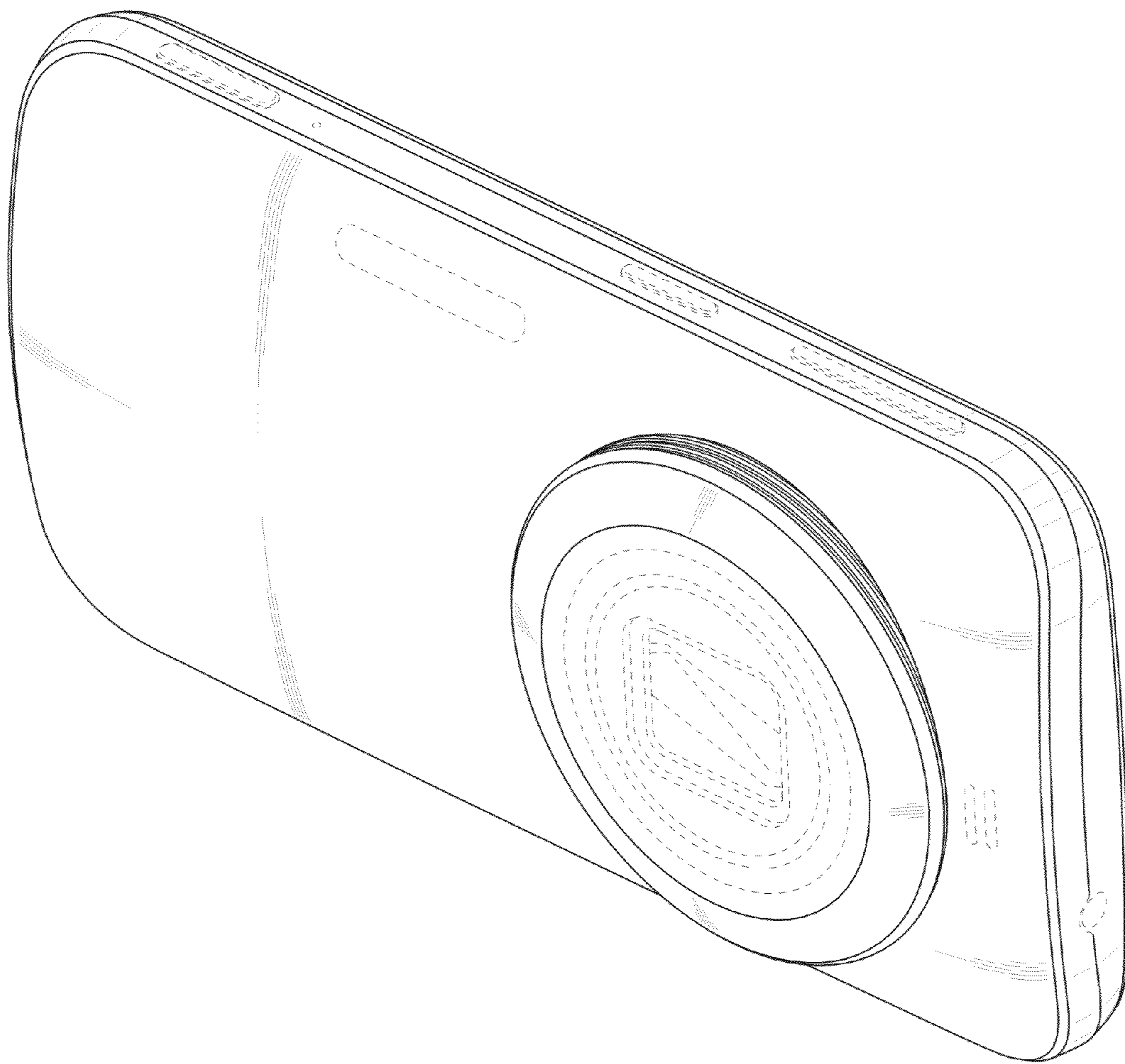


FIG.2

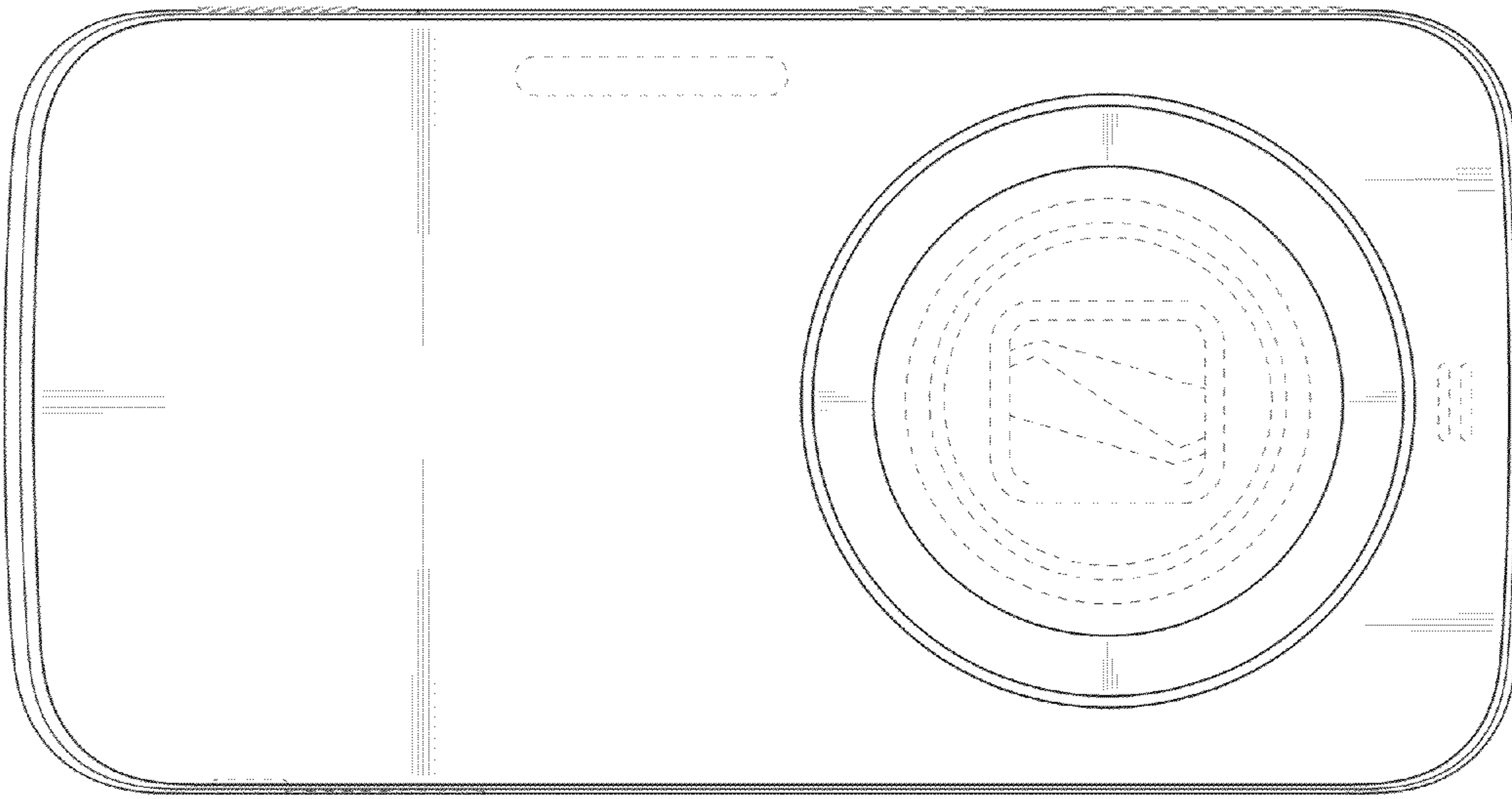


FIG.3

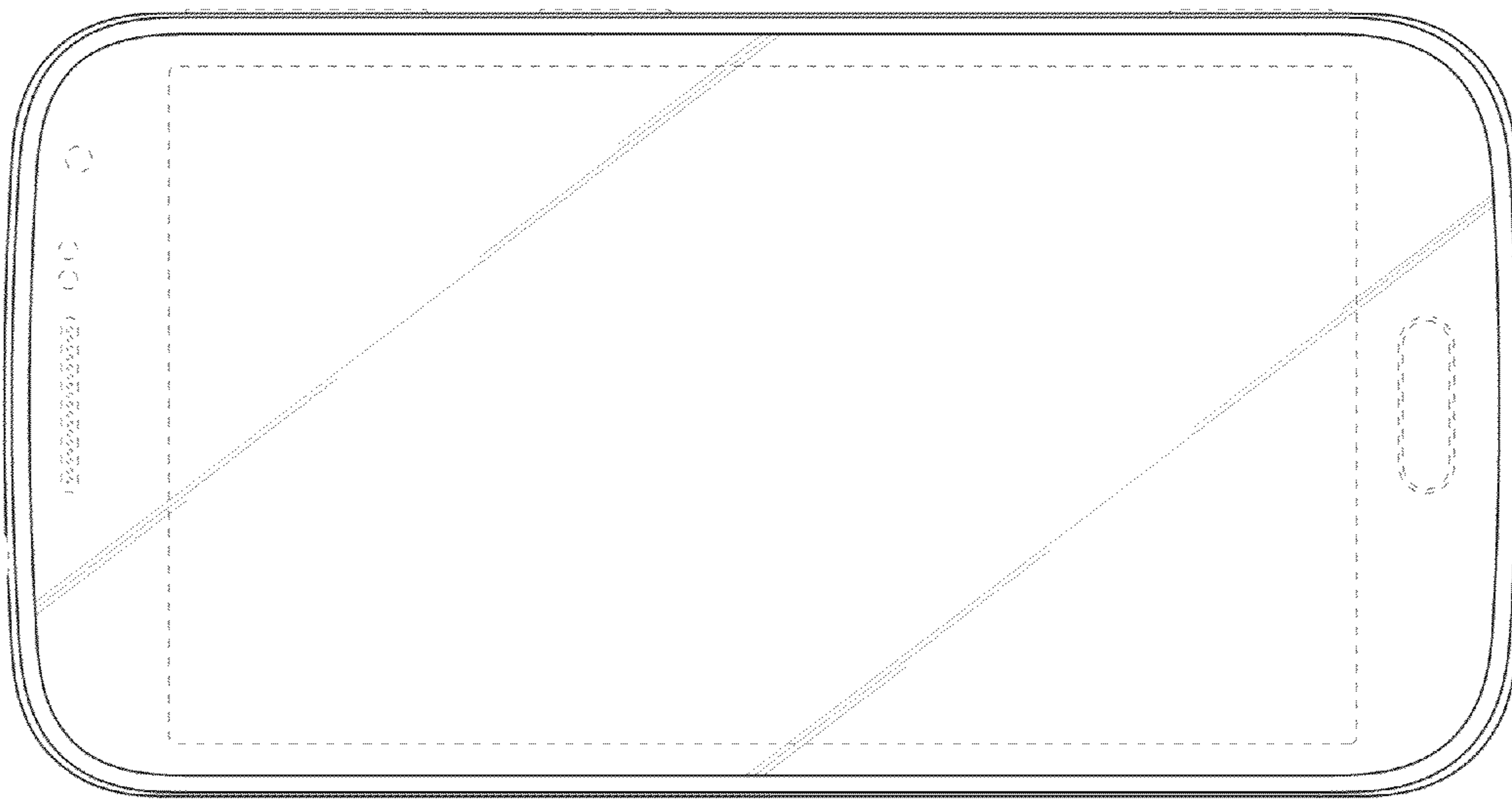


FIG.4

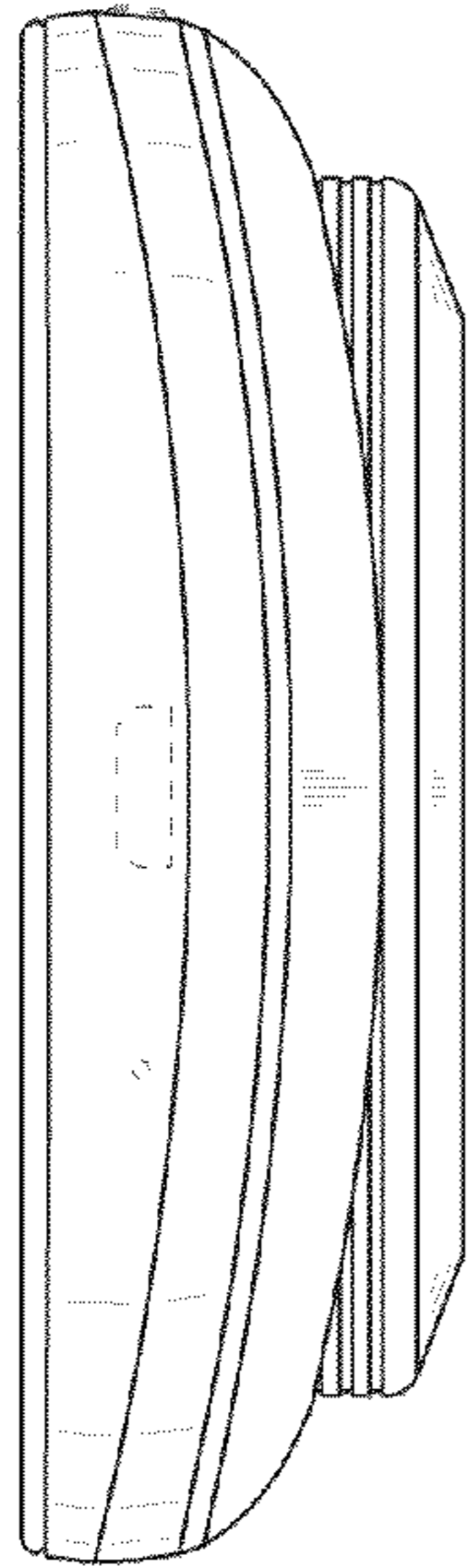


FIG.5

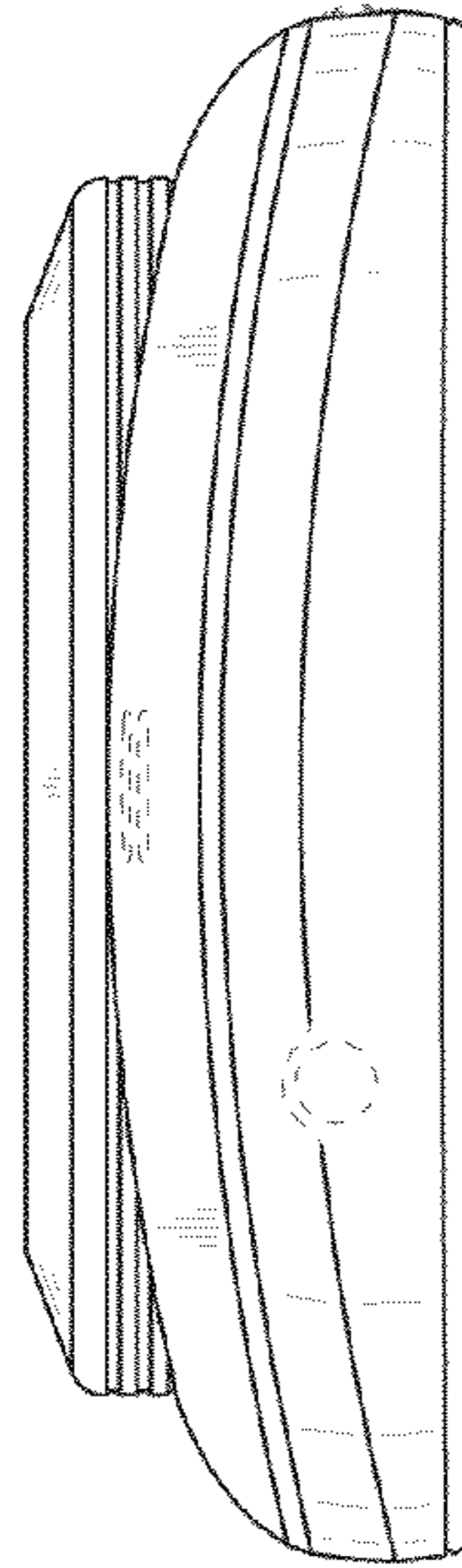


FIG.6

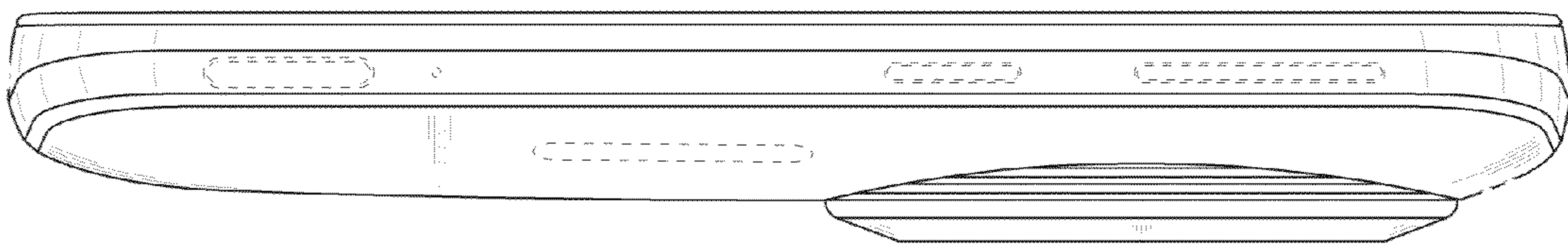


FIG.7

