



US00D741927S

(12) **United States Design Patent**
Li et al.

(10) **Patent No.:** **US D741,927 S**
(45) **Date of Patent:** **** Oct. 27, 2015**

(54) **MONOCHROMATOR HOUSING**

(71) Applicants: **Yue Li**, Shanghai (CN); **Mark Mao**, Shanghai (CN); **Fan Zhao**, Shanghai (CN); **Thomas Coerper**, Dusseldorf (DE)

(72) Inventors: **Yue Li**, Shanghai (CN); **Mark Mao**, Shanghai (CN); **Fan Zhao**, Shanghai (CN); **Thomas Coerper**, Dusseldorf (DE)

(73) Assignee: **Hach Company**, Loveland, CO (US)

(**) Term: **14 Years**

(21) Appl. No.: **29/475,606**

(22) Filed: **Dec. 4, 2013**

(51) **LOC (10) Cl.** **16-99**

(52) **U.S. Cl.**
USPC **D16/130; D16/137**

(58) **Field of Classification Search**
USPC D16/205, 208, 211, 214, 218-220, 235, D16/237-250, 302, 303; D8/354, 363, 394, D8/395; D14/217, 251, 253, 447, 452; D10/75, 77, 78
CPC G03B 17/14; G03B 17/26; G03B 17/30; G03B 17/56; G03B 17/561-17/568; G03B 21/54; F16M 11/14; F16M 11/26; F16M 13/04; H04N 5/2254

See application file for complete search history.

(56) **References Cited**

U.S. PATENT DOCUMENTS

D424,456 S *	5/2000	Hoofnagle et al.	D10/78
D457,163 S *	5/2002	Peiker	D14/434
D552,609 S *	10/2007	Kornblum et al.	D14/412
D558,621 S *	1/2008	Rich et al.	D10/78
D698,673 S *	2/2014	Igelmund	D10/78
D711,263 S *	8/2014	Elrod	D10/78
D719,471 S *	12/2014	Gnauck	D10/78

* cited by examiner

Primary Examiner — Susan Bennett Hattan

Assistant Examiner — Vy Koenig

(74) *Attorney, Agent, or Firm* — Ference & Associates LLC

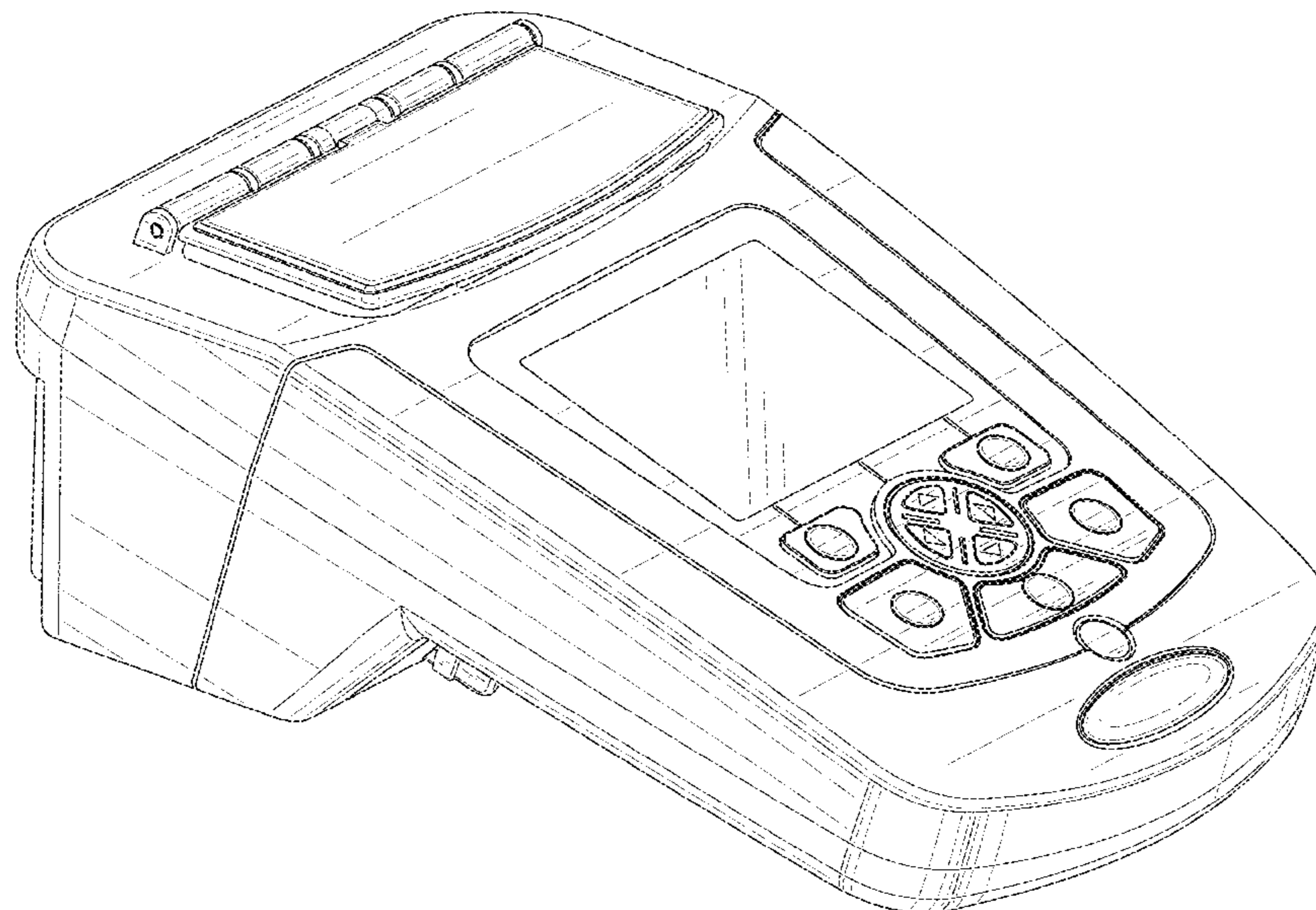
(57) **CLAIM**

The ornamental design for a monochromator housing, as shown and described.

DESCRIPTION

FIG. 1 is a perspective view of a monochromator housing. FIG. 2 is a front view of the monochromator housing of FIG. 1. FIG. 3 is a bottom view of the monochromator housing of FIG. 1. FIG. 4 is a left view of the monochromator housing of FIG. 1. FIG. 5 is a right view of the monochromator housing of FIG. 1. FIG. 6 is a bottom view of the monochromator housing of FIG. 1; and, FIG. 7 is a top view of the monochromator housing of FIG. 1. The broken lines shown represent environmental subject matter and form no part of the claimed design.

1 Claim, 7 Drawing Sheets



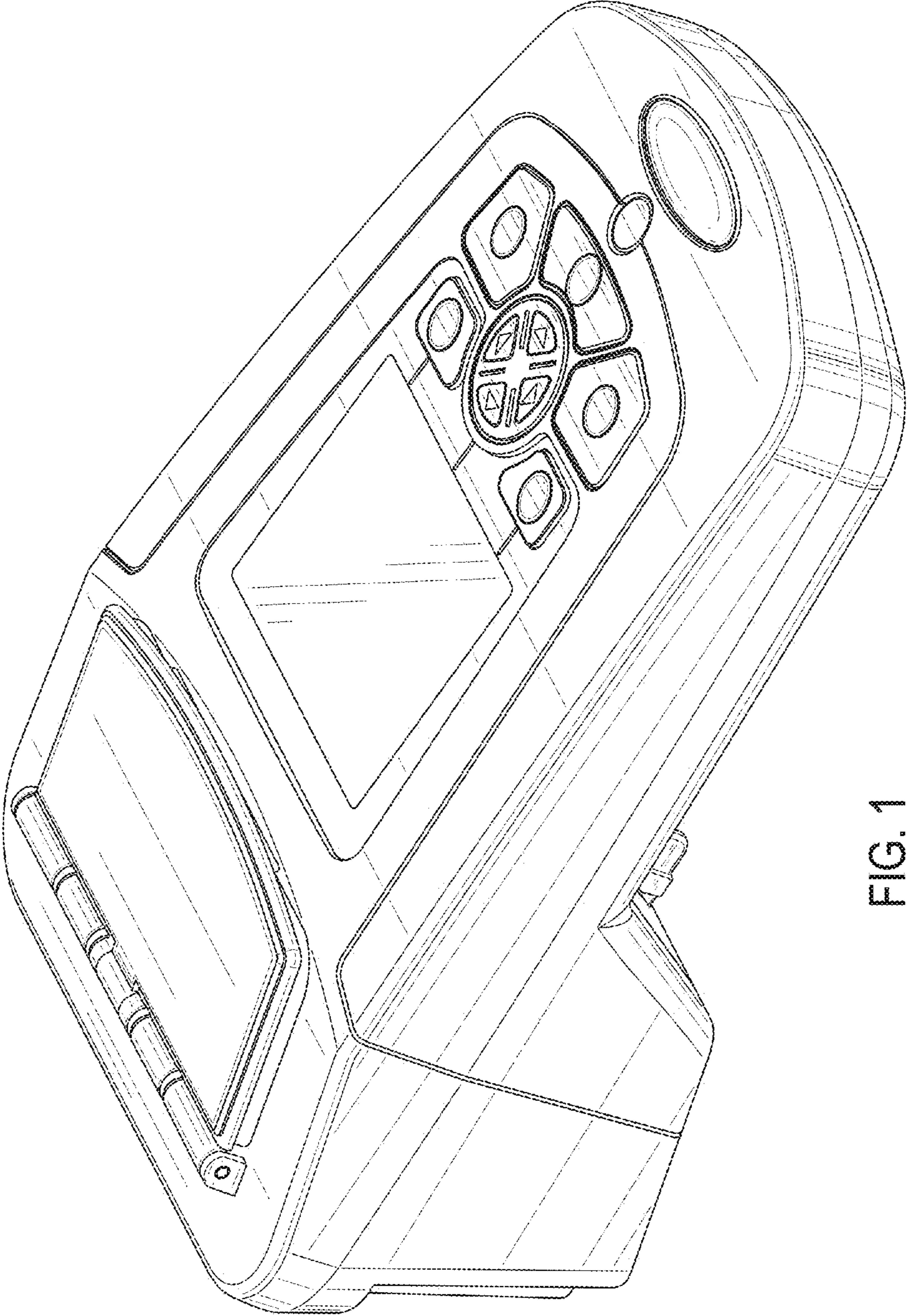


FIG. 1

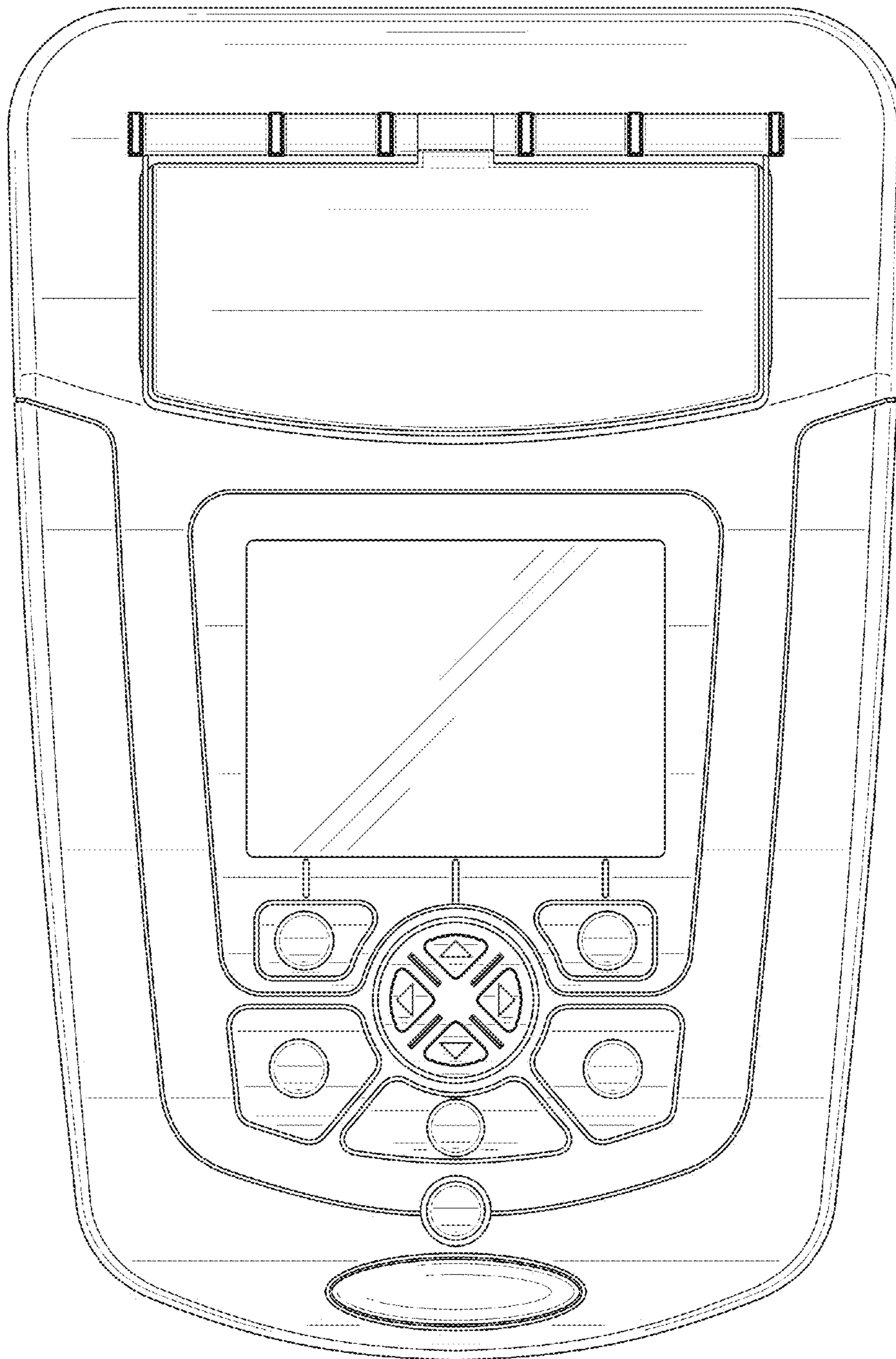


FIG. 2

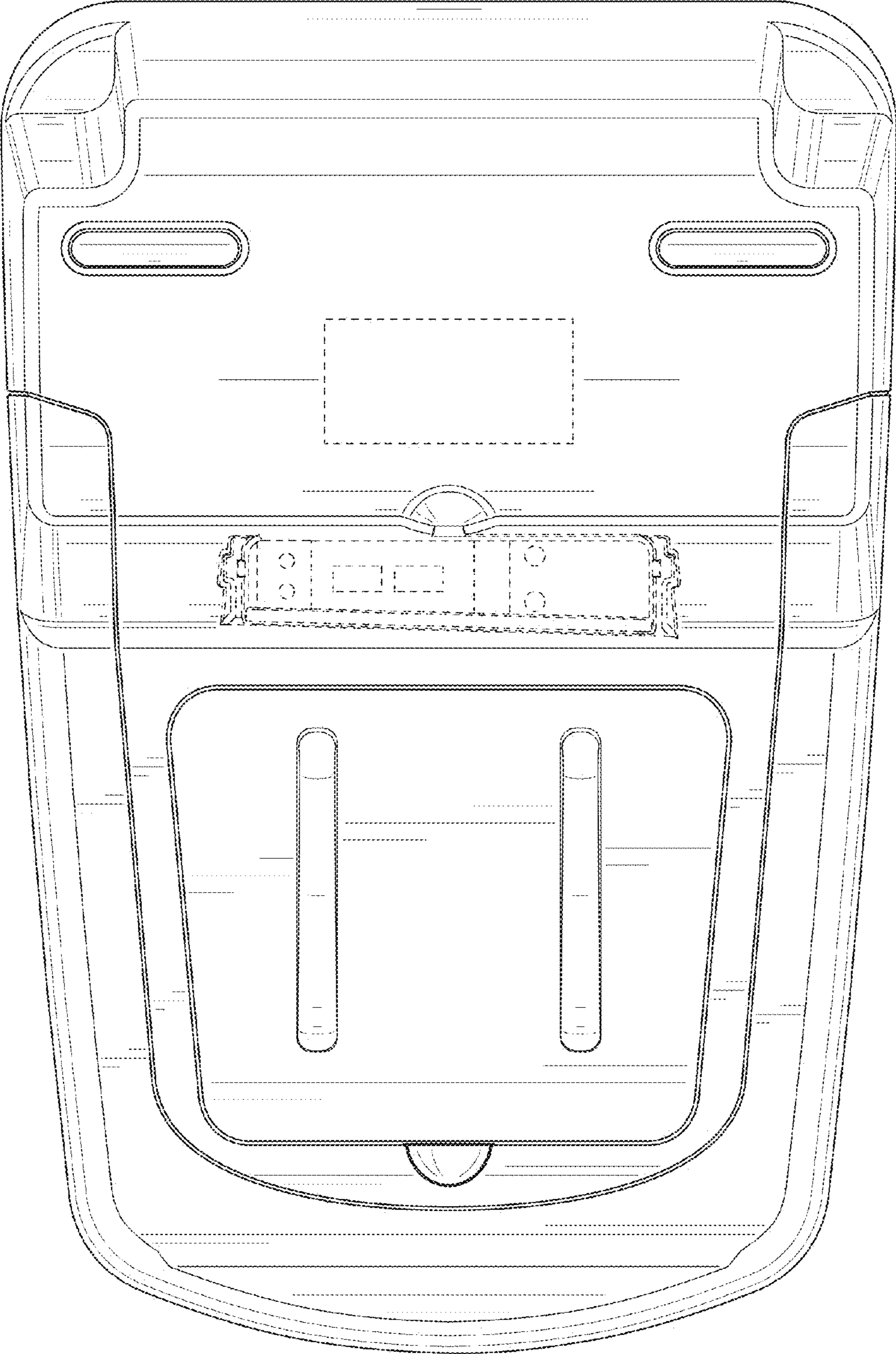


FIG. 3

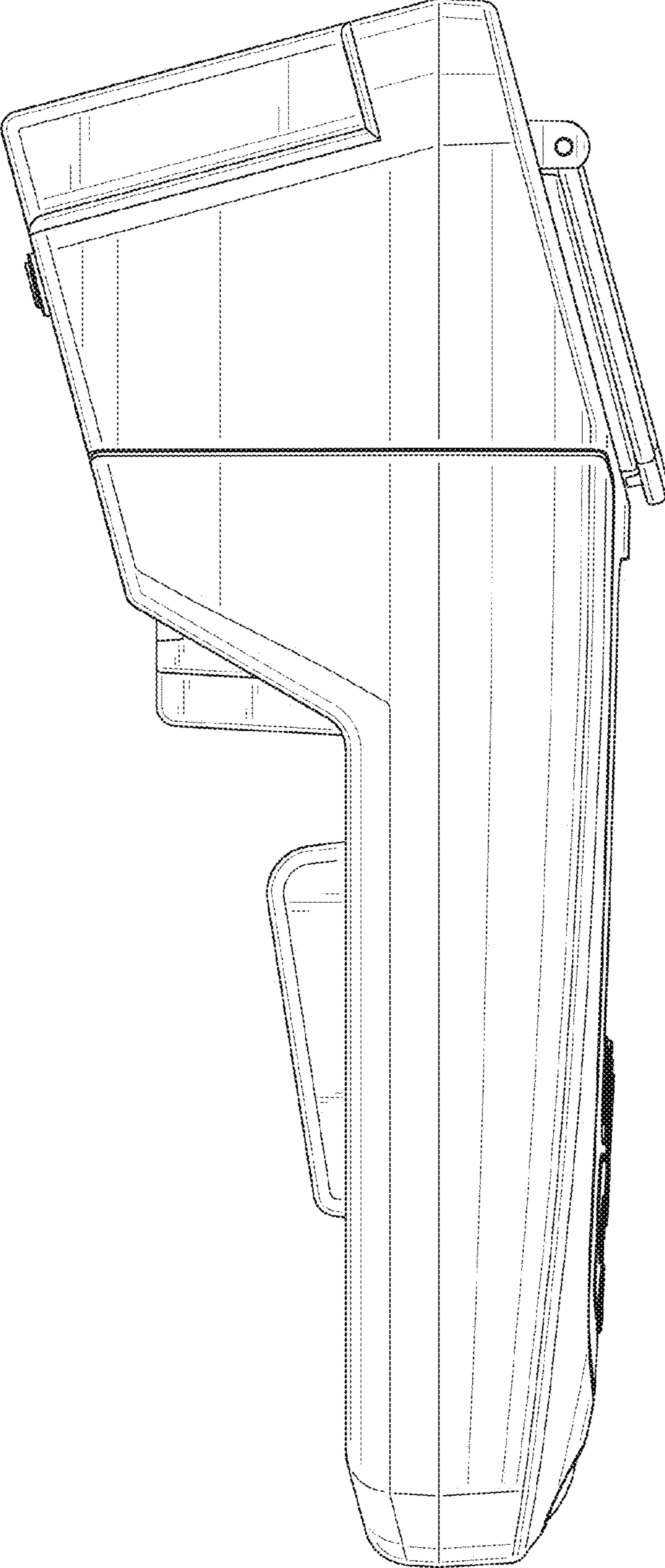


FIG. 4

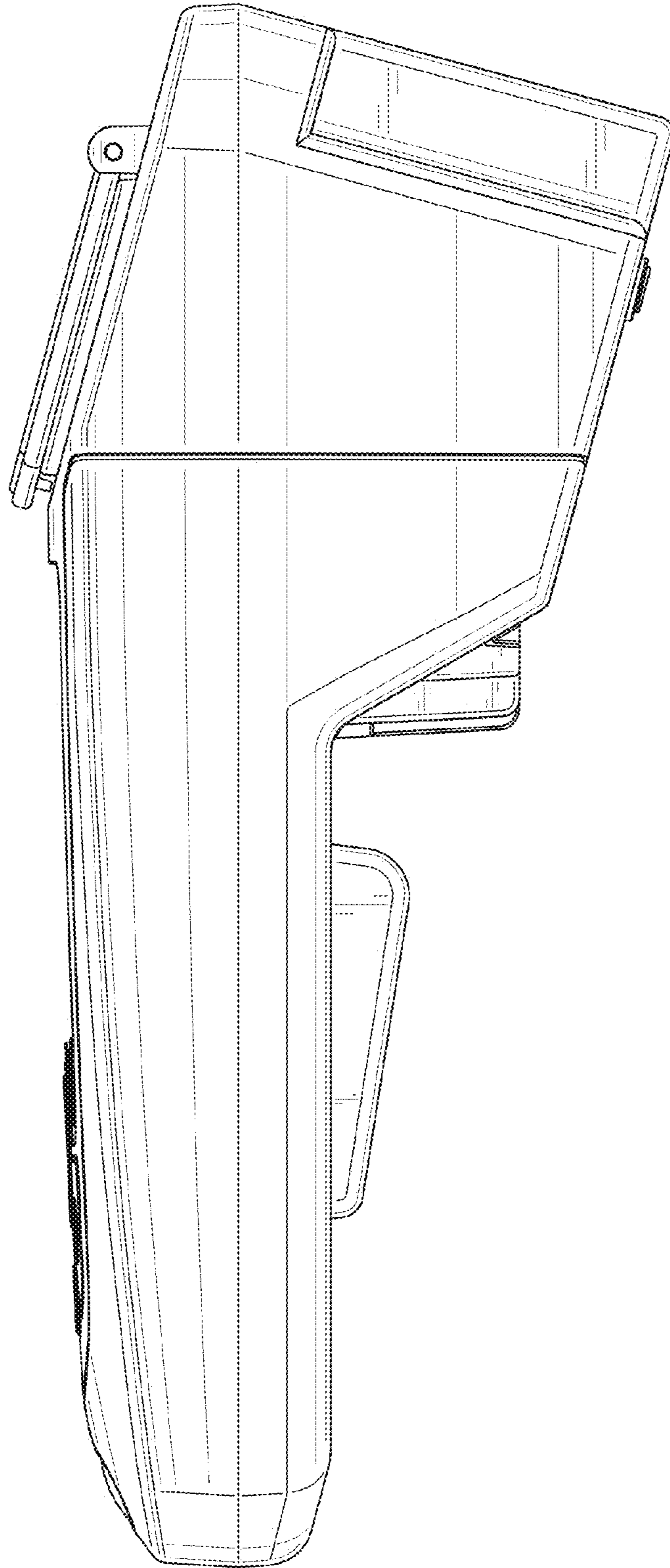


FIG. 5

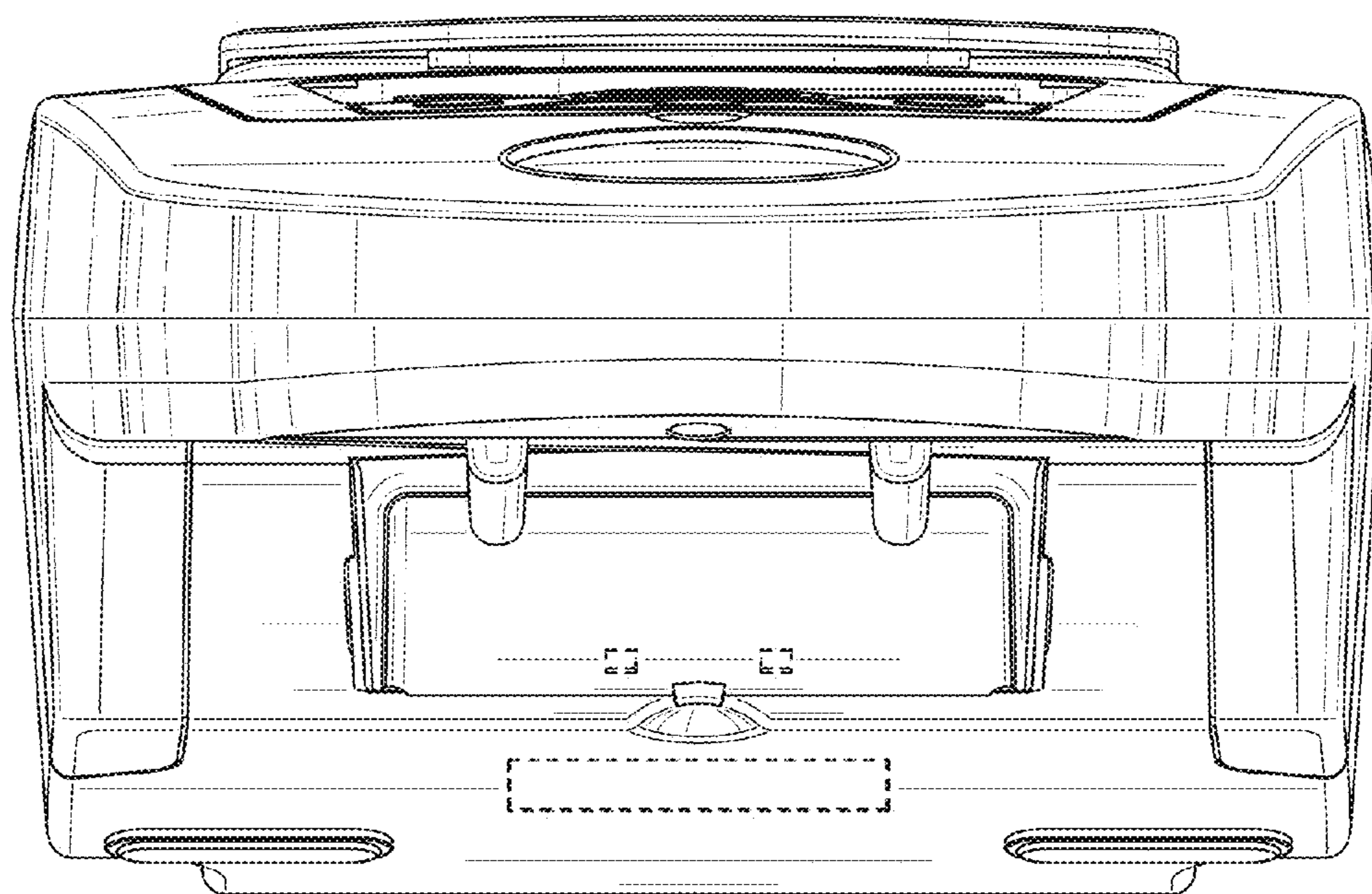


FIG. 6

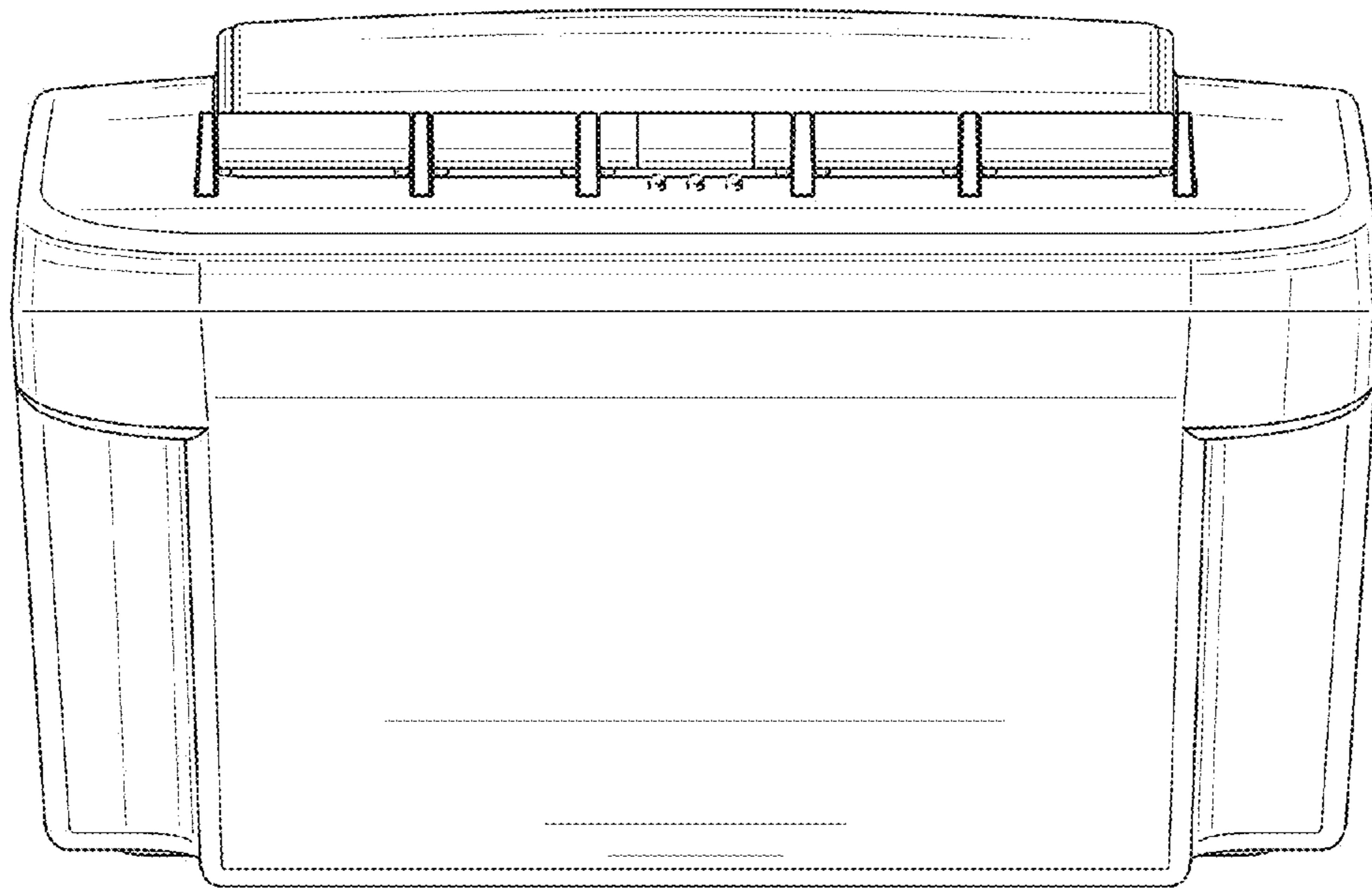


FIG. 7