



US00D741926S

(12) **United States Design Patent**
Matthews

(10) **Patent No.:** **US D741,926 S**
(45) **Date of Patent:** **** Oct. 27, 2015**

(54) **BIT BREAKER**

(71) Applicant: **Ulterra Technologies, L.P.**, Fort Worth, TX (US)

(72) Inventor: **Ryan Matthews**, Fort Worth, TX (US)

(73) Assignee: **ESCO Corporation**, Portland, OR (US)

(**) Term: **14 Years**

(21) Appl. No.: **29/490,059**

(22) Filed: **May 6, 2014**

(51) **LOC (10) Cl.** **15-09**

(52) **U.S. Cl.**
USPC **D15/140**

(58) **Field of Classification Search**
USPC D15/138, 139, 140; D8/14, 71; D3/272
CPC E21B 19/18; E21B 19/00; E21B 12/00
See application file for complete search history.

(56) **References Cited**

U.S. PATENT DOCUMENTS

2,223,600 A * 12/1940 Carleton 81/119
4,495,840 A * 1/1985 Freitag et al. 81/54

4,733,789 A 3/1988 Olson
6,311,789 B1 11/2001 Saxman
6,536,192 B2 3/2003 King et al.
7,062,991 B1 * 6/2006 West et al. 81/57.16
8,002,112 B2 * 8/2011 Weaver et al. 206/349
8,327,944 B2 12/2012 King et al.

* cited by examiner

Primary Examiner — Phillip S Hyder

(74) *Attorney, Agent, or Firm* — John Anderton

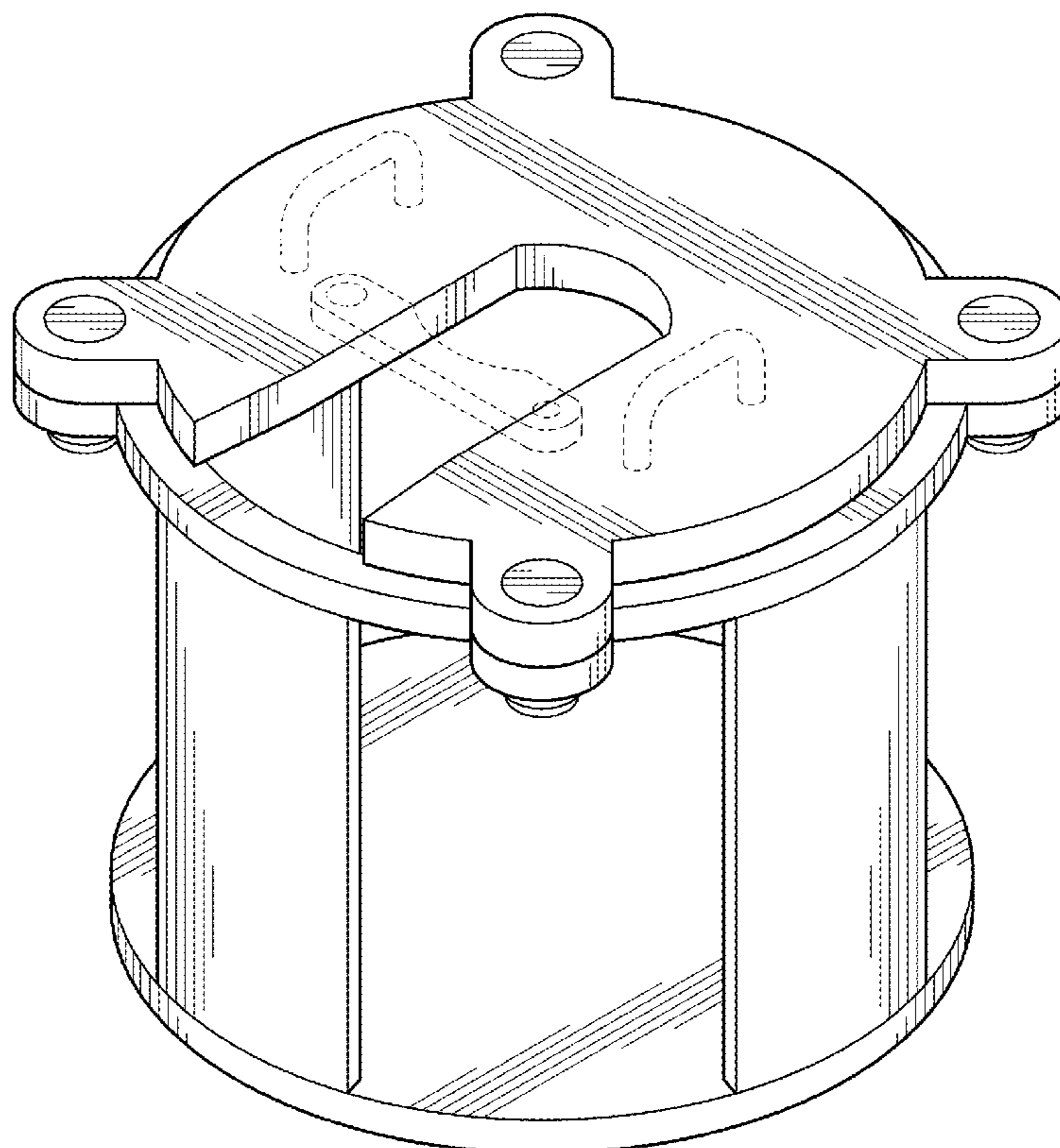
(57) **CLAIM**

The ornamental design for a bit breaker, as shown and described.

DESCRIPTION

FIG. 1 is a top perspective view of a bit breaker showing my new design, in an assembled condition; FIG. 2 is a perspective view thereof, in a disassembled condition; and, FIG. 3 is a bottom perspective view thereof in the assembled condition. The broken lines depict portions of the bit breaker in which the design is embodied that are not considered part of the claimed design.

1 Claim, 3 Drawing Sheets



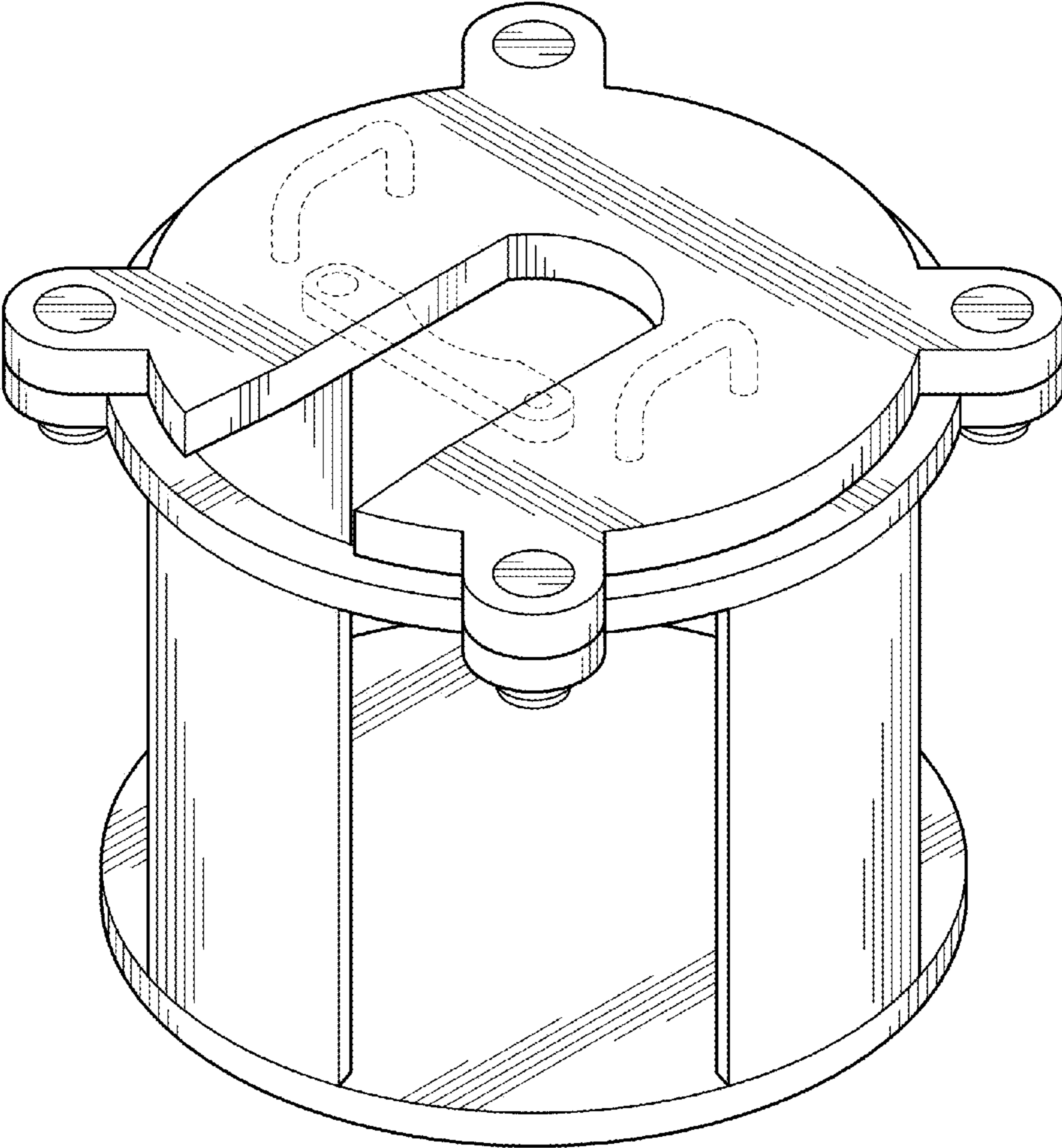


FIG. 1

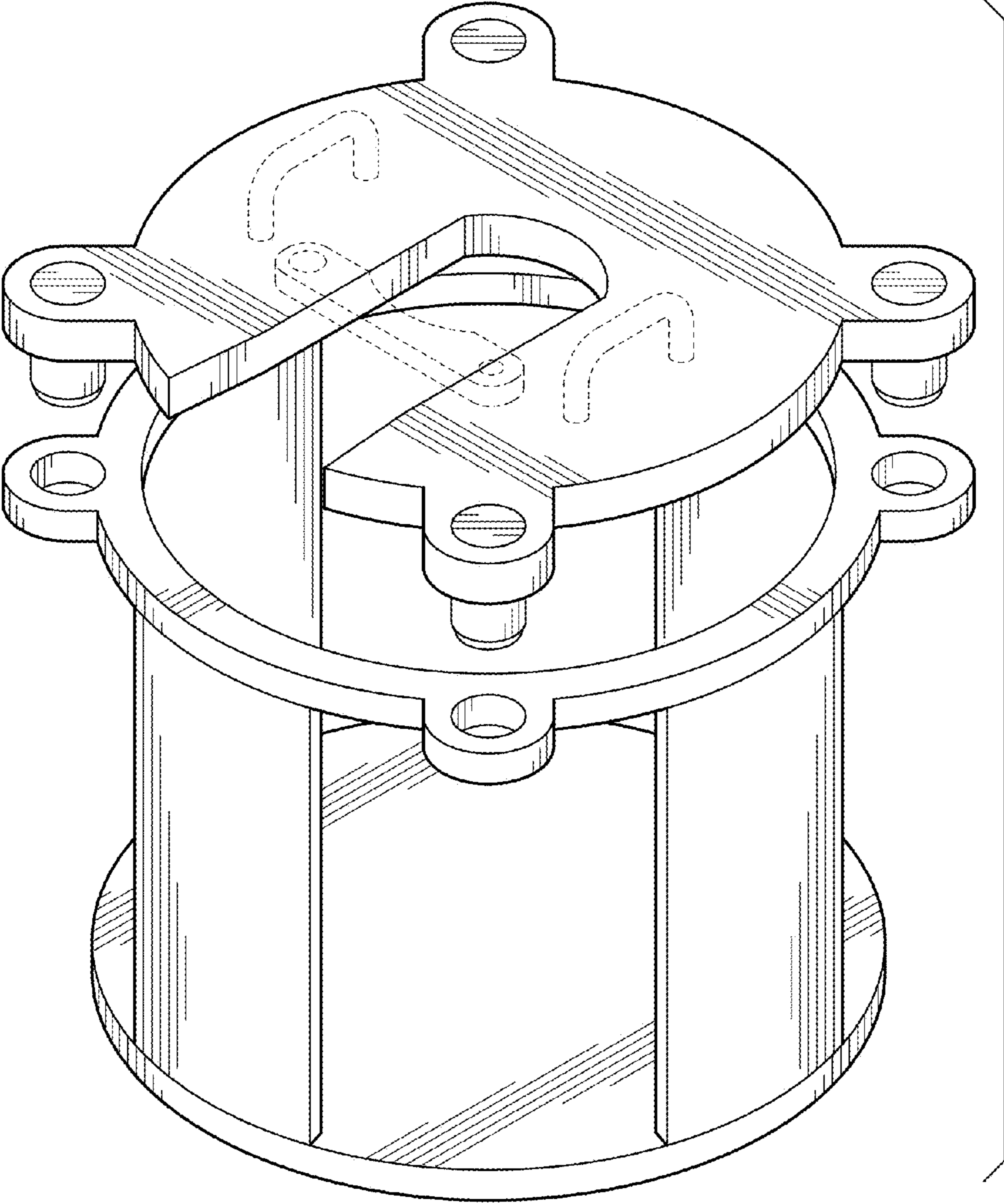


FIG. 2

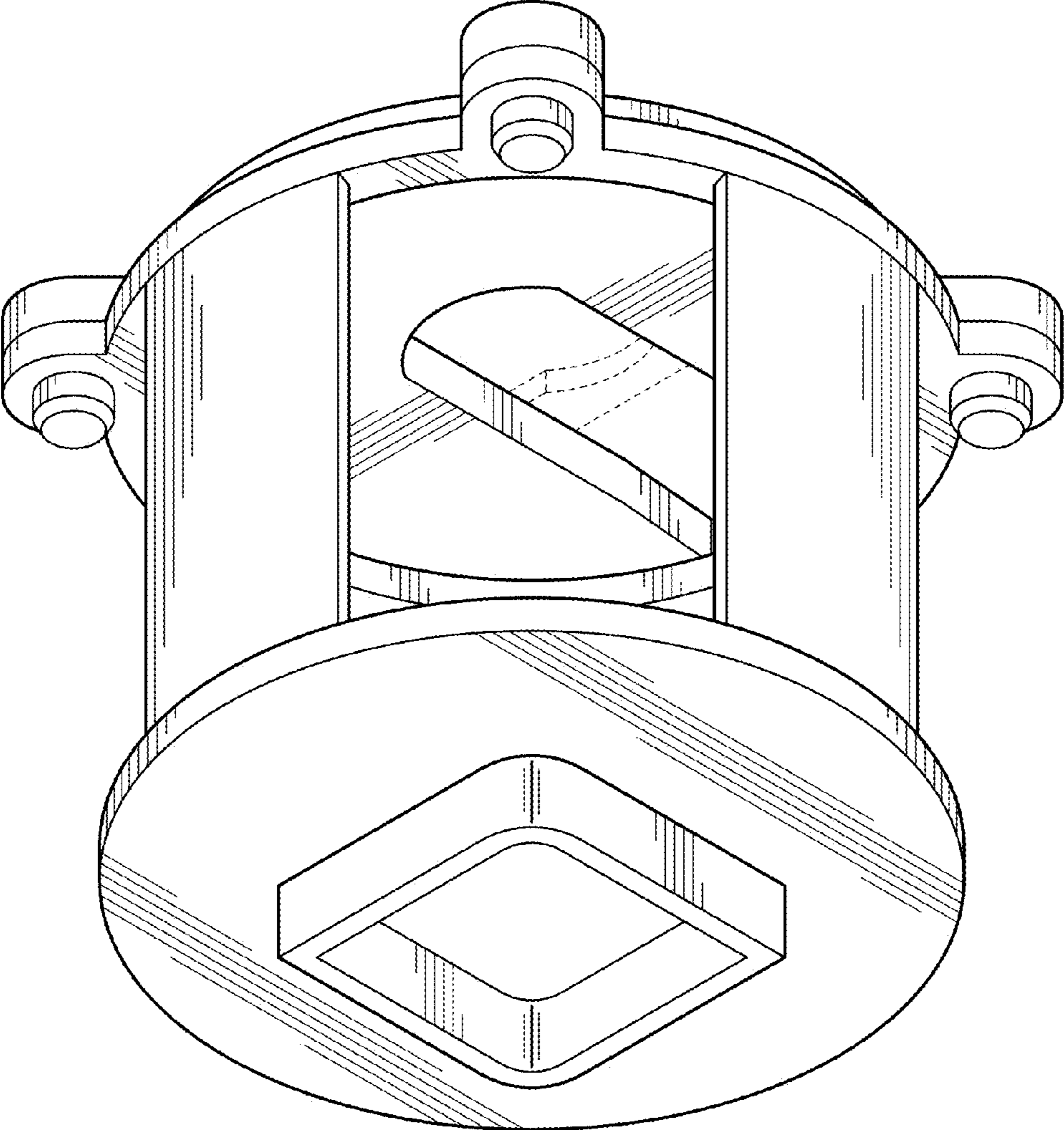


FIG. 3