



US00D741924S

(12) **United States Design Patent**
Lee

(10) **Patent No.:** **US D741,924 S**
(45) **Date of Patent:** **** Oct. 27, 2015**

- (54) **CABLE GUIDING DRILL BIT**
- (71) Applicant: **Ming Chang Carpenter Auger Bit Co., LTD.**, Nan Tou (TW)
- (72) Inventor: **Wen-Ming Lee**, Nan Tou (TW)
- (73) Assignee: **Ming Chang Carpenter Auger Bit Co., Ltd.**, Nan Tou (TW)
- (**) Term: **14 Years**
- (21) Appl. No.: **29/484,216**
- (22) Filed: **Mar. 7, 2014**
- (51) **LOC (10) Cl.** **15-09**
- (52) **U.S. Cl.**
USPC **D15/139**
- (58) **Field of Classification Search**
USPC D8/70; D15/21, 131, 132, 138, 139,
D15/140
See application file for complete search history.

7,354,228	B2 *	4/2008	Lambert	408/226
8,282,079	B2 *	10/2012	Petti	254/134.3 R
8,579,553	B2 *	11/2013	Pierce	408/1 R
D724,125	S *	3/2015	Pierce	D15/139
9,004,825	B2 *	4/2015	Gruber	408/223
2004/0013483	A1 *	1/2004	Thomsen	408/226
2010/0258771	A1 *	10/2010	White	254/134.3 R

* cited by examiner

Primary Examiner — Patricia Palasik

(74) *Attorney, Agent, or Firm* — The Weintraub Group, P.L.C.

(57) **CLAIM**

The ornamental design for a cable guiding drill bit, as shown and described.

DESCRIPTION

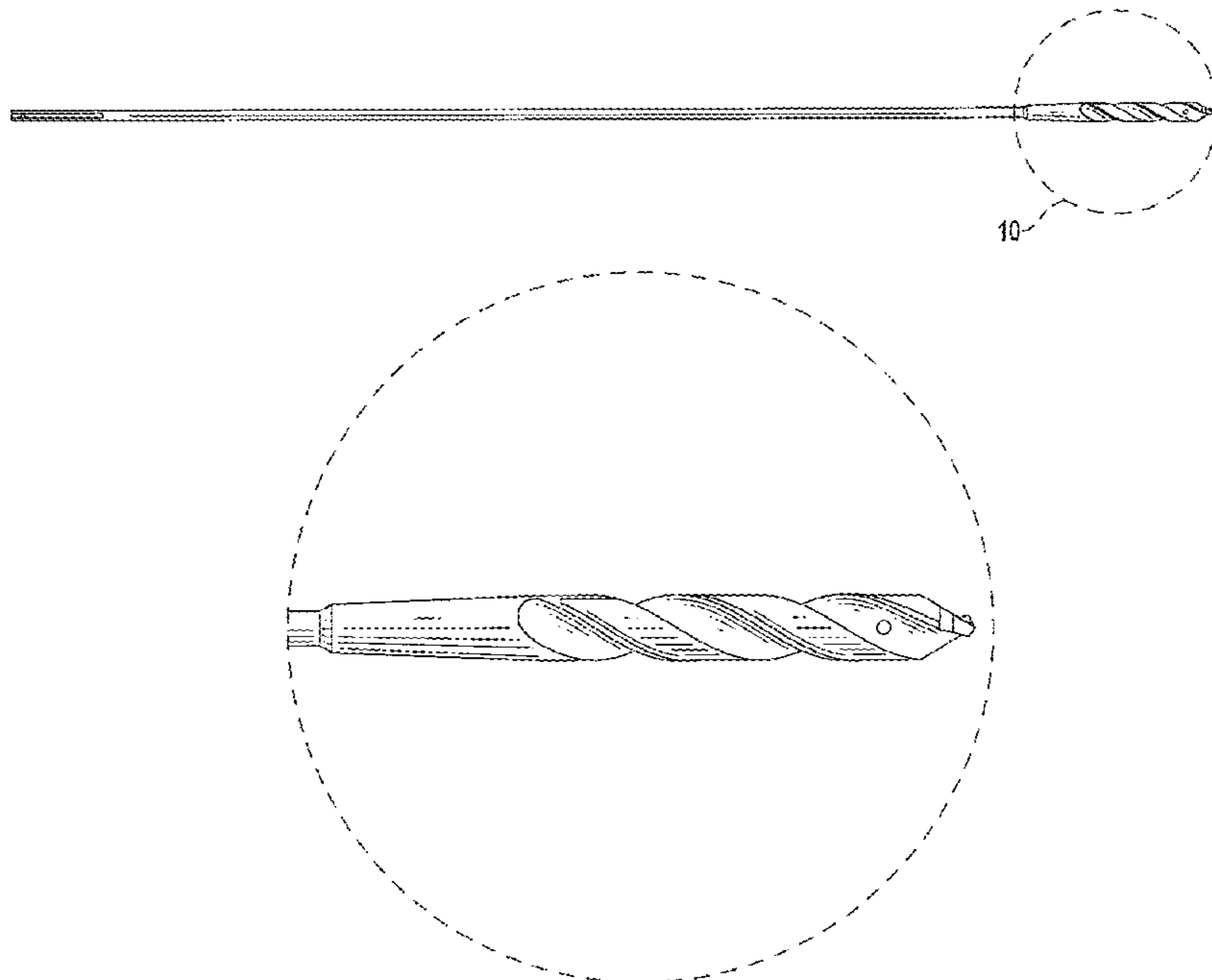
FIG. 1 is a perspective view of a cable guiding drill bit showing my new design;
 FIG. 2 is a front view thereof;
 FIG. 3 is a rear view thereof;
 FIG. 4 is a left side view thereof;
 FIG. 5 is a right side view thereof;
 FIG. 6 is a top view thereof;
 FIG. 7 is a bottom view thereof;
 FIG. 8 is an enlarged detailed front view thereof as shown in circle 8 in FIG. 2;
 FIG. 9 is an enlarged right side view thereof; and,
 FIG. 10 is an enlarged detailed top view thereof as shown in circle 10 in FIG. 6.

1 Claim, 7 Drawing Sheets

(56) **References Cited**

U.S. PATENT DOCUMENTS

1,289,957	A *	12/1918	Tambacopolo	114/51
3,611,549	A *	10/1971	Pope	29/423
3,697,188	A *	10/1972	Pope	408/230
3,984,192	A *	10/1976	Wanner et al.	408/226
5,310,294	A *	5/1994	Perkins	408/226
5,888,035	A *	3/1999	Cutler	408/225
6,257,808	B1 *	7/2001	Groot	408/1 R
6,318,704	B1 *	11/2001	Christenson	254/134.3 R
6,511,266	B1 *	1/2003	Groot	408/1 R
6,719,274	B2 *	4/2004	Bowling	254/134.3 FT
6,739,582	B1 *	5/2004	Martin	254/134.3 FT



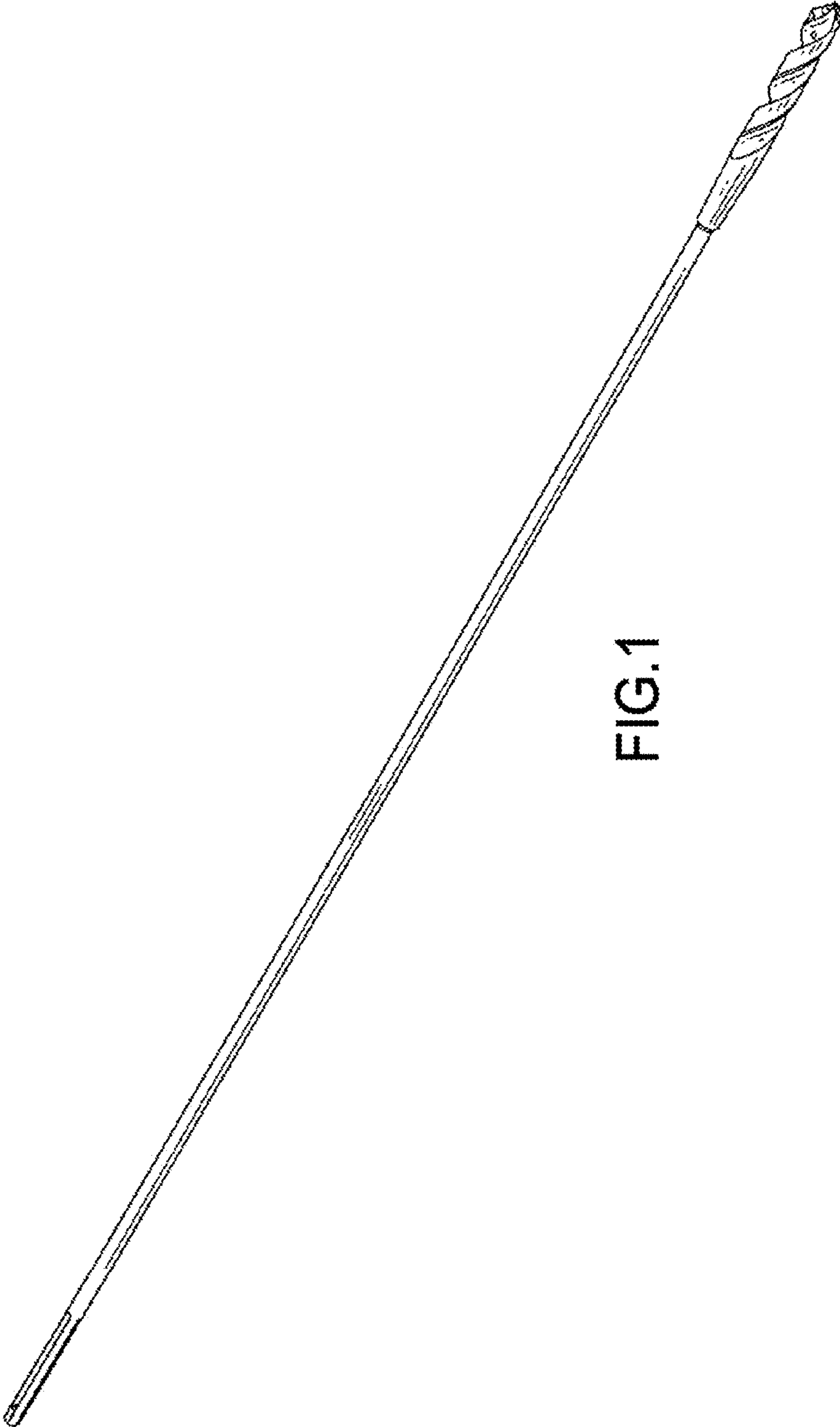


FIG.1

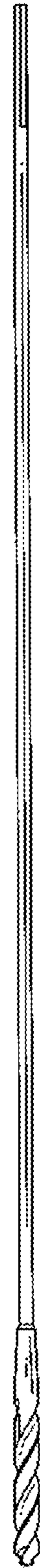
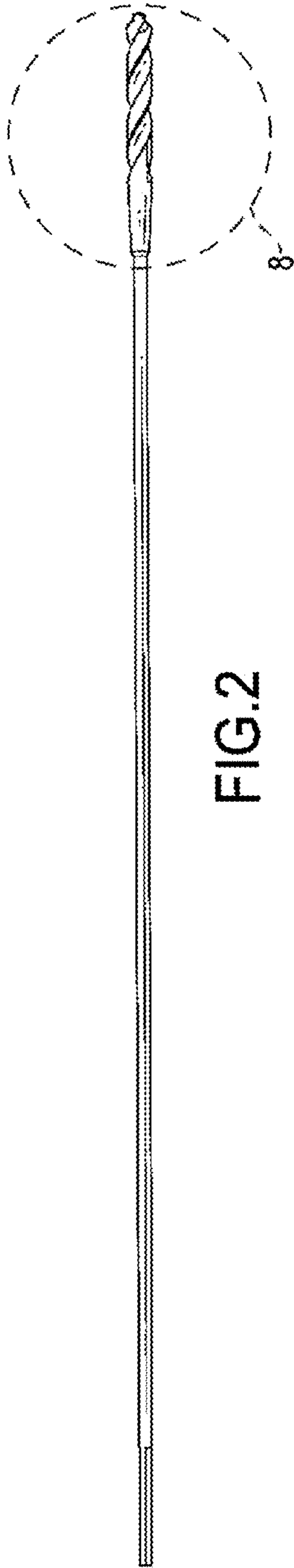
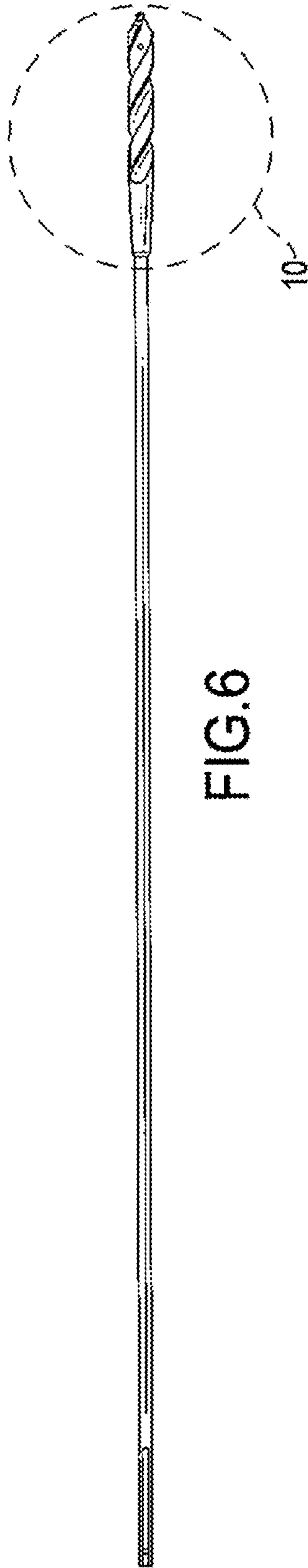




FIG.4



FIG.5



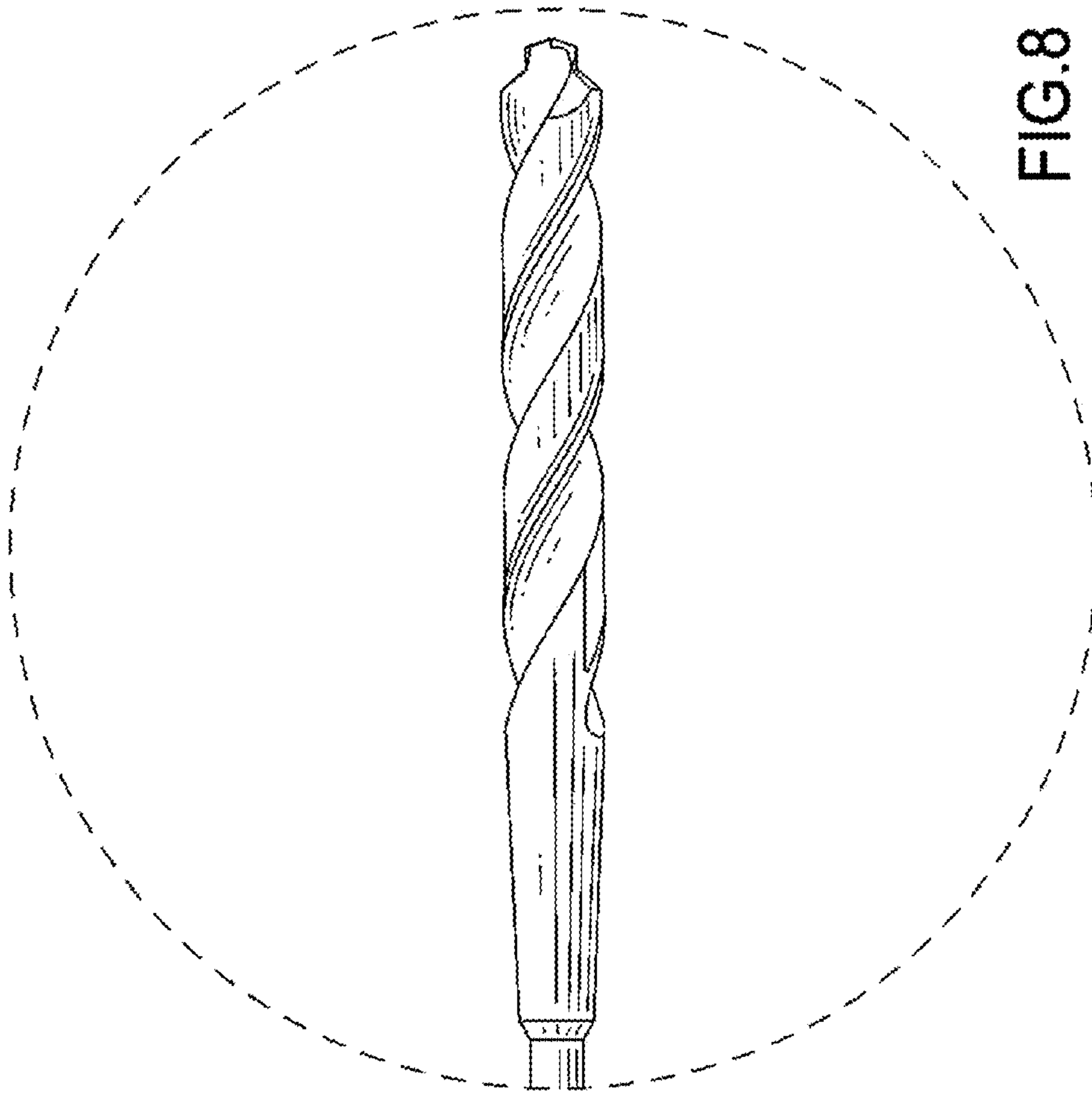


FIG.8

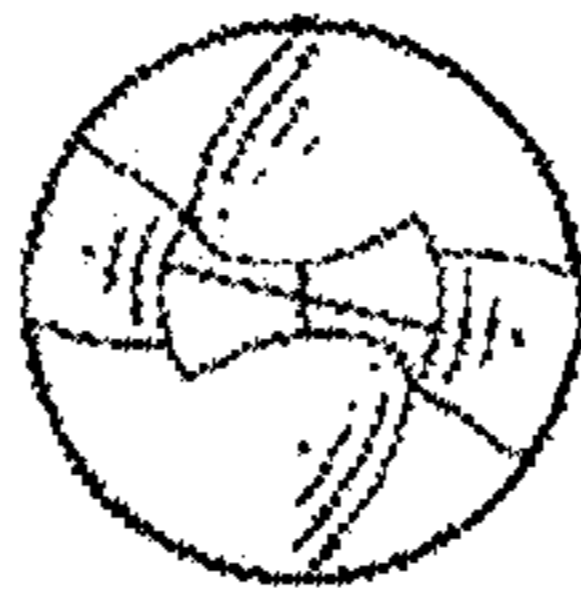


FIG.9

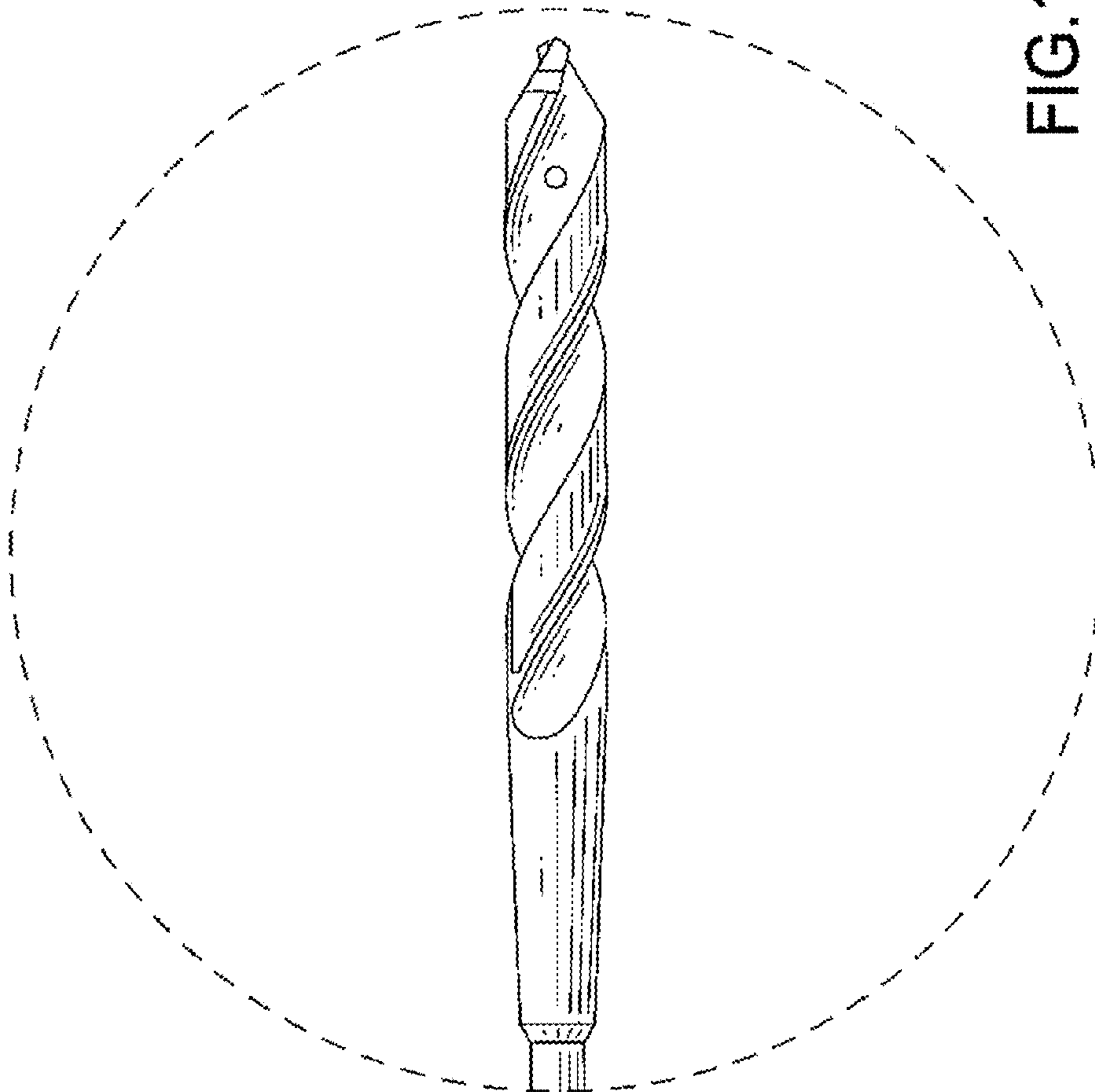


FIG.10