



US00D741918S

(12) **United States Design Patent**
Hooijmans

(10) **Patent No.:** **US D741,918 S**

(45) **Date of Patent:** **** Oct. 27, 2015**

(54) **WING FOR GROUND ENGAGING MACHINE
IMPLEMENT**

(56) **References Cited**

U.S. PATENT DOCUMENTS

(71) Applicant: **CATERPILLAR WORK TOOLS B.V.**,
s-Hertogenbosch (NL)

D242,162 S * 11/1976 Dahlberg D15/32

D242,274 S * 11/1976 Dahlberg D15/28

4,047,312 A * 9/1977 Stepe 37/448

D246,176 S * 10/1977 Dahlberg et al. D15/32

6,799,388 B2 * 10/2004 Weaver et al. 37/448

D676,066 S * 2/2013 Attwood et al. D15/28

D676,067 S * 2/2013 Attwood et al. D15/28

2013/0185964 A1 * 7/2013 Anisy et al. 37/453

2014/0082976 A1 * 3/2014 Vicq et al. 37/453

2014/0082977 A1 * 3/2014 Pilon 37/453

(72) Inventor: **Willem Hooijmans**, Maasdriel (NL)

(73) Assignee: **Caterpillar Work Tools B.V.**,
s-Hertogenbosch (NL)

(**) Term: **14 Years**

* cited by examiner

(21) Appl. No.: **29/500,710**

Primary Examiner — Mark Goodwin

(22) Filed: **Aug. 27, 2014**

(74) *Attorney, Agent, or Firm* — Saidman DesignLaw
Group, LLC

(30) **Foreign Application Priority Data**

(57) **CLAIM**

Feb. 28, 2014 (EM) 002415661-0003

The ornamental design for a wing for ground engaging
machine implement, as shown and described.

(51) **LOC (10) Cl.** **15-03**

DESCRIPTION

(52) **U.S. Cl.**

USPC **D15/28**

(58) **Field of Classification Search**

USPC D15/11, 21, 28, 29, 32; 172/172, 701.2,
172/701.3, 713, 719, 772.5, 770, 771;
37/444, 446, 449, 452-456, 448, 903

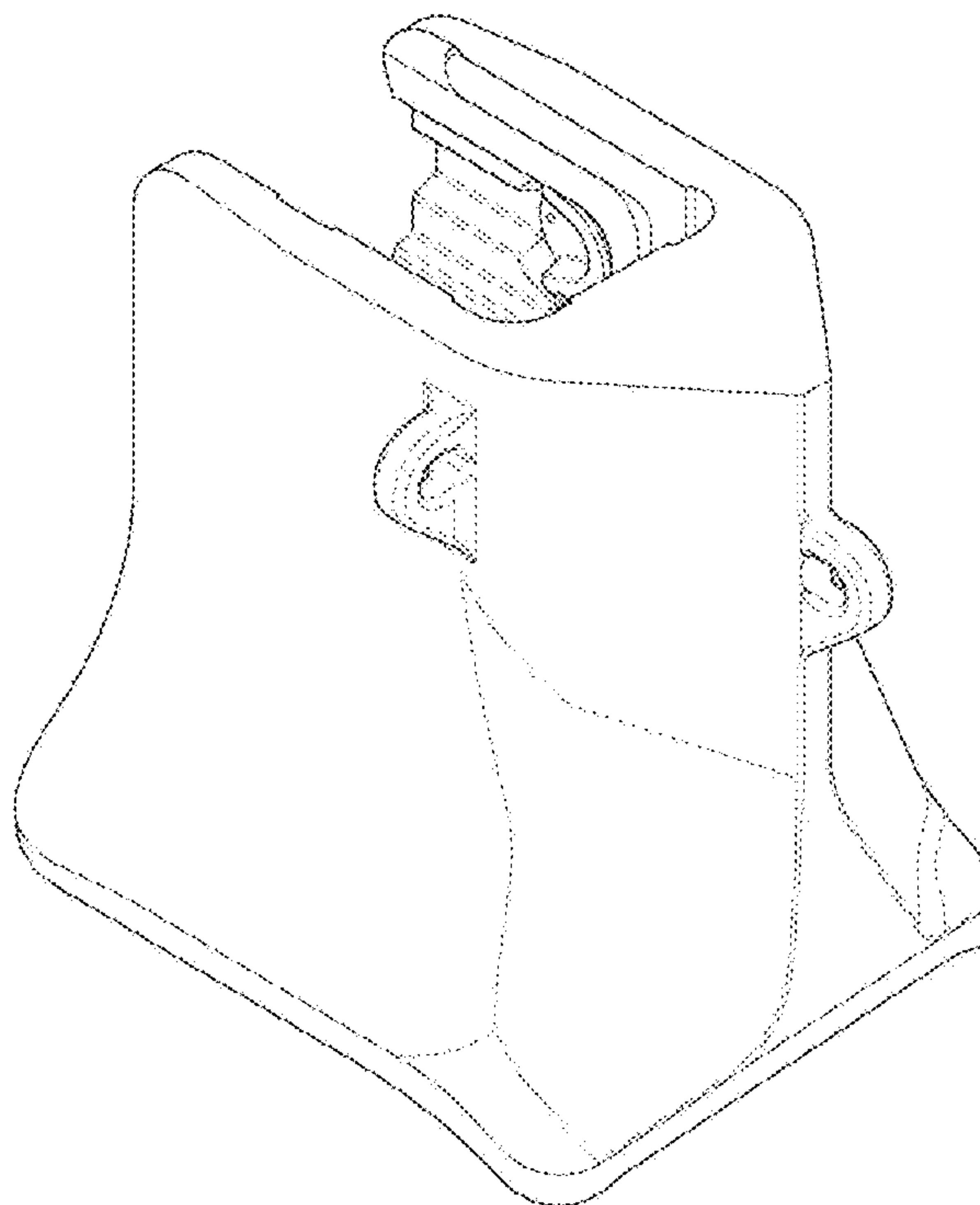
CPC E02F 9/2833; E02F 9/2825; E02F 9/2883;
E02F 9/2841; E02F 9/28; E02F 3/40; E21C
35/183; Y10Y 403/7069; Y10Y 403/7018;
Y10Y 403/587

FIG. 1 is a perspective view of a wing for ground engaging
machine implement showing my new design;
FIG. 2 is a front view thereof;
FIG. 3 is a rear view thereof;
FIG. 4 is a left side view thereof;
FIG. 5 is a right side view thereof;
FIG. 6 is a top view thereof; and,
FIG. 7 is a bottom view thereof.

The drawings include CAD lines which represent contour, not
surface ornamentation.

See application file for complete search history.

1 Claim, 7 Drawing Sheets



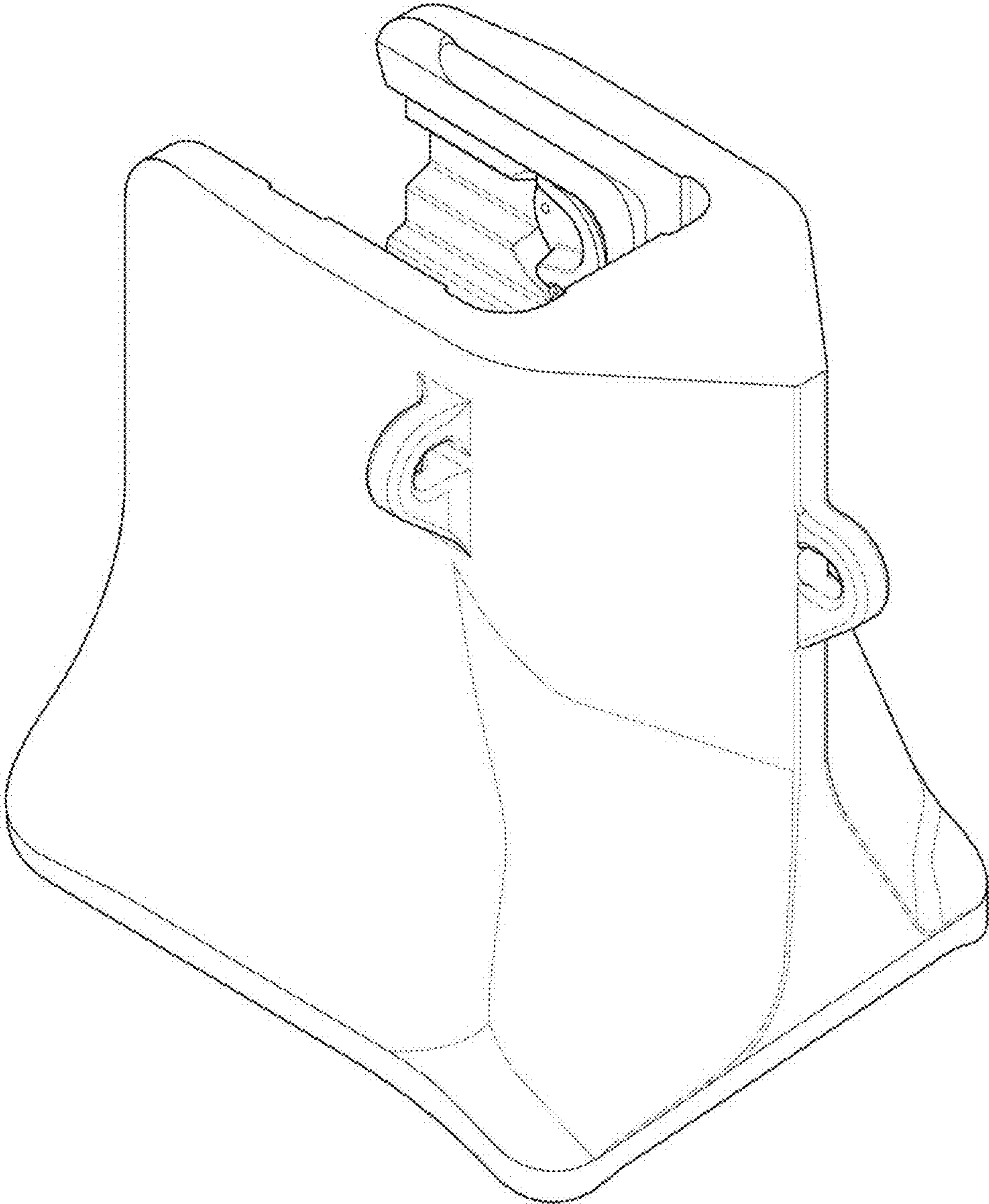


Fig. 1

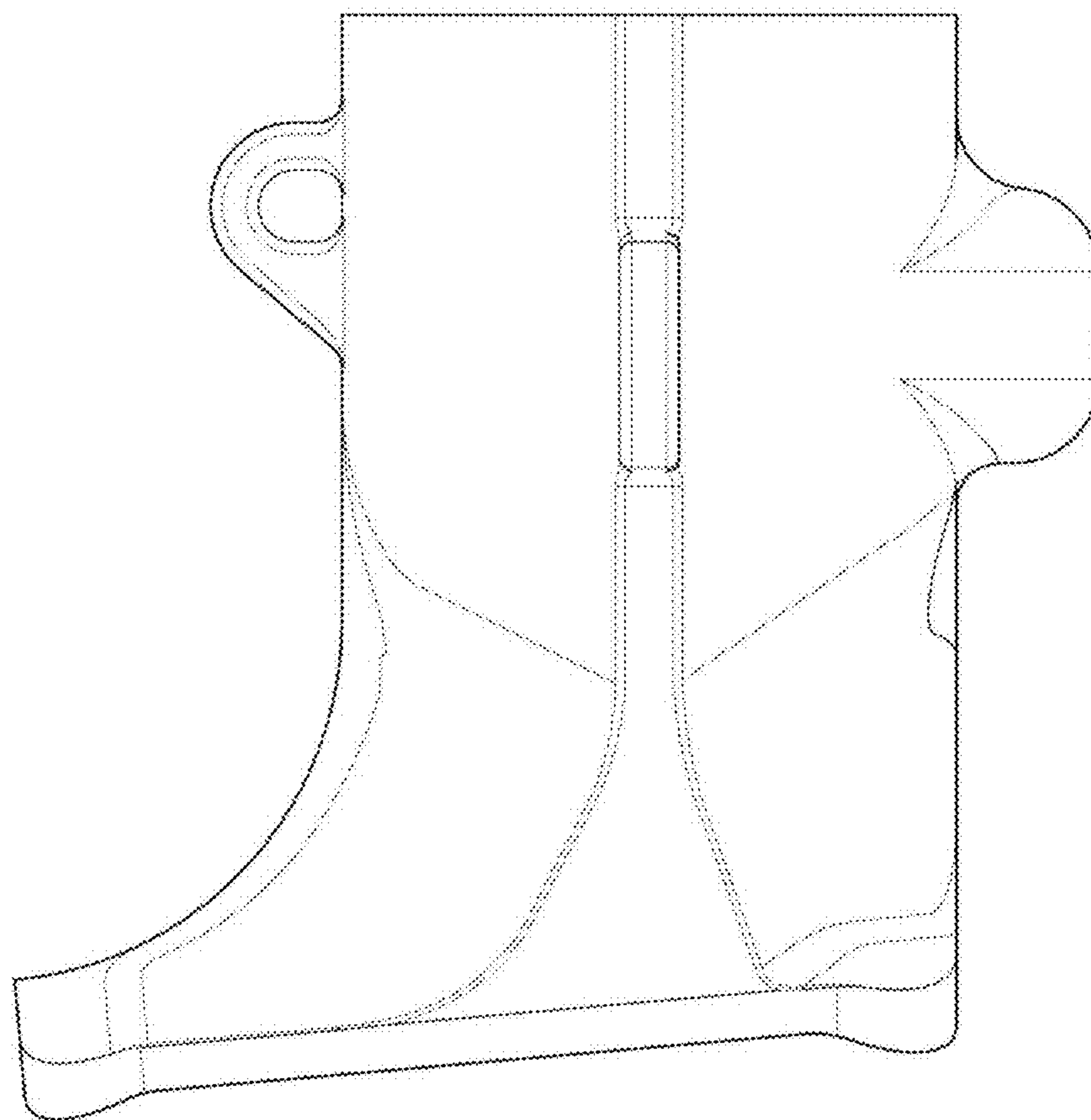


Fig. 2

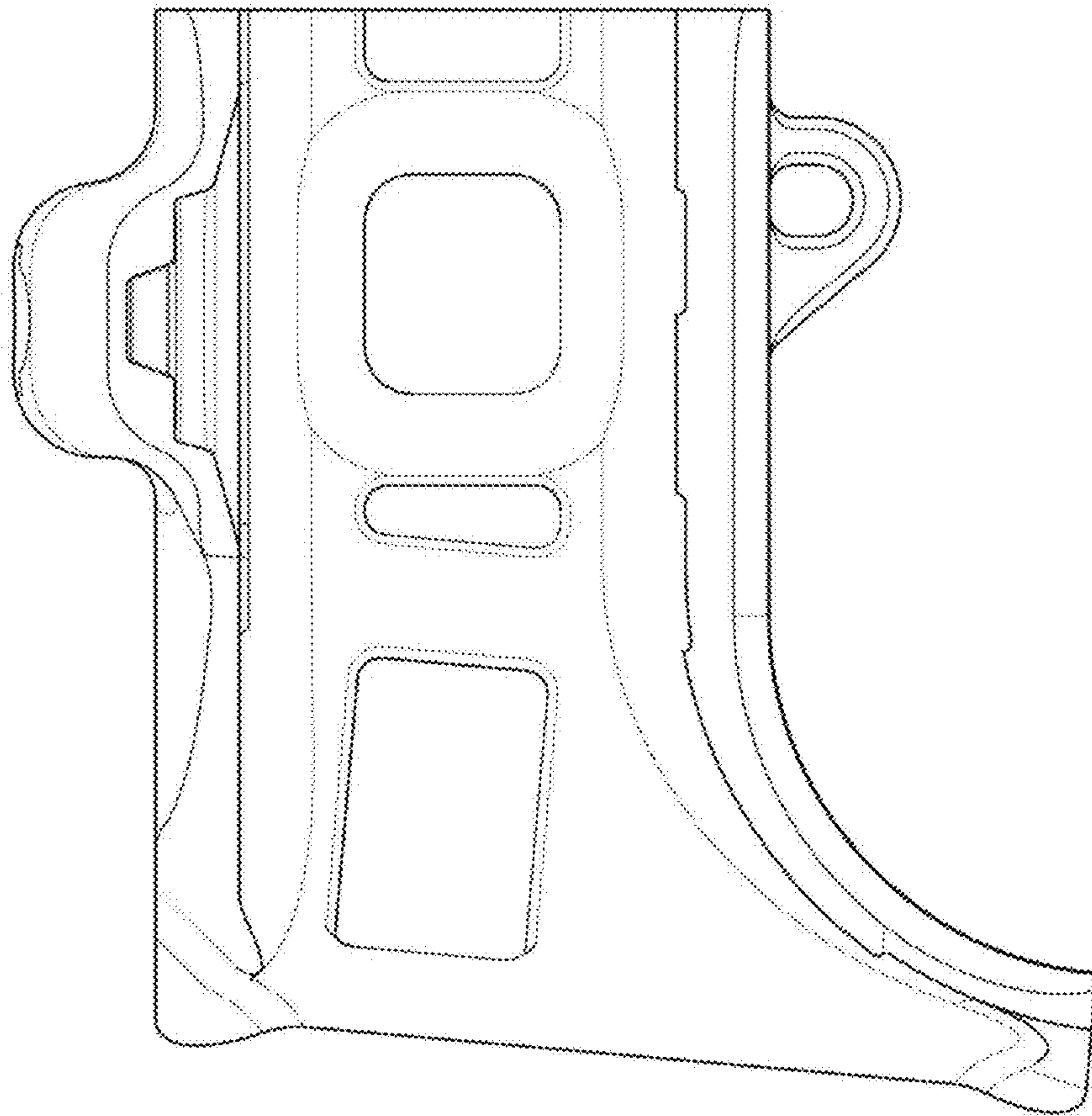


Fig. 3

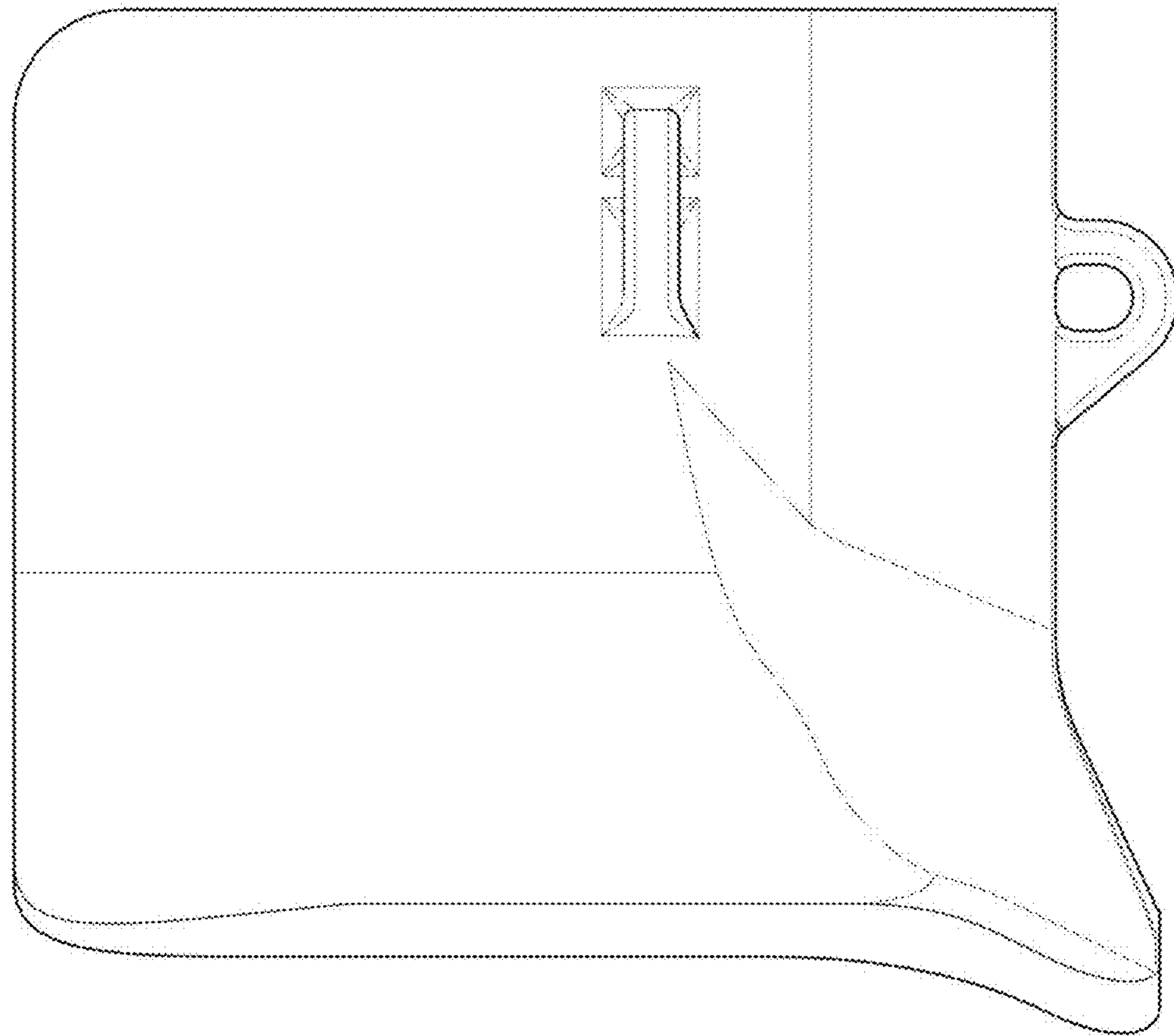


Fig. 4

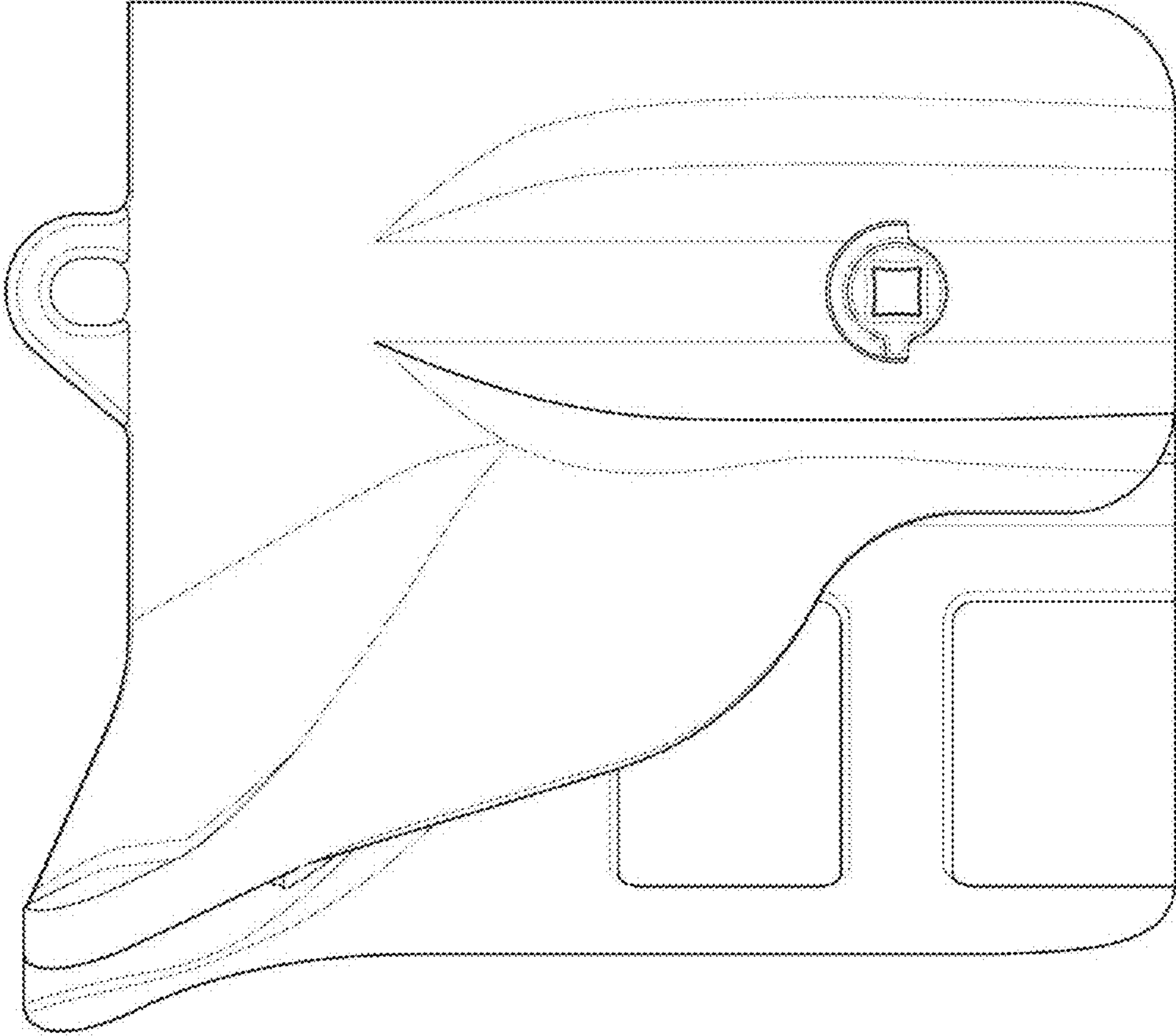


Fig. 5

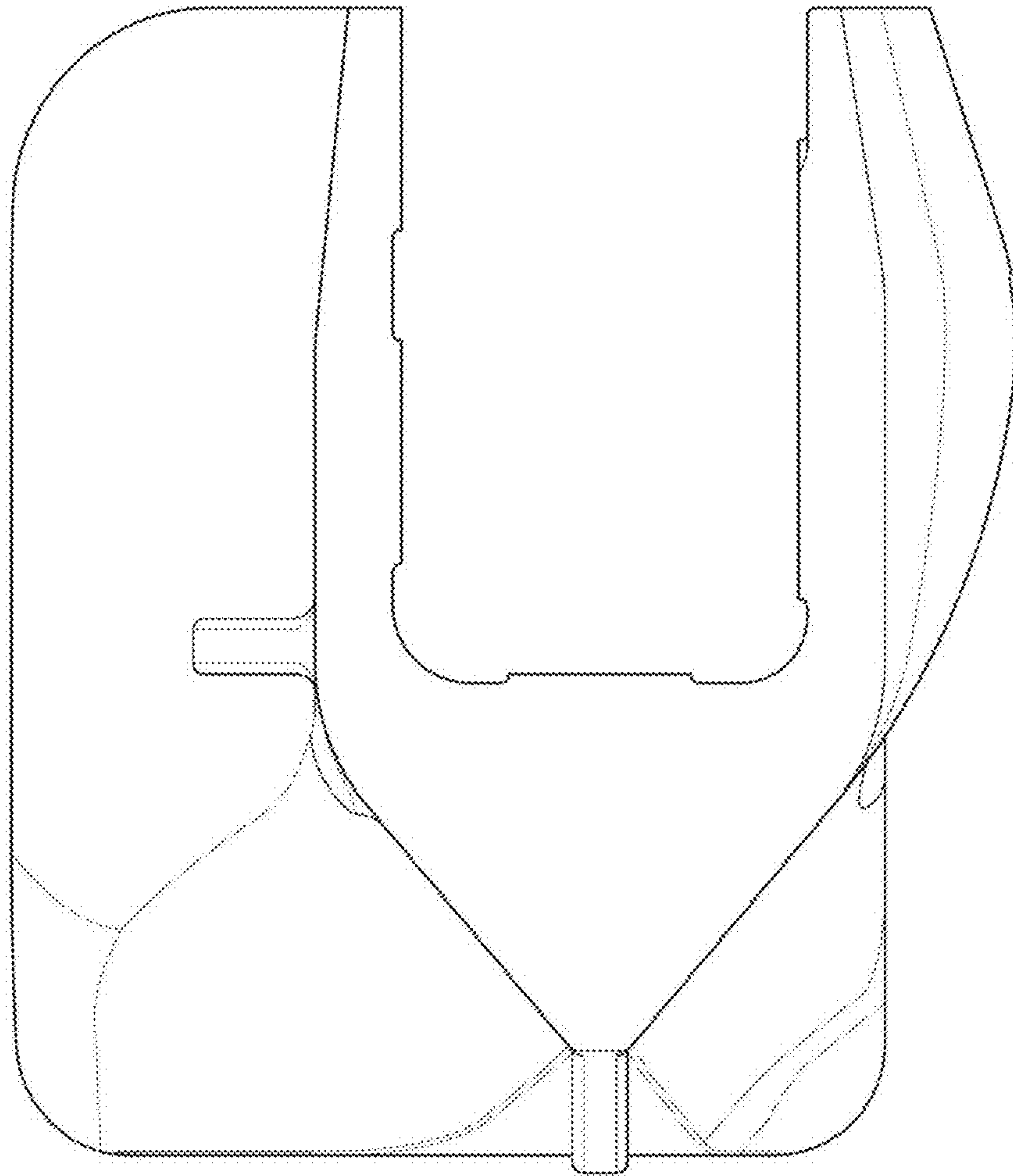


Fig. 6

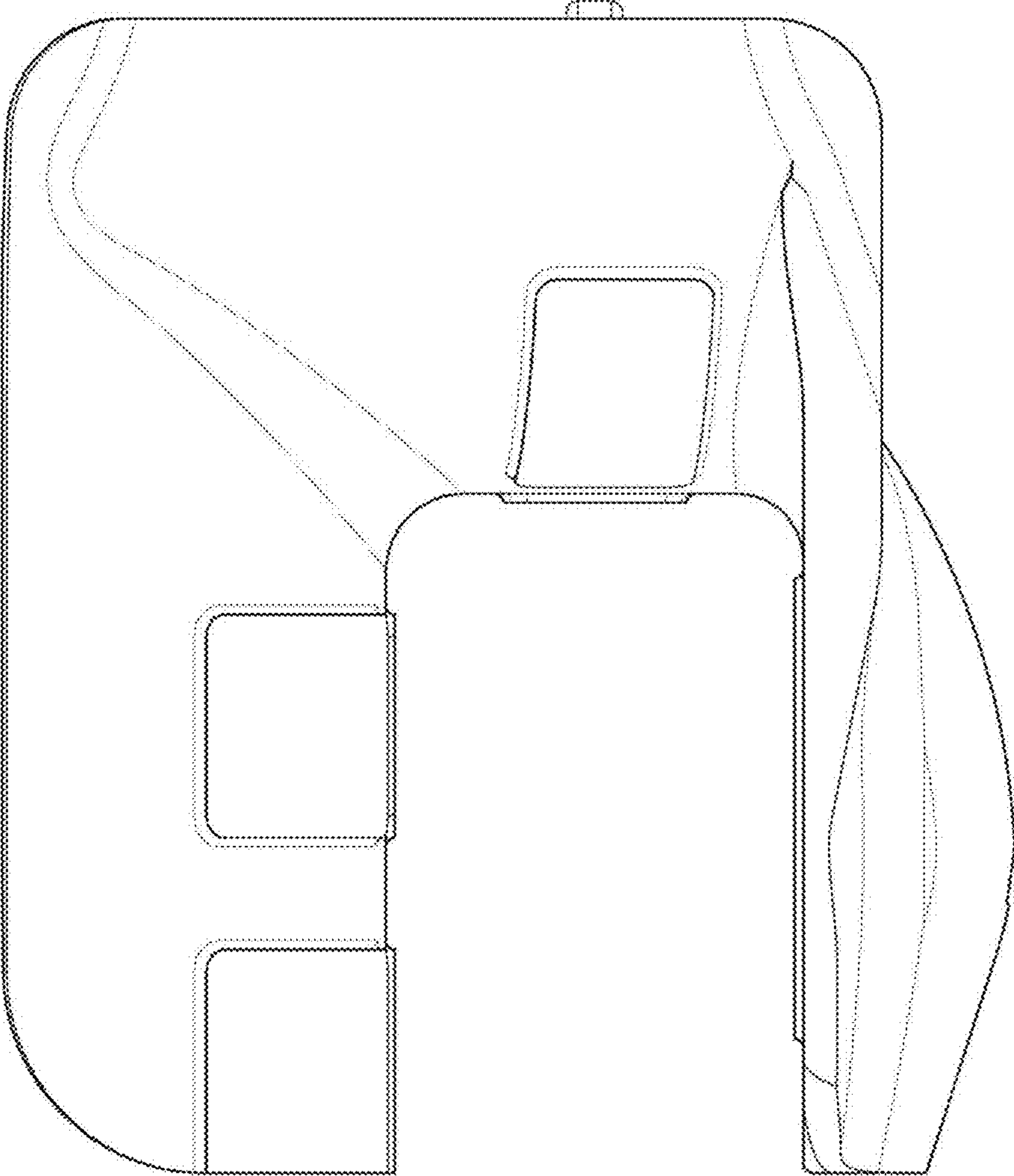


Fig. 7