



US00D741917S

(12) **United States Design Patent**
Tinius

(10) **Patent No.:** **US D741,917 S**

(45) **Date of Patent:** **** Oct. 27, 2015**

(54) **CORDLESS BLOWER**

(71) Applicant: **Andreas Stihl AG & Co. KG,**
Waiblingen (DE)

(72) Inventor: **Michael Tinius,** Ulm (DE)

(73) Assignee: **Andreas Stihl AG & Co. KG,**
Waiblingen (DE)

(**) Term: **14 Years**

(21) Appl. No.: **29/499,571**

(22) Filed: **Aug. 15, 2014**

(30) **Foreign Application Priority Data**

Feb. 21, 2014 (EM) 002409474-0002

(51) **LOC (10) Cl.** **15-05**

(52) **U.S. Cl.**
USPC **D15/15**

(58) **Field of Classification Search**
USPC D15/12; D32/14, 15, 16, 28, 17, 18, 21;
D23/321, 344, 315, 345, 412, 414,
D23/300.1, 346, 415.1; 15/213, 225;
417/236, 423.1, 423.3
CPC A47L 5/14; A47L 9/32; A01G 1/125;
F04B 17/00; F04B 35/04
See application file for complete search history.

(56) **References Cited**

U.S. PATENT DOCUMENTS

D147,125 S 7/1947 Harvuot
3,940,818 A 3/1976 Anderson
D258,908 S 4/1981 Satoh
4,325,163 A 4/1982 Mattson et al.
D266,355 S 9/1982 Mariol
D266,587 S 10/1982 Satoh

D279,319 S 6/1985 McCloskey et al.
D297,274 S 8/1988 Komiya et al.
D359,603 S 6/1995 Rakocy et al.
D375,822 S 11/1996 Lessig, III et al.
5,673,457 A 10/1997 Webster et al.
D393,506 S 4/1998 Ohi et al.
D400,322 S 10/1998 Webster et al.
D405,570 S 2/1999 Broecking
5,950,276 A 9/1999 Everts et al.
D416,360 S 11/1999 Enkyo et al.
6,000,096 A 12/1999 Everts et al.
D427,394 S 6/2000 Yamane et al.
6,108,865 A 8/2000 Vesper et al.
D431,697 S 10/2000 Hayakawa et al.
D461,604 S 8/2002 Martin et al.
6,442,790 B1 9/2002 Svoboda et al.
6,468,053 B2 10/2002 Wolpert
D468,874 S 1/2003 Nawrozki et al.
D469,931 S 2/2003 Nawrozki et al.

(Continued)

Primary Examiner — Mark Goodwin

(74) *Attorney, Agent, or Firm* — McGuire Woods LLP

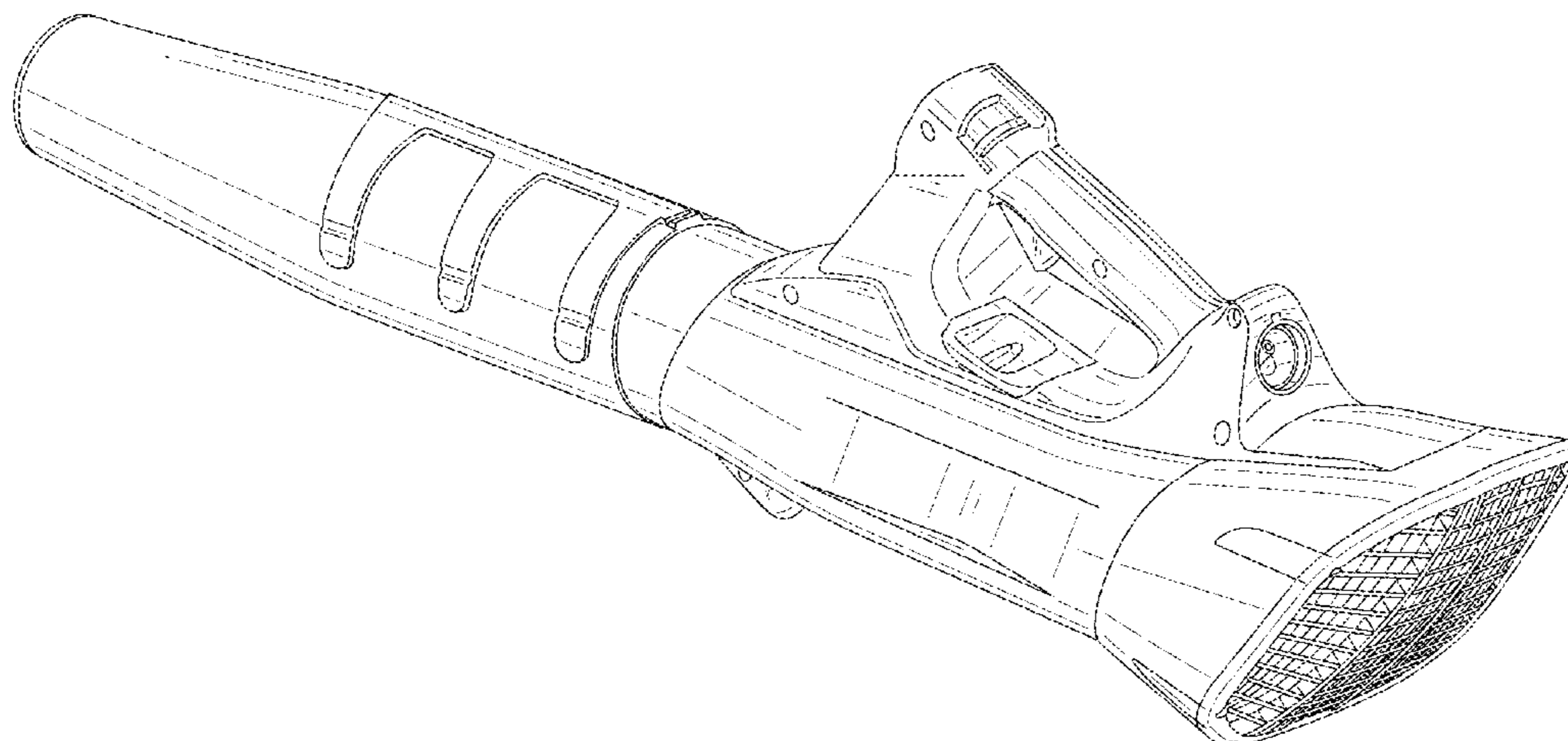
(57) **CLAIM**

I claim the ornamental design for a cordless blower, as shown and described.

DESCRIPTION

FIG. 1 is a right-rear perspective view of the cordless blower; FIG. 2 is a front view of the cordless blower shown in FIG. 1; FIG. 3 is a rear view of the cordless blower shown in FIG. 1; FIG. 4 is a left side of the cordless blower shown in FIG. 1; FIG. 5 is a right side view of the cordless blower shown in FIG. 1; FIG. 6 is a bottom view of the cordless blower shown in FIG. 1; and, FIG. 7 is a top view of the cordless blower shown in FIG. 1. The subject matter shown in dashed lines, and any surfaces of the design not shown,

1 Claim, 6 Drawing Sheets



(56)

References Cited

U.S. PATENT DOCUMENTS

D471,680 S	3/2003	Tokumaru et al.	D584,460 S	1/2009	Sweeney	
6,552,891 B1	4/2003	Prach	7,476,091 B2	1/2009	Saitou et al.	
D480,444 S	10/2003	Marchessault et al.	D588,939 S	3/2009	Falkenstein	
6,629,818 B2	10/2003	Svoboda	D591,767 S	5/2009	Lee	
D493,017 S *	7/2004	Ito D32/15	D591,916 S	5/2009	Kosugi et al.	
D497,459 S	10/2004	Nawrozki et al.	D594,961 S	6/2009	Tinius	
D497,692 S	10/2004	Nawrozki et al.	D604,917 S *	11/2009	Tinius D32/15	
D498,885 S *	11/2004	Robson D32/15	D605,819 S	12/2009	Tinius	
6,834,413 B2	12/2004	Sanders et al.	D615,716 S	5/2010	Tinius	
6,843,639 B2	1/2005	Schütt	D637,774 S	5/2011	Li et al.	
D521,528 S	5/2006	Kamijo et al.	D637,776 S	5/2011	Tinius	
D526,750 S	8/2006	Ito	D638,035 S	5/2011	Kosugi et al.	
D529,243 S	9/2006	Noma et al.	D640,846 S *	6/2011	Tinius D32/15	
D532,897 S	11/2006	Yoshida et al.	D662,951 S	7/2012	Tinius	
D533,266 S	12/2006	Yoshida et al.	D668,822 S	10/2012	Tinius	
D556,395 S	11/2007	Martin	D698,106 S *	1/2014	Crawley D32/15	
D558,939 S	1/2008	Yuasa	D711,056 S *	8/2014	Crawley D32/15	
D569,055 S	5/2008	Bochmann et al.	D711,057 S *	8/2014	Crawley D32/15	
D577,113 S	9/2008	Tinius	D719,307 S *	12/2014	Carl et al. D32/15	
D583,925 S	12/2008	Tinius	2002/0108211 A1	8/2002	Svoboda	
			2003/0233730 A1	12/2003	Sanders et al.	
			2008/0148513 A1	6/2008	Shaffer	
			2009/0126147 A1	5/2009	Nakazawa et al.	

* cited by examiner

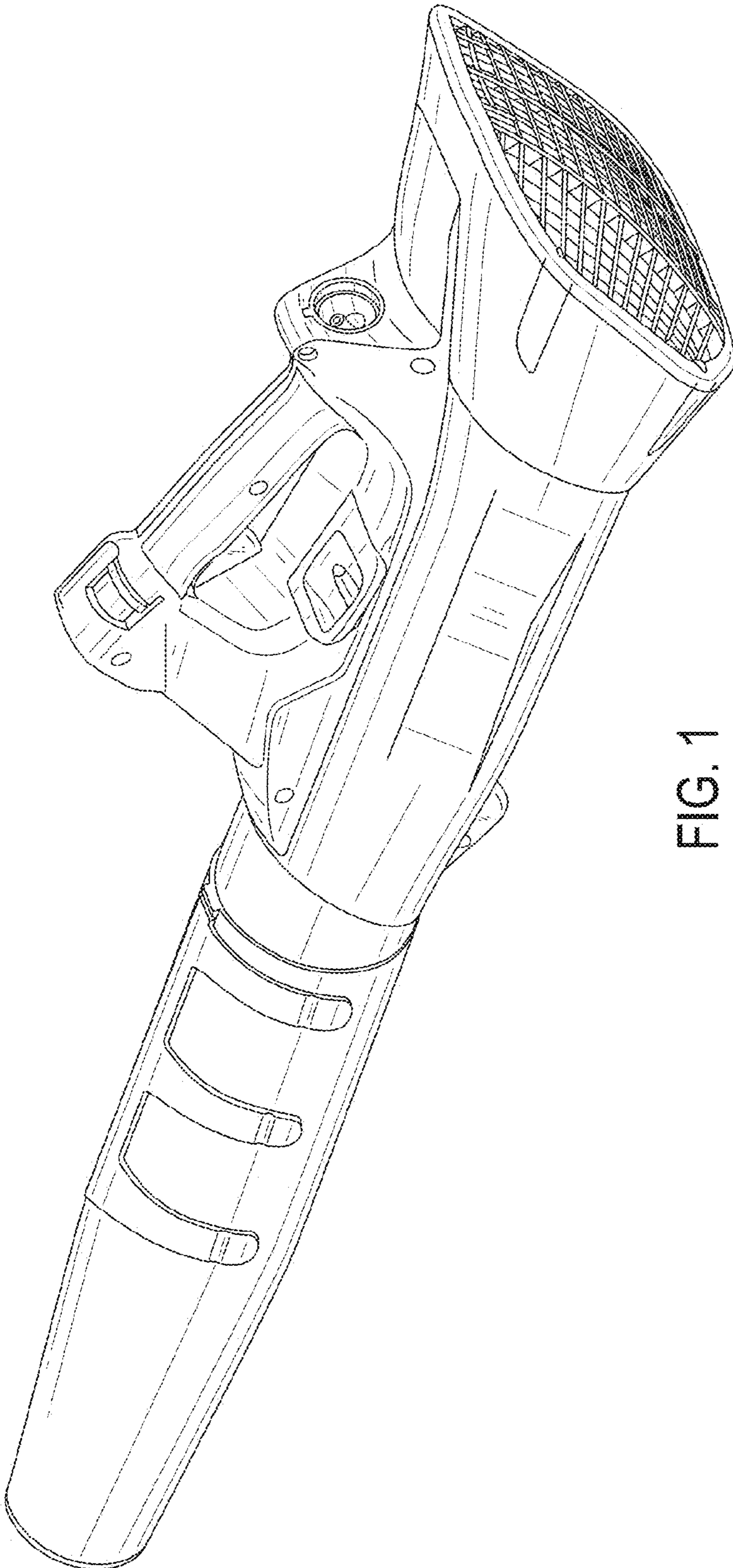


FIG. 1

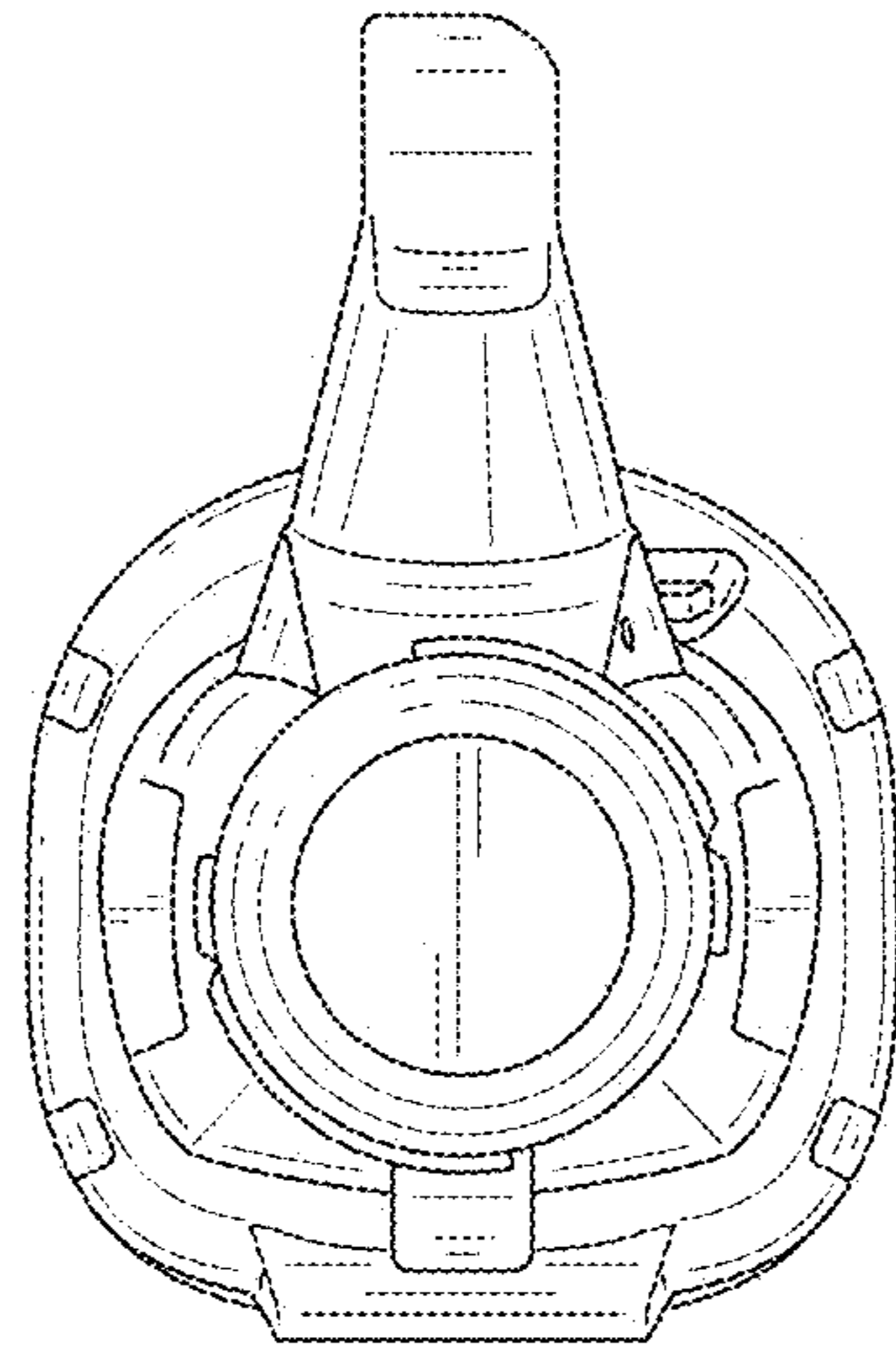


FIG. 2

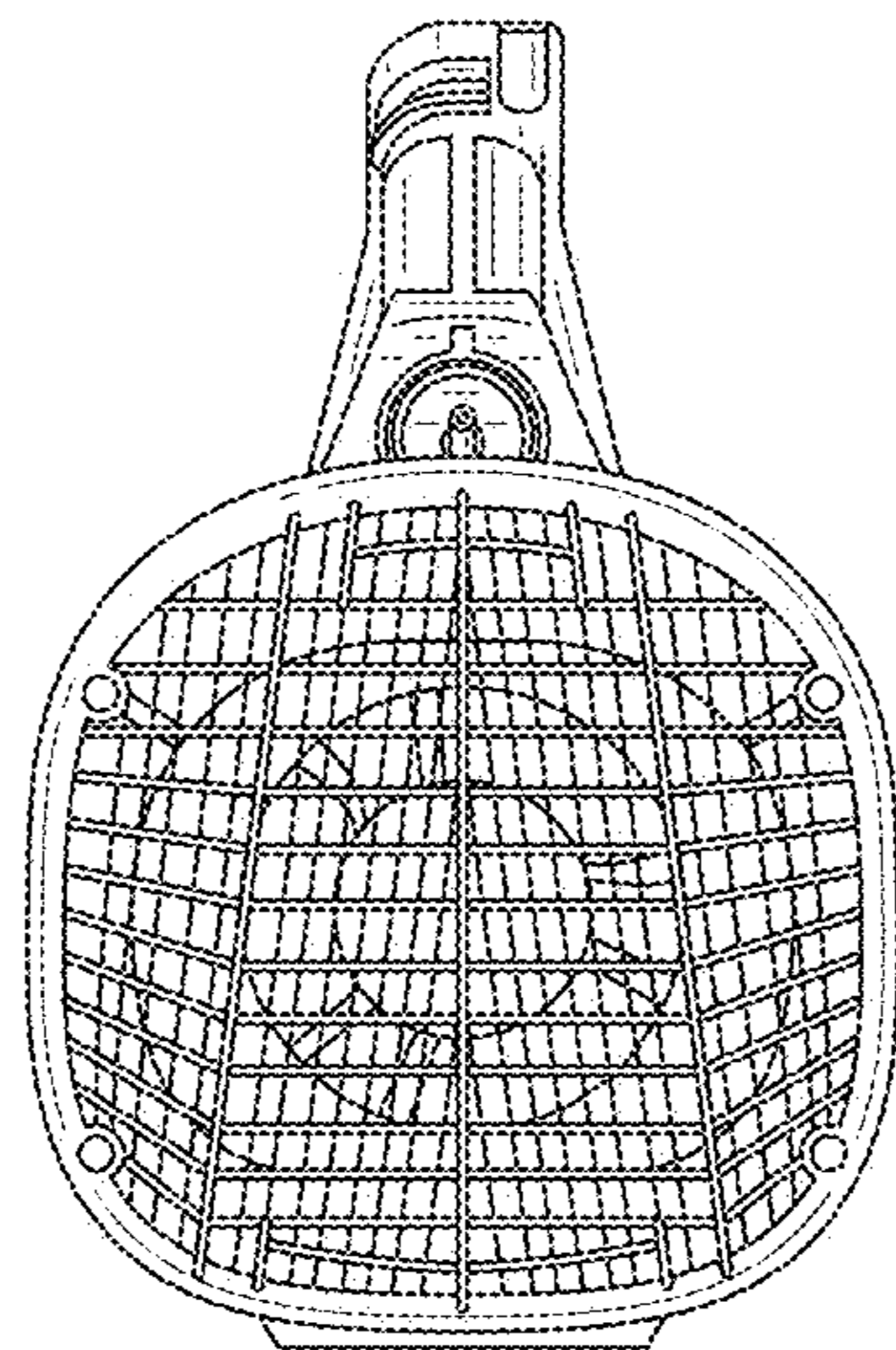


FIG. 3

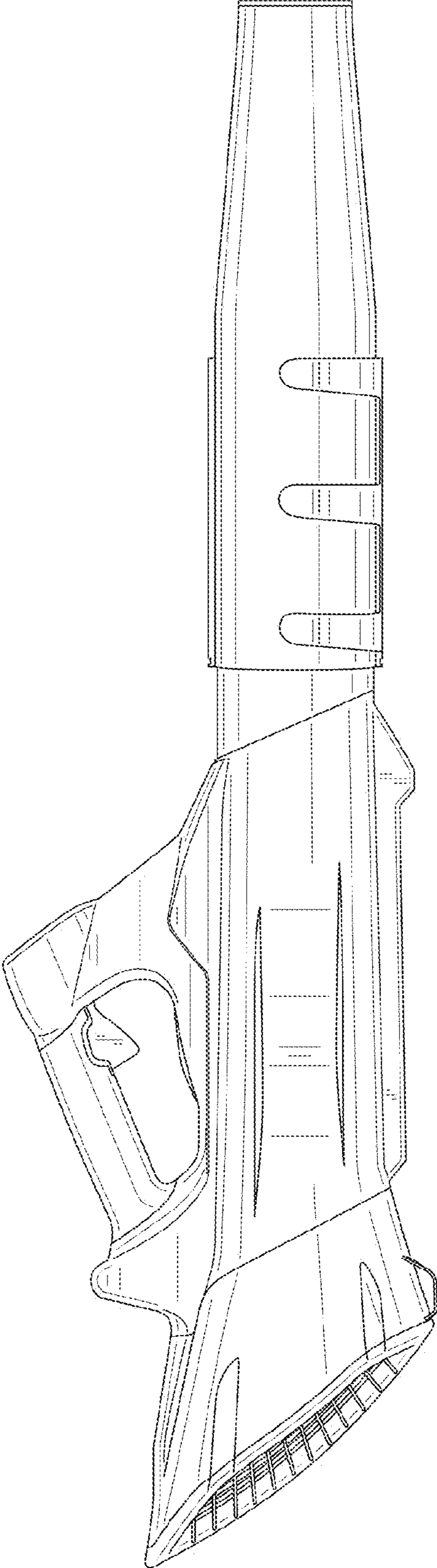


FIG. 4

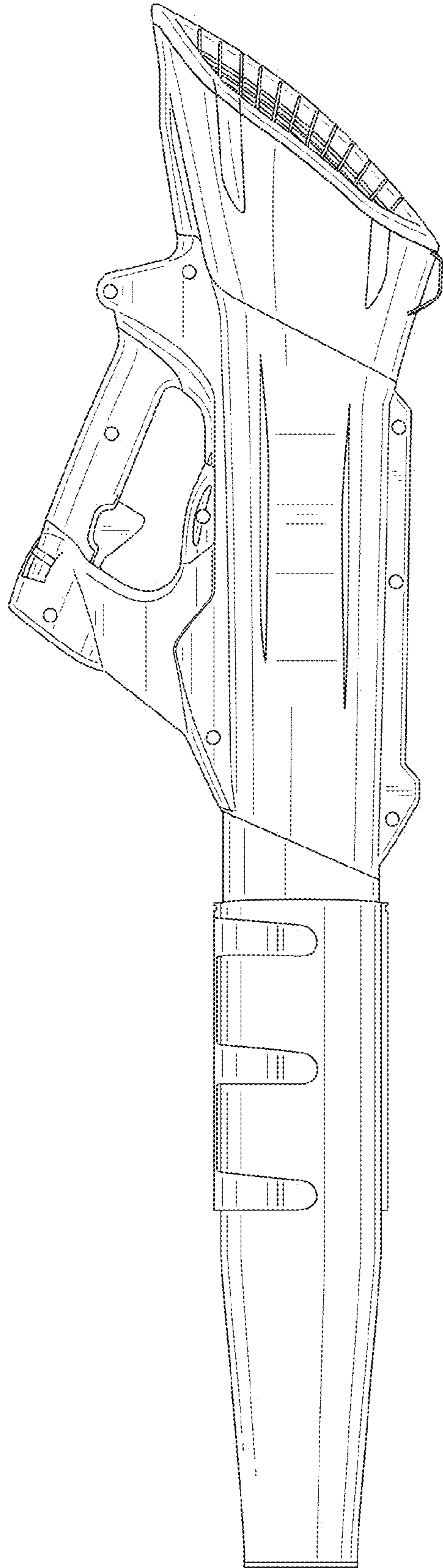


FIG. 5

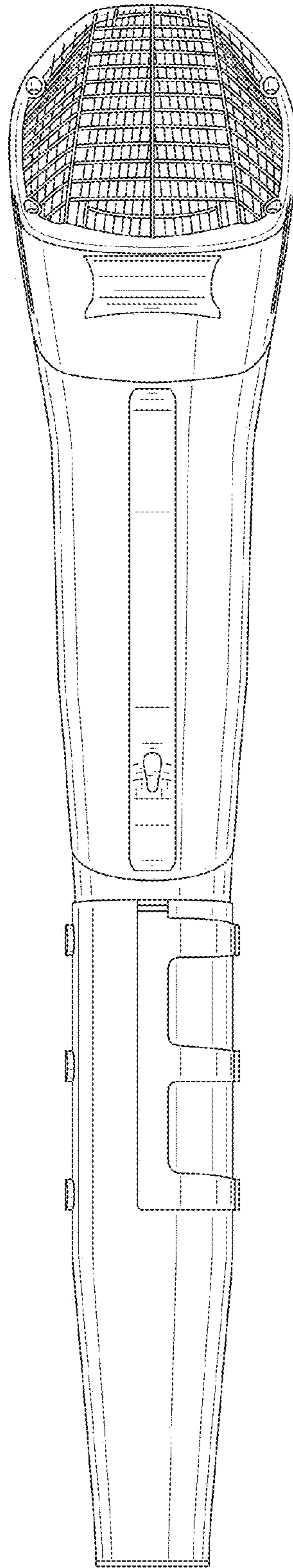


FIG. 6

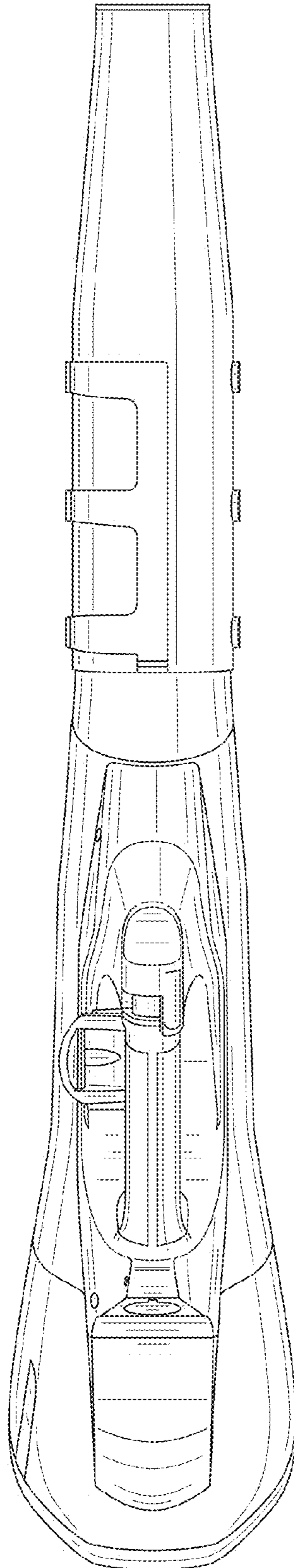


FIG. 7