



US00D741916S

(12) **United States Design Patent**  
**Fox**

(10) **Patent No.:** **US D741,916 S**  
(45) **Date of Patent:** **\*\* Oct. 27, 2015**

(54) **DIFFERENTIAL HAVING EXTERNALLY MOUNTED PLENUM**

(71) Applicant: **Eaton Corporation**, Cleveland, OH (US)

(72) Inventor: **Matthew G. Fox**, Ceresco, MI (US)

(73) Assignee: **Eaton Corporation**, Cleveland, OH (US)

(\*\*) Term: **14 Years**

(21) Appl. No.: **29/467,131**

(22) Filed: **Sep. 16, 2013**

(51) **LOC (10) Cl.** ..... **15-01**

(52) **U.S. Cl.**  
USPC ..... **D15/5**

(58) **Field of Classification Search**  
USPC ..... D15/5, 148, 149, 199; D12/160, 159;  
475/226, 220, 149, 150, 151, 152, 153,  
475/154, 249, 248, 231; 192/70.11;  
180/305

See application file for complete search history.

(56) **References Cited**

**U.S. PATENT DOCUMENTS**

5,839,327	A	11/1998	Gage
6,109,615	A	8/2000	Gildea et al.
6,688,851	B2	2/2004	Phelan et al.
6,692,396	B1	2/2004	Grogg et al.
6,733,411	B1	5/2004	Kaplan et al.
7,318,511	B2	1/2008	Grogg
7,341,136	B2	3/2008	Park
7,361,114	B2	4/2008	Boddy
8,021,259	B2	9/2011	Hilker et al.

8,376,907	B2 *	2/2013	Poulin	.....	477/35
8,764,601	B2 *	7/2014	Martin, III	.....	475/230
8,870,702	B2 *	10/2014	Kii et al.	.....	475/231
2010/0093478	A1 *	4/2010	Guttenberger et al.	.....	475/149
2014/0011619	A1 *	1/2014	Pohl et al.	.....	475/149

\* cited by examiner

*Primary Examiner* — T. Chase Nelson

*Assistant Examiner* — Ania Aman

(74) *Attorney, Agent, or Firm* — Remarck Law Group PLC

(57) **CLAIM**

The ornamental design for a differential having externally mounted plenum, as shown and described.

**DESCRIPTION**

FIG. 1 is a side front perspective view of a differential having externally mounted plenum showing the new design.

FIG. 2 is a front perspective view of the differential having externally mounted plenum.

FIG. 3 is a first side elevation view of the differential having externally mounted plenum.

FIG. 4 is a second side elevation view of the differential having externally mounted plenum.

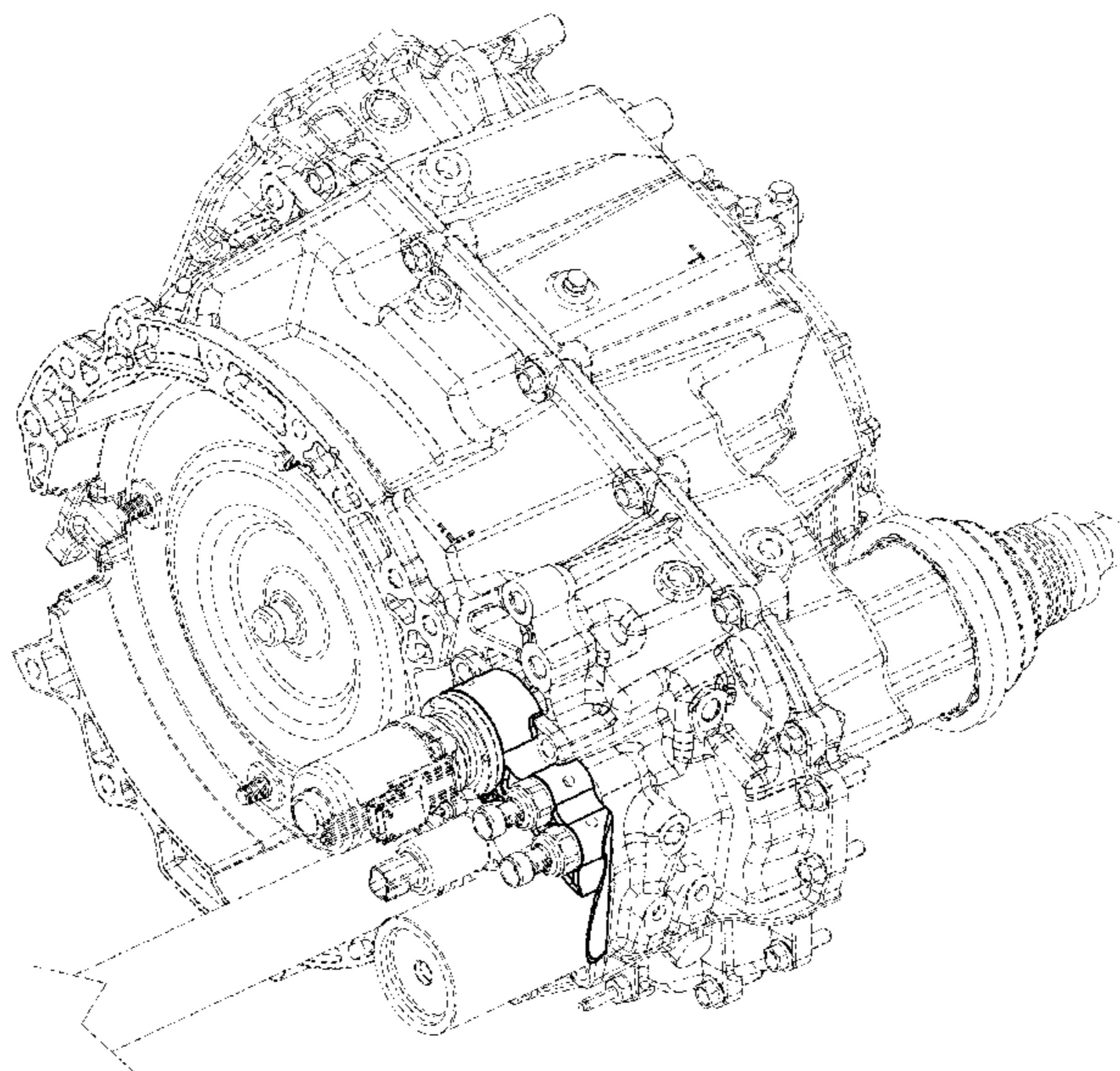
FIG. 5 is a bottom plan view of the differential having externally mounted plenum.

FIG. 6 is a front elevation view of the differential having externally mounted plenum; and,

FIG. 7 is a rear elevation view of the differential having externally mounted plenum.

Any portion of the differential having externally mounted plenum shown in broken lines is for the purpose of illustrating environmental structure and forms no part of the claimed design.

**1 Claim, 7 Drawing Sheets**



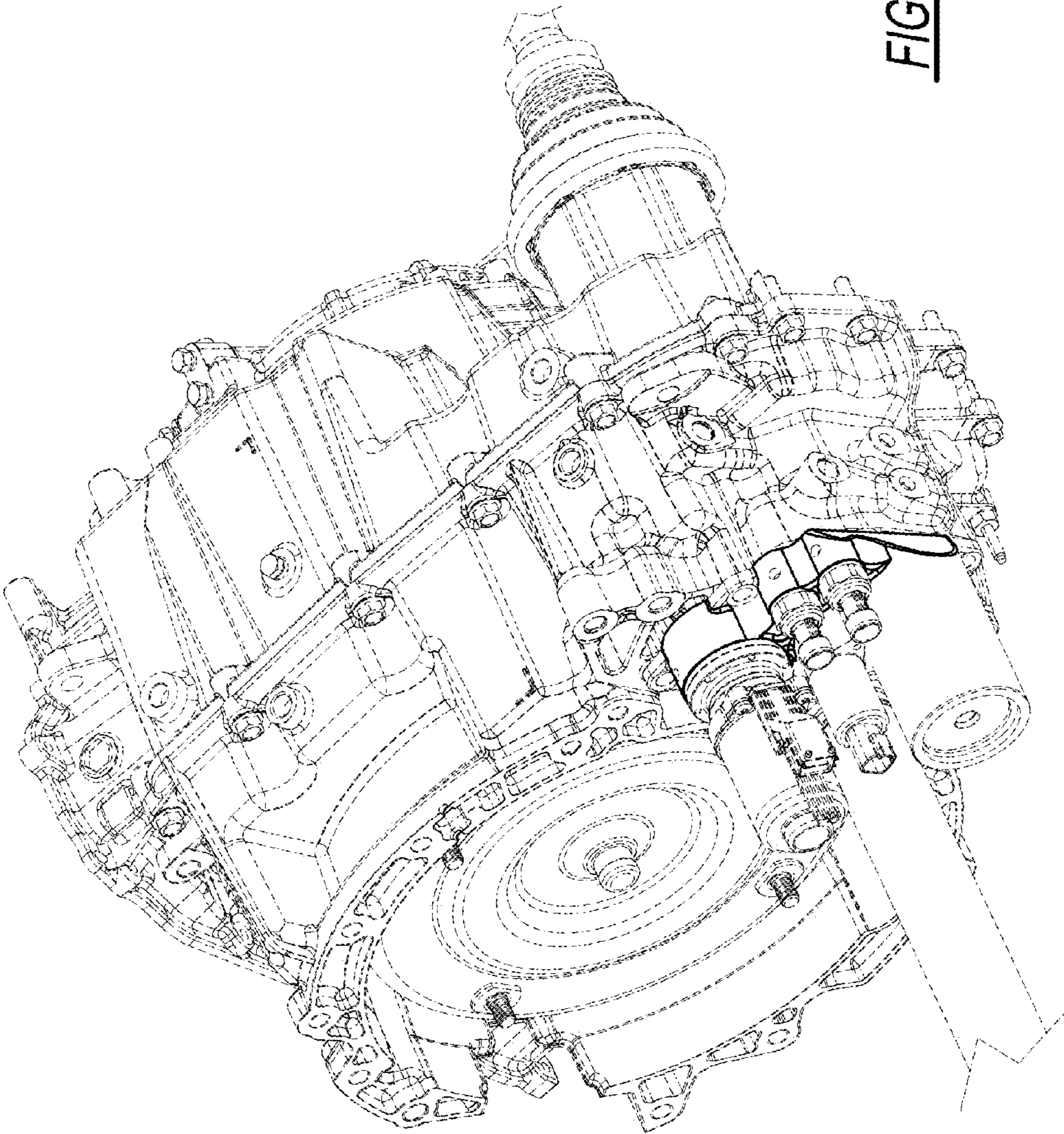
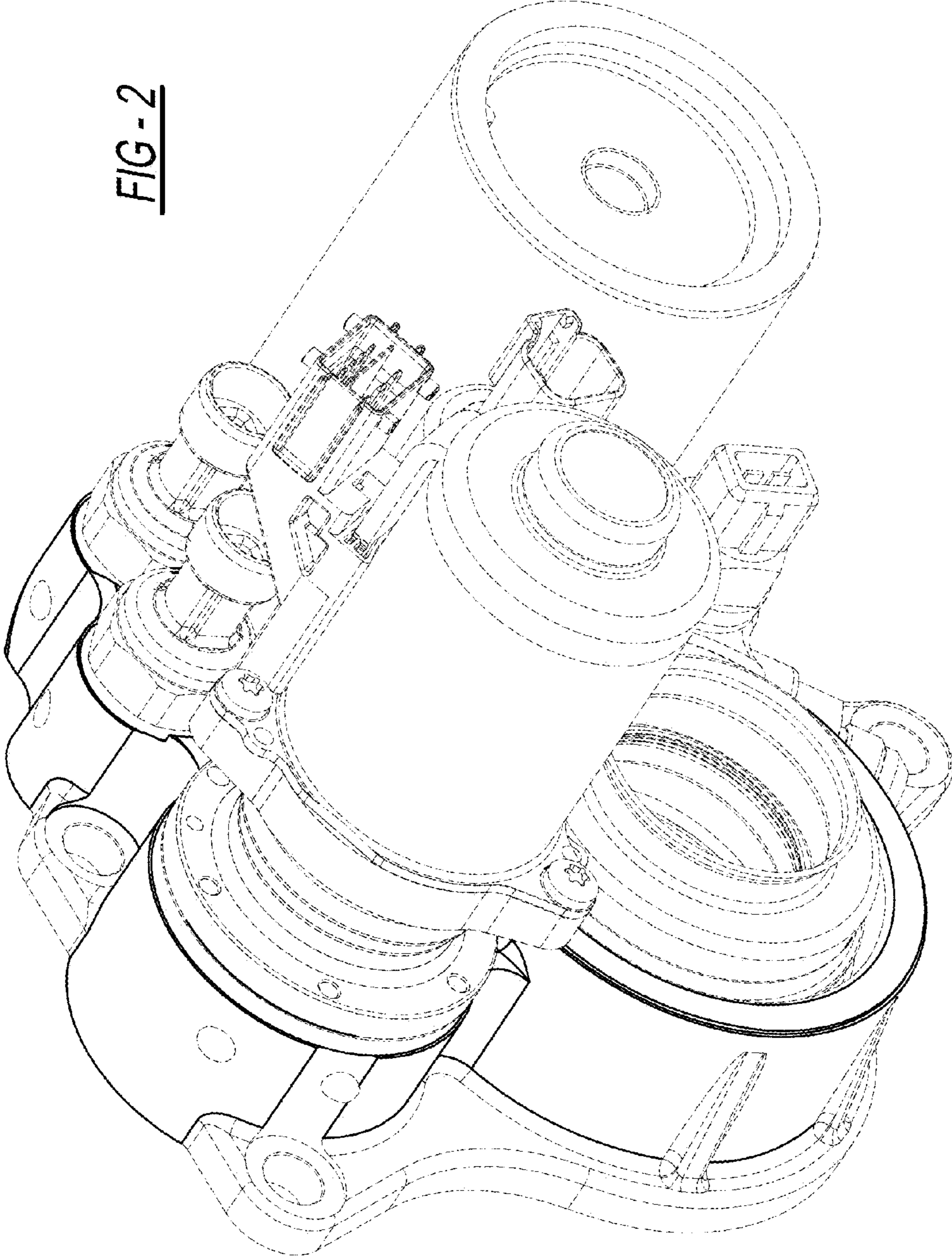


FIG-1

FIG - 2



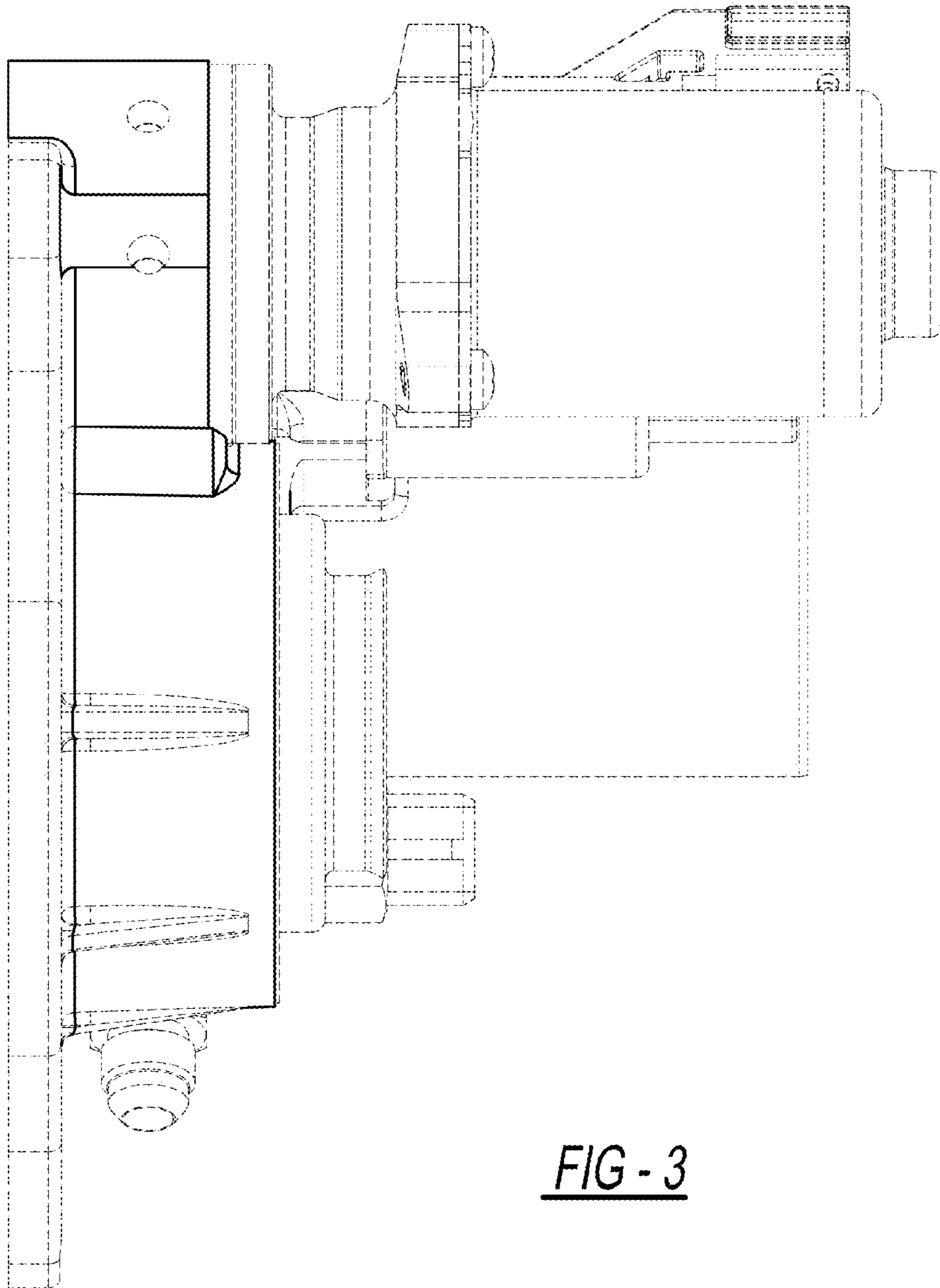


FIG - 3

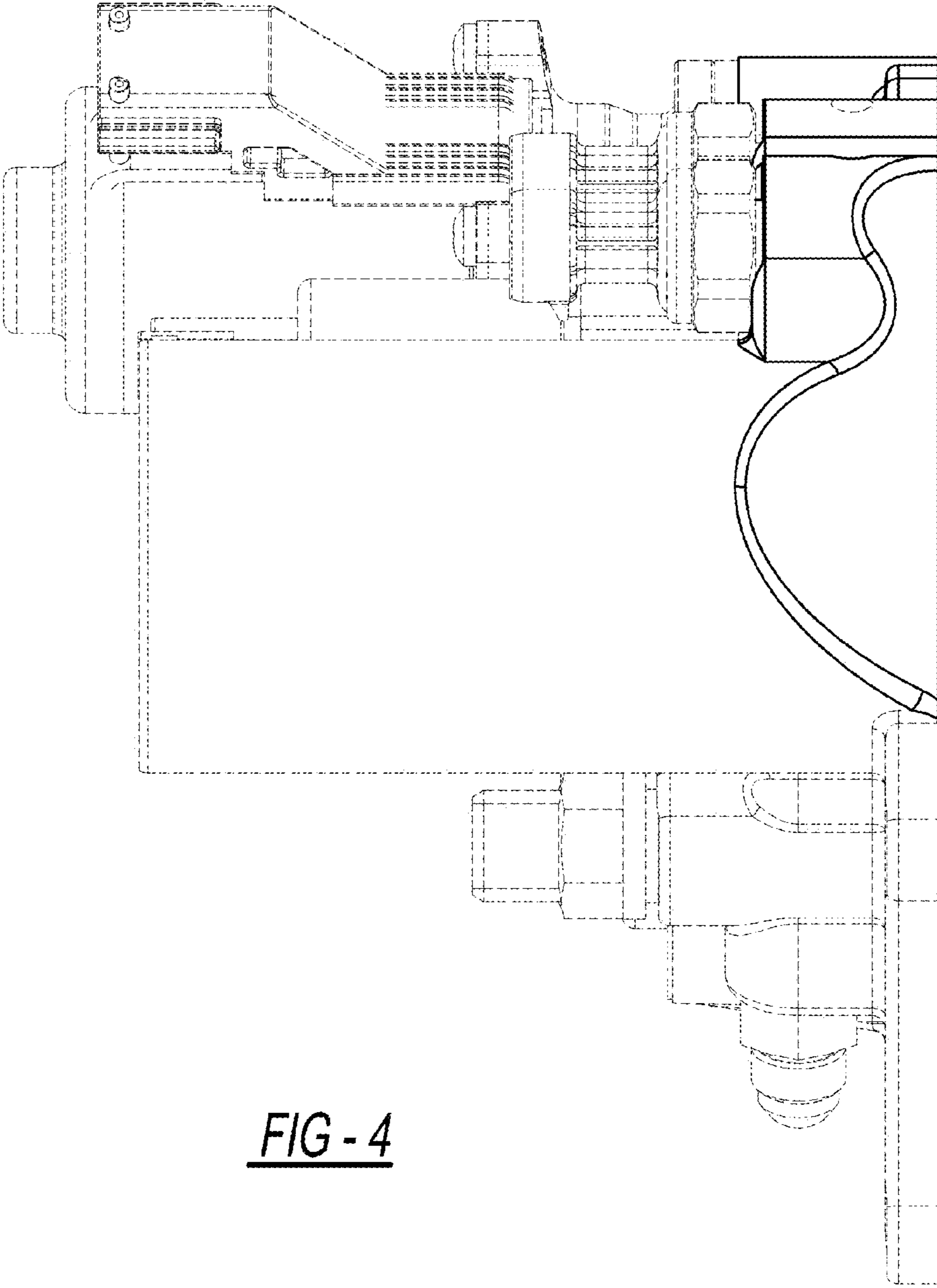


FIG - 4

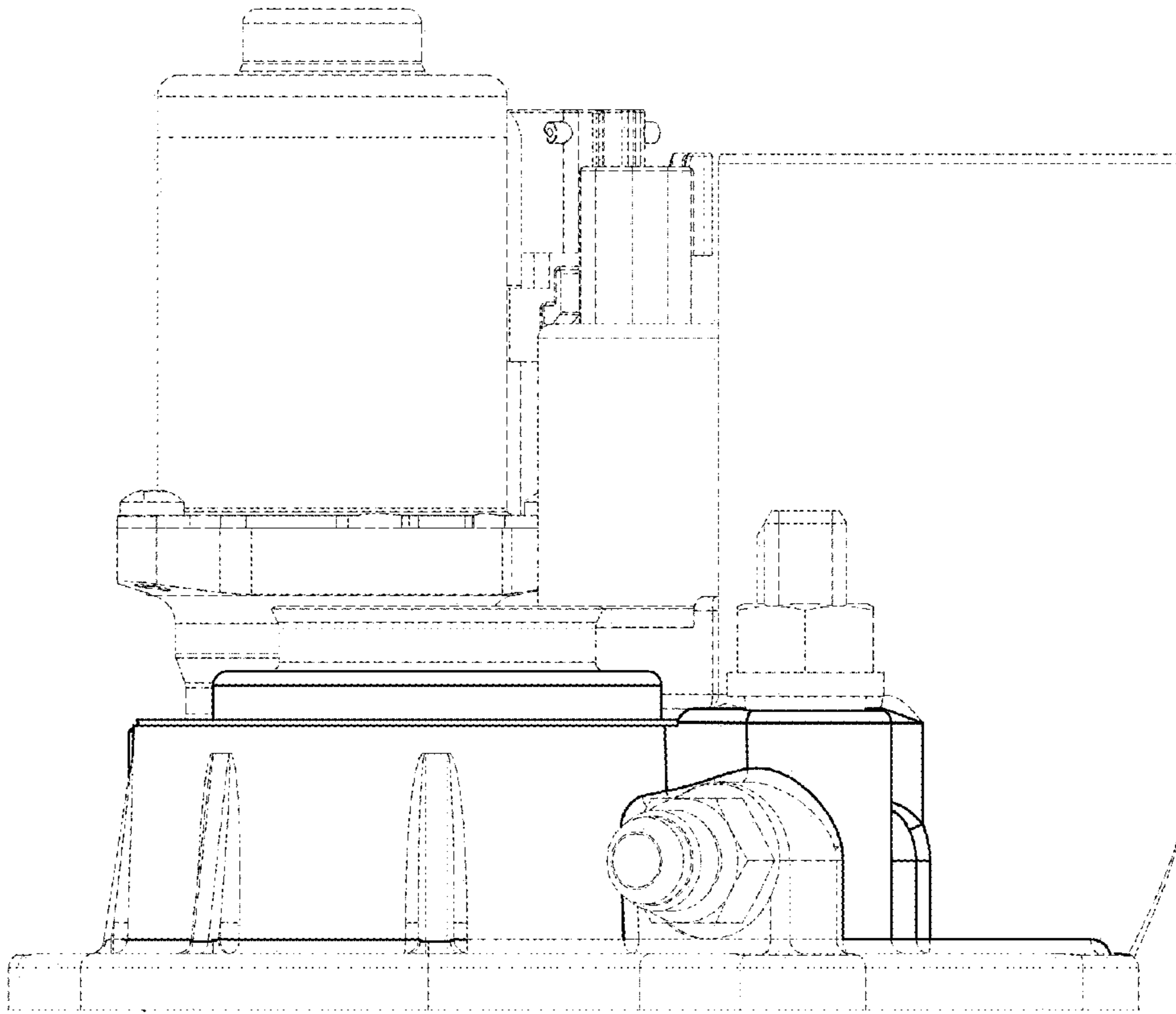


FIG - 5

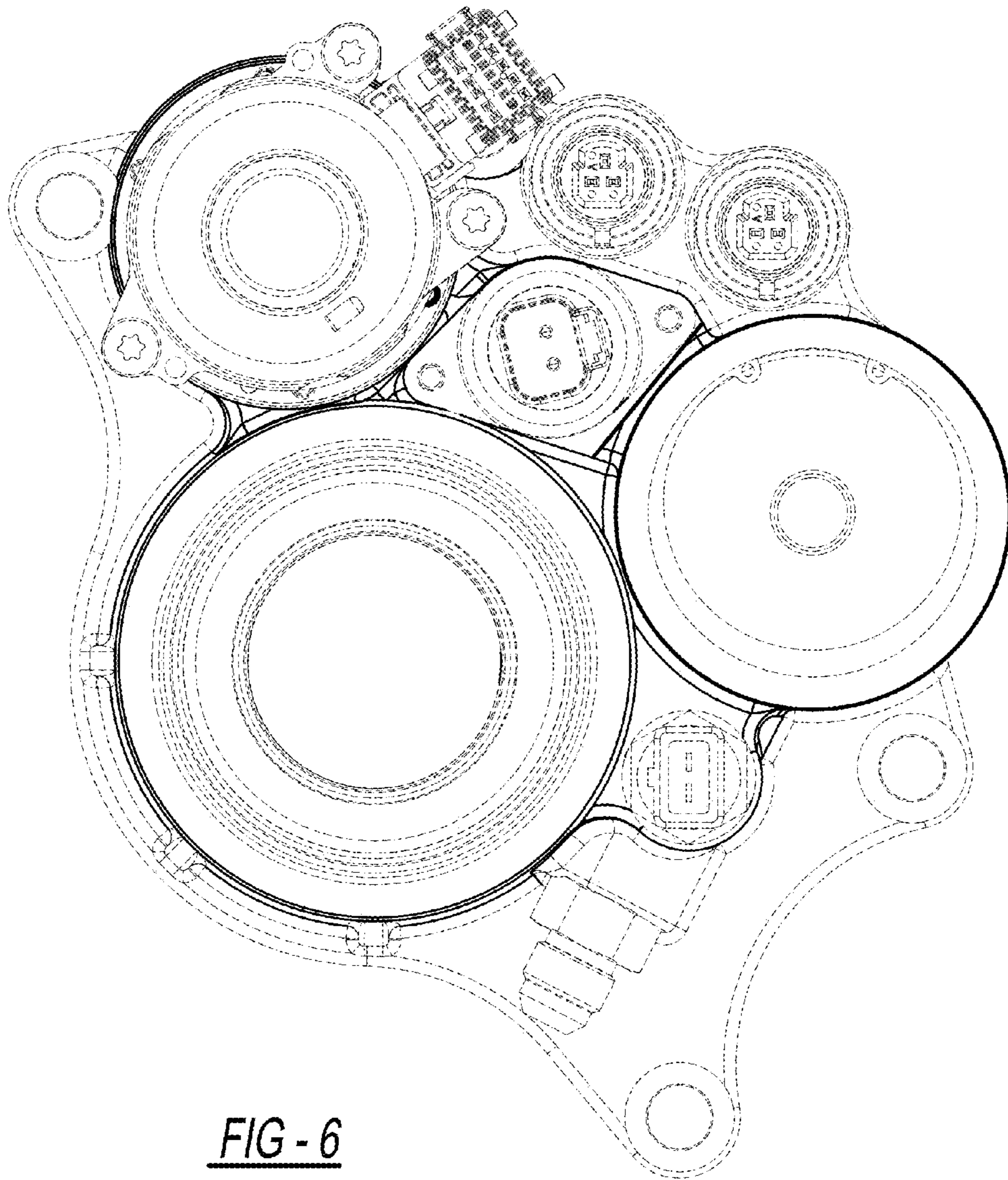


FIG - 6

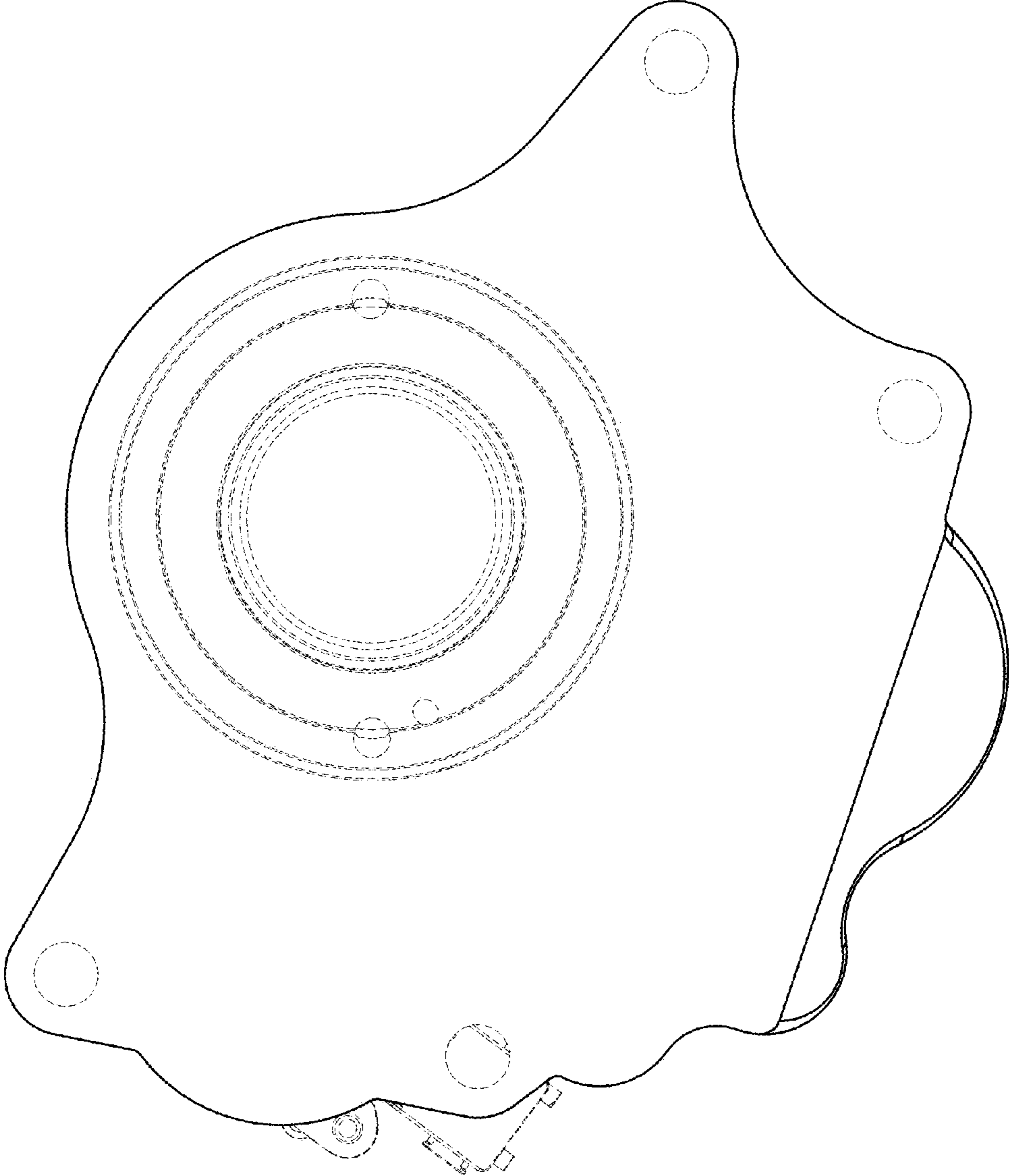


FIG - 7