



US00D741914S

(12) **United States Design Patent**
Fox et al.

(10) **Patent No.:** **US D741,914 S**
(45) **Date of Patent:** **** Oct. 27, 2015**

(54) **DIFFERENTIAL CASE HAVING LOCK PINS IN-LINE WITH CLUTCH EAR GUIDES**

(71) Applicant: **Eaton Corporation**, Cleveland, OH (US)

(72) Inventors: **Matthew G. Fox**, Ceresco, MI (US);
Jeffrey A. Oesch, Roseville, MI (US)

(73) Assignee: **Eaton Corporation**, Cleveland, OH (US)

(**) Term: **14 Years**

(21) Appl. No.: **29/465,420**

(22) Filed: **Aug. 28, 2013**

(51) **LOC (10) Cl.** **15-01**

(52) **U.S. Cl.**
USPC **D15/5**

(58) **Field of Classification Search**
USPC D15/5, 148, 149, 199; D12/160, 159;
475/226, 220, 149, 150, 151, 152, 153,
475/154, 249, 248, 231; 192/70.11;
180/305

See application file for complete search history.

(56) **References Cited**

U.S. PATENT DOCUMENTS

6,007,449 A * 12/1999 Okada et al. 475/231
6,293,891 B1 9/2001 Irwin et al.

(Continued)

Primary Examiner — T. Chase Nelson

Assistant Examiner — Ania Aman

(74) *Attorney, Agent, or Firm* — Remarck Law Group PLC

(57) **CLAIM**

The ornamental design for a differential case having lock pins in-line with clutch ear guides, as shown and described.

DESCRIPTION

FIG. 1 is a first perspective view of a first embodiment of a differential case having lock pins in-line with clutch ear guides.

FIG. 2 is a second perspective view of the first embodiment of a differential case having lock pins in-line with clutch ear guides of FIG. 1.

FIG. 3 is a top view of the first embodiment of the differential case having lock pins in-line with clutch ear guides of FIG. 1.

FIG. 4 is a first side view of the first embodiment of the differential case having lock pins in-line with clutch ear guides of FIG. 1.

FIG. 5 is a second side view of the first embodiment of the differential case having lock pins in-line with clutch ear guides of FIG. 1.

FIG. 6 is a bottom view of the first embodiment of the differential case having lock pins in-line with clutch ear guides of FIG. 1.

FIG. 7 is a partial side view of the first embodiment of the differential case having lock pins in-line with clutch ear guides of FIG. 1.

FIG. 8 is a first perspective view of a second embodiment of a differential case having lock pins in-line with clutch ear guides.

FIG. 9 is a second perspective view of the second embodiment of the differential case having lock pins in-line with clutch ear guides of FIG. 8.

FIG. 10 is a top view of the second embodiment of the differential case having lock pins in-line with clutch ear guides of FIG. 8.

FIG. 11 is a first side view of the second embodiment of the differential case having lock pins in-line with clutch ear guides of FIG. 8.

FIG. 12 is a second side view of the second embodiment of the differential case having lock pins in-line with clutch ear guides of FIG. 8.

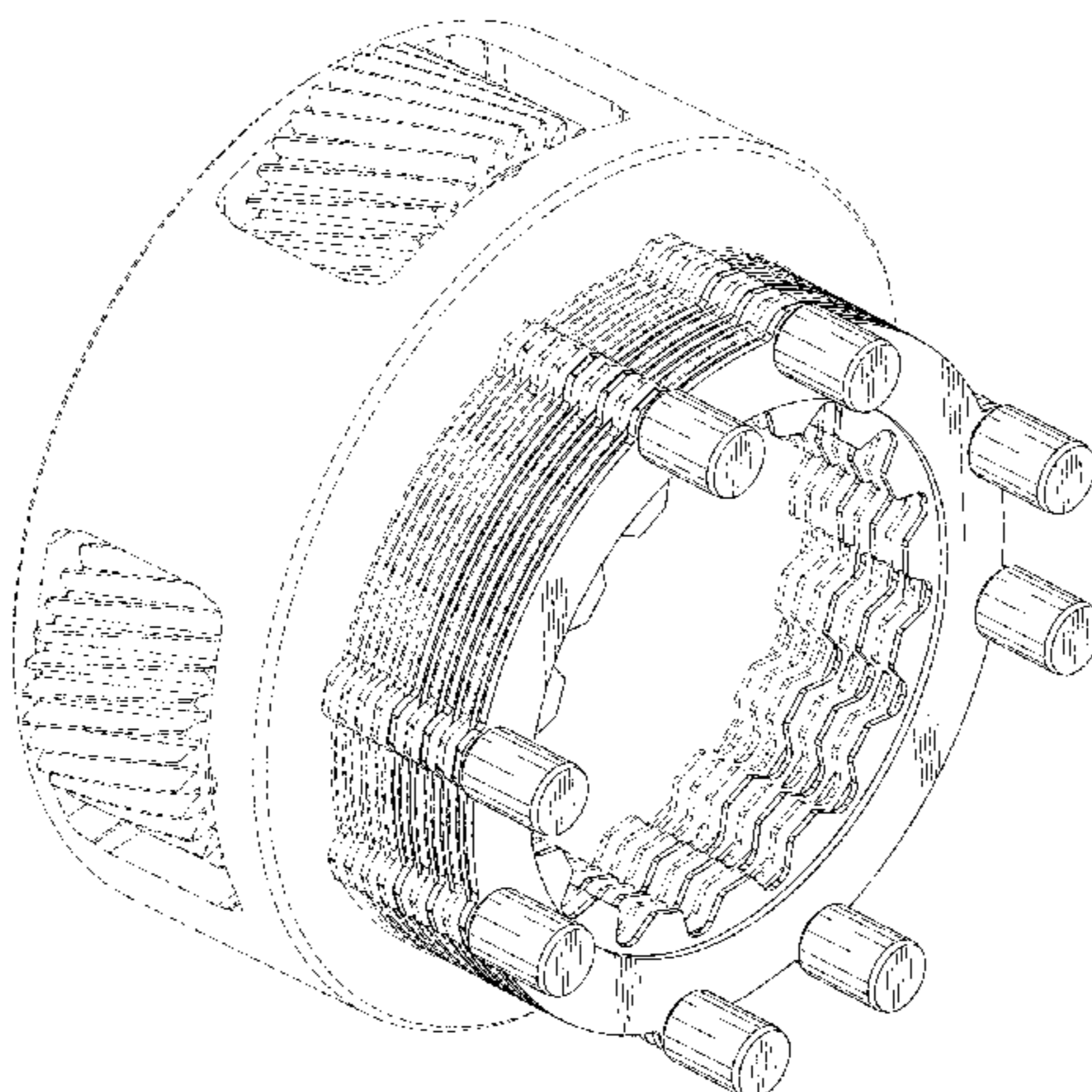
FIG. 13 is a bottom view of the second embodiment of the differential case having lock pins in-line with clutch ear guides of FIG. 8; and,

FIG. 14 is a partial side view of the second embodiment of the differential case having lock pins in-line with clutch ear guides of FIG. 8.

The broken line shown in the drawings are for the purpose of illustrating portions of the article that form no part of the claimed design.

Any portion of the differential case having lock pins in-line with clutch ear guides shown in broken lines is for the purpose of illustrating environmental structure and forms no part of the claimed design.

1 Claim, 14 Drawing Sheets



(56)

References Cited

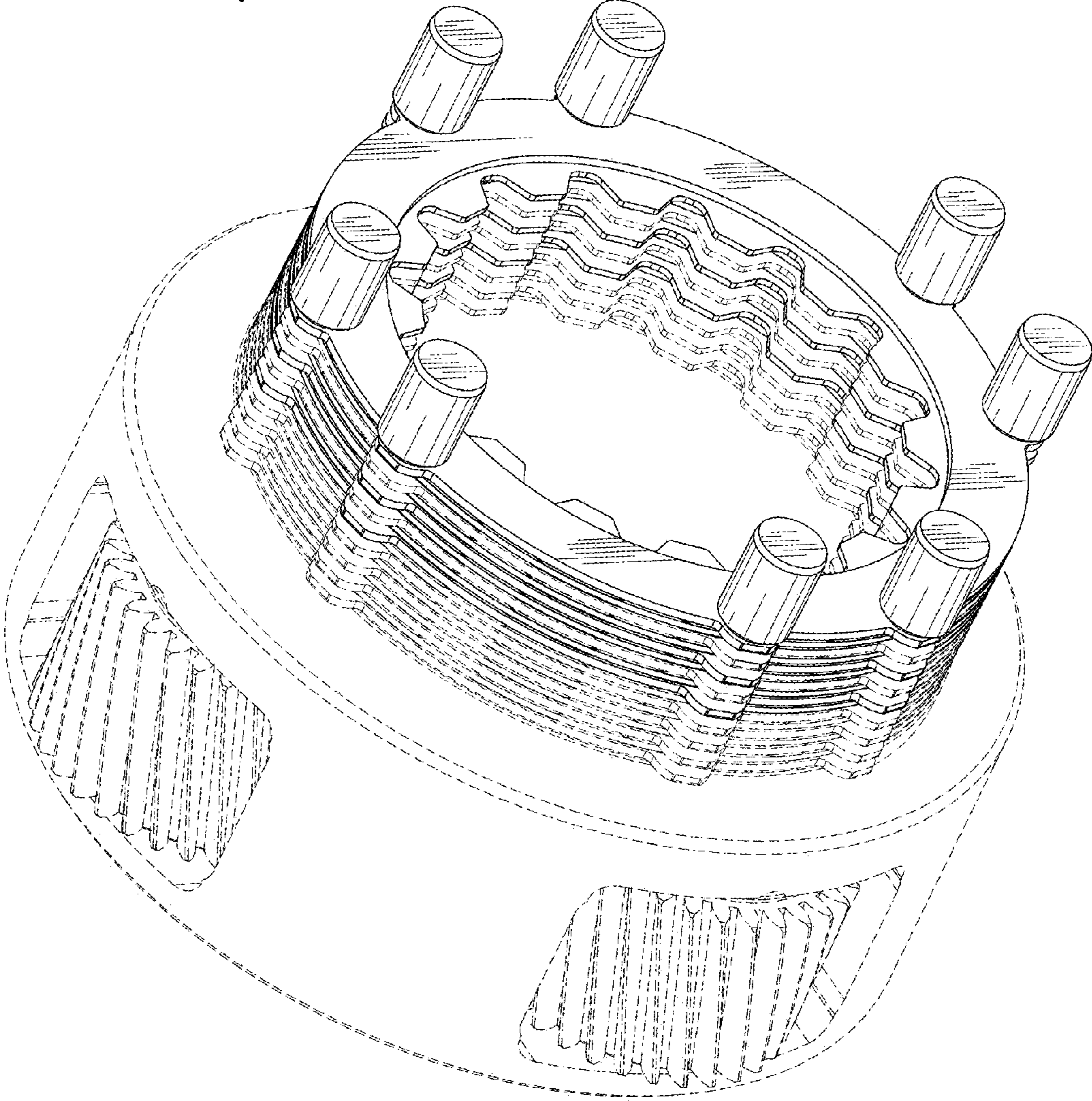
U.S. PATENT DOCUMENTS

7,758,462 B2 7/2010 Veldman et al.
8,544,174 B2 10/2013 Isken et al.
8,591,375 B2 11/2013 Maruyama et al.

2004/0182647 A1* 9/2004 Watanabe et al. 184/11.4
2010/0323840 A1 12/2010 Radzevich et al.
2013/0225356 A1 8/2013 Tanaka et al.
2014/0045638 A1* 2/2014 Roscoe 475/230
2014/0141921 A1* 5/2014 Fox et al. 475/231

* cited by examiner

FIG - 1



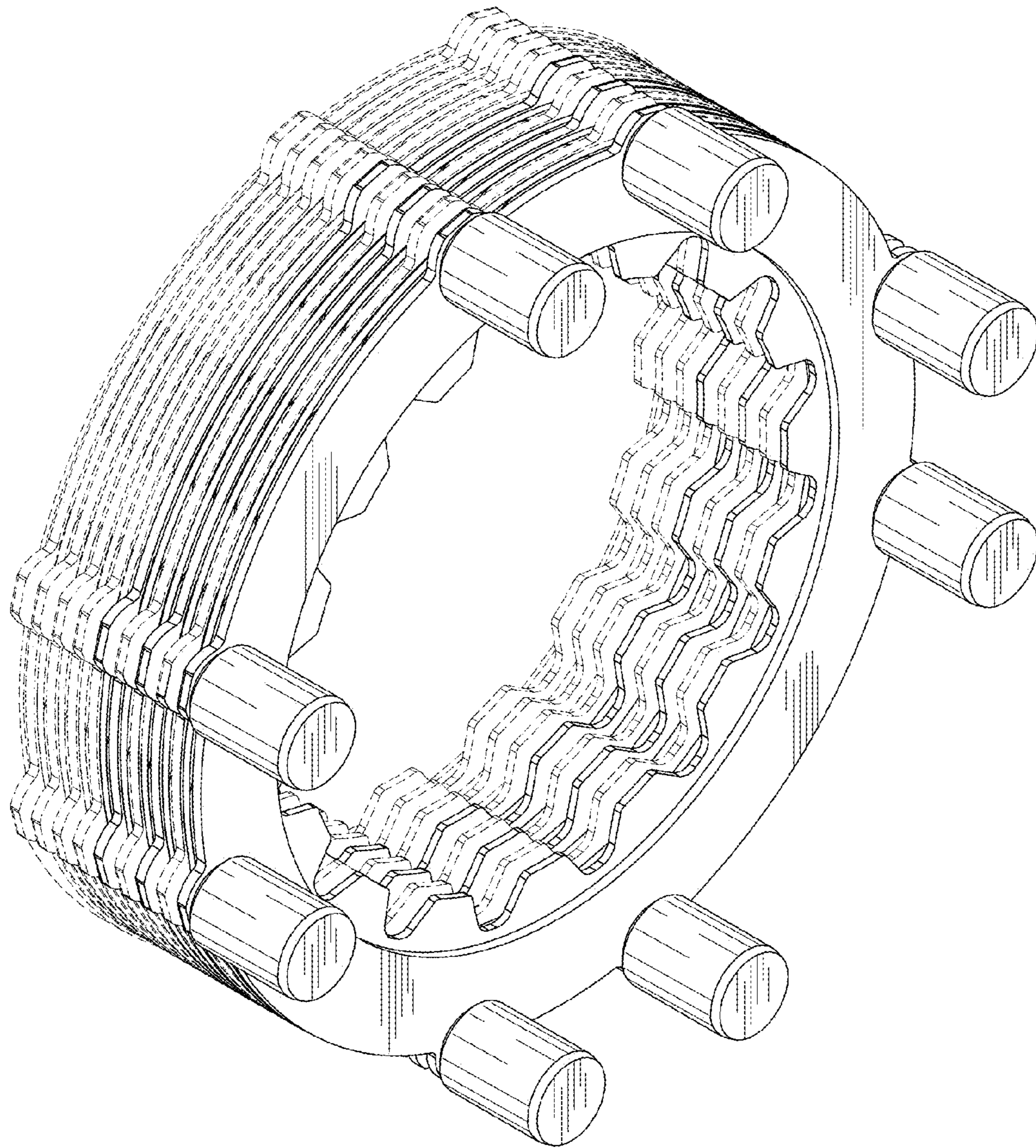


FIG - 2

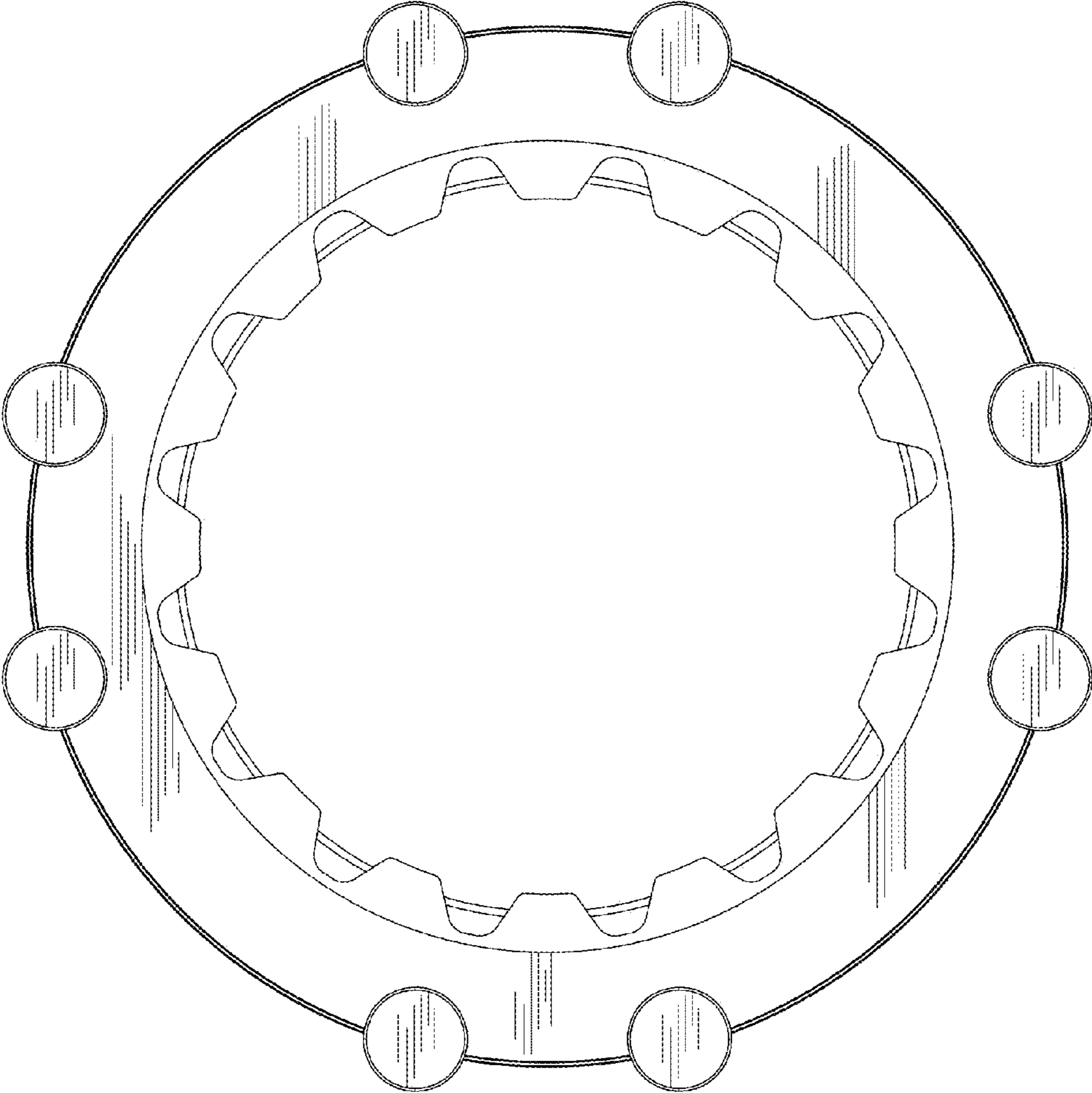


FIG - 3

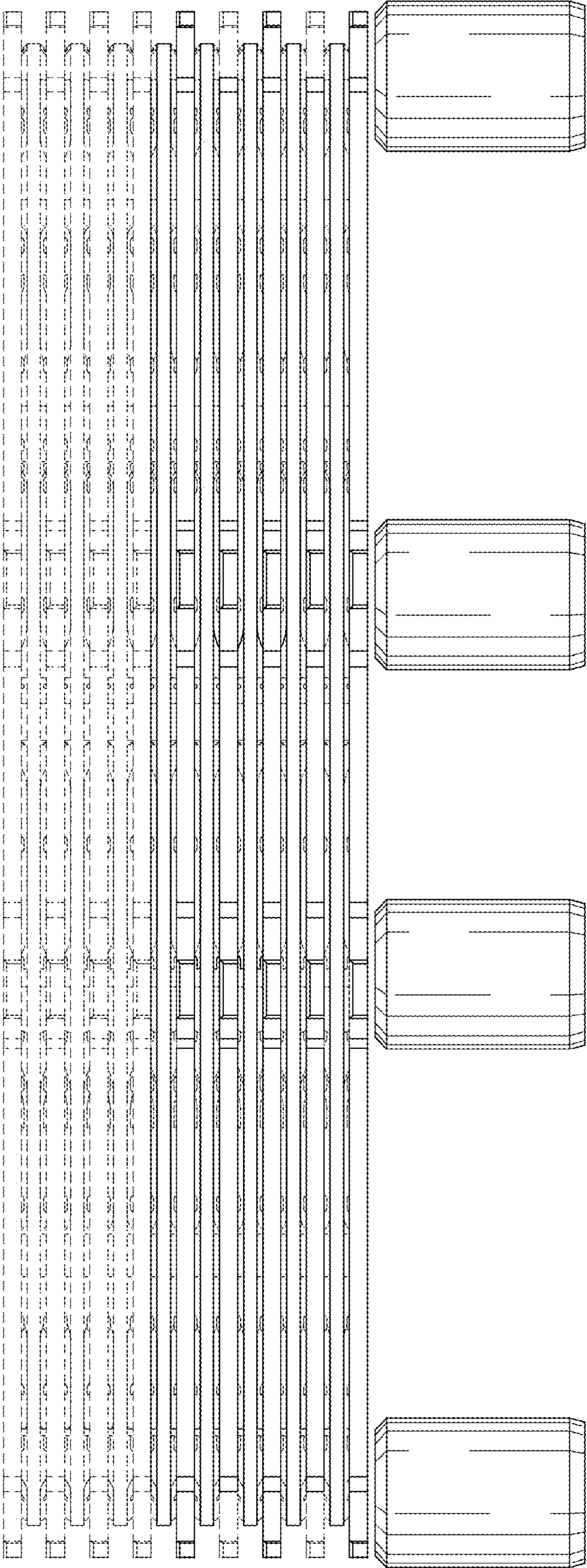


FIG - 4

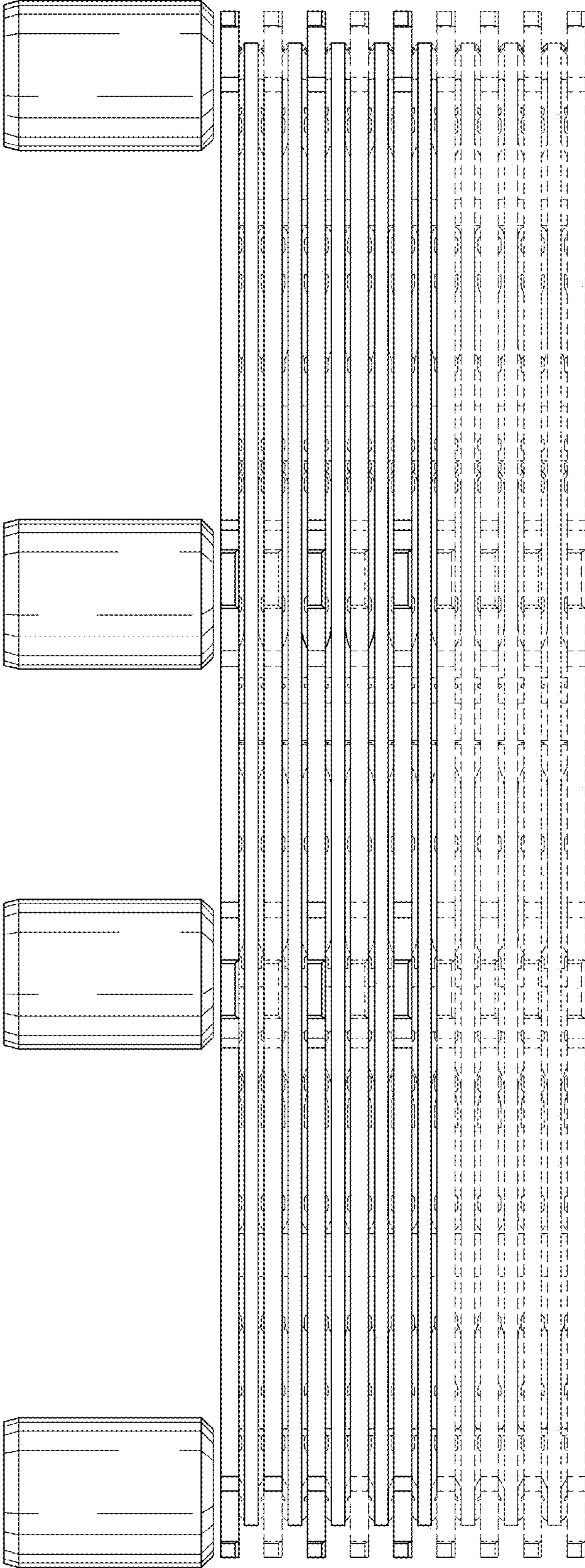


FIG - 5

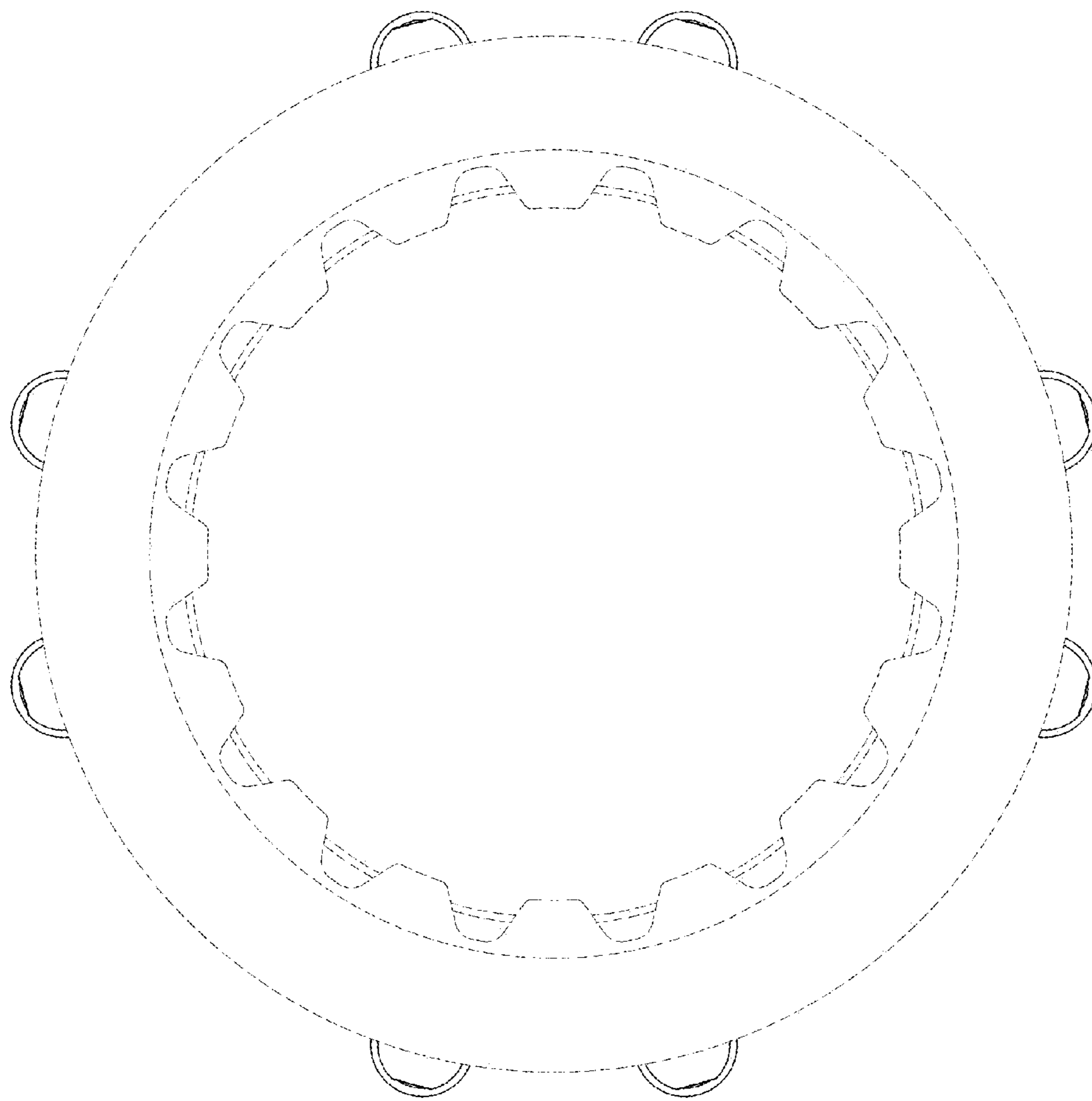


FIG - 6

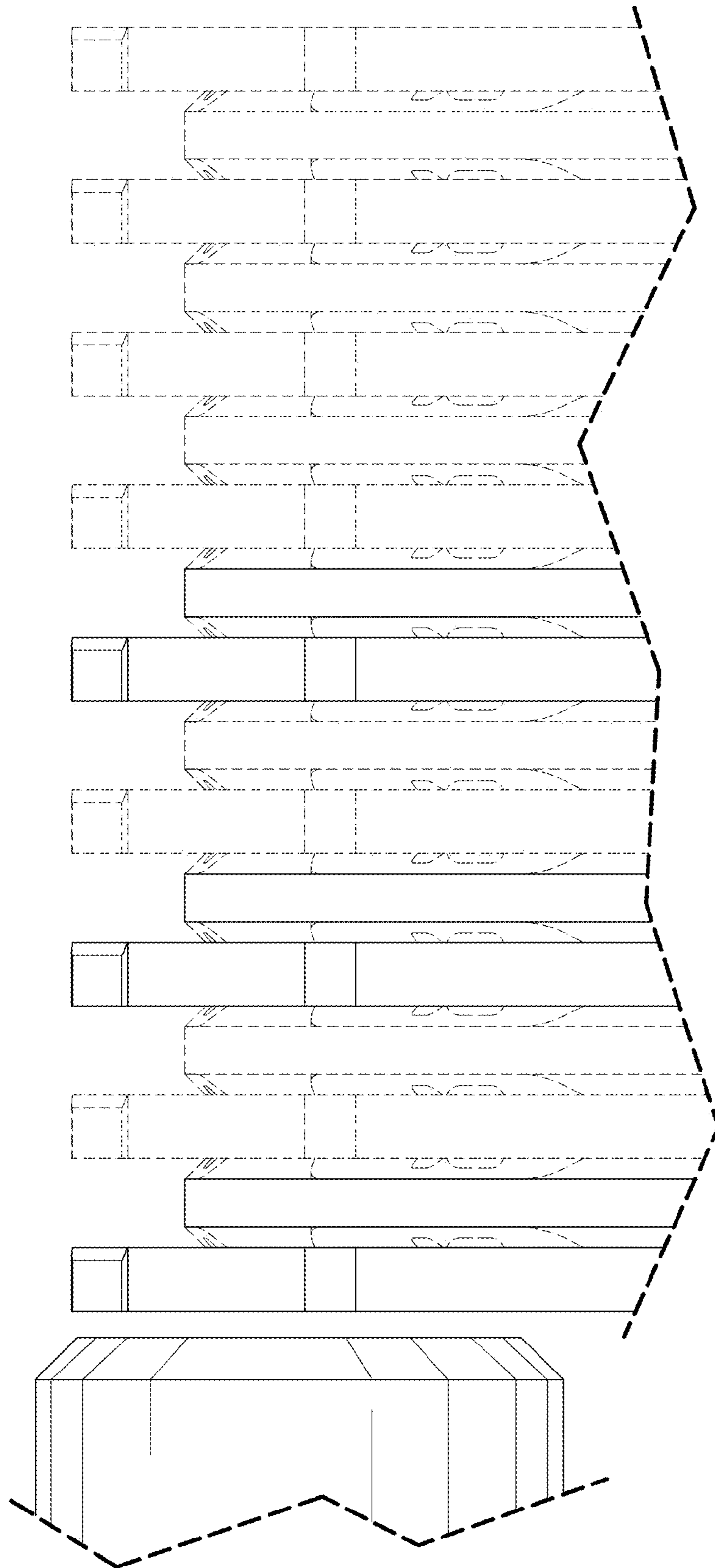
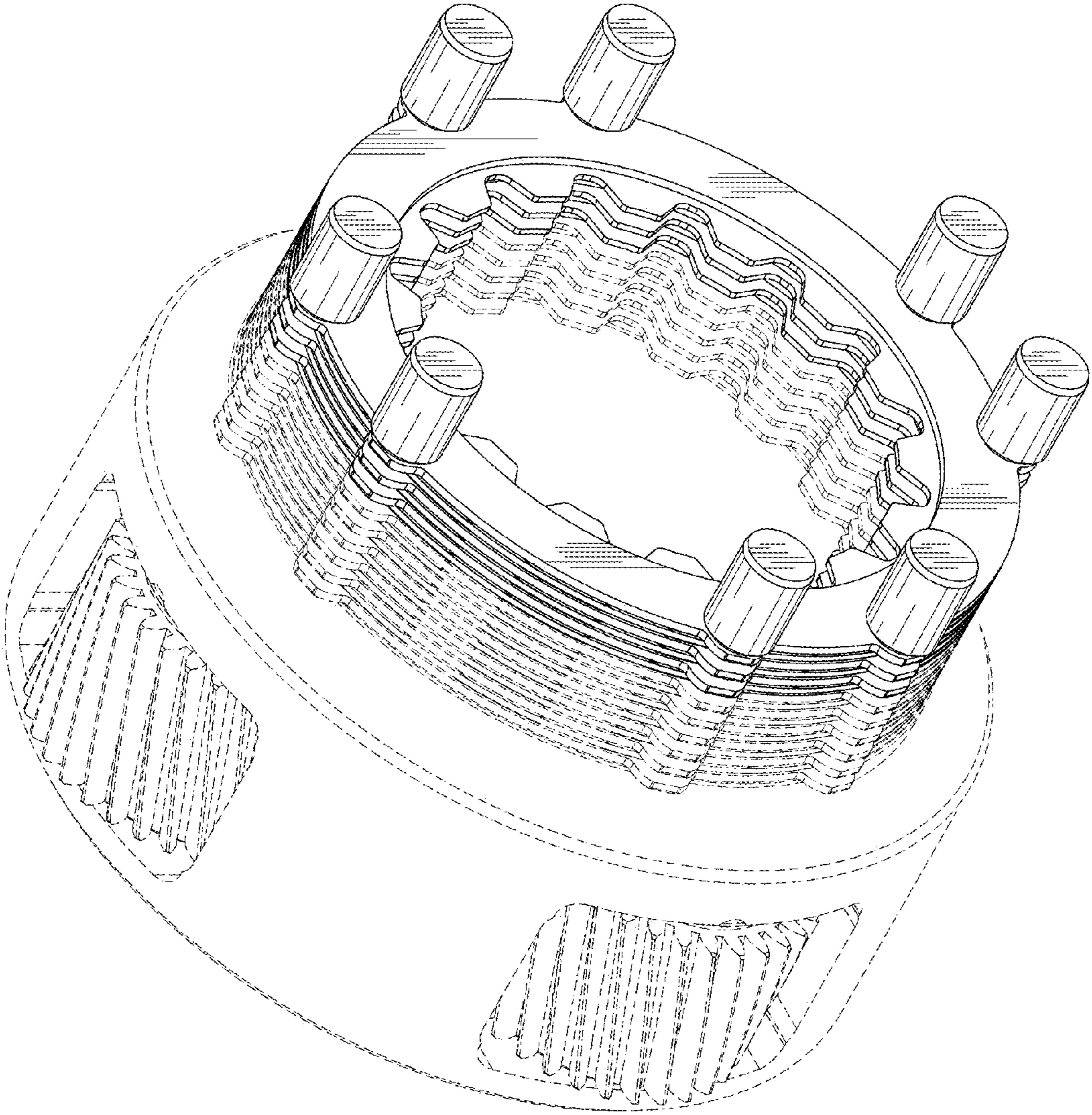


FIG-7

FIG - 8



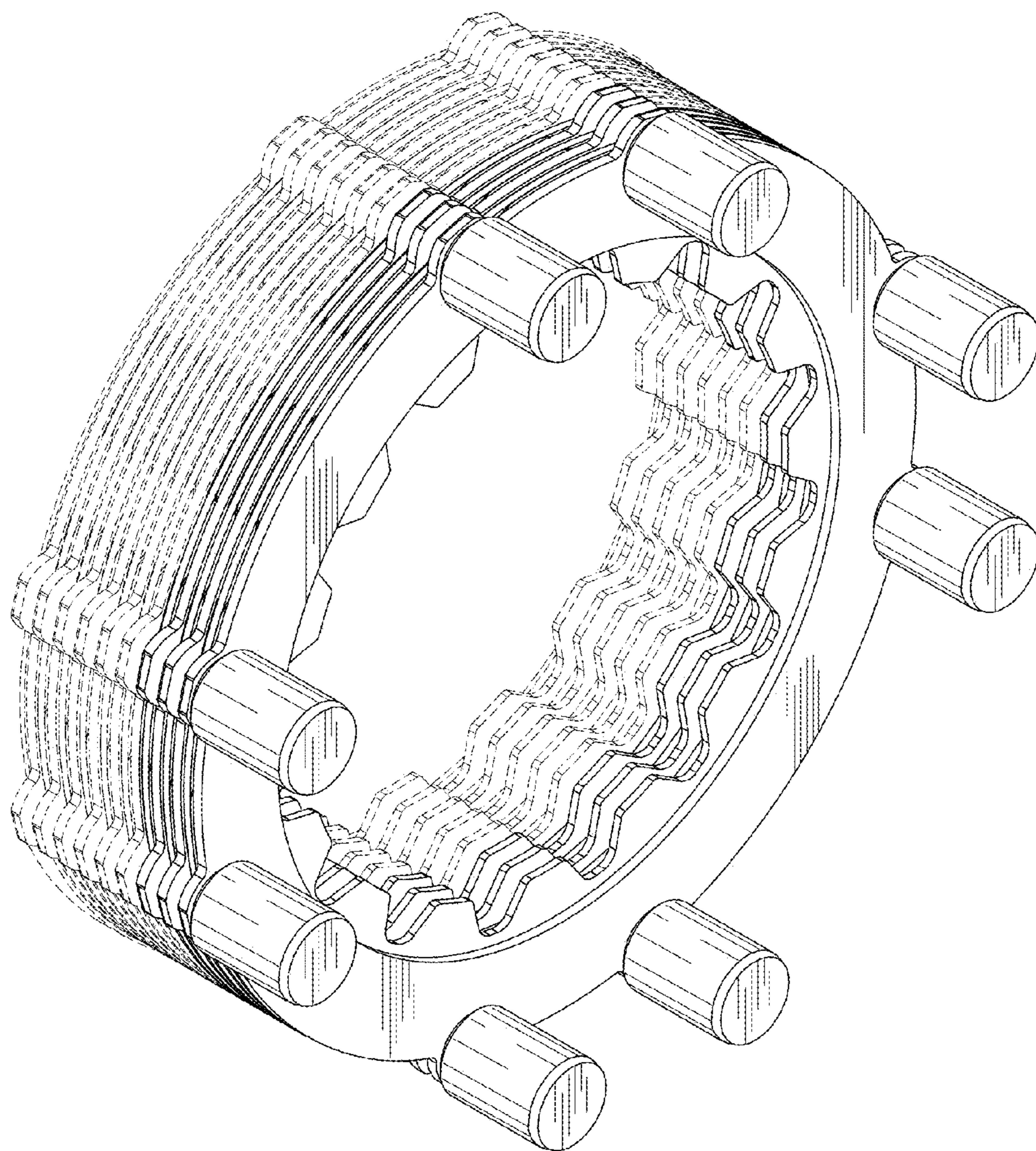


FIG - 9

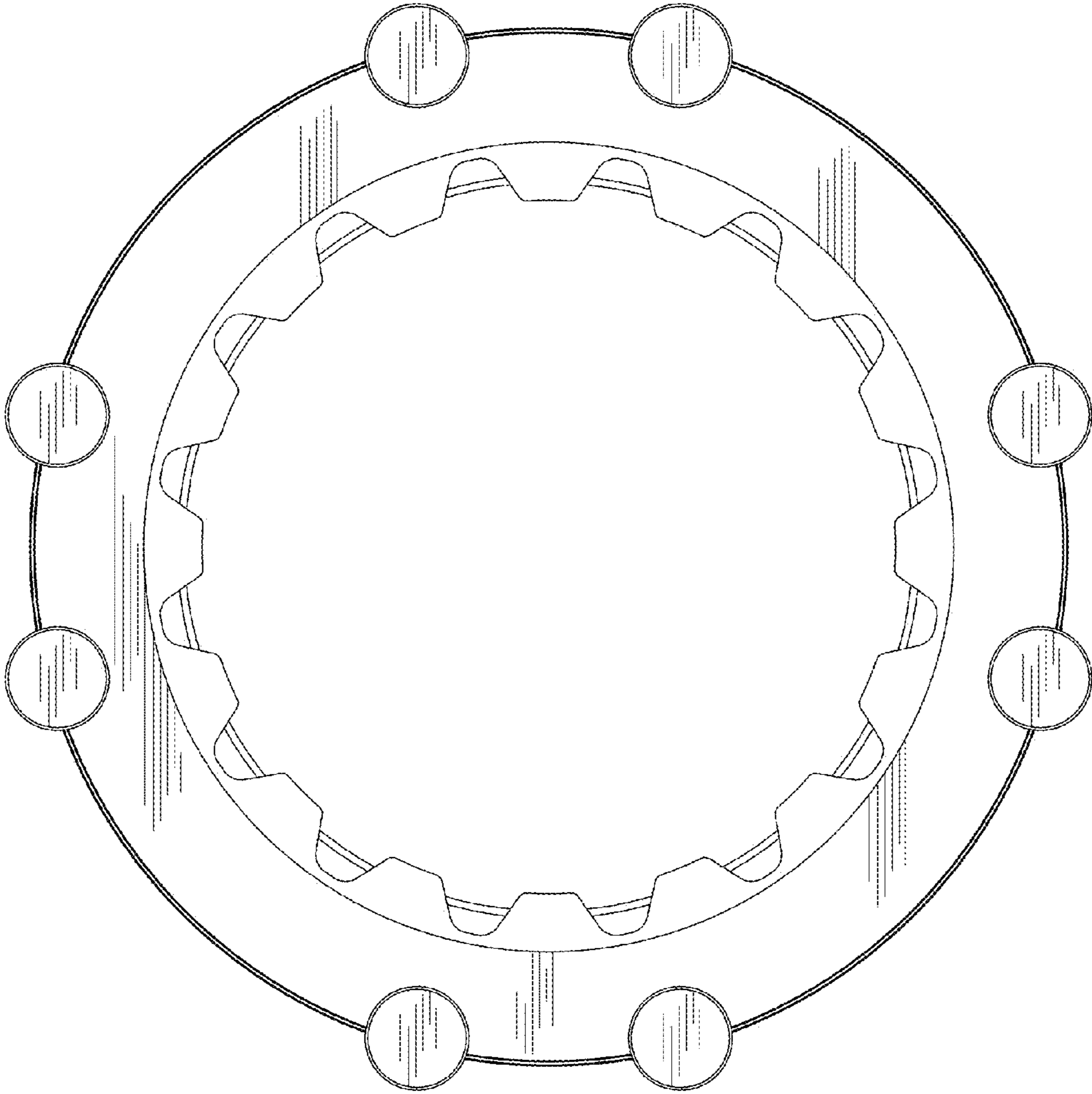


FIG - 10

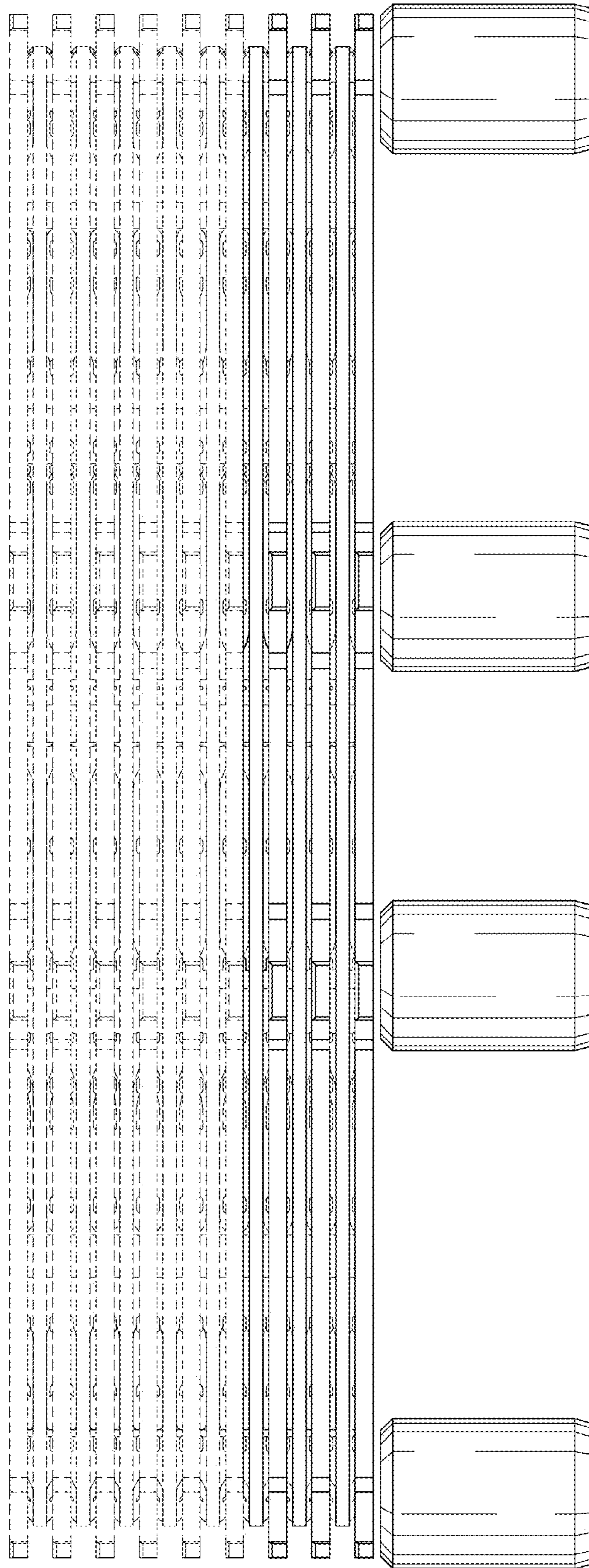


FIG - 11

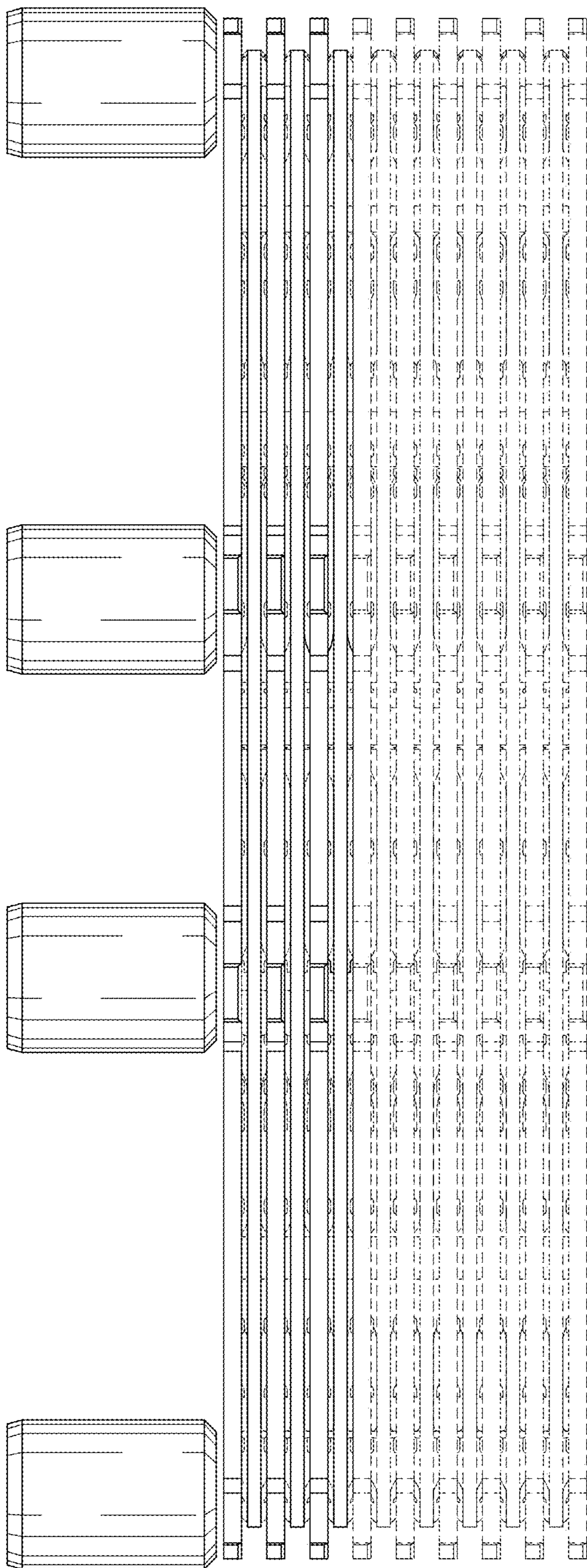


FIG - 12

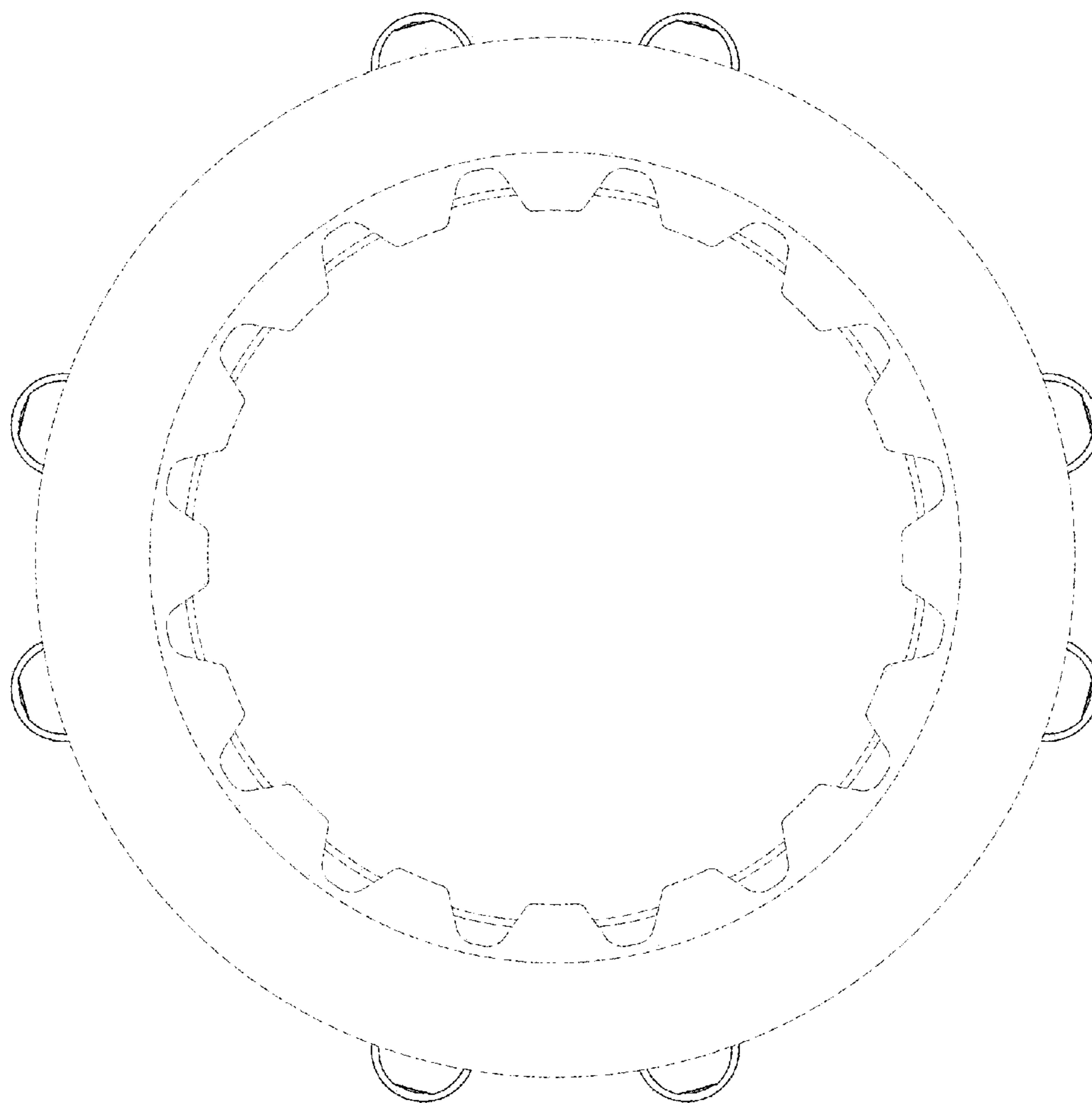


FIG - 13

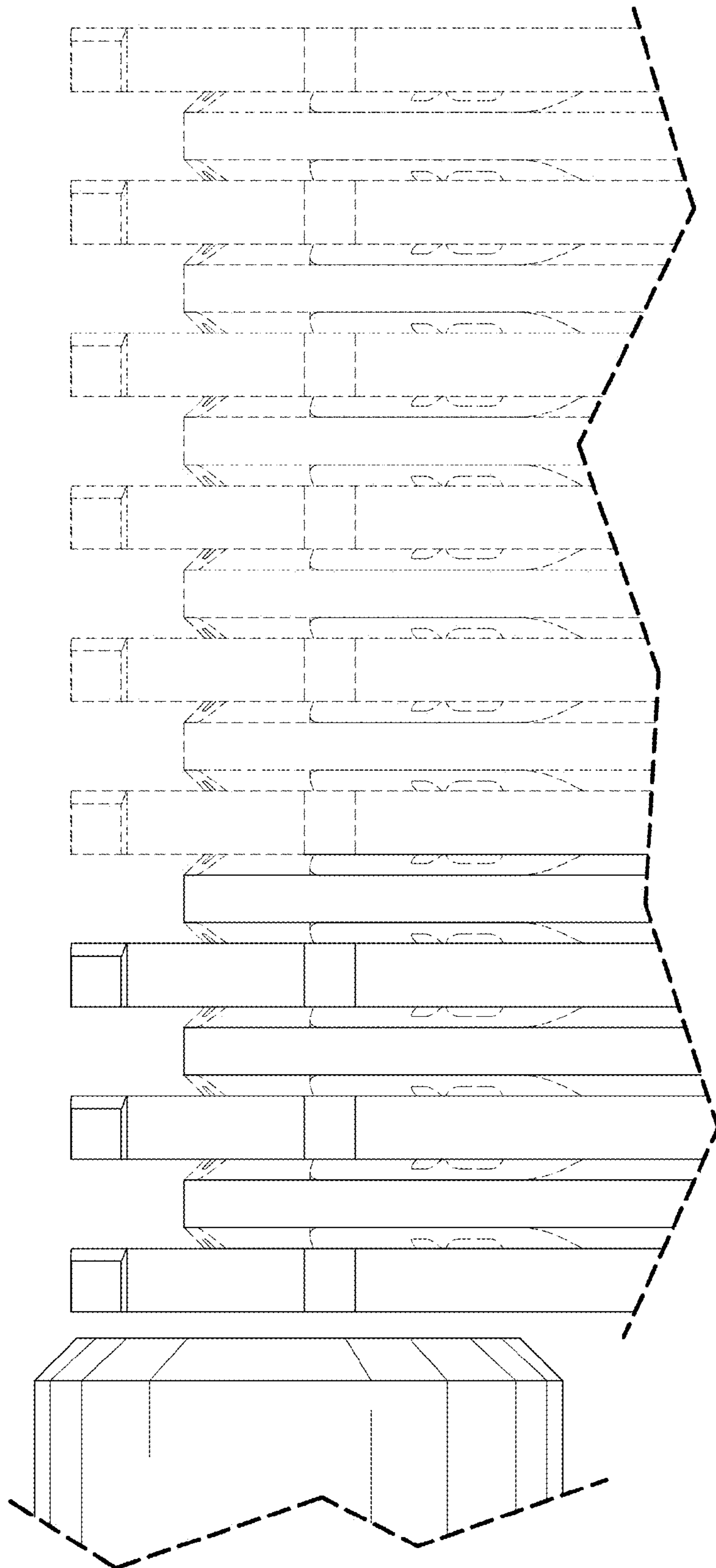


FIG - 14