



US00D741913S

(12) **United States Design Patent**
Besemer et al.

(10) **Patent No.:** **US D741,913 S**
(45) **Date of Patent:** **** Oct. 27, 2015**

(54) **INTEGRATED ELECTRONIC LIMITED SLIP
REAR WHEEL DRIVE AXLE COVER**

(71) Applicant: **Eaton Corporation**, Cleveland, OH
(US)

(72) Inventors: **Scott M. Besemer**, Battle Creek, MI
(US); **Daniel P. Fisher**, Coldwater, MI
(US); **Andrew N. Edler**, Homer, MI
(US); **Gregory L. Heatwole**, Marshall,
MI (US)

(73) Assignee: **Eaton Corporation**, Cleveland, OH
(US)

(**) Term: **14 Years**

(21) Appl. No.: **29/456,975**

(22) Filed: **Jun. 5, 2013**

(51) **LOC (10) Cl.** **15-01**

(52) **U.S. Cl.**
USPC **D15/5**

(58) **Field of Classification Search**
USPC D15/5, 148, 149, 199; D12/160, 159;
475/226, 220, 149, 150, 151, 152, 153,
475/154, 249, 248; 192/70.11; 180/305
See application file for complete search history.

(56) **References Cited**

U.S. PATENT DOCUMENTS

D220,541 S *	4/1971	Liddiard	D15/148
D327,280 S	6/1992	Macomber		
5,595,214 A	1/1997	Shaffer et al.		
D424,988 S	5/2000	Rothlisberger		
6,675,676 B2	1/2004	Beutler		
7,004,879 B2 *	2/2006	Beutler	475/230
7,241,246 B2	7/2007	Beutler		

8,123,016 B2	2/2012	Lundstrom		
8,261,870 B2	9/2012	Johnson et al.		
8,292,016 B1	10/2012	Johnson et al.		
8,657,716 B1	2/2014	Whyte		
2005/0126749 A1 *	6/2005	Matti et al.	165/41
2006/0054411 A1 *	3/2006	Fett et al.	184/6.22
2008/0312023 A1 *	12/2008	Beutler et al.	475/161
2010/0043594 A1 *	2/2010	Hilker et al.	74/607
2011/0179904 A1 *	7/2011	Harnden et al.	74/607

* cited by examiner

Primary Examiner — T. Chase Nelson

Assistant Examiner — Ania Aman

(74) *Attorney, Agent, or Firm* — Remarck Law Group PLC

(57) **CLAIM**

The ornamental design for an integrated electronic limited slip rear wheel drive axle cover, as shown and described.

DESCRIPTION

FIG. 1 is a perspective view of an integrated electronic limited slip rear wheel drive axle cover showing the new design.

FIG. 2 is a front elevation view of the integrated electronic limited slip rear wheel drive axle cover.

FIG. 3 is a first side elevation view of the integrated electronic limited slip rear wheel drive axle cover.

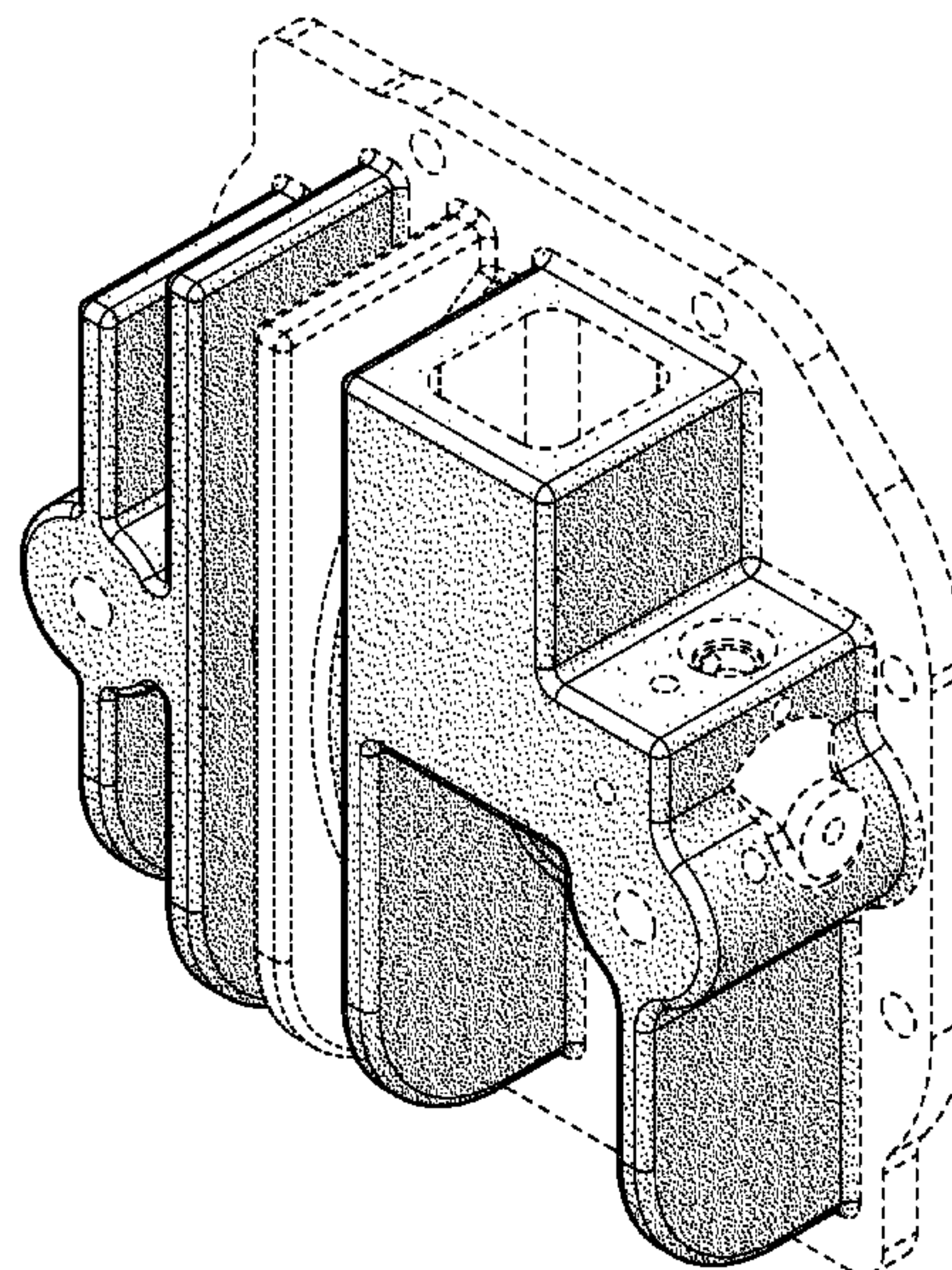
FIG. 4 is a second side elevation view of integrated electronic limited slip rear wheel drive axle cover.

FIG. 5 is a top plan view of the integrated electronic limited slip rear wheel drive axle cover; and,

FIG. 6 is a bottom plan view of the integrated electronic limited slip rear wheel drive axle cover.

Any portion of the integrated electronic limited slip rear wheel drive axle cover configuration shown in broken lines is for the purpose of illustrating environmental structure and forms no part of the claimed design.

1 Claim, 4 Drawing Sheets



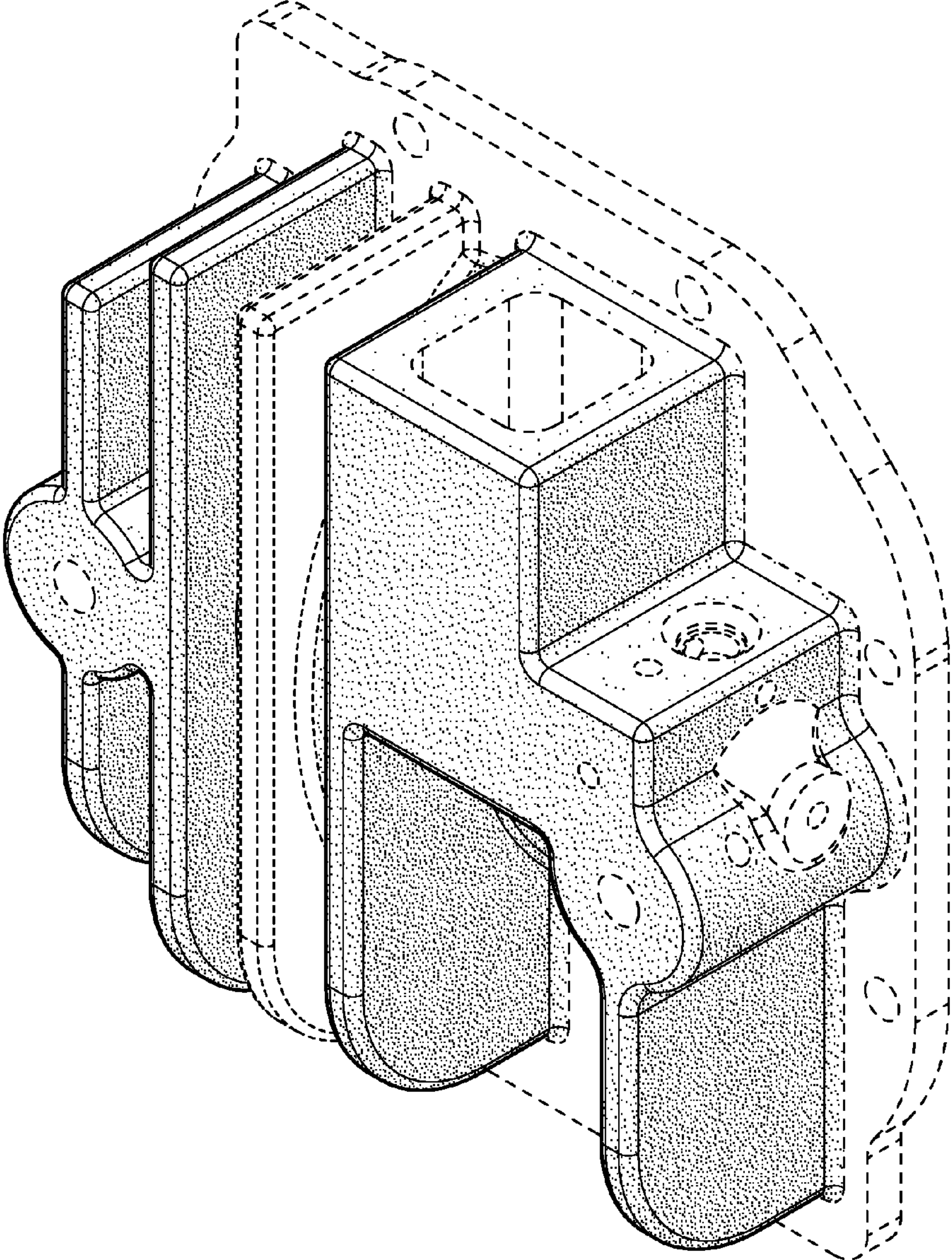


FIG. 1

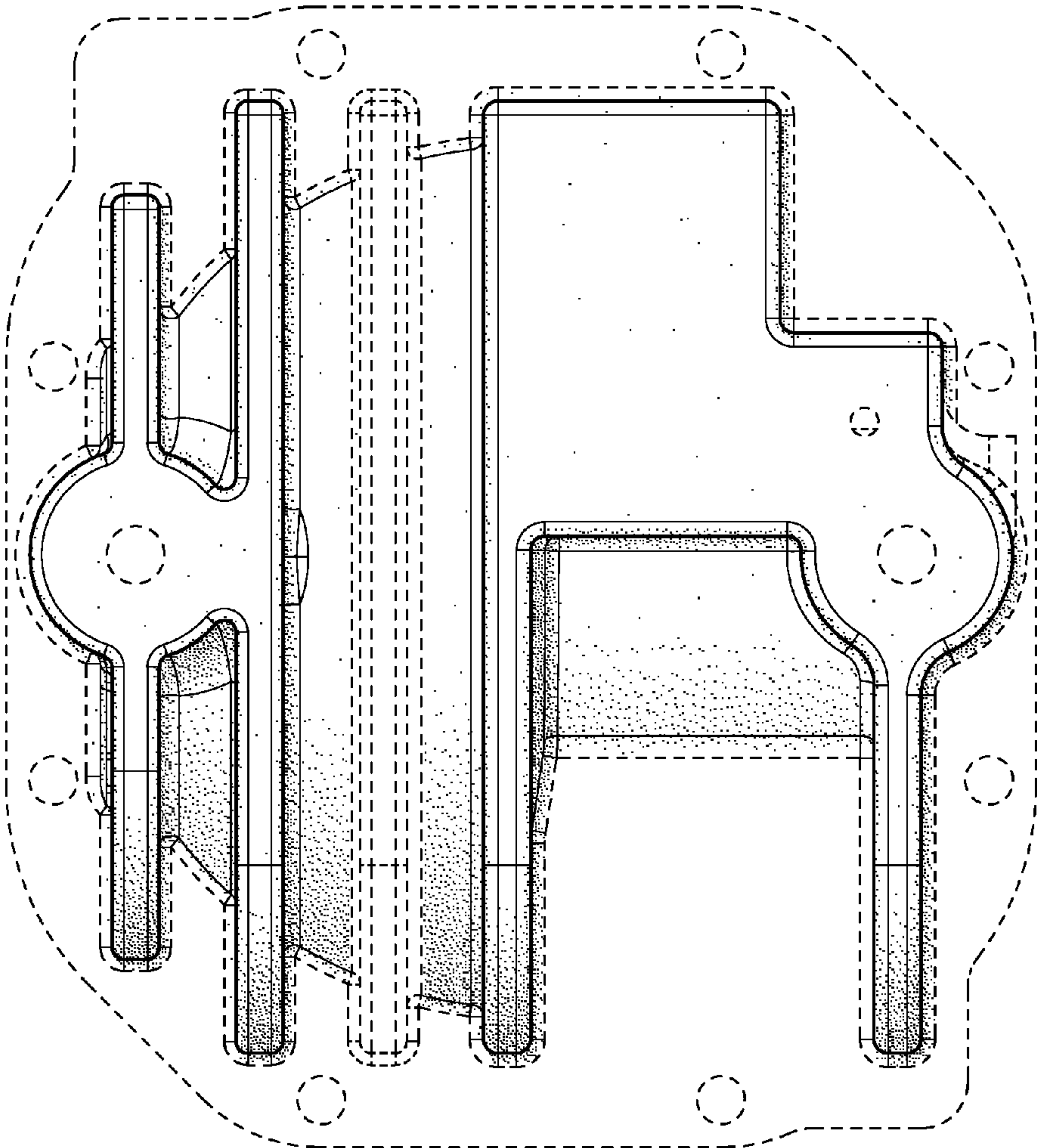


FIG.2

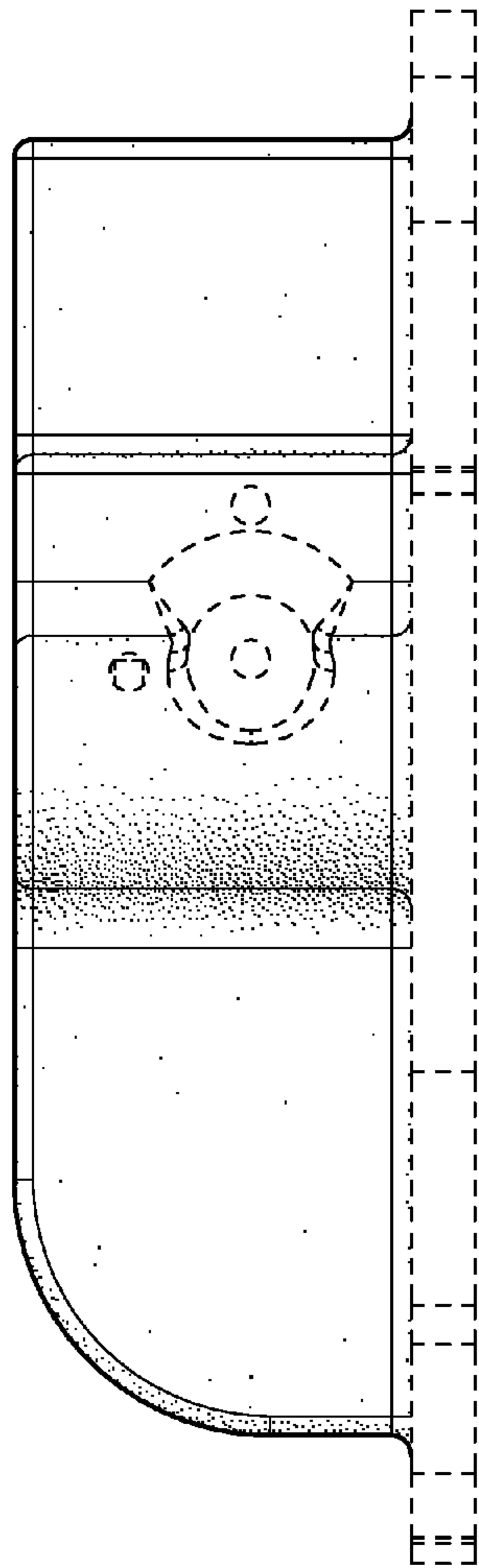


FIG. 3

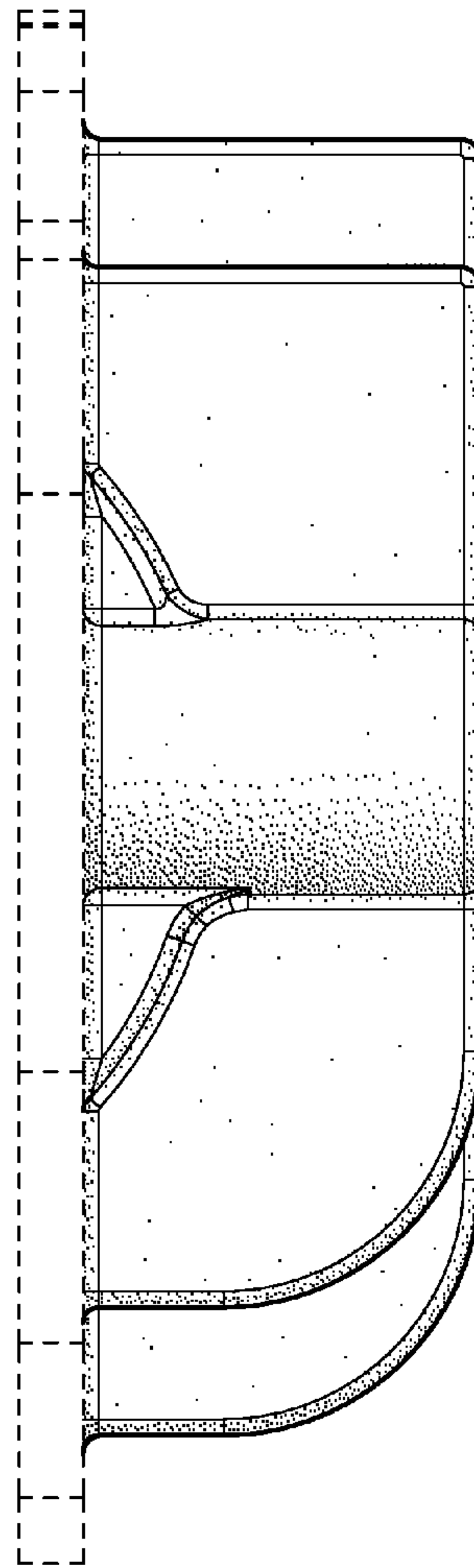


FIG. 4

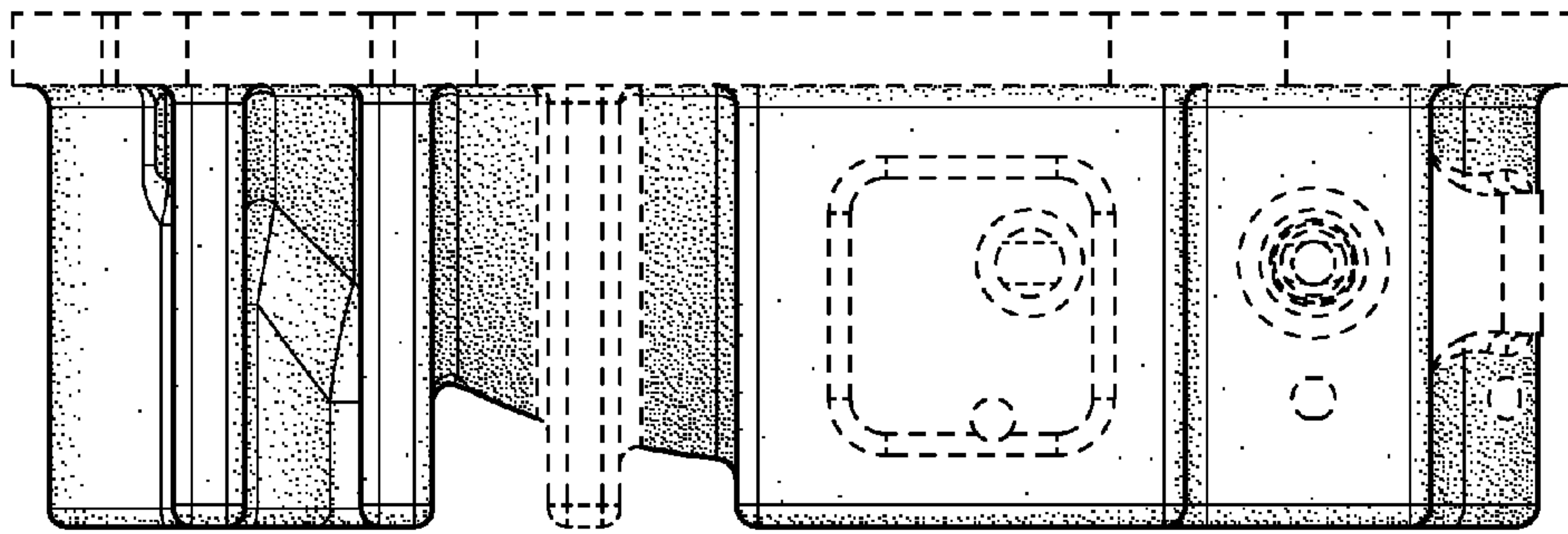


FIG. 5

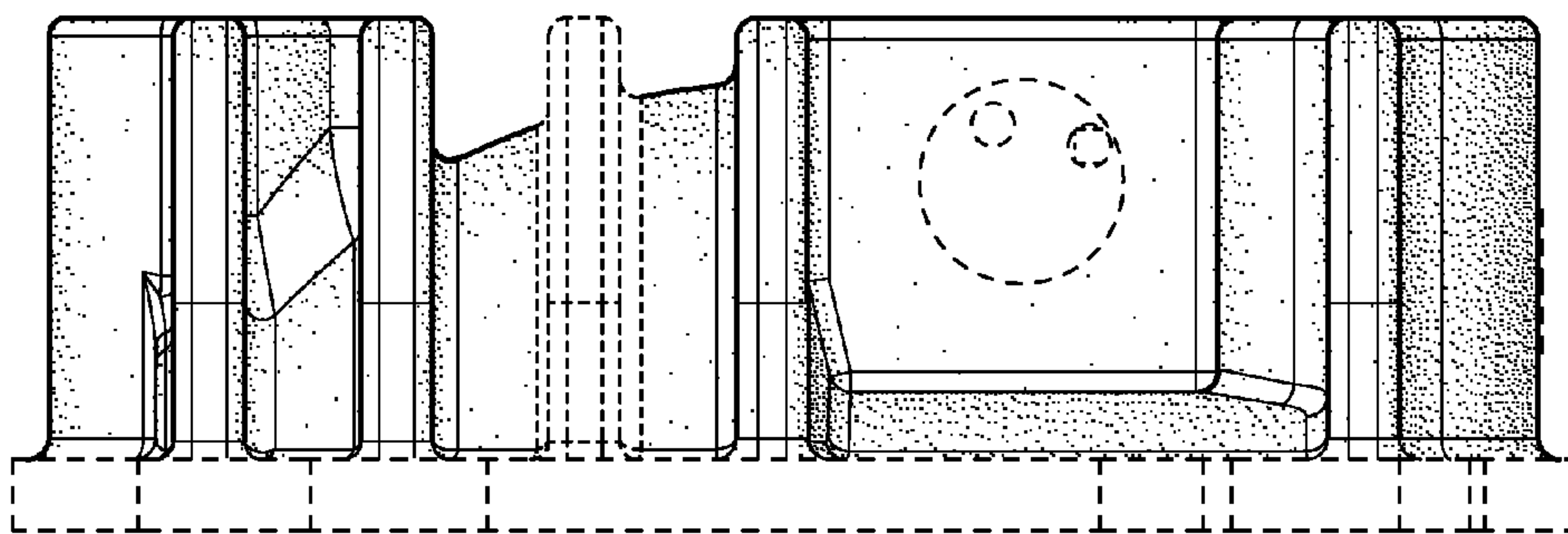


FIG. 6