



US00D741898S

(12) **United States Design Patent**
Soegiono et al.

(10) **Patent No.:** **US D741,898 S**
(45) **Date of Patent:** **** Oct. 27, 2015**

(54) **DISPLAY SCREEN WITH ANIMATED GRAPHICAL USER INTERFACE**

(71) Applicant: **Microsoft Corporation**, Redmond, WA (US)

(72) Inventors: **Orry Wijanarko Soegiono**, Seattle, WA (US); **Bill Liu**, Redmond, WA (US); **Mary-Lynne Williams**, Seattle, WA (US)

(73) Assignee: **Microsoft Corporation**, Redmond, WA (US)

(**) Term: **14 Years**

(21) Appl. No.: **29/456,200**

(22) Filed: **May 29, 2013**

(51) **LOC (10) Cl.** **14-04**

(52) **U.S. Cl.**
USPC **D14/488**

(58) **Field of Classification Search**
USPC D14/485-495
CPC G06T 13/00; G06T 13/80
See application file for complete search history.

(56) **References Cited**

U.S. PATENT DOCUMENTS

5,392,388	A *	2/1995	Gibson	715/837
6,448,987	B1 *	9/2002	Easty et al.	715/834
7,046,248	B1 *	5/2006	Perttunen	345/440
D554,140	S	10/2007	Armendariz	
D630,644	S *	1/2011	Wilson	D14/486

(Continued)

FOREIGN PATENT DOCUMENTS

DE 402012002060-0002 5/2014

OTHER PUBLICATIONS

Office Action in corresponding RU Application No. 2013504568, dated Jun. 23, 2014.

Primary Examiner — Ian Simmons

Assistant Examiner — Richelle G Shelton

(74) *Attorney, Agent, or Firm* — Banner & Witcoff, Ltd.

(57) **CLAIM**

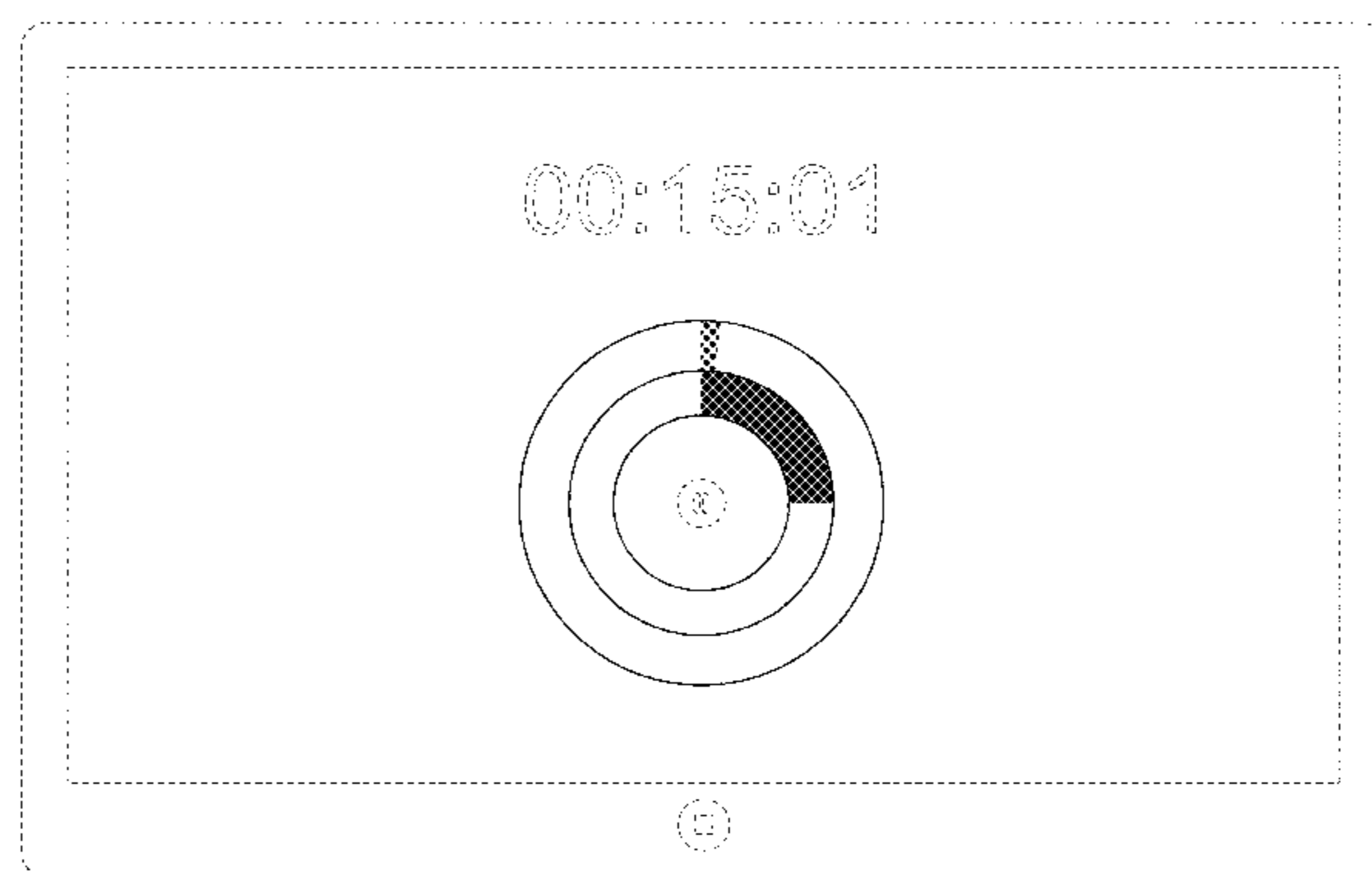
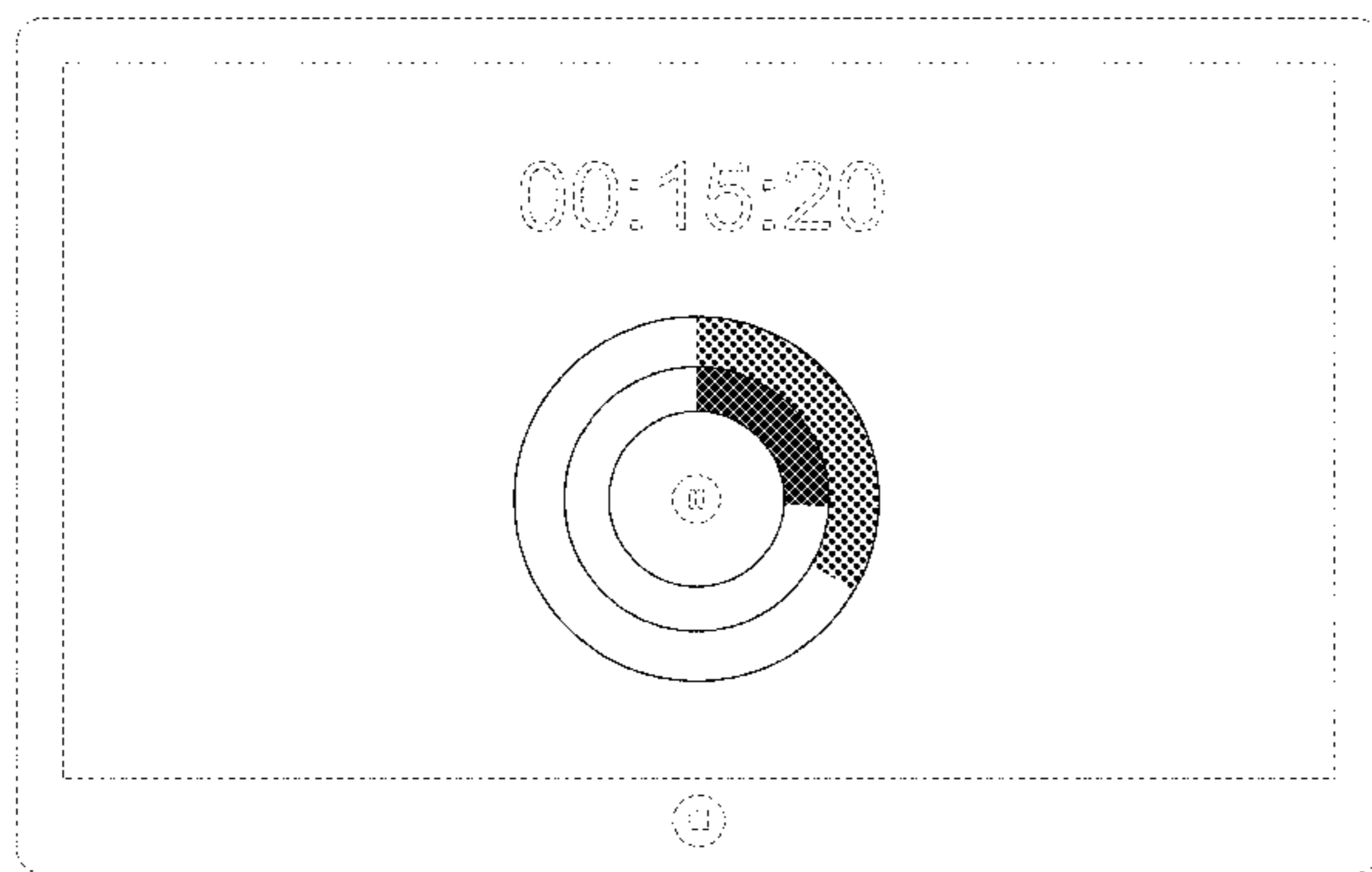
The ornamental design for a display screen with animated graphical user interface, as shown and described.

DESCRIPTION

FIG. 1 is the first image in a sequence for a display screen with animated graphical user interface showing the new design; FIG. 2 is the second image thereof; FIG. 3 is the third image thereof; FIG. 4 is the fourth image thereof; FIG. 5 is the fifth image thereof; FIG. 6 is the sixth image thereof; FIG. 7 is the seventh image thereof; FIG. 8 is the eighth image thereof; FIG. 9 is the ninth image thereof; FIG. 10 is the tenth image thereof; FIG. 11 is the eleventh image thereof; FIG. 12 is the twelfth image thereof; FIG. 13 is the thirteenth image thereof; FIG. 14 is the fourteenth image thereof; FIG. 15 is the fifteenth image thereof; FIG. 16 is the sixteenth image thereof; FIG. 17 is the seventeenth image thereof; FIG. 18 is the eighteenth image thereof; FIG. 19 is the nineteenth image thereof; and, FIG. 20 is the twentieth image thereof.

The appearance of the animated graphical user interface sequentially transitions between the images shown in FIGS. 1-20. The process or period in which one image transitions to another forms no part of the claimed design. The broken-line showing of the numerals, the pause icon, the remainder of the graphical user interface, and the display screen is for environmental purposes only and forms no part of the claimed design. The grayscale in the figure indicates a contrast of appearance.

1 Claim, 20 Drawing Sheets



(56)

References Cited

U.S. PATENT DOCUMENTS

7,992,102	B1 *	8/2011	De Angelo	715/834	2004/0104896	A1 *	6/2004	Suraqui	345/168
D644,661	S *	9/2011	Gardner et al.	D14/495	2006/0274079	A1 *	12/2006	Oyaizu et al.	345/582
D650,793	S *	12/2011	Impas et al.	D14/489	2008/0036776	A1 *	2/2008	Niles et al.	345/474
8,151,209	B2 *	4/2012	Law et al.	715/773	2010/0333030	A1 *	12/2010	Johns	715/834
8,230,339	B2 *	7/2012	Watanabe et al.	715/713	2012/0056827	A1 *	3/2012	Kim et al.	345/173
D669,497	S *	10/2012	Lee et al.	D14/489	2012/0096383	A1 *	4/2012	Sakamoto et al.	715/772
D669,499	S *	10/2012	Gardner et al.	D14/495	2013/0019182	A1 *	1/2013	Gil et al.	715/738
					2013/0019208	A1 *	1/2013	Kotler et al.	715/835
					2013/0080975	A1 *	3/2013	Geithner	715/828

* cited by examiner

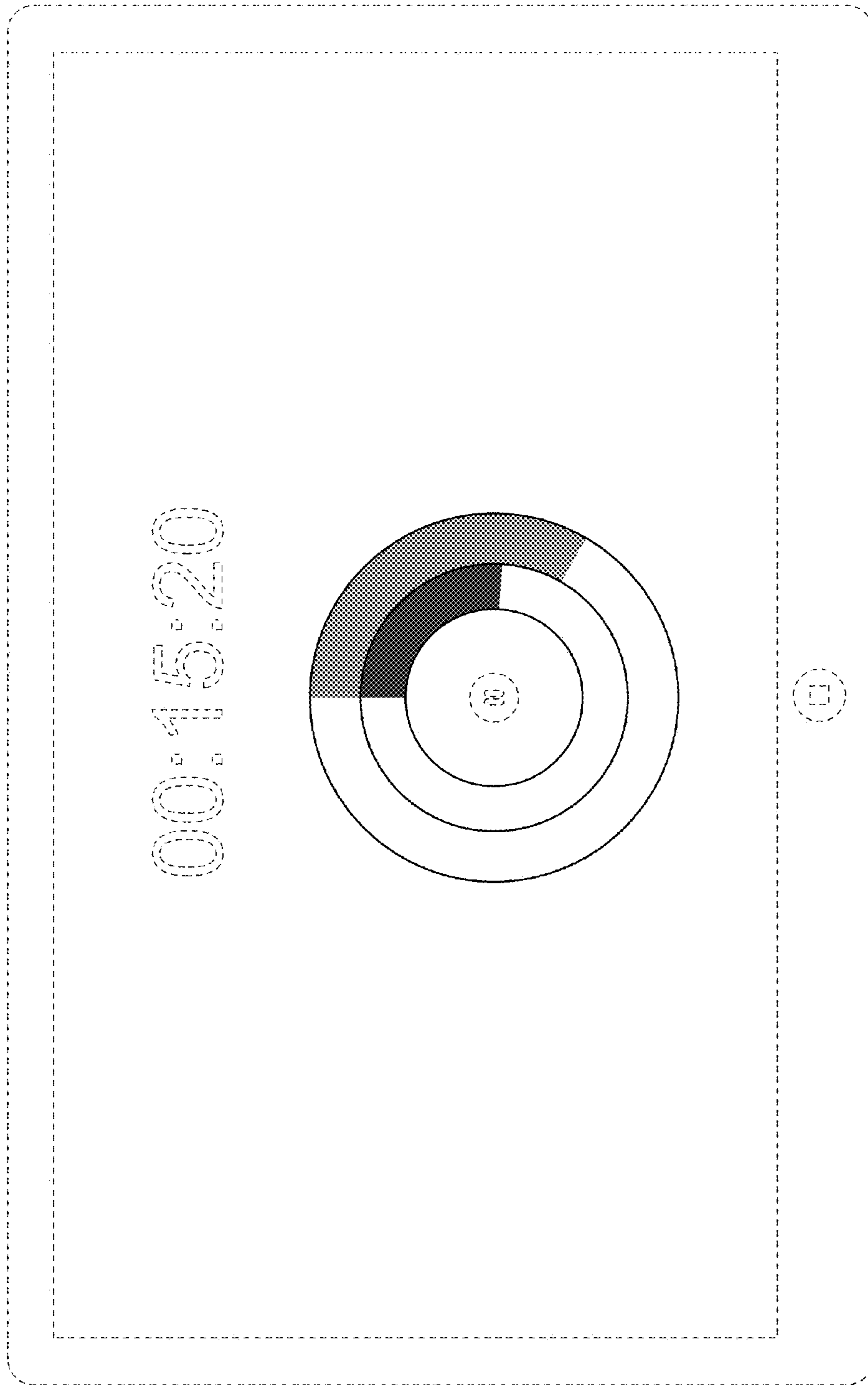


FIG. 1

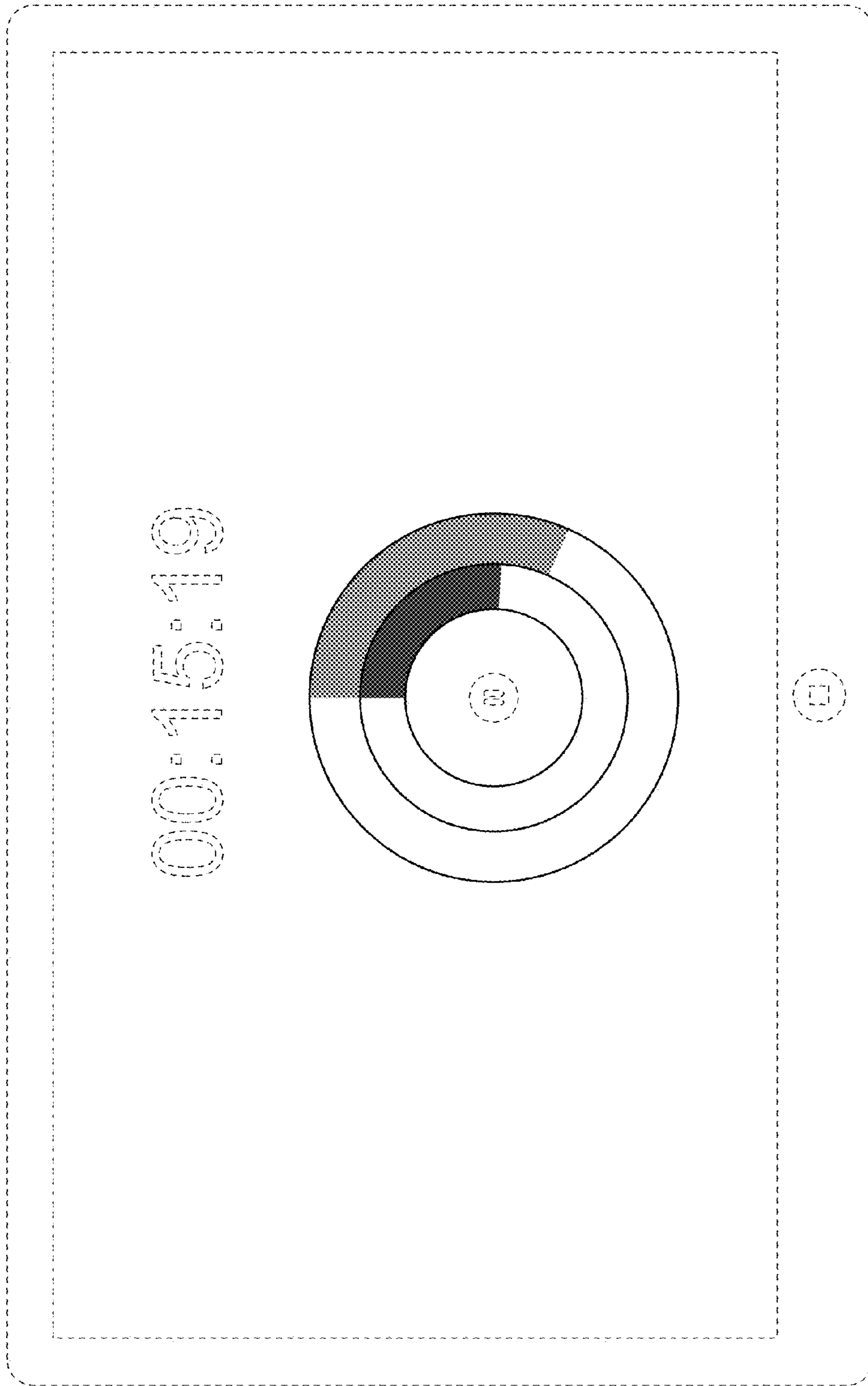


FIG. 2

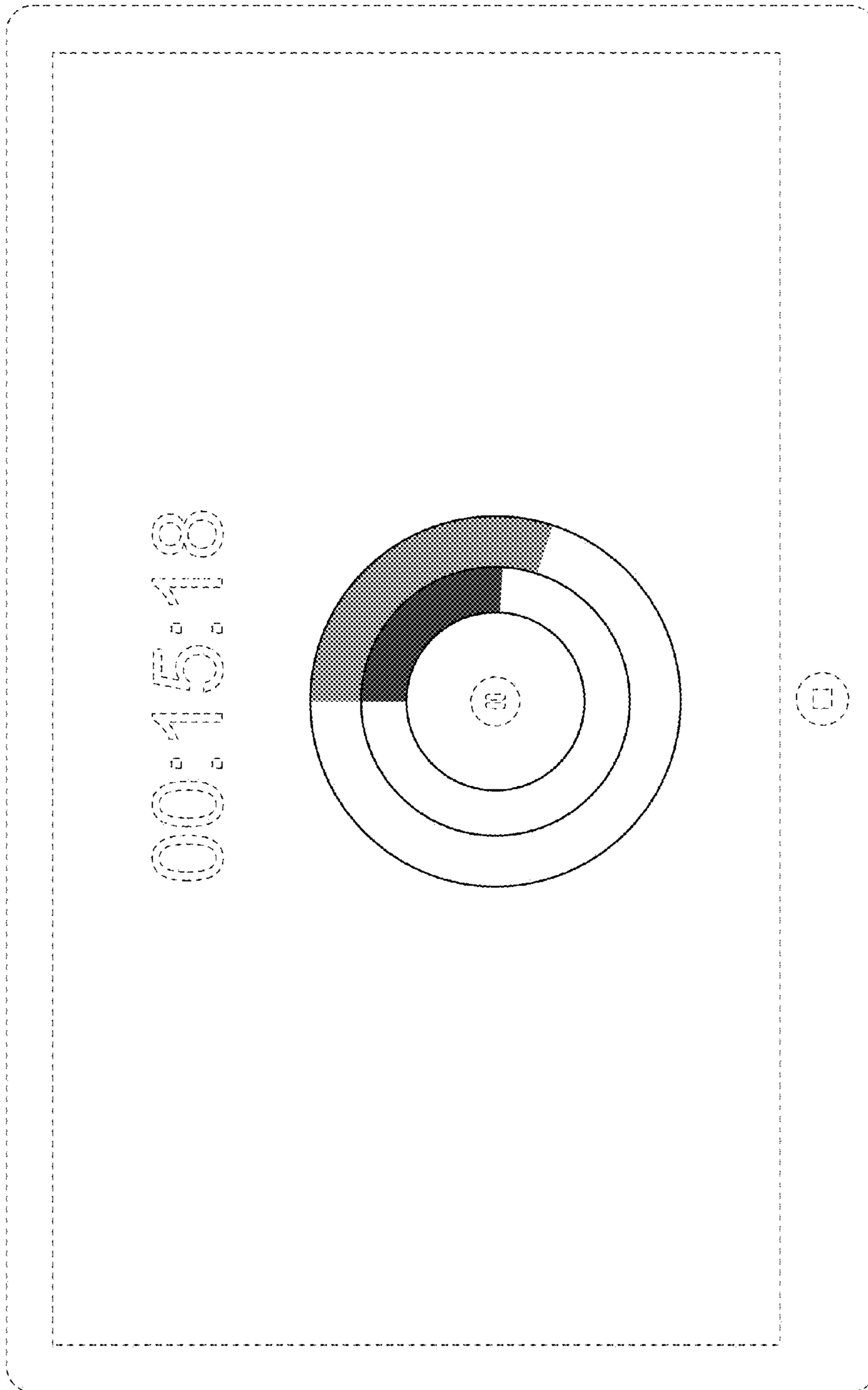


FIG. 3

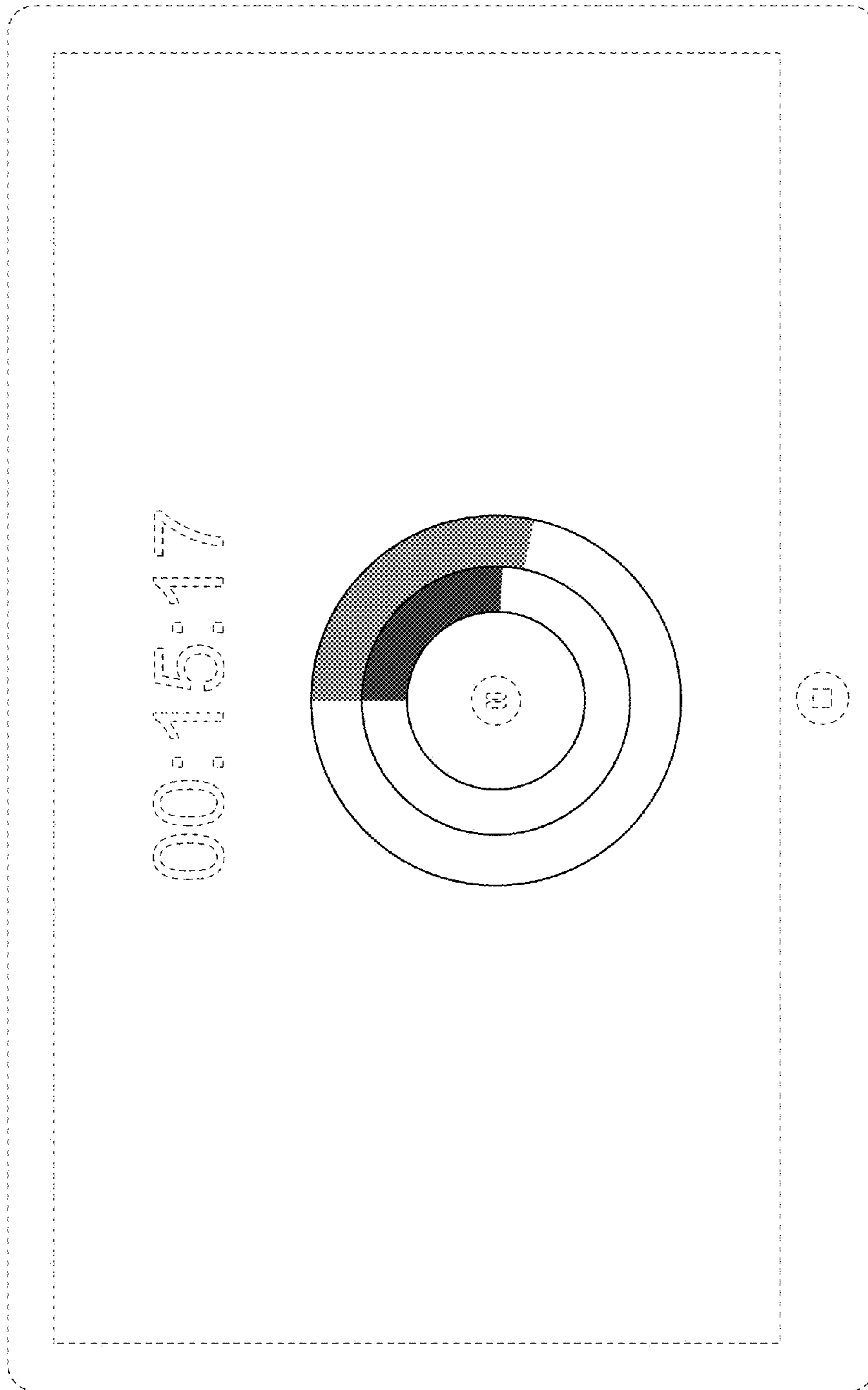


FIG. 4

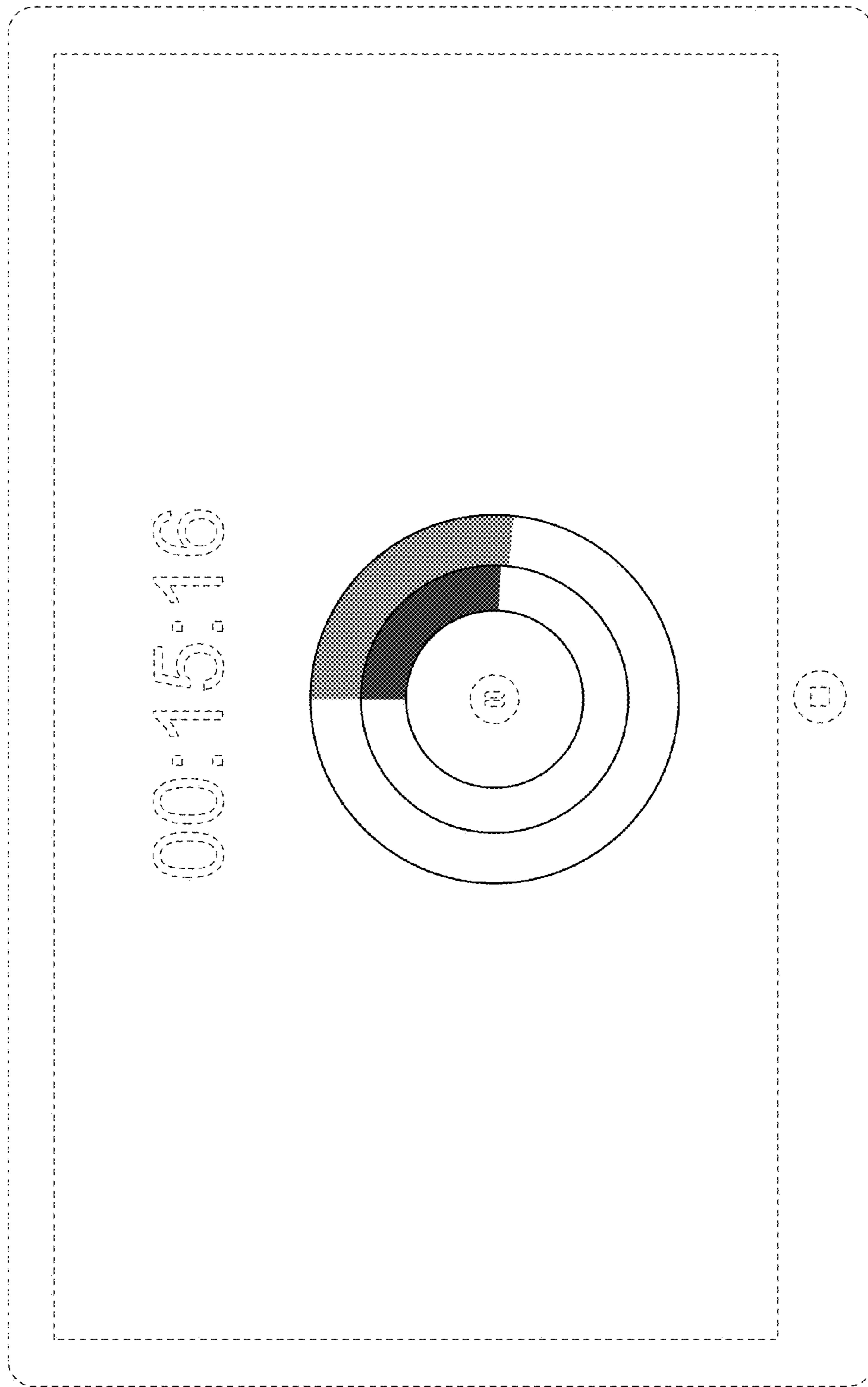


FIG. 5

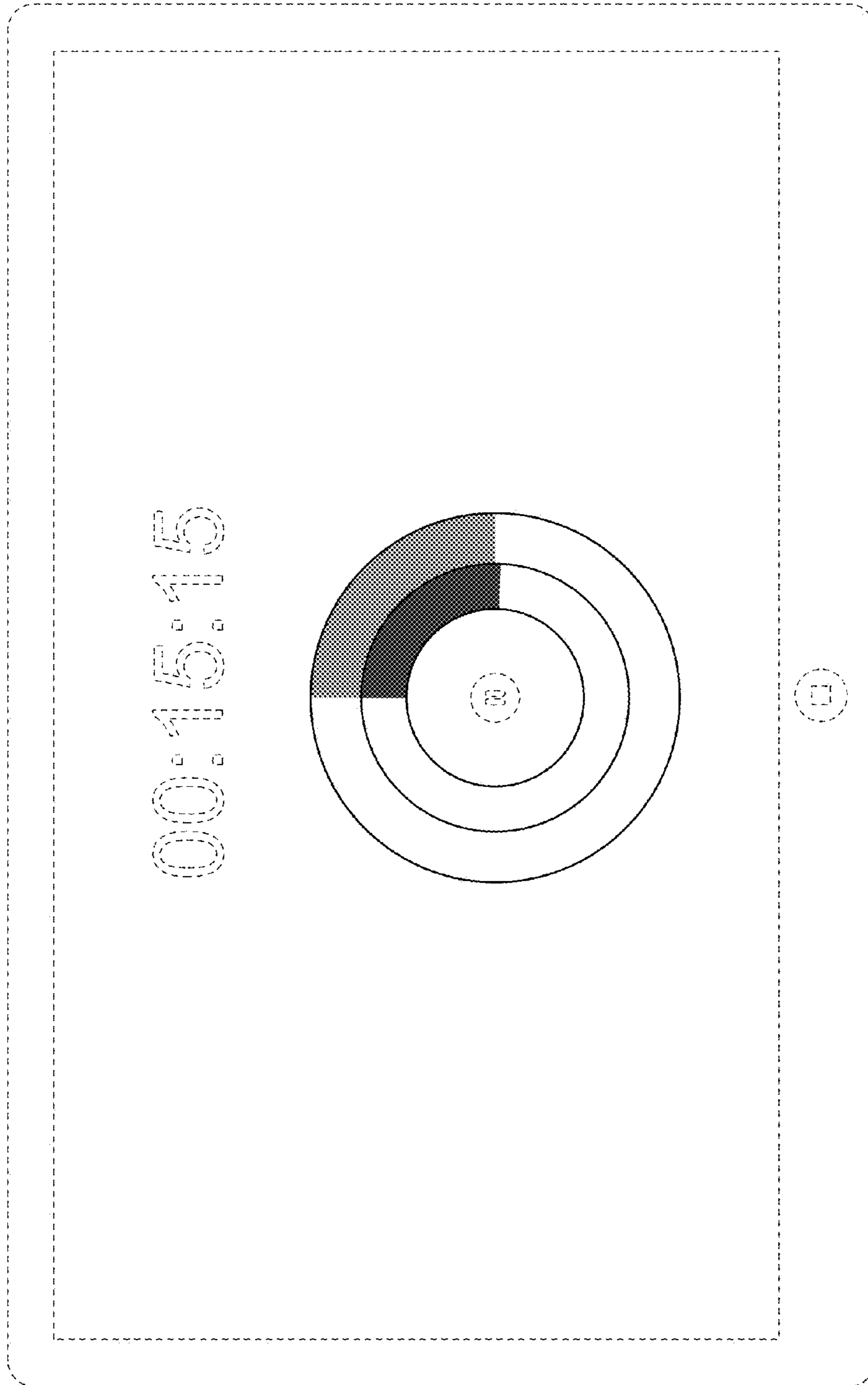


FIG. 6

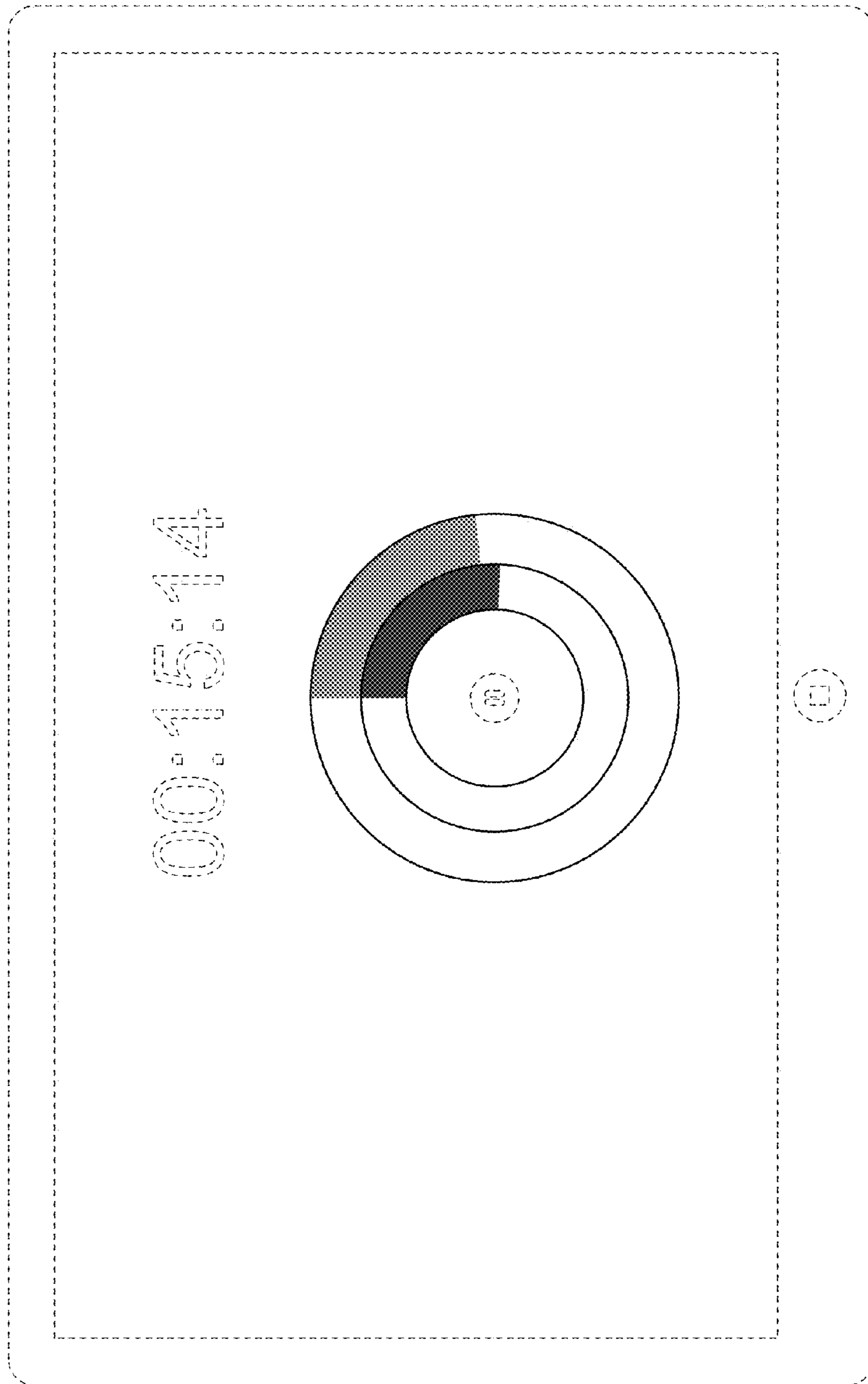


FIG. 7

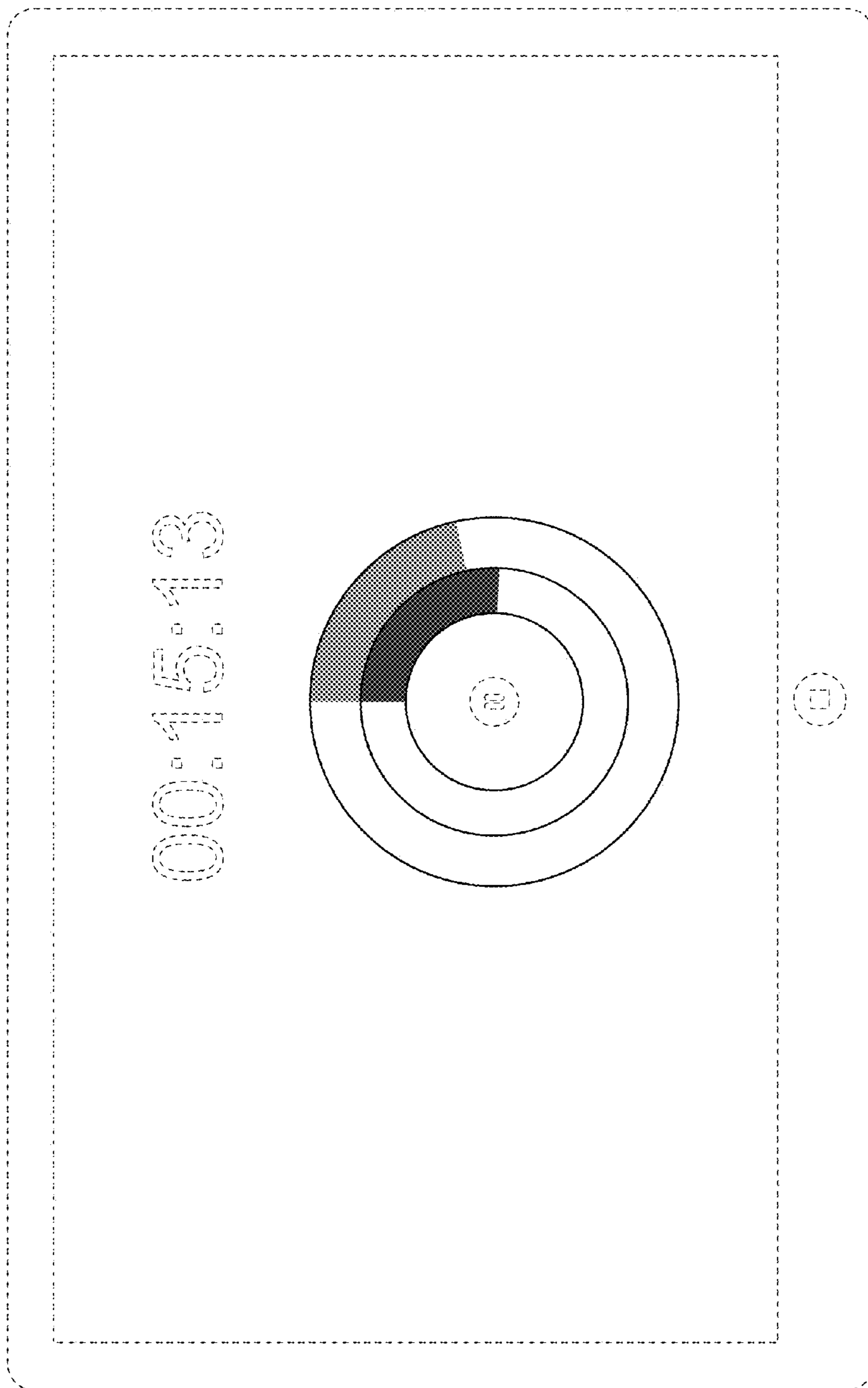


FIG. 8

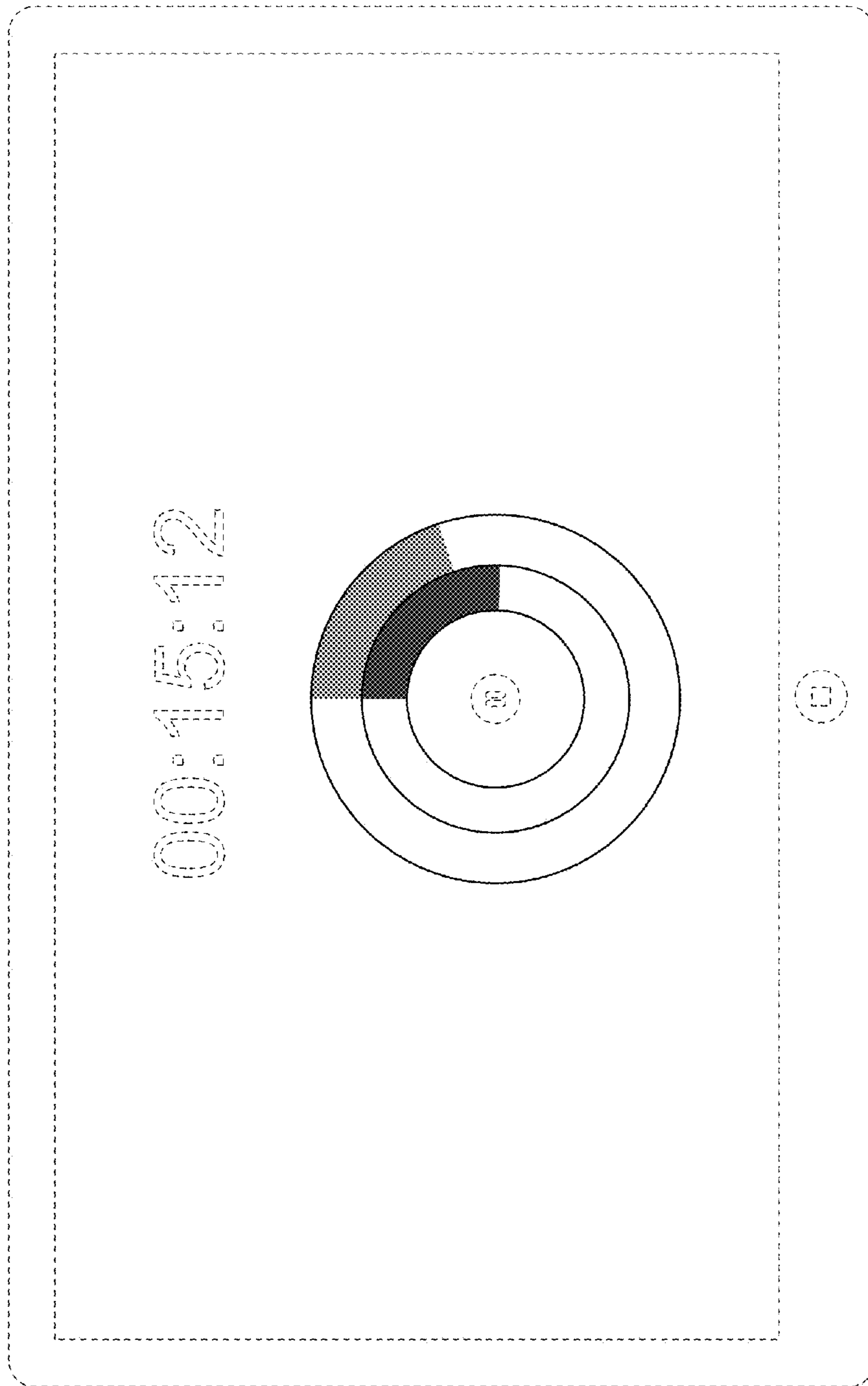


FIG. 9

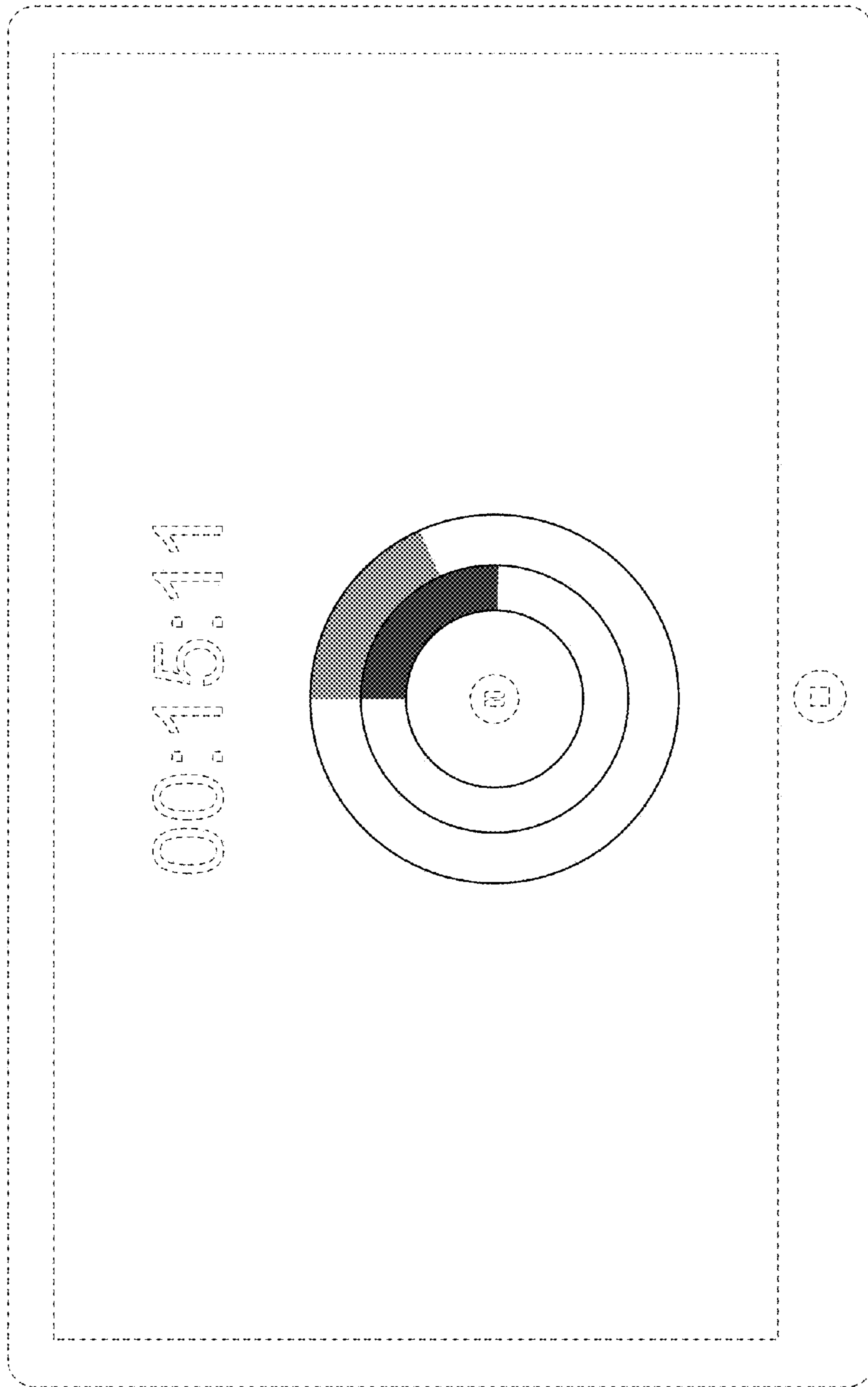


FIG. 10

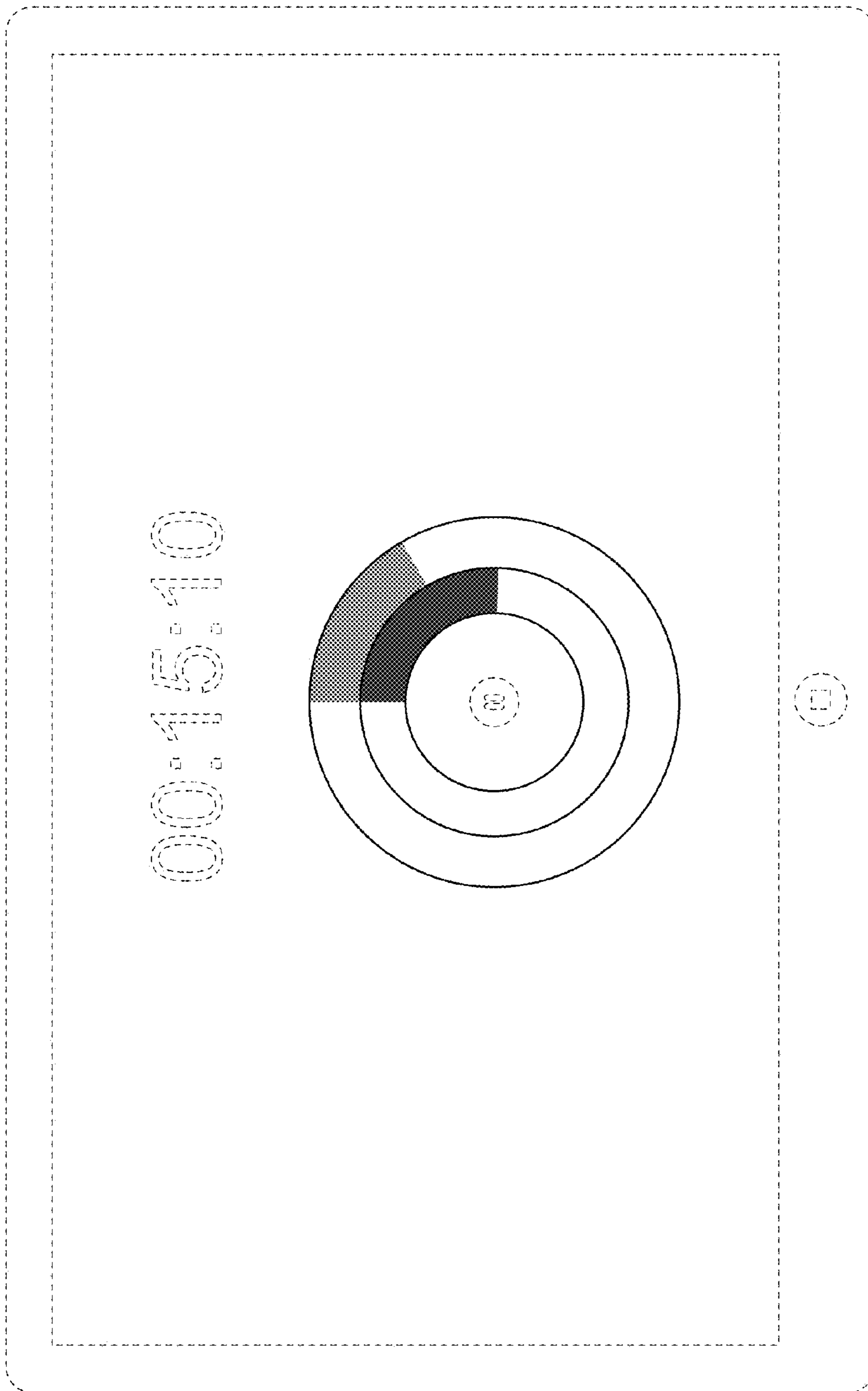
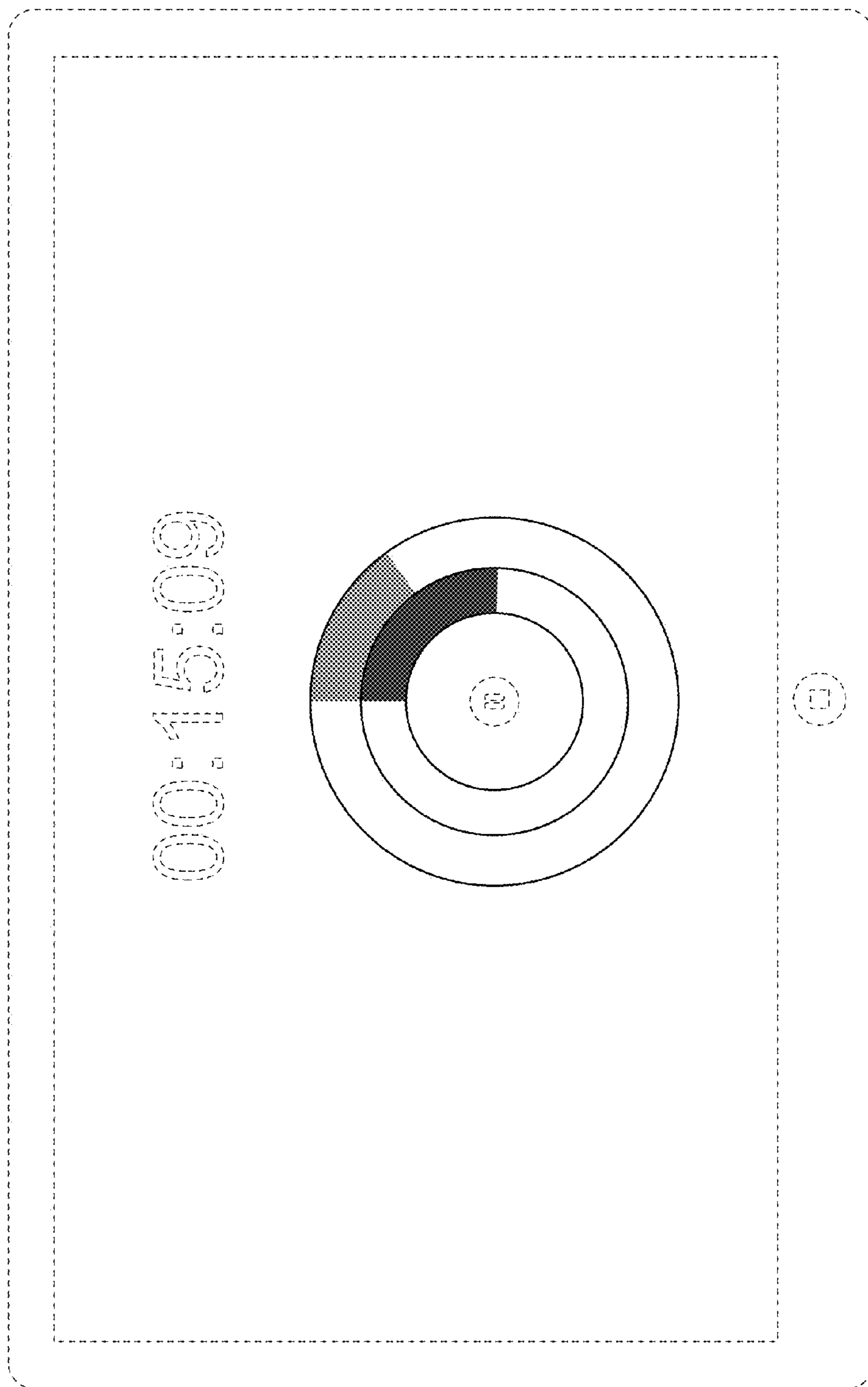


FIG. 11



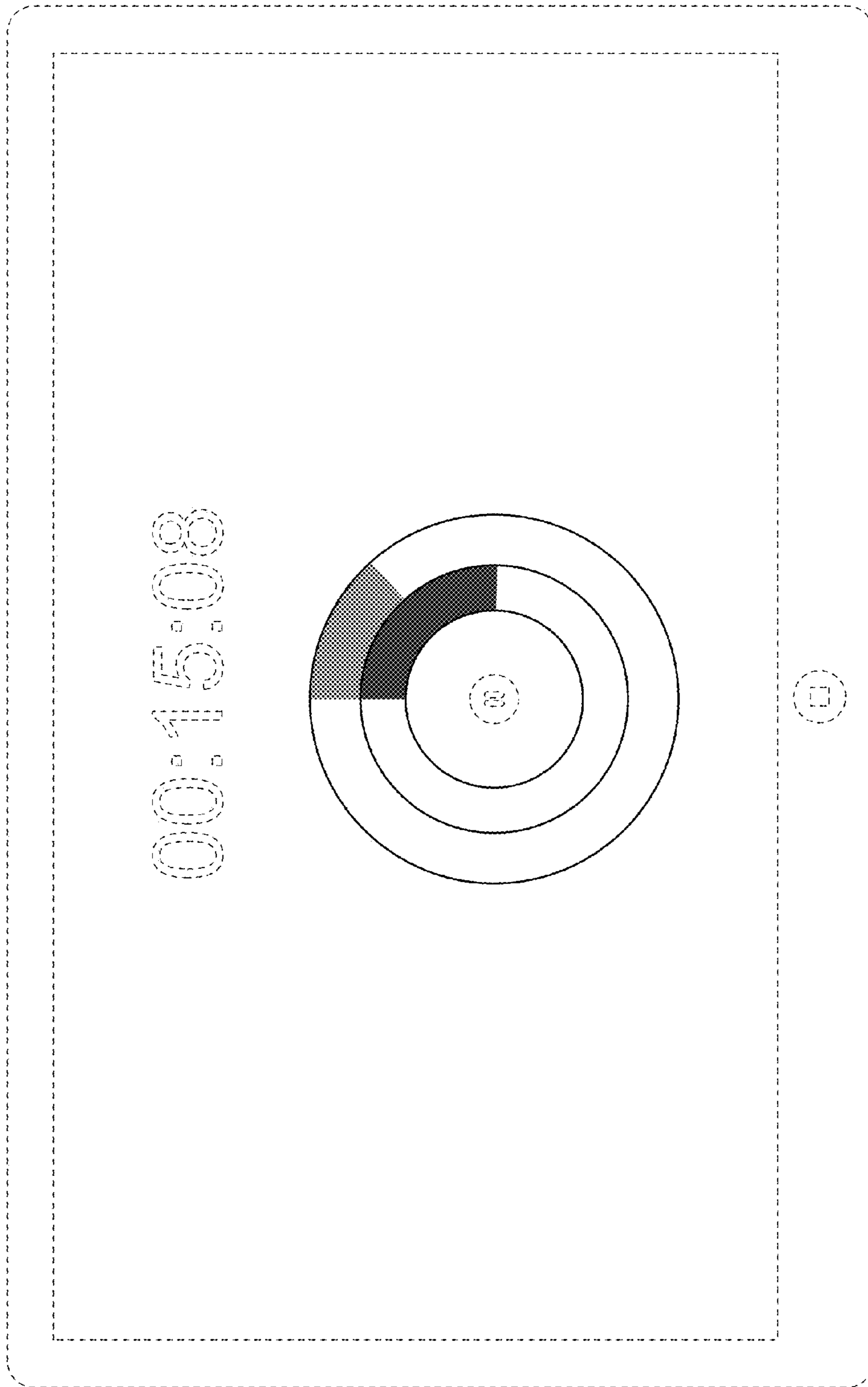


FIG. 13

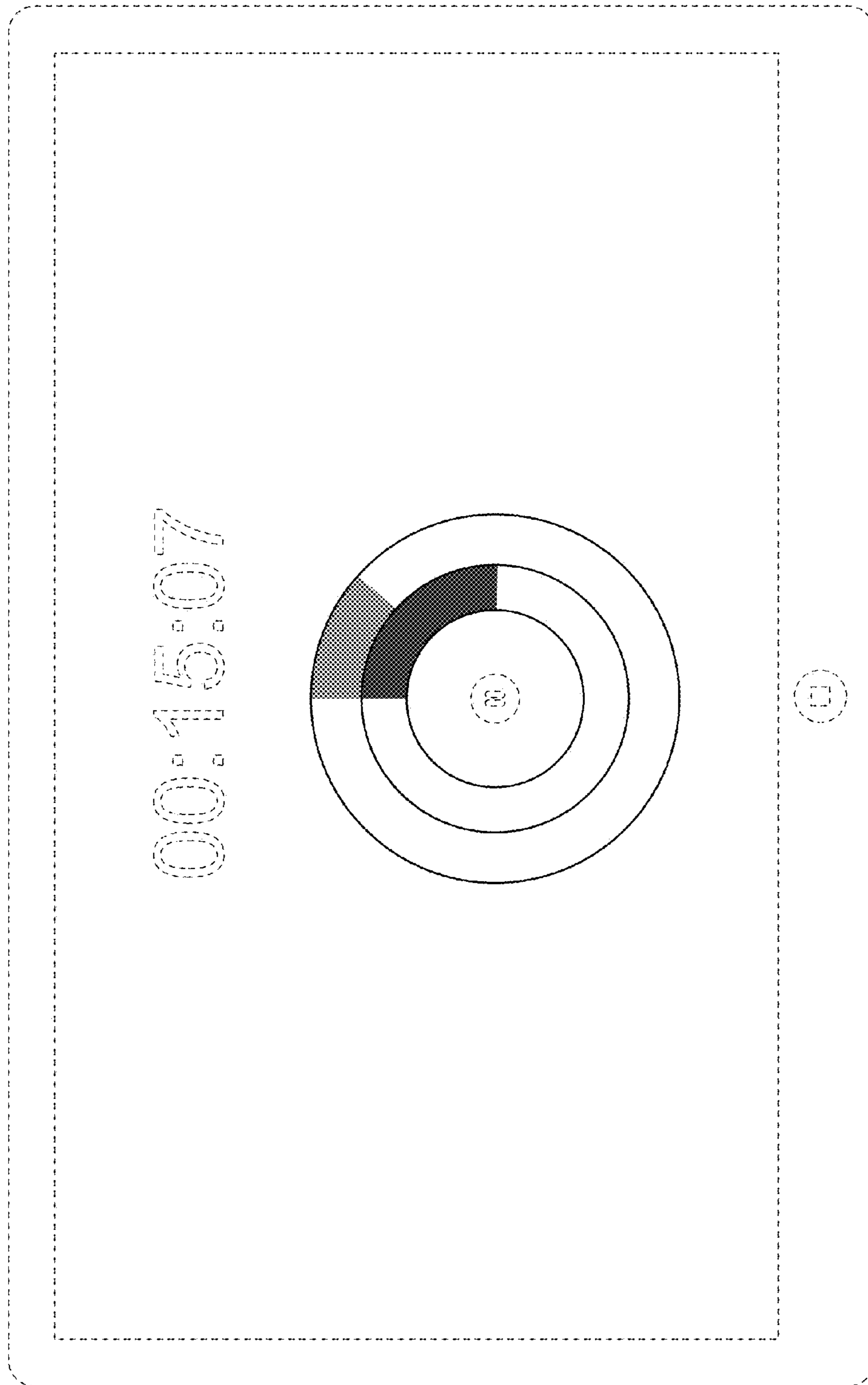


FIG. 14

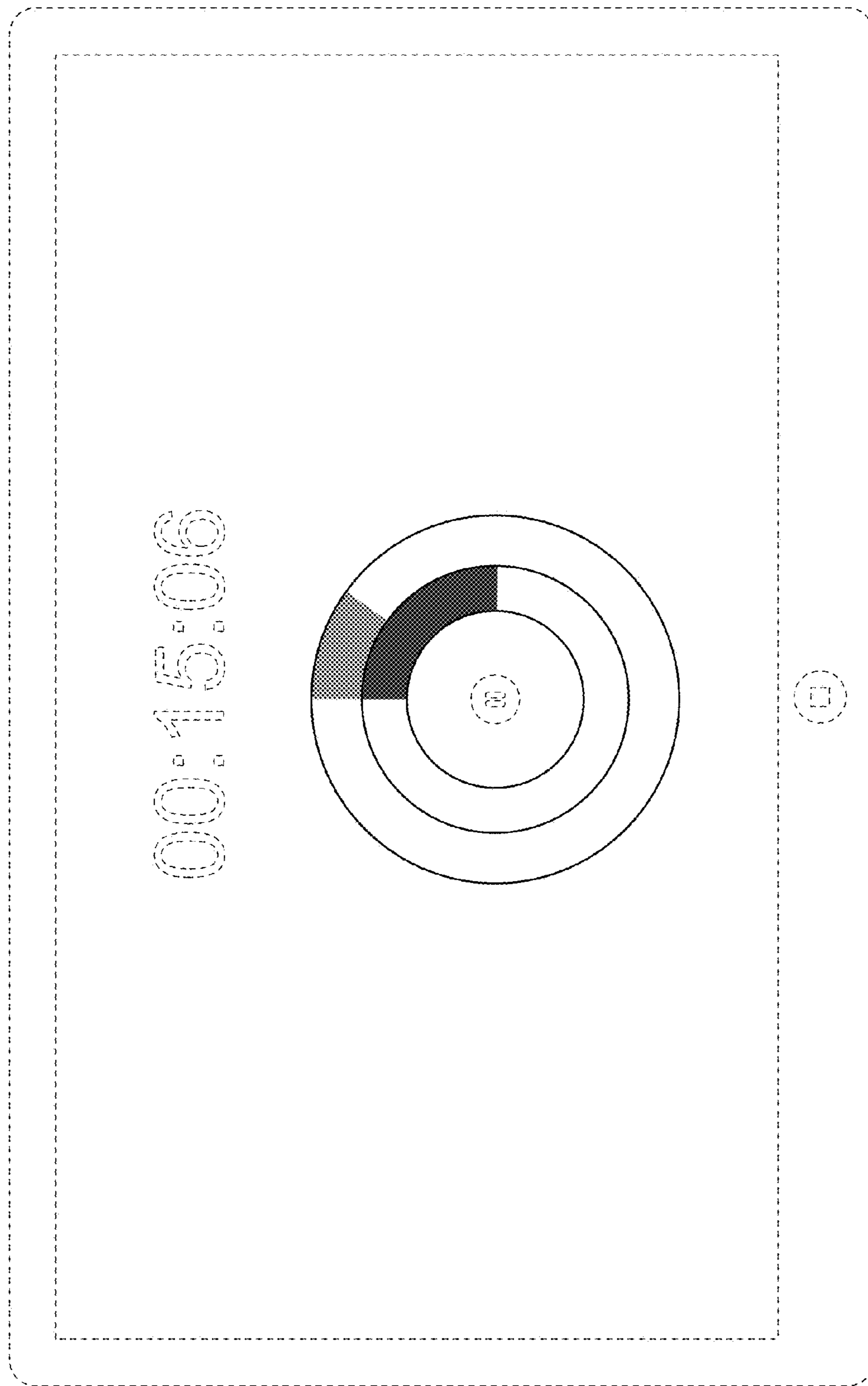


FIG. 15

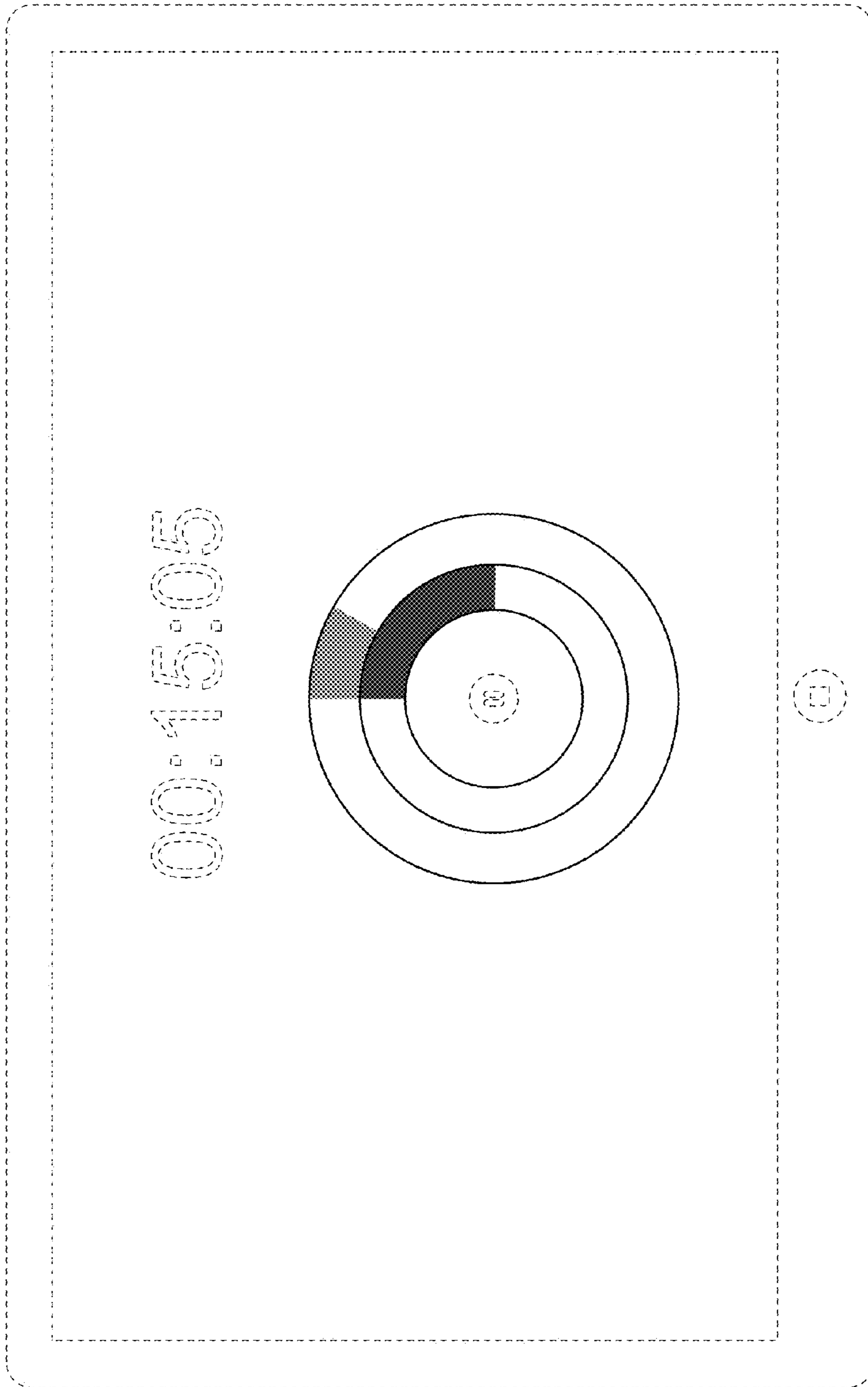


FIG. 16

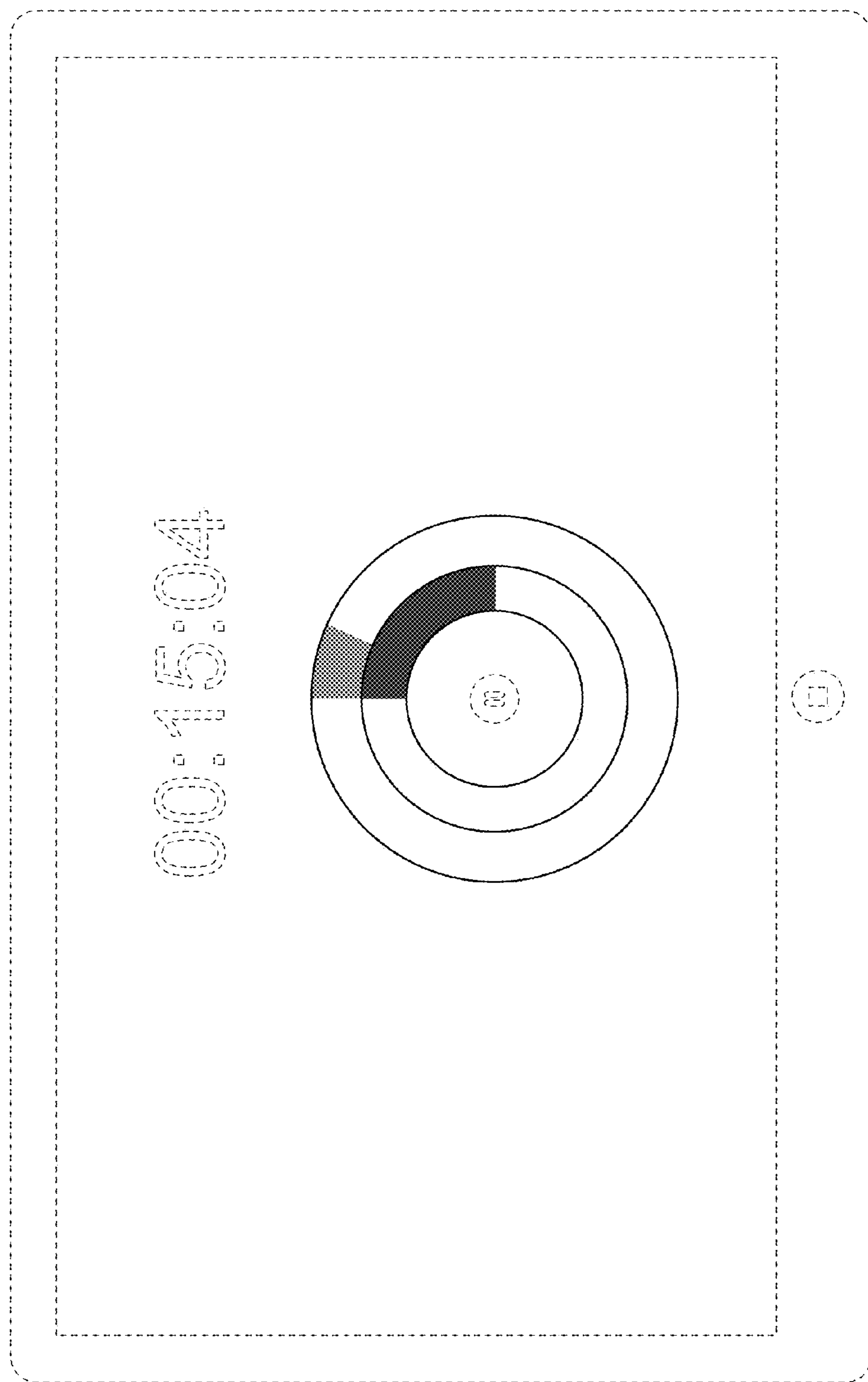


FIG. 17

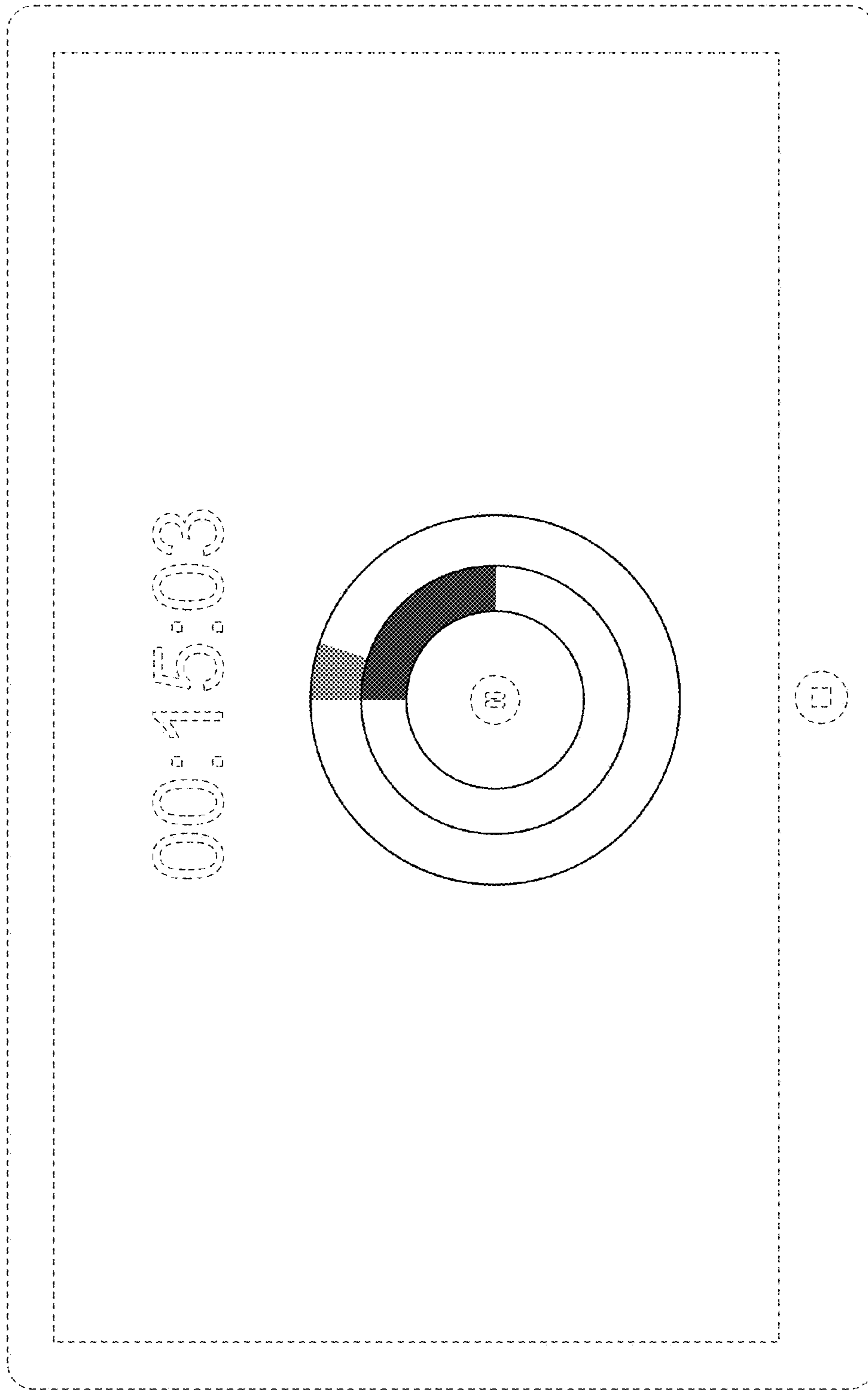


FIG. 18

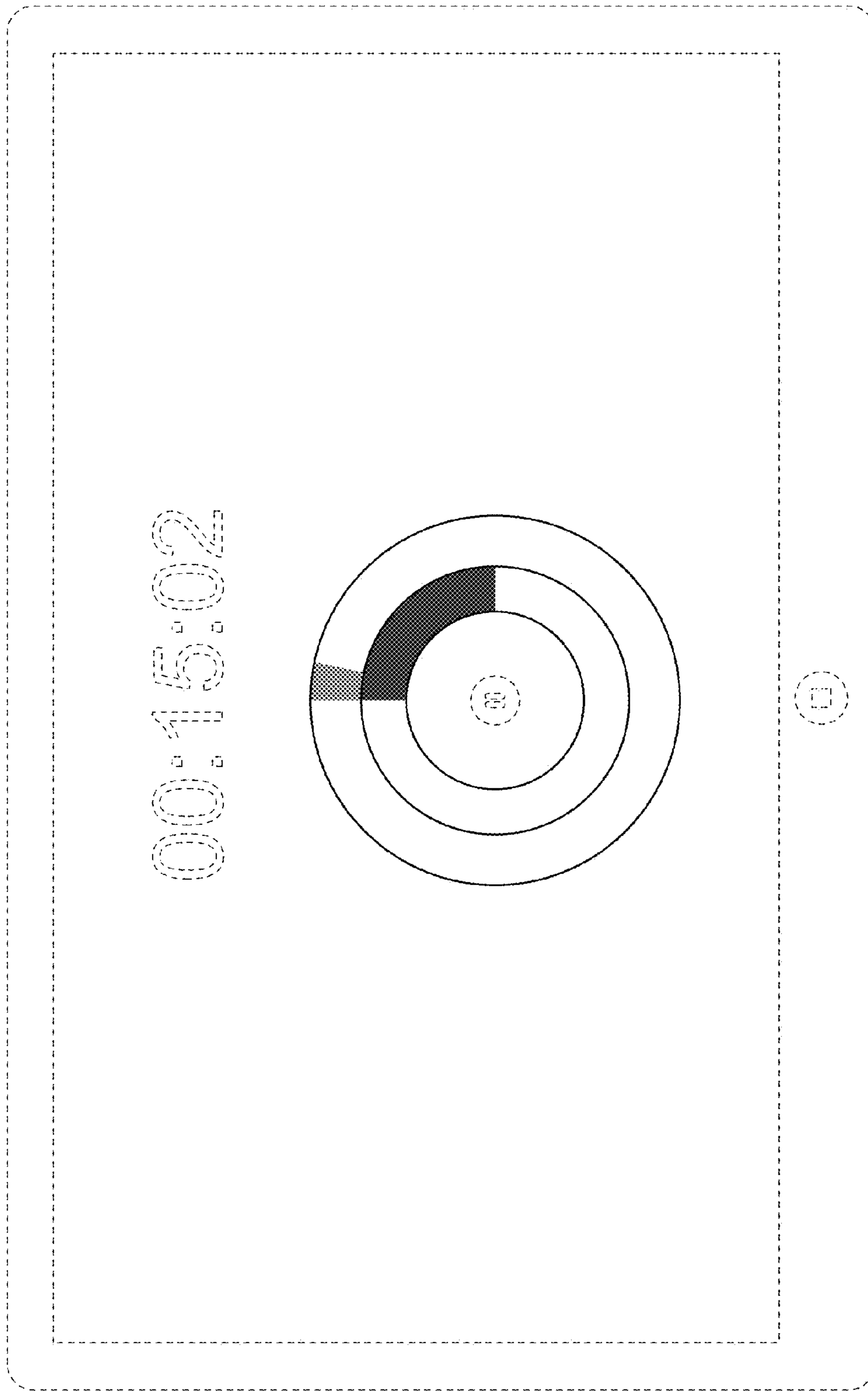


FIG. 19

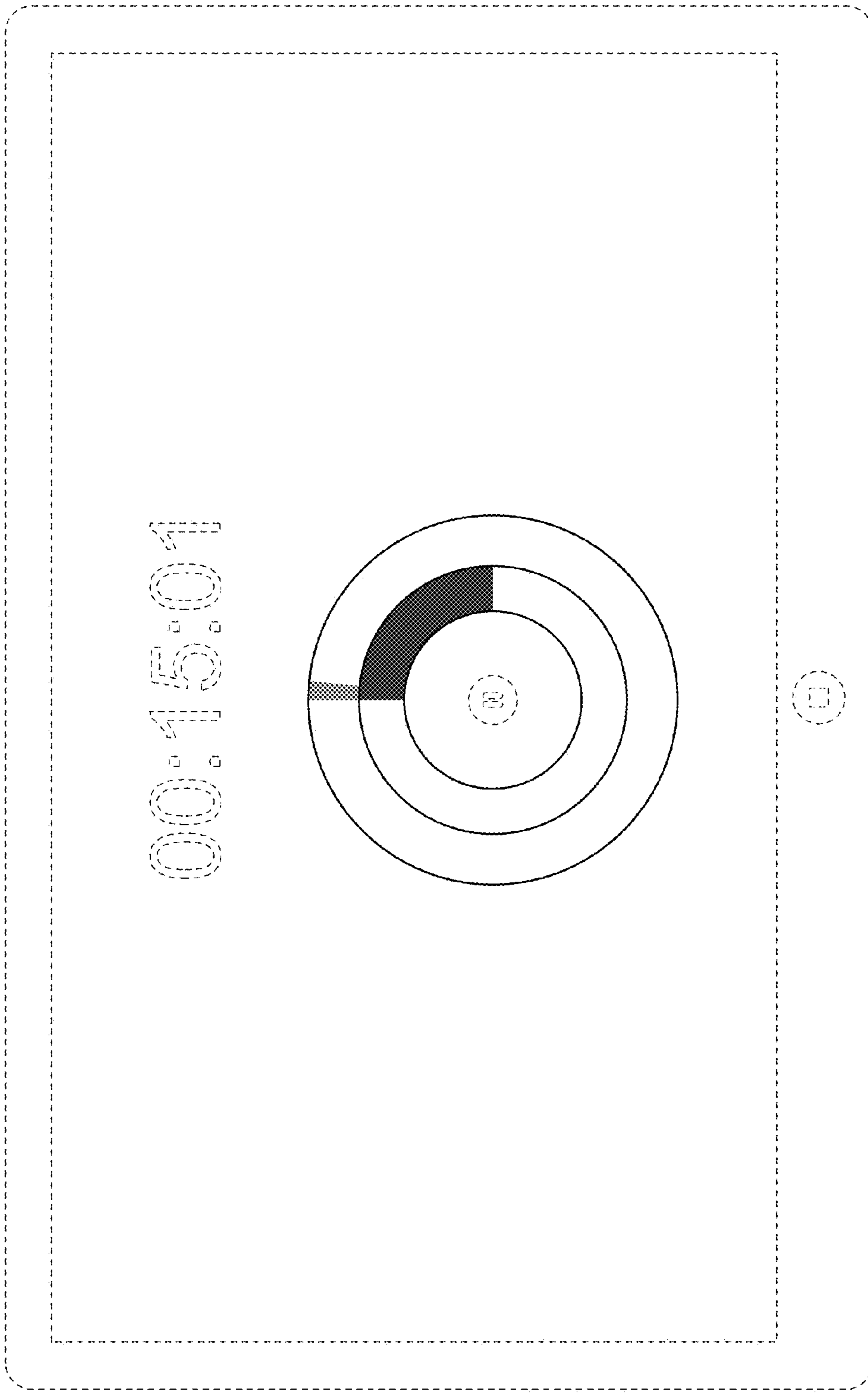


FIG. 20