



US00D741888S

(12) **United States Design Patent**  
**Sic et al.**

(10) **Patent No.:** **US D741,888 S**

(45) **Date of Patent:** **\*\* Oct. 27, 2015**

(54) **DISPLAY SCREEN OR PORTION THEREOF WITH ANIMATED GRAPHICAL USER INTERFACE**

(71) Applicant: **SAMSUNG ELECTRONICS CO., LTD.**, Suwon-si (KR)

(72) Inventors: **Kim Yu Sic**, Suwon-si (KR); **Bang Hyo-Sang**, Seoul (KR); **Seung Jungah**, Guri-si (KR)

(73) Assignee: **Samsung Electronics Co., Ltd.**, Suwon-Si (KR)

(\*\*) Term: **14 Years**

(21) Appl. No.: **29/460,770**

(22) Filed: **Jul. 15, 2013**

(30) **Foreign Application Priority Data**

Jan. 15, 2013 (KR) ..... 30-2013-0002480

(51) **LOC (10) CL.** ..... **14-04**

(52) **U.S. Cl.**  
USPC ..... **D14/486**

(58) **Field of Classification Search**  
USPC ..... D14/485-495  
CPC ..... G06F 3/0482; G06F 3/04842; G06F 3/04817; G06F 3/048

See application file for complete search history.

(56) **References Cited**

U.S. PATENT DOCUMENTS

8,253,747	B2 *	8/2012	Niles et al. ....	345/474
D695,753	S *	12/2013	Edwards et al. ....	D14/485
D705,240	S *	5/2014	Edwards et al. ....	D14/485
D719,583	S *	12/2014	Edwards et al. ....	D14/488
2014/0245139	A1 *	8/2014	Lee et al. ....	715/702
2014/0282193	A1 *	9/2014	Bann et al. ....	715/771
2015/0067559	A1 *	3/2015	Missig et al. ....	715/765

\* cited by examiner

*Primary Examiner* — Karen E Kearney

*Assistant Examiner* — John Reickel

(74) *Attorney, Agent, or Firm* — Ladas & Parry LLP

(57) **CLAIM**

The ornamental design for a display screen or portion thereof with animated graphical user interface, as shown and described.

**DESCRIPTION**

FIG. 1 is the first image in a sequence for a display screen or portion thereof with animated graphical user interface showing our new design;

FIG. 2 is the second image thereof;

FIG. 3 is the third image thereof;

FIG. 4 is the fourth image thereof; and,

FIG. 5 is the fifth image thereof.

The appearance of the animated user interface sequentially transitions between the images shown in FIGS. 1-5. The process or period in which one image transitions to another forms no part of the claimed design.

The broken lines showing of the display screen or portion thereof and portions of the graphical user interface are included for the purpose of illustrating portions of the article and form no part of the claimed design.

**1 Claim, 5 Drawing Sheets**

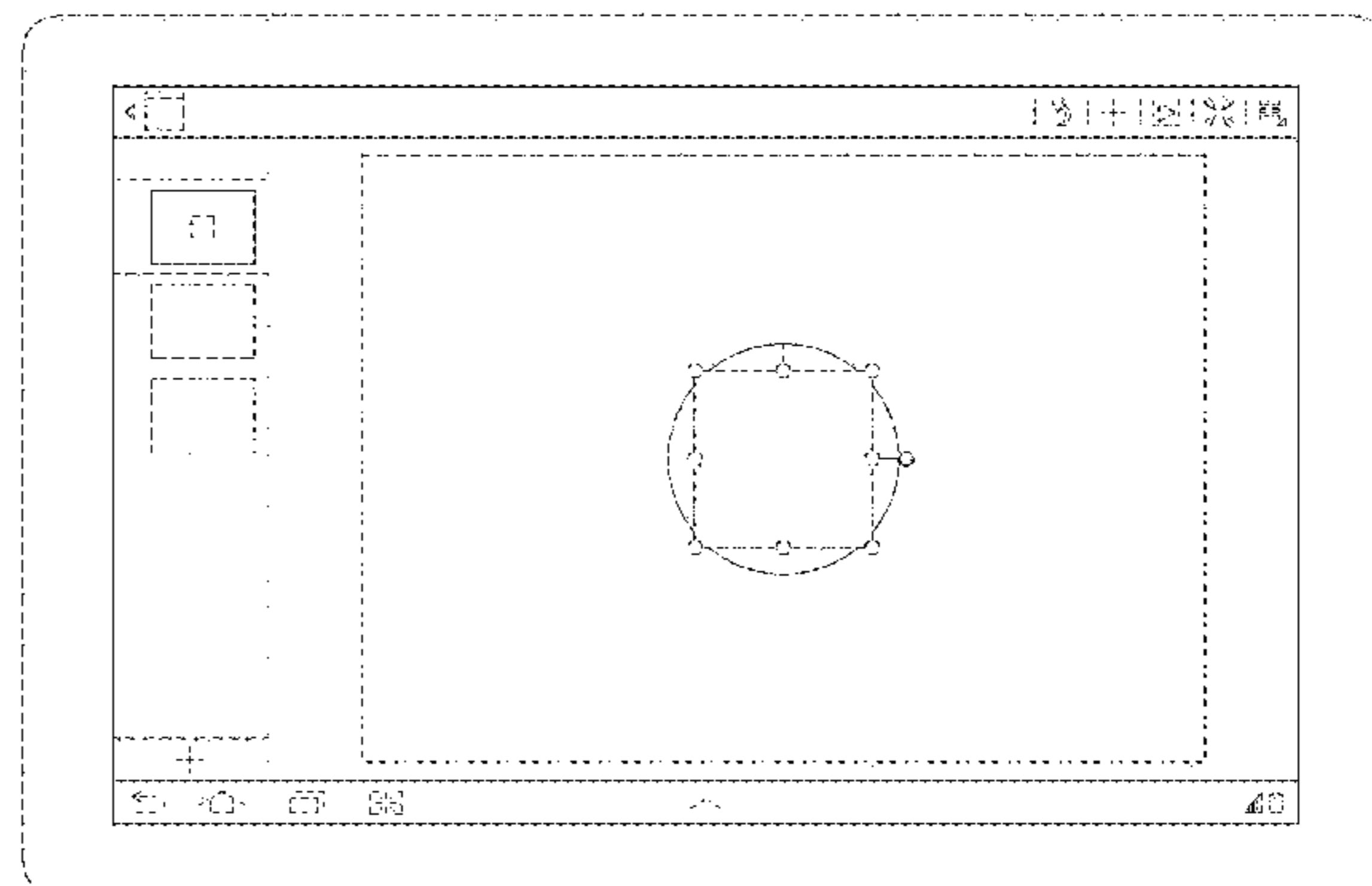
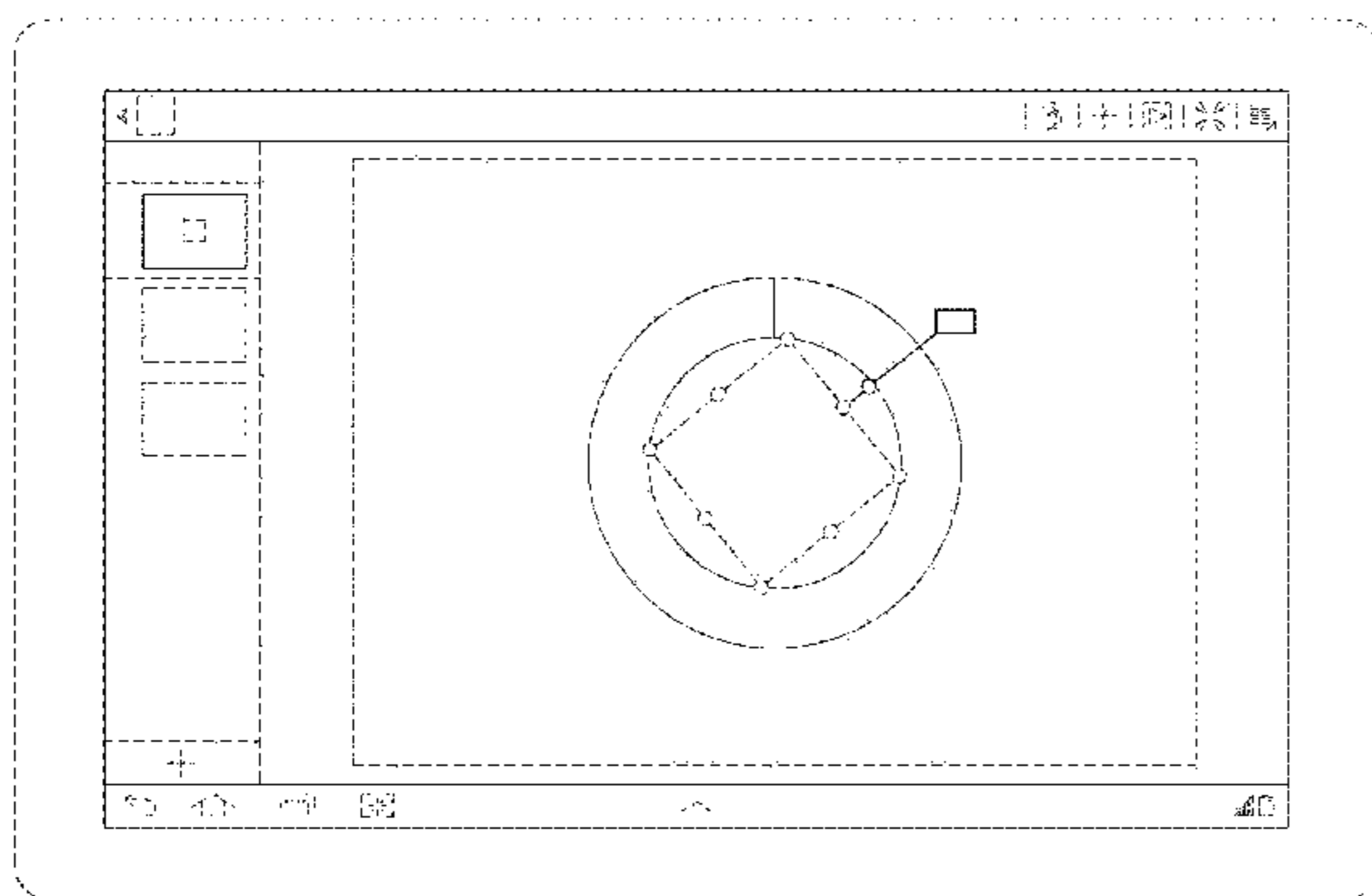


FIG. 1

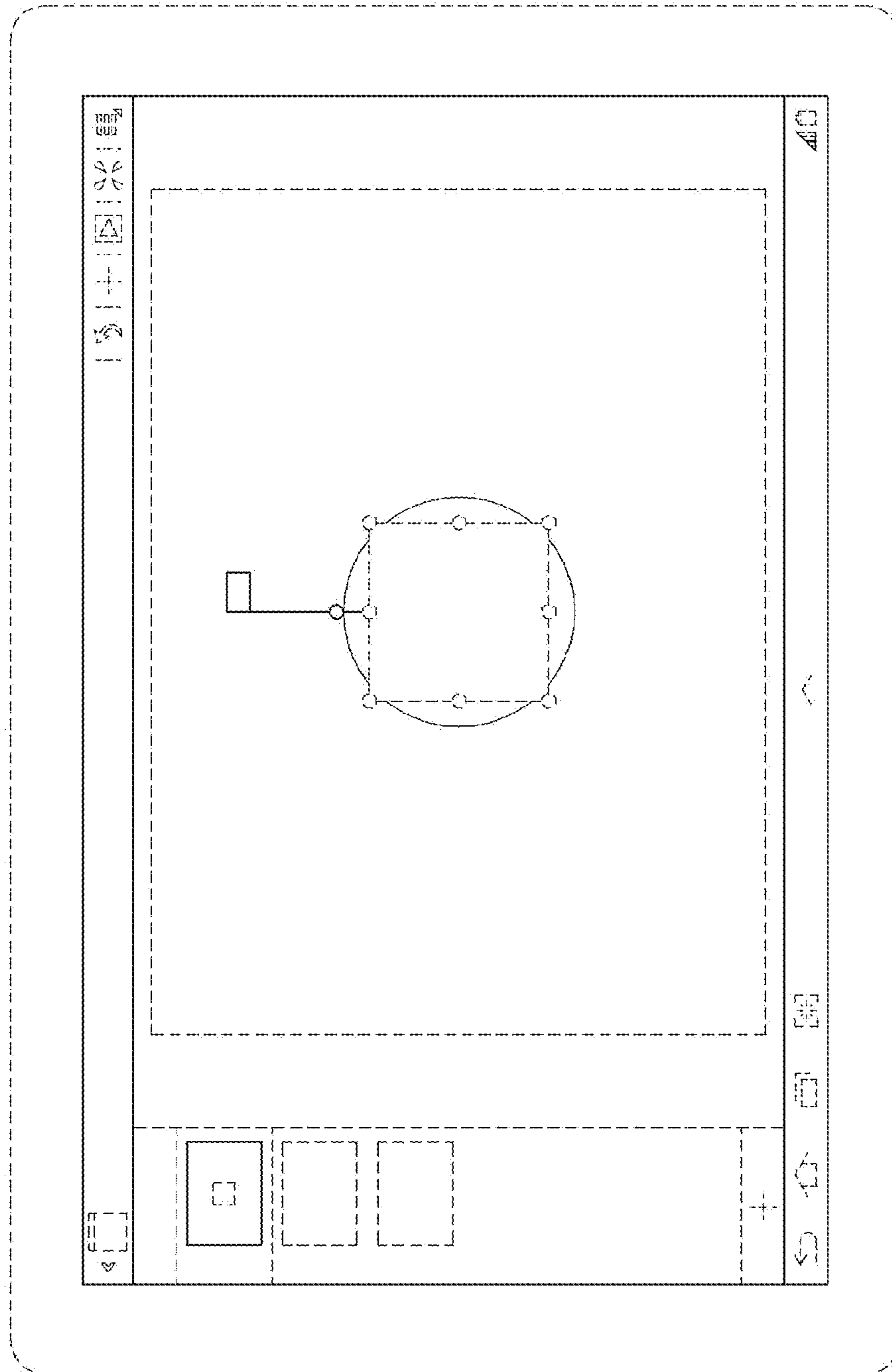


FIG. 2

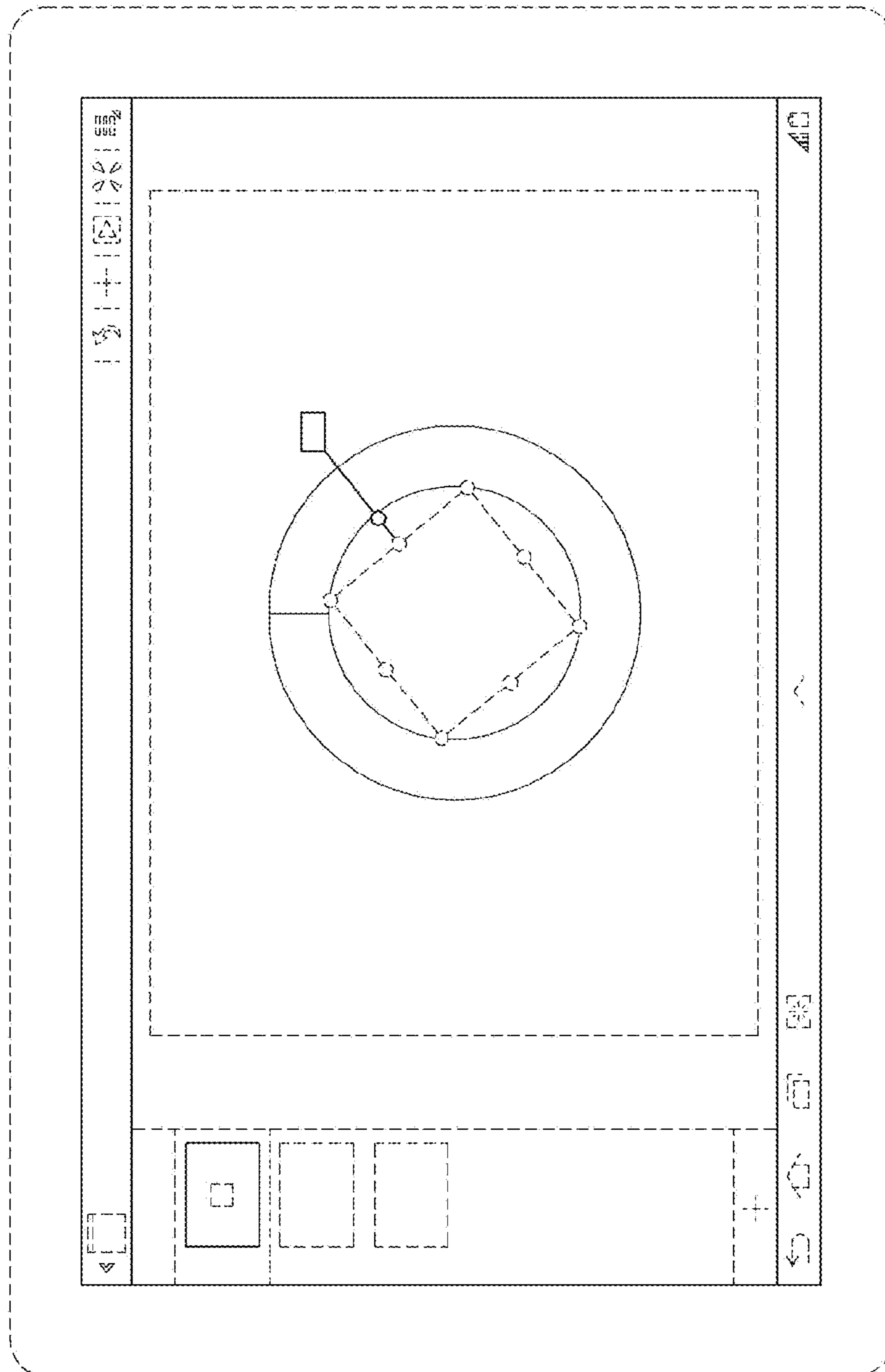


FIG. 3

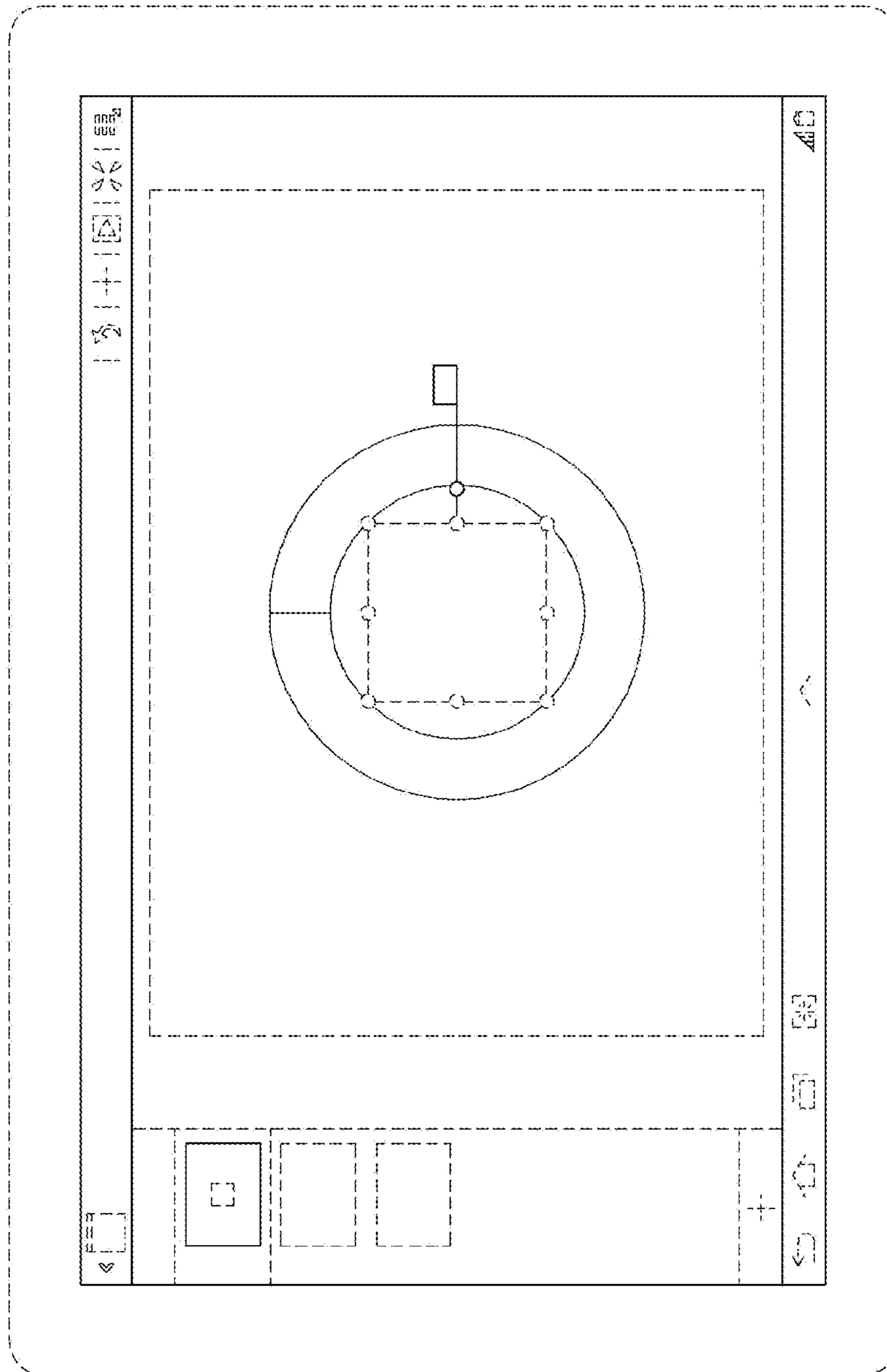


FIG. 4

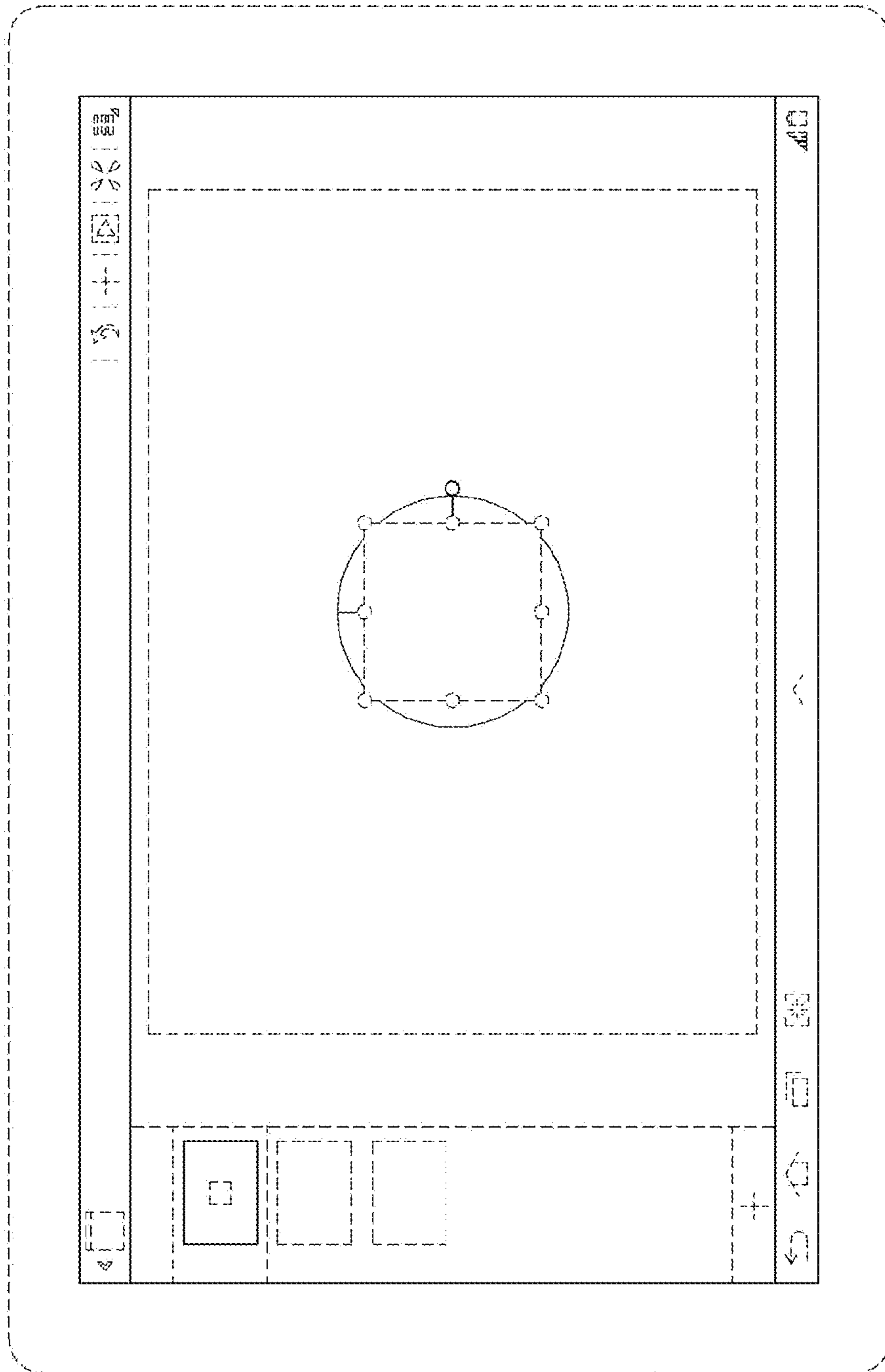


FIG. 5

