



US00D741879S

(12) **United States Design Patent**  
**Chapman et al.**

(10) **Patent No.:** **US D741,879 S**  
(45) **Date of Patent:** **\*\* Oct. 27, 2015**

(54) **DISPLAY SCREEN OR PORTION THEREOF WITH GRAPHICAL USER INTERFACE**

(75) Inventors: **Philip E. Chapman**, Oregon, WI (US);  
**Robert Q. Tham**, Middleton, WI (US);  
**Michael Foulis**, Madison, WI (US);  
**Wesley Moreau**, Cottage Grove, WI (US)

(73) Assignee: **General Electric Company**,  
Schenectady, NY (US)

(\*\*) Term: **14 Years**

(21) Appl. No.: **29/428,371**

(22) Filed: **Jul. 30, 2012**

(51) **LOC (10) Cl.** ..... **14-04**

(52) **U.S. Cl.**  
USPC ..... **D14/486**

(58) **Field of Classification Search**  
USPC ..... D14/485, 486, 487, 488, 489  
CPC ..... G06F 3/04818  
See application file for complete search history.

(56) **References Cited**

**U.S. PATENT DOCUMENTS**

4,409,669	A *	10/1983	Neumann et al. ....	712/36
5,898,434	A *	4/1999	Small et al. ....	715/810
6,121,965	A *	9/2000	Kenney et al. ....	715/810
6,158,432	A *	12/2000	Biondi et al. ....	128/204.21
6,188,407	B1 *	2/2001	Smith et al. ....	715/841
6,587,129	B1 *	7/2003	Lavendel et al. ....	715/776
7,134,994	B2 *	11/2006	Alpert et al. ....	600/300
D534,542	S *	1/2007	Jewitt et al. ....	D14/487
D539,809	S *	4/2007	Totten et al. ....	D14/487
7,376,469	B2 *	5/2008	Eischeid et al. ....	700/17
D589,972	S *	4/2009	Casagrande ....	D14/487
7,530,353	B2 *	5/2009	Choncholas et al. ....	128/204.18
D603,415	S	11/2009	Lin et al.	
D606,090	S	12/2009	Danton	
D608,366	S	1/2010	Matas	
D614,197	S *	4/2010	Casagrande ....	D14/487

8,021,310	B2 *	9/2011	Sanborn et al. ....	600/538
D678,302	S *	3/2013	Trumble et al. ....	D14/486
8,442,843	B2 *	5/2013	Kneuer et al. ....	705/2
8,485,183	B2 *	7/2013	Masic ....	128/204.21
8,567,393	B2 *	10/2013	Hickle et al. ....	128/203.14
8,638,200	B2 *	1/2014	Milne et al. ....	340/286.07
8,640,700	B2 *	2/2014	Baker, Jr. ....	128/204.23
8,757,153	B2 *	6/2014	Milne et al. ....	128/204.23

(Continued)

**OTHER PUBLICATIONS**

Avance\* CS2 with ecoFLOW brochure, Document EMEA DOC1210137, by GE Healthcare. Refer to the lower monitor shown on the ventilator workstation in the pictures. Printed in China, Oct. 2012. Retrieved from the Internet on Dec. 17, 2014. (12 pages).\*

(Continued)

*Primary Examiner* — Karen E Eldridge Powers

(74) *Attorney, Agent, or Firm* — Andrus Intellectual Property Law, LLP

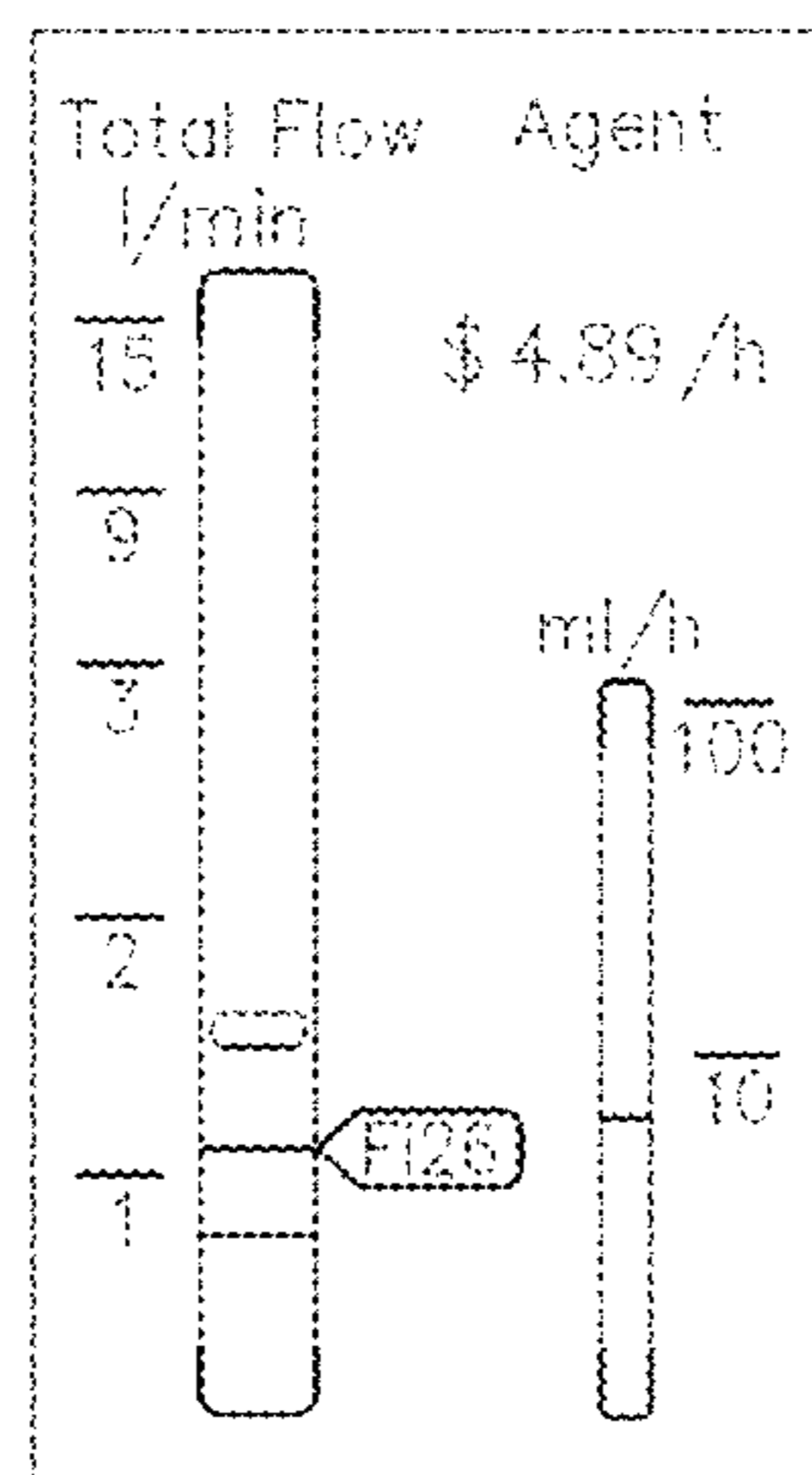
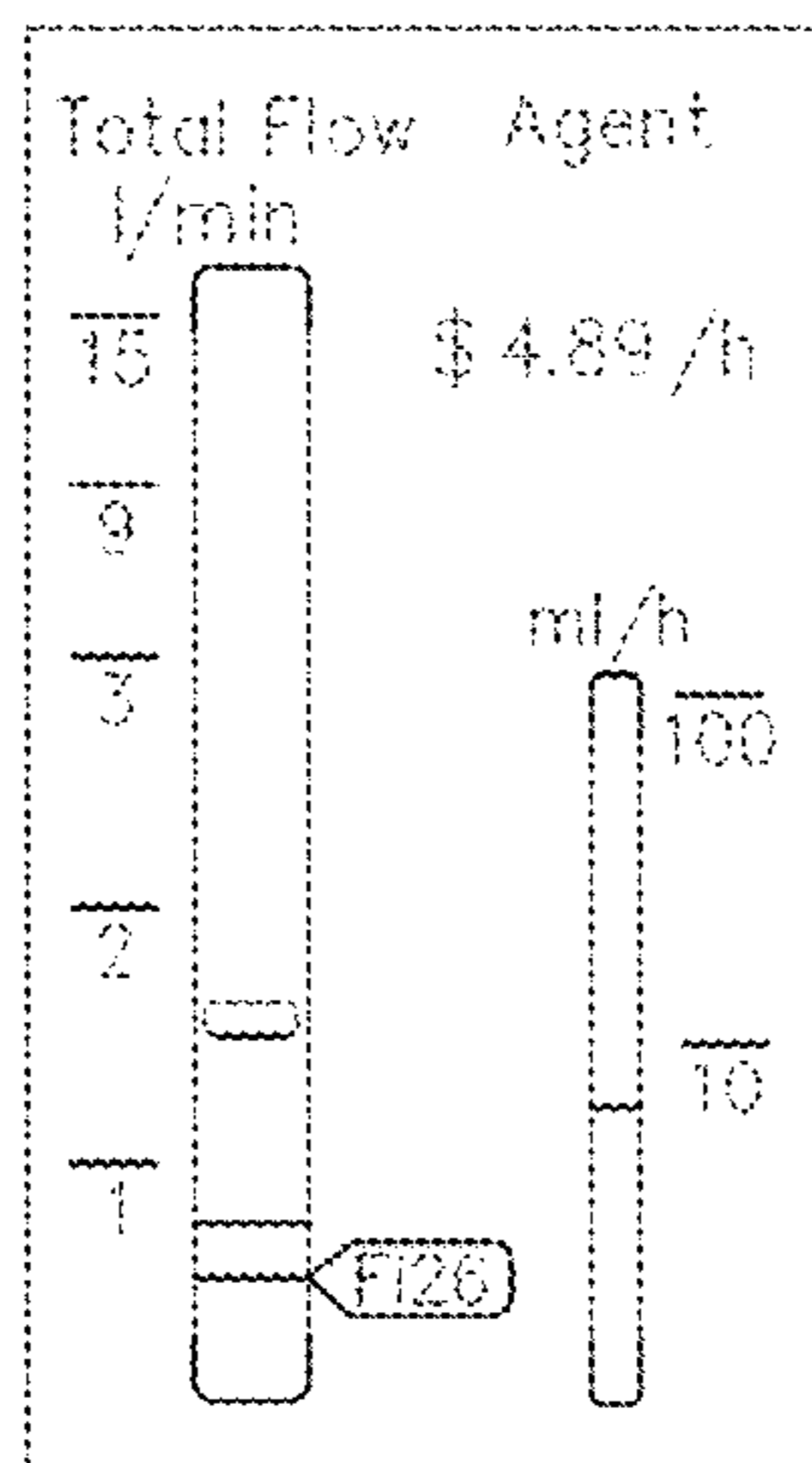
(57) **CLAIM**

The ornamental design for a display screen or portion thereof with graphical user interface, as shown and described.

**DESCRIPTION**

FIG. 1 is a first embodiment of a display screen or portion thereof with graphical user interface of the new design. FIG. 2 is a second embodiment of the display screen or portion thereof with graphical user interface of the new design; and, FIG. 3 is a third embodiment of the display screen or portion thereof with graphical user interface of the new design. The subject matter shown in broken lines in the drawings represents unclaimed features of the article of manufacture and forms no part of the claimed design. The appearance of the transitional image sequentially transitions between the images shown in FIGS. 1-2. The process or period in which one image transitions to another image forms no part of the claimed design.

**1 Claim, 3 Drawing Sheets**



(56)

**References Cited**

U.S. PATENT DOCUMENTS

D709,518 S \* 7/2014 Meegan et al. .... D14/486  
 D710,374 S \* 8/2014 Meegan et al. .... D14/486  
 D713,854 S \* 9/2014 Cojuangco et al. .... D14/486  
 D717,328 S \* 11/2014 Lin ..... D14/486  
 8,881,724 B2 \* 11/2014 Choncholas et al. .... 128/204.21  
 8,910,633 B2 \* 12/2014 Younes ..... 128/204.23  
 2003/0216621 A1 \* 11/2003 Alpert et al. .... 600/300  
 2004/0103897 A1 \* 6/2004 Hickle et al. .... 128/204.23  
 2007/0062533 A1 \* 3/2007 Choncholas et al. .... 128/204.23  
 2007/0299616 A1 \* 12/2007 Barrett et al. .... 702/19  
 2010/0180896 A1 \* 7/2010 Blomquist et al. .... 128/204.23  
 2011/0016025 A1 \* 1/2011 Gaisford ..... 705/27.1  
 2011/0132368 A1 \* 6/2011 Sanchez et al. .... 128/204.23  
 2012/0096381 A1 \* 4/2012 Milne et al. .... 715/771

2012/0145152 A1 \* 6/2012 Lain et al. .... 128/204.23  
 2012/0204875 A1 \* 8/2012 Brazy et al. .... 128/204.22  
 2012/0272957 A1 \* 11/2012 Chapman et al. .... 128/203.12  
 2013/0032147 A1 \* 2/2013 Robinson et al. .... 128/204.18  
 2013/0032149 A1 \* 2/2013 Robinson et al. .... 128/204.21  
 2013/0235080 A1 \* 9/2013 Robinson et al. .... 345/634  
 2013/0276785 A1 \* 10/2013 Melker et al. .... 128/204.23  
 2013/0289364 A1 \* 10/2013 Colman et al. .... 600/301  
 2014/0032241 A1 \* 1/2014 Coffeng ..... 705/3  
 2014/0121475 A1 \* 5/2014 Alpert et al. .... 600/301

OTHER PUBLICATIONS

Anesthesia Workstations Brochure, Draeger Medical, Inc.; Copyrighted 2011.

\* cited by examiner

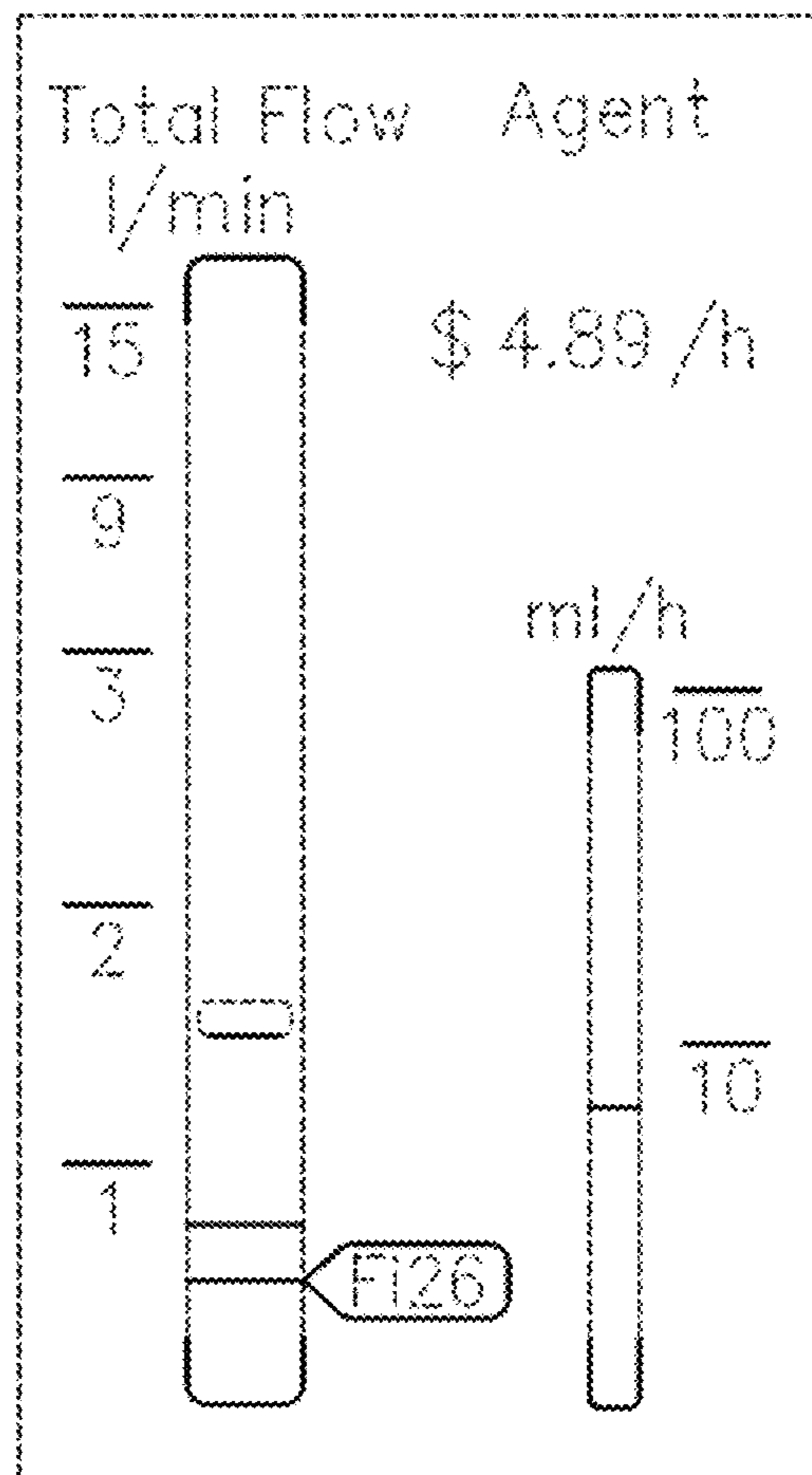


FIG. 1

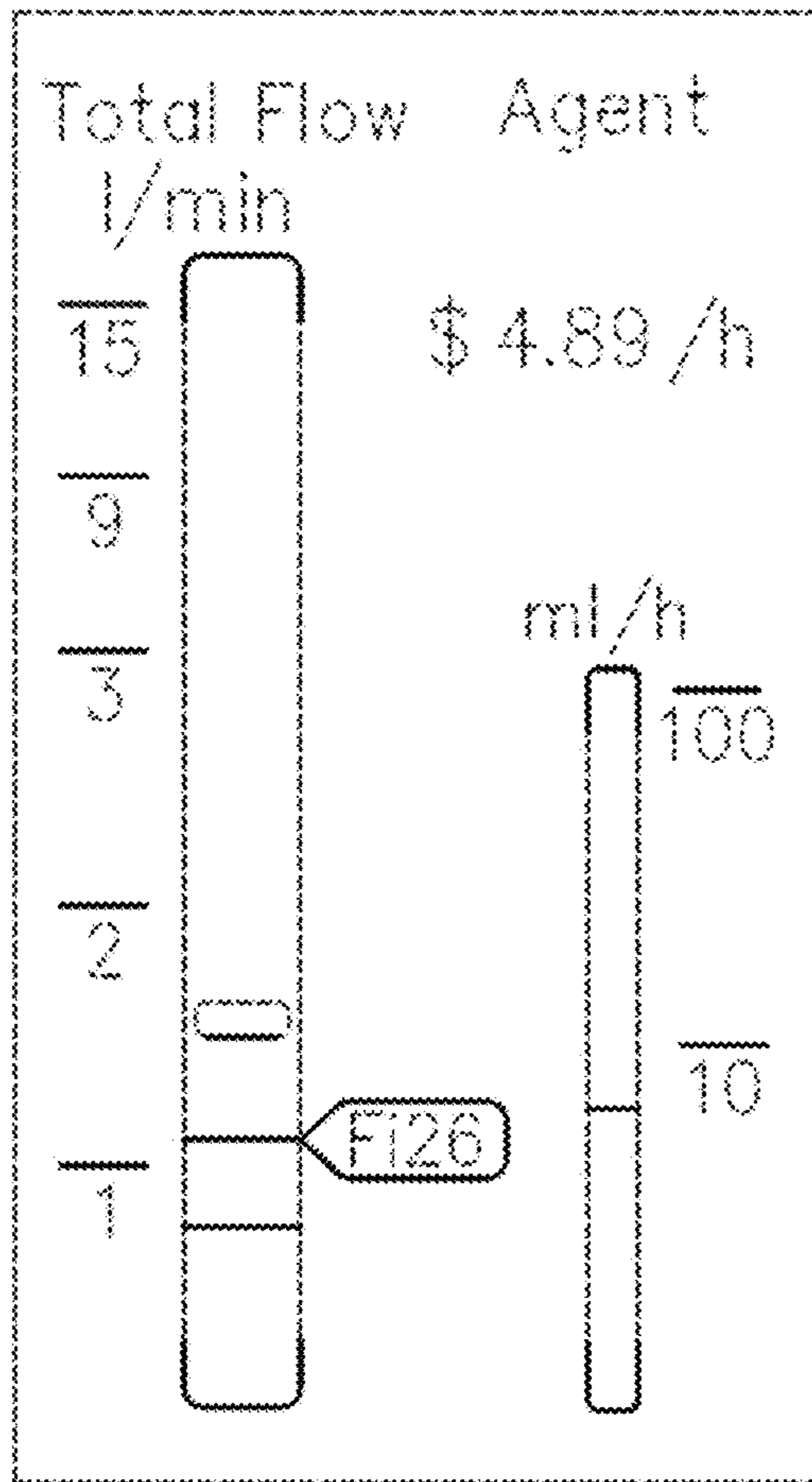


FIG. 2

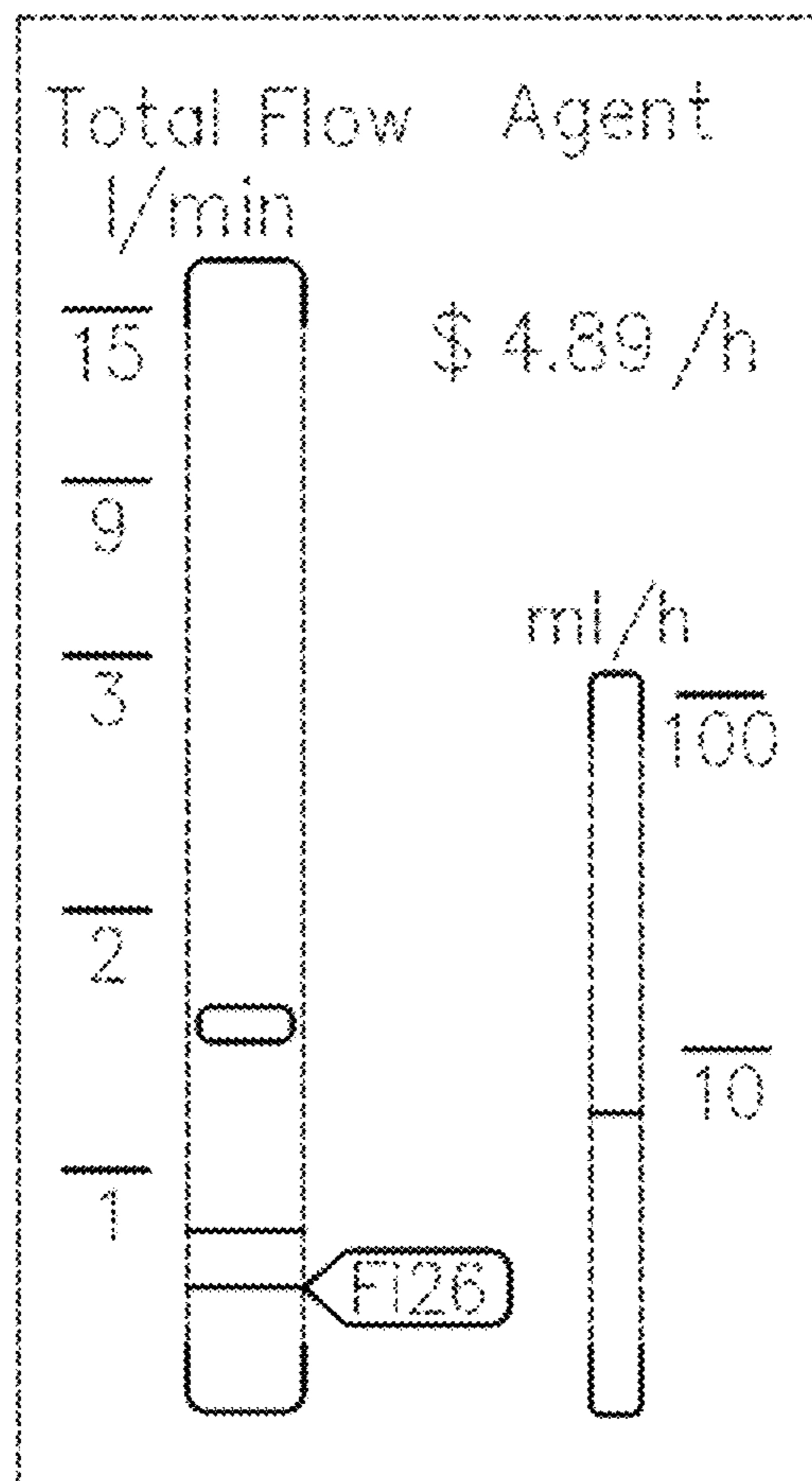


FIG. 3