



US00D741870S

(12) **United States Design Patent**
Xiang et al.

(10) **Patent No.:** **US D741,870 S**

(45) **Date of Patent:** **** Oct. 27, 2015**

(54) **MOUNTING ARM FOR FLAT PANEL DISPLAY**

A47B 21/0314; A47B 88/044; A47B 2021/0335; H02G 3/126; F16B 47/00; F16B 47/006; A47G 1/17; A47K 2201/00

(71) Applicant: **LOCTEK VISUAL TECHNOLOGY CORP.**, Ningbo (CN)

See application file for complete search history.

(72) Inventors: **Lehong Xiang**, Ningbo (CN); **Yi Jiang**, Ningbo (CN)

(56) **References Cited**

(73) Assignee: **LOCTEK VISUAL TECHNOLOGY CORP.**, Ningbo (CN)

U.S. PATENT DOCUMENTS

(**) Term: **14 Years**

(21) Appl. No.: **29/472,363**

(22) Filed: **Nov. 12, 2013**

(30) **Foreign Application Priority Data**

Jul. 30, 2013 (CN) 2013 3 0362225

(51) **LOC (10) Cl.** **08-07**

(52) **U.S. Cl.**
USPC **D14/452**

(58) **Field of Classification Search**
USPC D14/371-382, 125-129, 336, 337, D14/447-452, 492, 335, 239, 457, 439-441, D14/432, 251-253; D8/349, 354, 363, 373, D8/376, 380; D21/333; D12/415; D3/218; 348/180, 184, 325, 739, 825; 248/323, 248/278.1, 286.1

CPC G06F 3/0412; G06F 3/016; G06F 3/0488; G06F 3/011; G06F 3/038; G06F 3/03543; G06F 3/0338; G06F 3/0202; G06F 3/0219; G06F 3/0213; G06F 1/1616; G06F 3/023; G06F 3/04883; G02F 1/13338; G02F 1/1313; G02F 1/1333; G02F 1/135; G02F 1/132; G02F 1/133308; G02F 1/134309; G02F 1/13718; G09G 3/3648; G06K 15/1252; B41J 2/465; G03F 7/70291; G02B 27/0172; G02B 5/30; G02B 2027/0118; G02B 27/0101; F16M 13/02; F16M 13/00; F16M 11/10; F16M 11/04; F16M 2200/08; F16M 11/2021;

D505,858 S *	6/2005	O'Keene	D8/355
D558,562 S *	1/2008	Ciungan et al.	D8/363
D558,563 S *	1/2008	Ciungan et al.	D8/363
D559,088 S *	1/2008	Ciungan et al.	D8/363
D581,916 S *	12/2008	Sculler et al.	D14/239
D611,480 S *	3/2010	Hau et al.	D14/452
D627,767 S *	11/2010	Molter et al.	D14/239
D631,874 S *	2/2011	Molter et al.	D14/239
D632,287 S *	2/2011	Molter et al.	D14/239
D634,739 S *	3/2011	Molter et al.	D14/239
8,100,372 B2 *	1/2012	Vlies	248/220.1
D656,493 S *	3/2012	Dolack	D14/239
D659,147 S *	5/2012	Hu et al.	D14/447
D660,844 S *	5/2012	Kaluza	D14/452
2008/0258029 A1 *	10/2008	Zhang	248/284.1

* cited by examiner

Primary Examiner — Deanna L Pratt

Assistant Examiner — Katie Mroczka

(74) *Attorney, Agent, or Firm* — Pearne & Gordon LLP

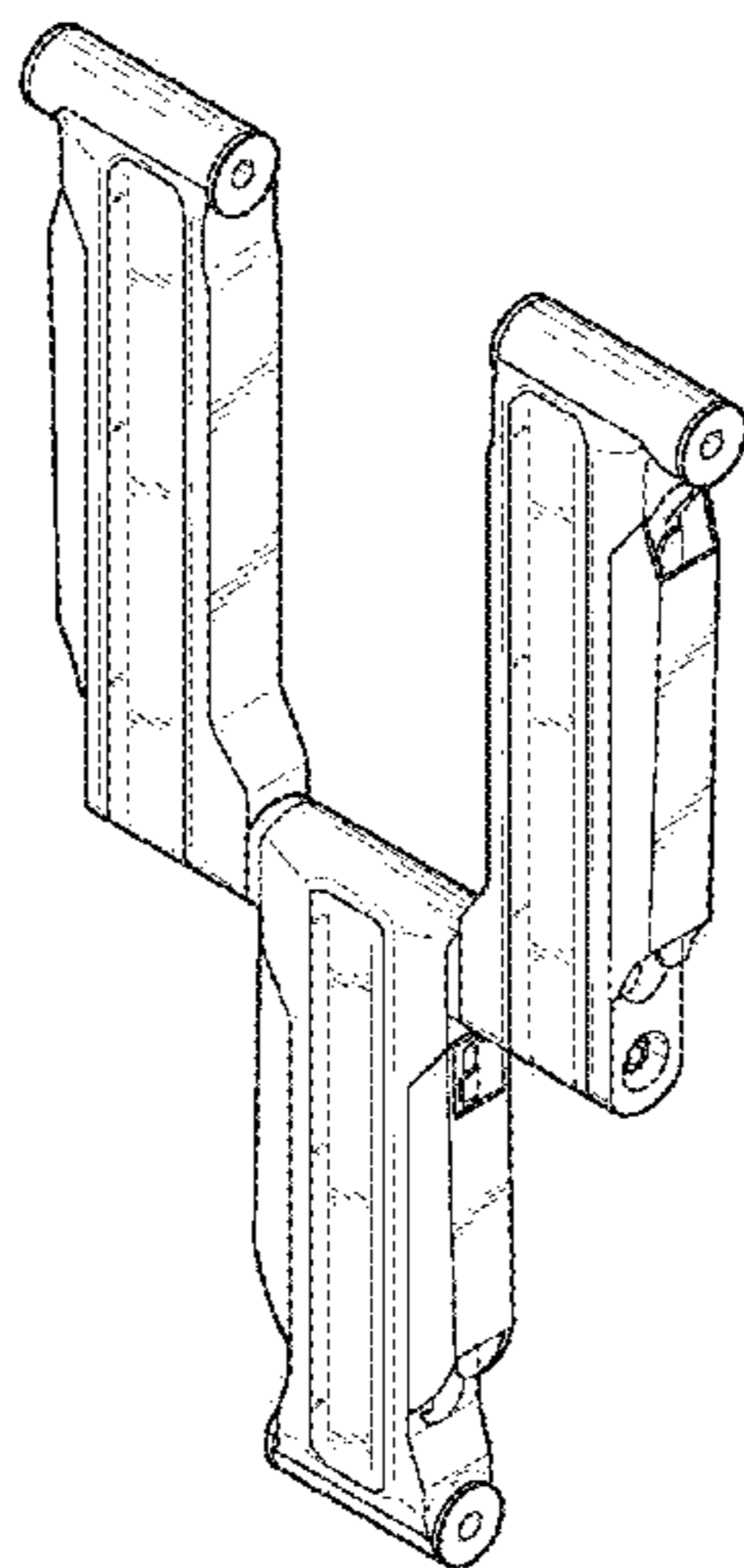
(57) **CLAIM**

The ornamental design for a mounting arm for flat panel display, as shown and described.

DESCRIPTION

FIG. 1 is a front view of mounting arm for flat panel display. FIG. 2 is a rear view thereof. FIG. 3 is a top view thereof. FIG. 4 is a bottom view thereof. FIG. 5 is a left view thereof. FIG. 6 is a right view thereof; and, FIG. 7 is a perspective view thereof.

1 Claim, 7 Drawing Sheets



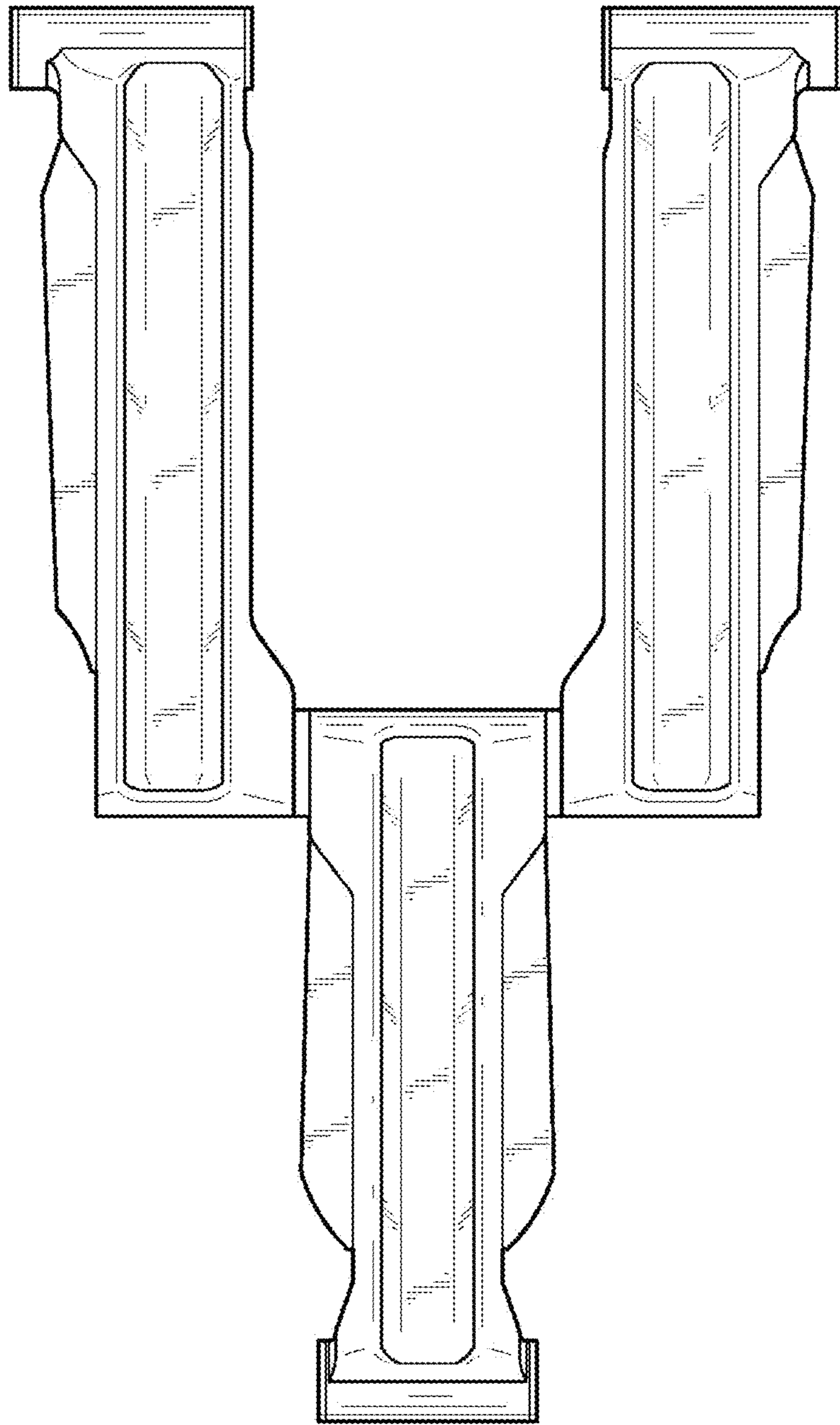


FIG. 1

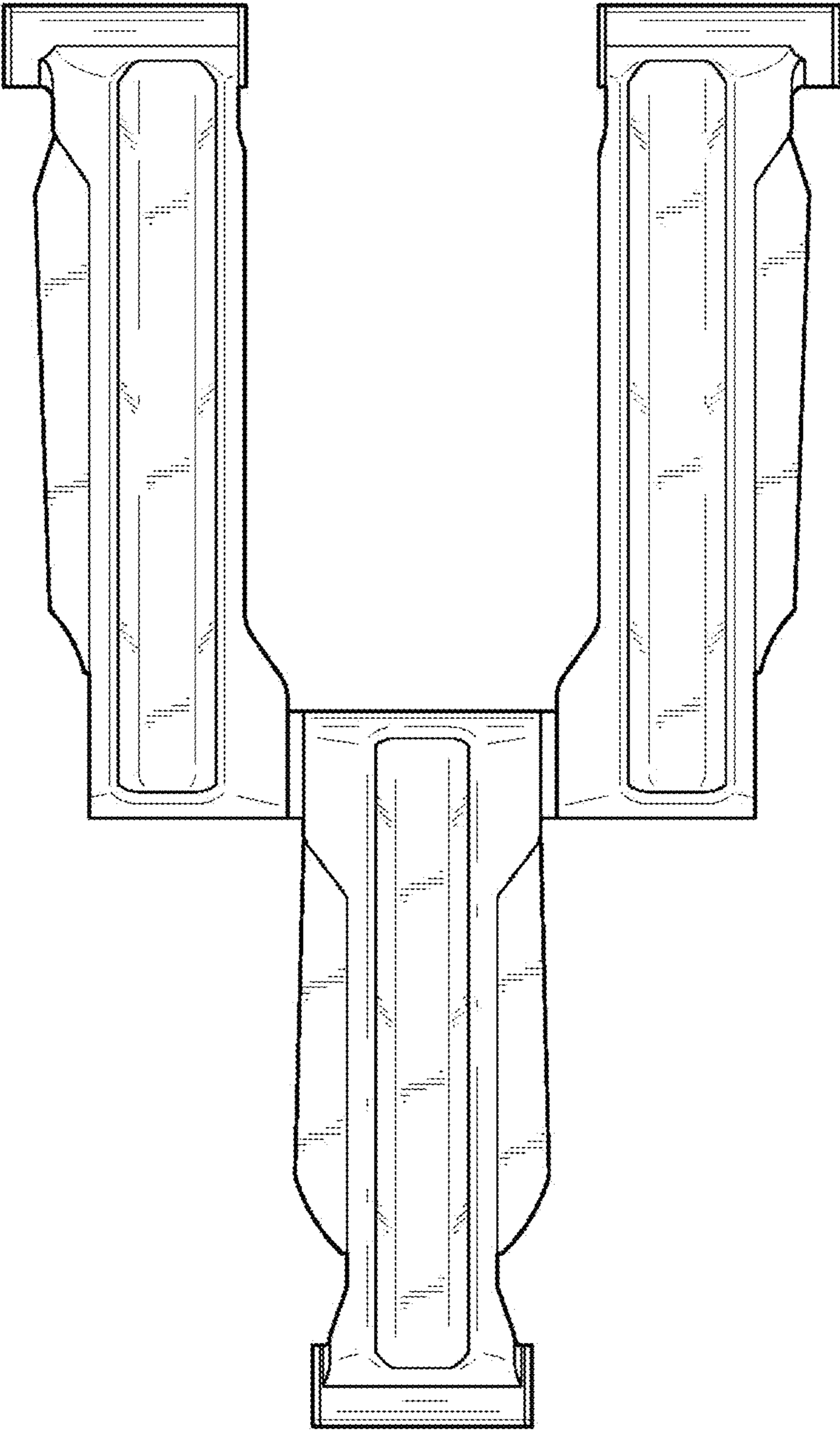


FIG. 2



FIG. 3



FIG. 4



FIG. 5

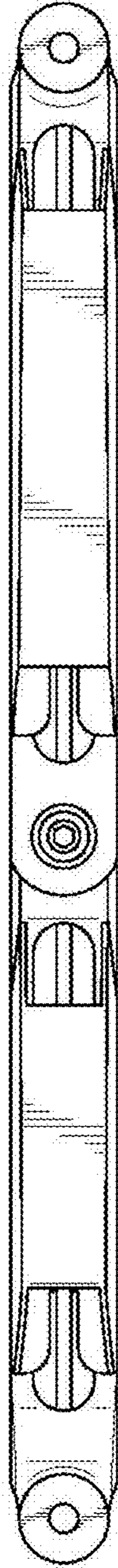


FIG. 6

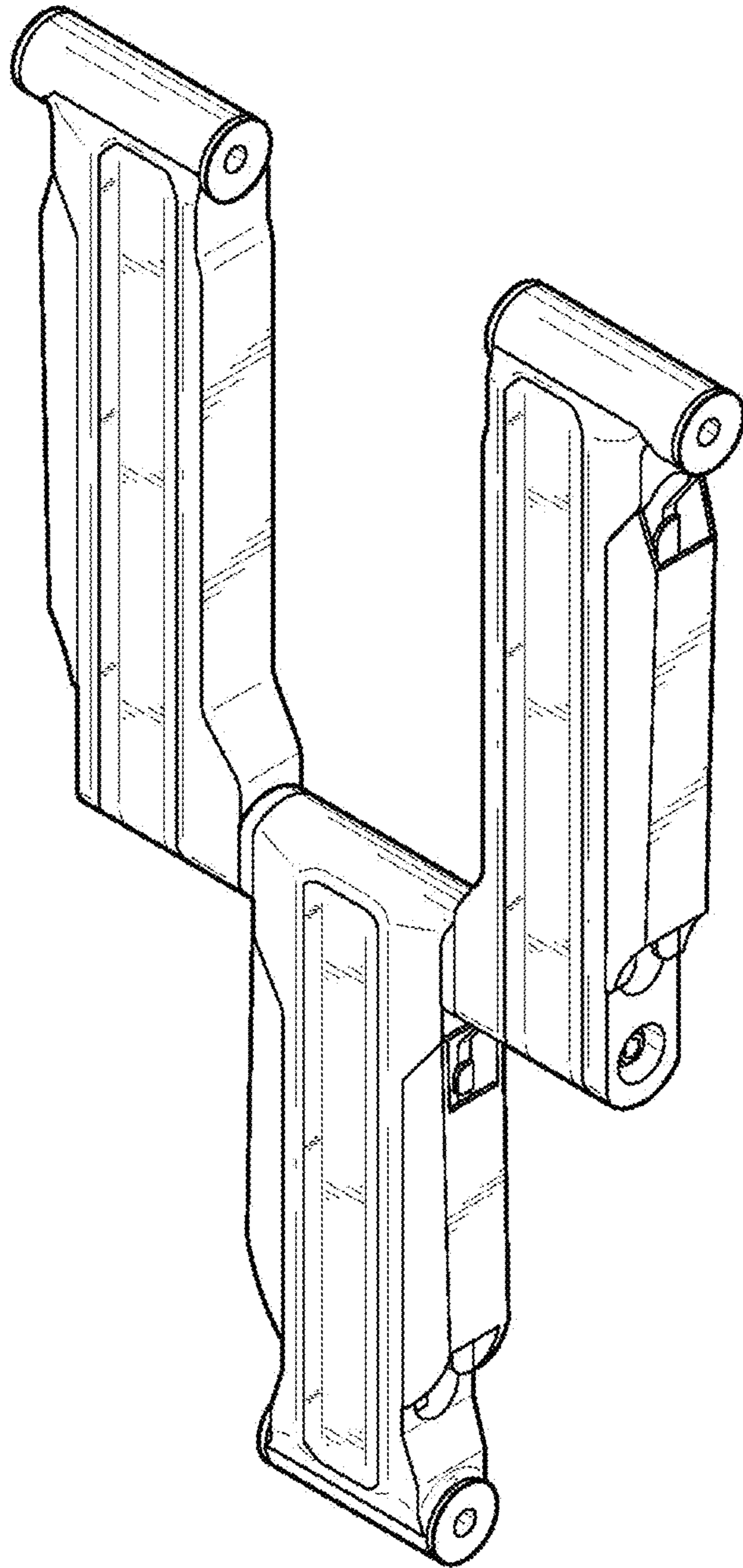


FIG. 7