



US00D741869S

(12) **United States Design Patent**
Xiang et al.

(10) **Patent No.:** **US D741,869 S**

(45) **Date of Patent:** **** Oct. 27, 2015**

(54) **MOUNTING ARM FOR FLAT PANEL DISPLAY**

F16M 13/02; F16M 13/00; F16M 11/10;
F16M 11/04; F16M 2200/08; F16M 11/2021;
A47B 21/0314; A47B 88/044; A47B
2021/0335; H02G 3/126; F16B 47/00; F16B
47/006; A47G 1/17; A47K 2201/00

(71) Applicant: **LOCTEK VISUAL TECHNOLOGY CORP.**, Ningbo (CN)

See application file for complete search history.

(72) Inventors: **Lehong Xiang**, Ningbo (CN); **Yi Jiang**, Ningbo (CN); **Qiang Chen**, Ningbo (CN)

(56) **References Cited**

U.S. PATENT DOCUMENTS

(73) Assignee: **LOCTEK VISUAL TECHNOLOGY CORP.**, Ningbo (CN)

D435,852	S	*	1/2001	Oddsens, Jr.	D14/452
D507,477	S	*	7/2005	Pfister	D8/363
7,028,961	B1	*	4/2006	Dittmer et al.	248/278.1
D520,017	S	*	5/2006	van Kuijk et al.	D14/452
D559,662	S	*	1/2008	Sculler et al.	D8/380
D636,765	S	*	4/2011	Molter et al.	D14/239
D651,199	S	*	12/2011	Huang	D14/239
D652,030	S	*	1/2012	Dolack	D14/239
D660,843	S	*	5/2012	Kaluza	D14/452
D666,207	S	*	8/2012	Brandt	D14/452
8,254,092	B2	*	8/2012	Russell et al.	361/679.01
8,469,323	B1	*	6/2013	Deros et al.	248/278.1
2013/0161465	A1	*	6/2013	Huang	248/278.1

(**) Term: **14 Years**

(21) Appl. No.: **29/472,360**

(22) Filed: **Nov. 12, 2013**

(30) **Foreign Application Priority Data**

Sep. 11, 2013 (CN) 2013 3 0438065

(51) **LOC (10) Cl.** **08-07**

(52) **U.S. Cl.**
USPC **D14/452**

(58) **Field of Classification Search**
USPC D14/371-382, 125-129, 336, 337,
D14/447-452, 492, 335, 239, 457, 439-441,
D14/432, 251-253; D8/349, 354, 363, 373,
D8/376, 380; D21/333; D12/415; D3/218;
348/180, 184, 325, 739, 825; 248/323,
248/278.1, 286.1

CPC G06F 3/0412; G06F 3/016; G06F 3/0488;
G06F 3/011; G06F 3/038; G06F 3/03543;
G06F 3/0338; G06F 3/0202; G06F 3/0219;
G06F 3/0213; G06F 1/1616; G06F 3/023;
G06F 3/04883; G02F 1/13338; G02F 1/1313;
G02F 1/1333; G02F 1/135; G02F 1/132;
G02F 1/133308; G02F 1/134309; G02F
1/13718; G09G 3/3648; G06K 15/1252;
B41J 2/465; G03F 7/70291; G02B 27/0172;
G02B 5/30; G02B 2027/0118; G02B 27/0101;

* cited by examiner

Primary Examiner — Deanna L Pratt

Assistant Examiner — Katie Mroczka

(74) *Attorney, Agent, or Firm* — Pearne & Gordon LLP

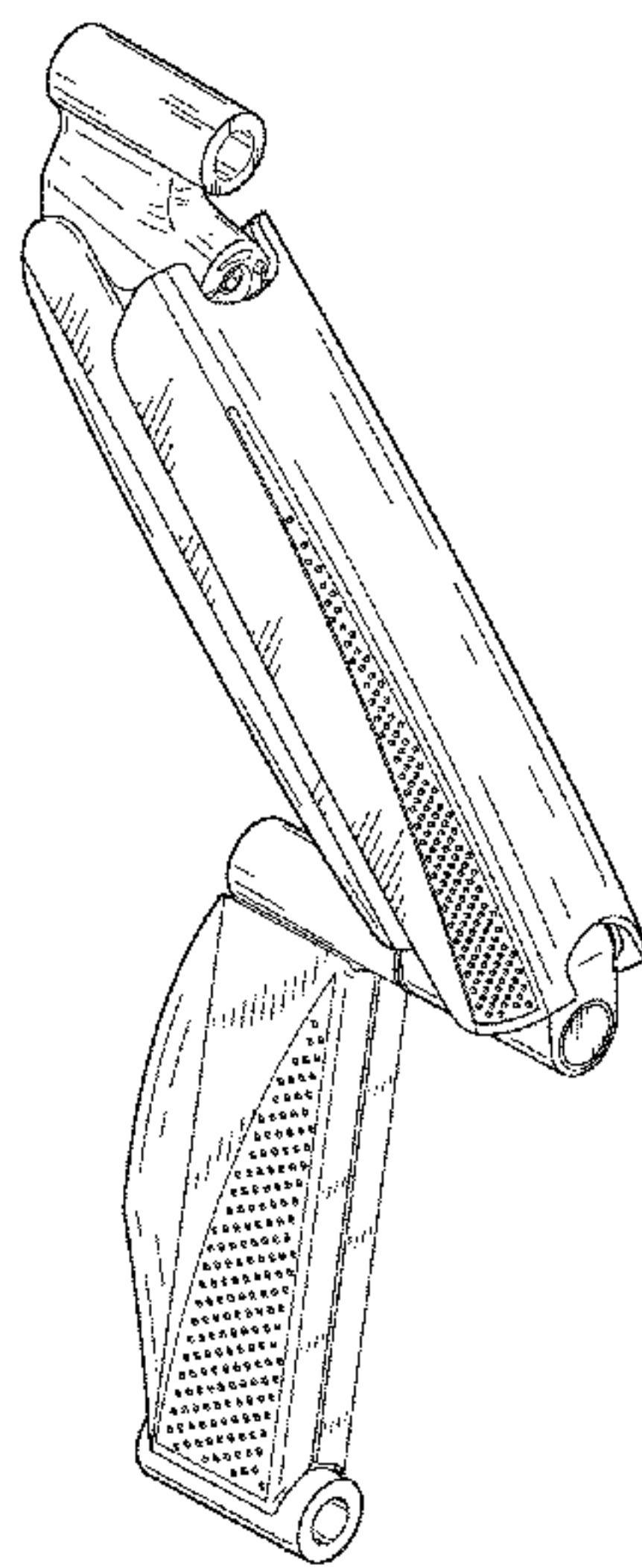
(57) **CLAIM**

The ornamental design for a mounting arm for flat panel display, as shown and described.

DESCRIPTION

FIG. 1 is a front view of mounting arm for flat panel display.
FIG. 2 is a rear view thereof.
FIG. 3 is a top view thereof.
FIG. 4 is a bottom view thereof.
FIG. 5 is a left view thereof.
FIG. 6 is a right view thereof; and,
FIG. 7 is a perspective view thereof.

1 Claim, 7 Drawing Sheets



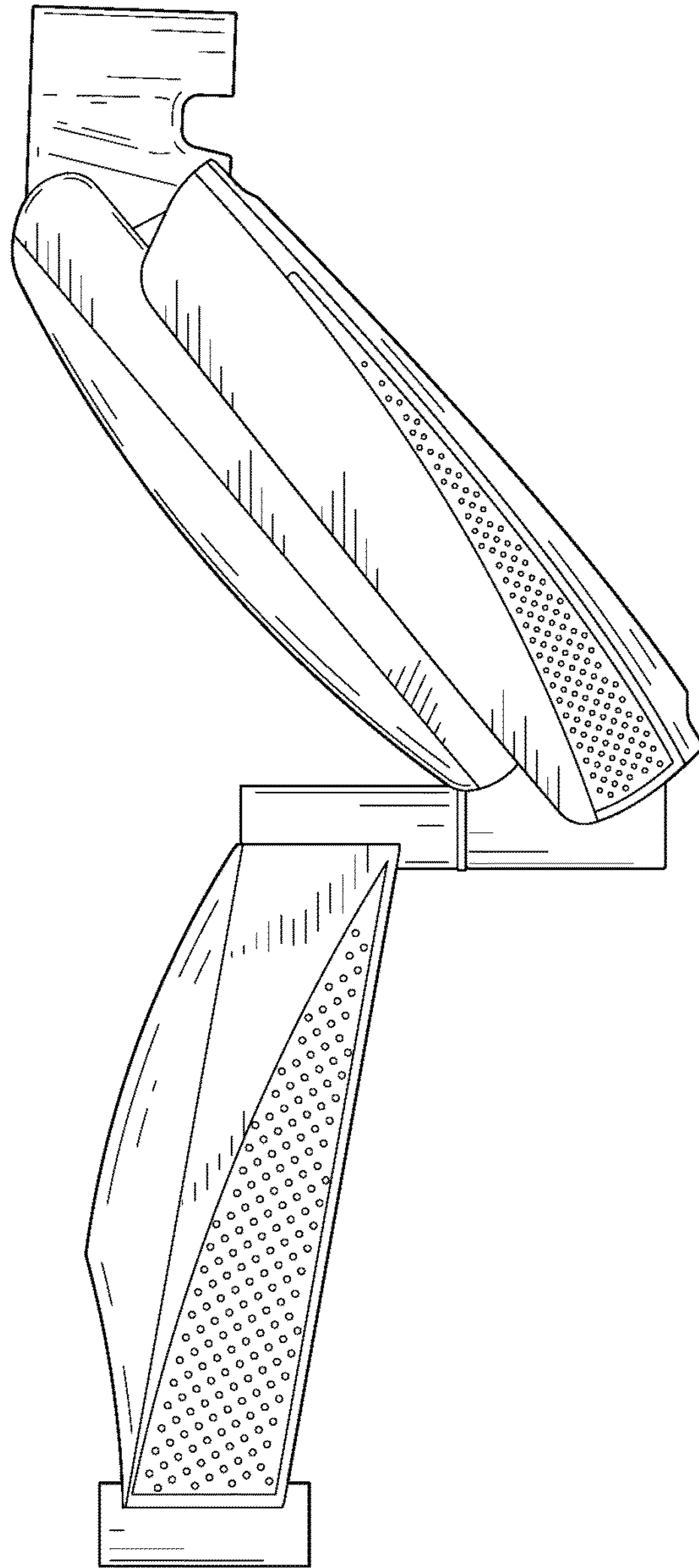


FIG. 1

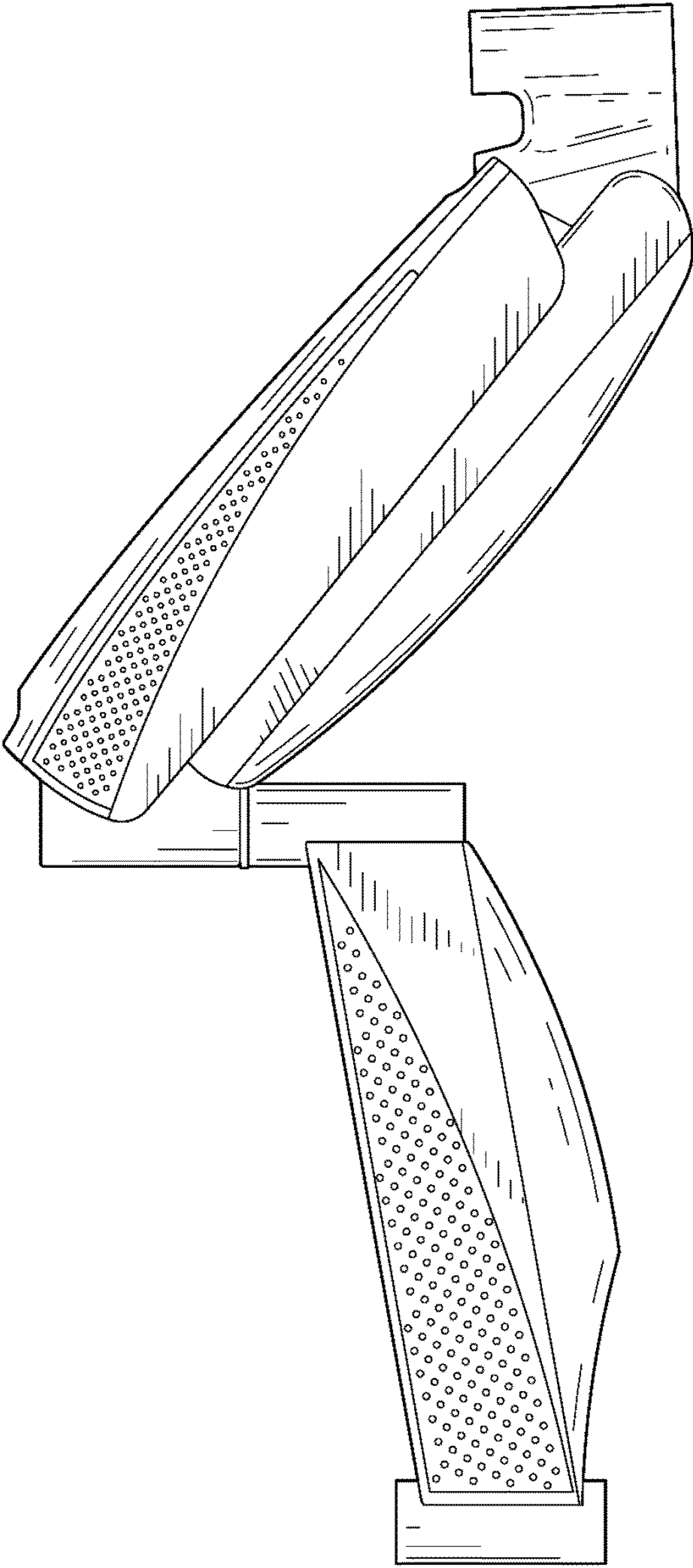


FIG. 2

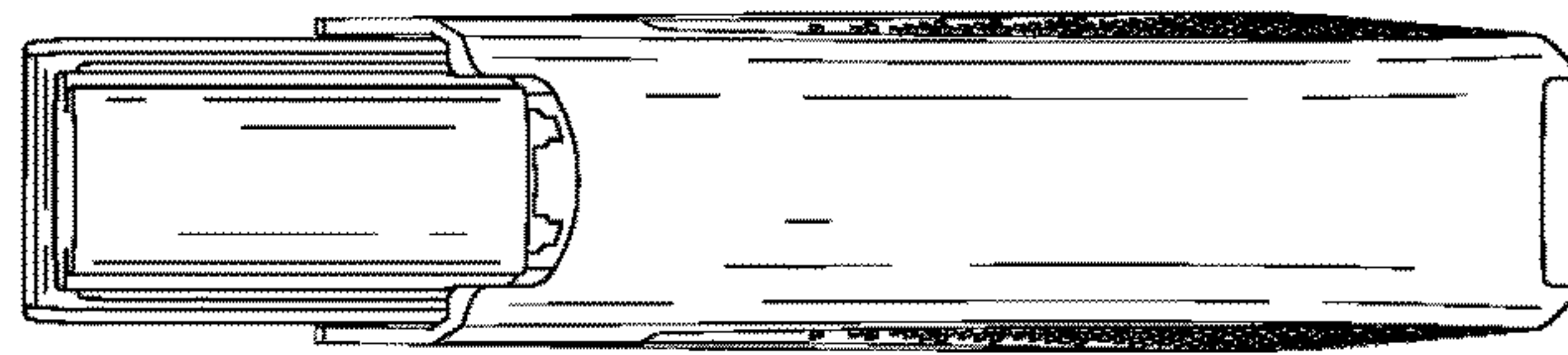


FIG. 3

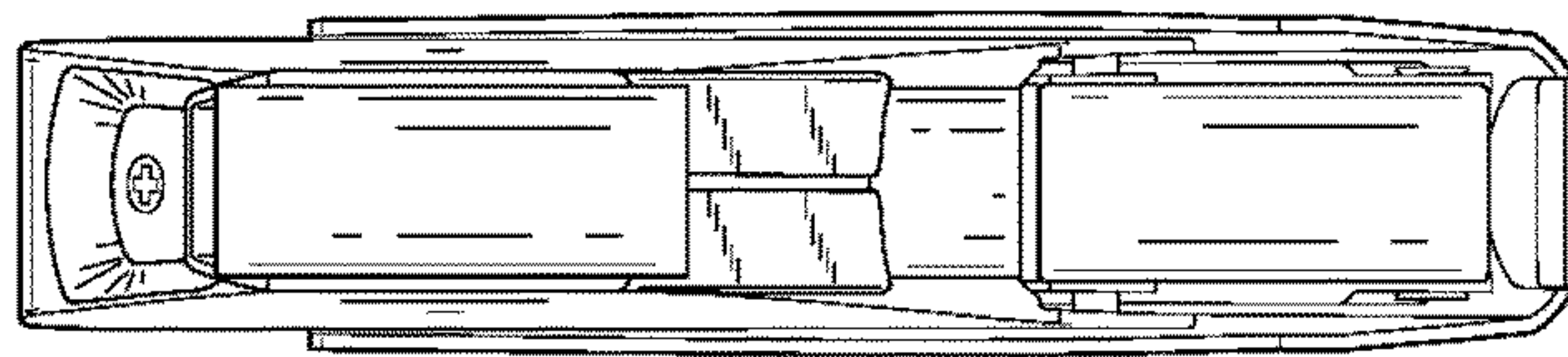


FIG. 4

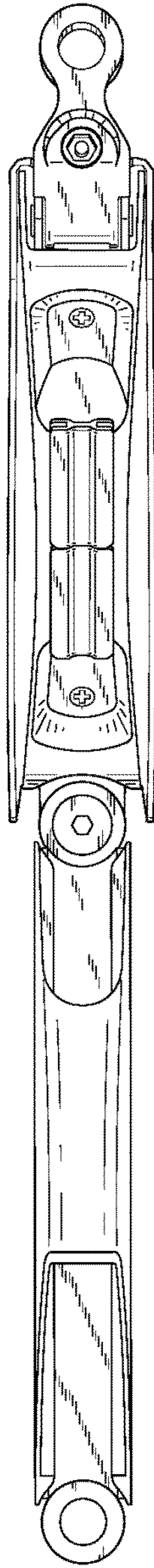


FIG. 5

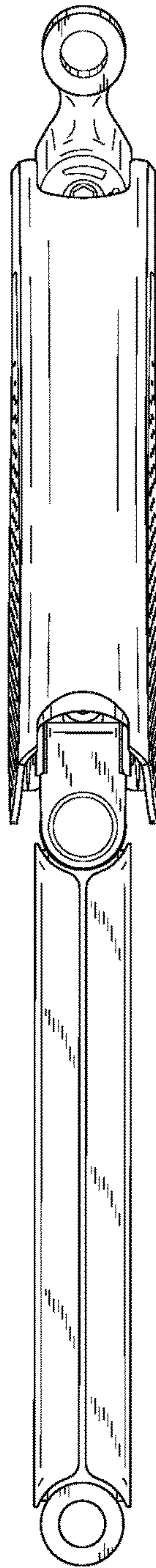


FIG. 6

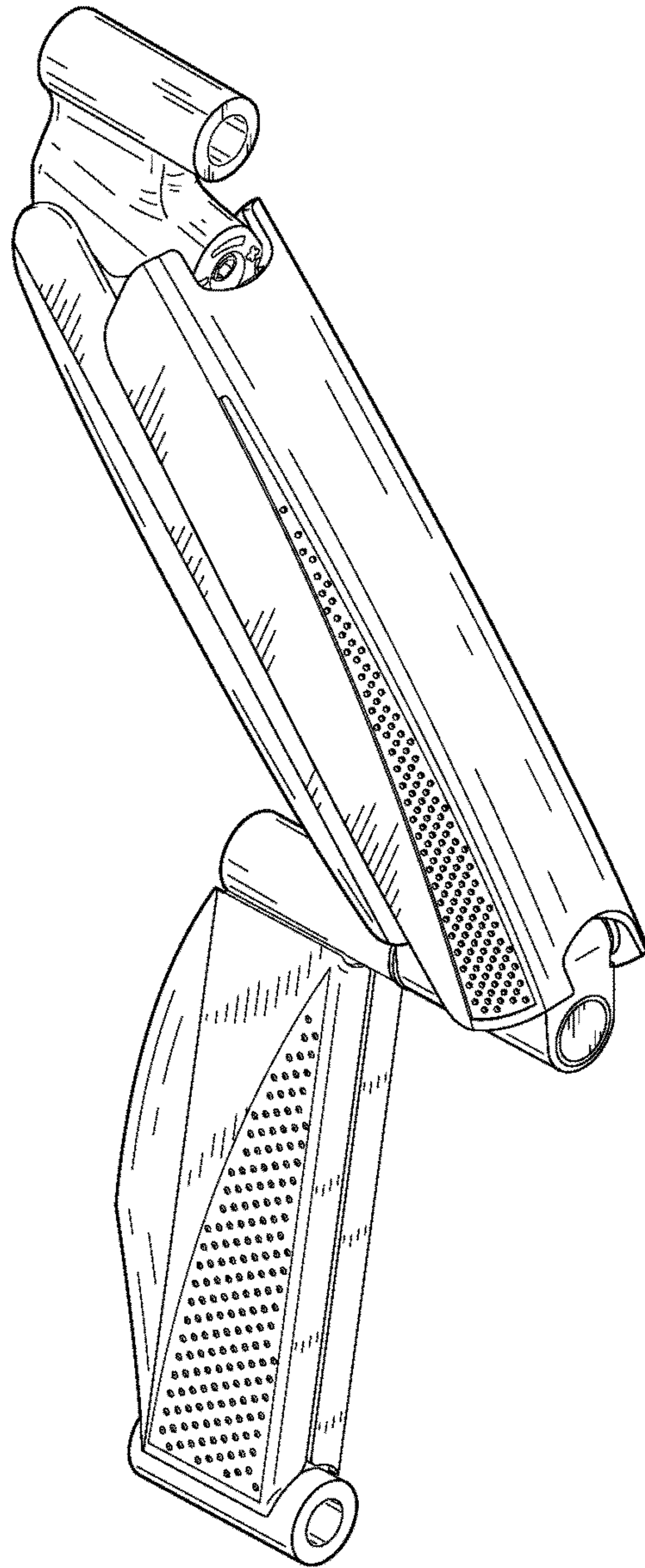


FIG. 7