



US00D741867S

(12) **United States Design Patent**
Liu

(10) **Patent No.:** **US D741,867 S**
(45) **Date of Patent:** **** Oct. 27, 2015**

(54) **COMPACT TABLET COMPUTER CASE**

(71) Applicant: **Warren Liu**, Chino, CA (US)

(72) Inventor: **Warren Liu**, Chino, CA (US)

(73) Assignee: **GoDirectInc.Com, Inc.**, Chino, CA (US)

(**) Term: **14 Years**

(21) Appl. No.: **29/444,517**

(22) Filed: **Jan. 31, 2013**

(51) **LOC (10) Cl.** **14-02**

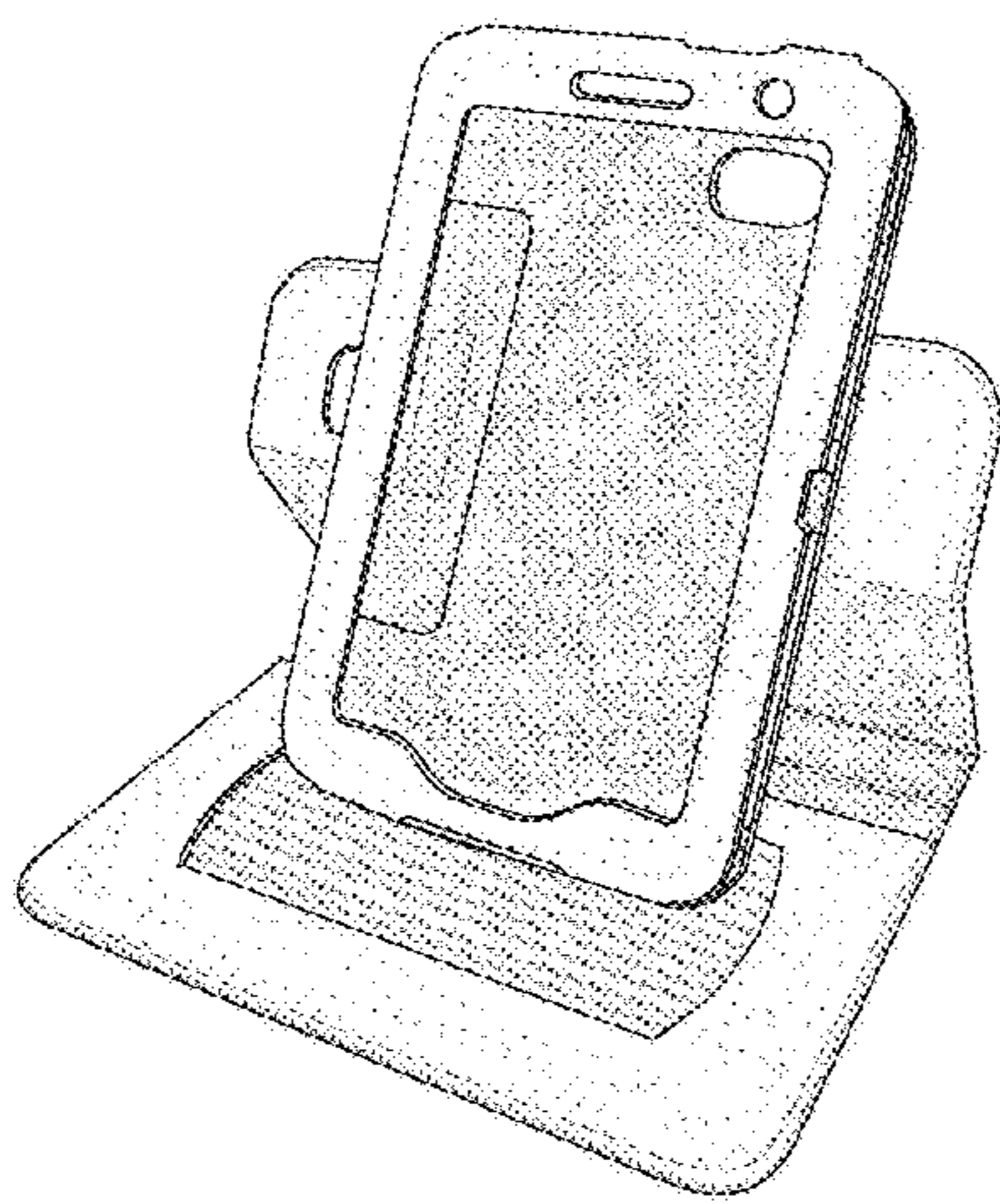
(52) **U.S. Cl.**
USPC **D14/440**

(58) **Field of Classification Search**
USPC D14/250, 251, 253, 240, 217, 496, 440,
D14/203.3, 203.4, 203.5, 203.8, 341, 318;
D3/218, 215, 201, 294, 289, 900;
220/4.02; 248/309.1; 361/679.56;
379/426, 433.11, 455; 455/575.1,
455/575.8, 457.1; 190/100; 206/305, 320,
206/45.2; D21/469; 312/240
CPC ... G06F 1/1601; G06F 1/1626; G06F 1/1633;
G06F 1/1675; G06F 1/1679; G02F 1/1306;
G02F 1/133; G02F 1/133308; G02F 1/153;
G02F 1/1533; G02F 2001/133317; H04M
1/185; H04M 1/0252; H04B 1/3888
See application file for complete search history.

(56) **References Cited**
U.S. PATENT DOCUMENTS

1,613,536 A * 1/1927 Rose 132/315
D230,376 S * 2/1974 Andrew D19/91
4,259,568 A * 3/1981 Dynesen 235/1 D
6,772,879 B1 * 8/2004 Domotor 206/45.23
7,281,698 B2 * 10/2007 Patterson, Jr. 248/458
7,414,833 B2 * 8/2008 Kittayapong 361/679.27
7,735,644 B2 * 6/2010 Sirichai et al. 206/320
D658,187 S * 4/2012 Diebel D14/440
D658,188 S * 4/2012 Diebel D14/440
D663,304 S * 7/2012 Akana et al. D14/440
8,230,992 B2 * 7/2012 Law et al. 206/320

8,245,843 B1 * 8/2012 Wu 206/320
8,312,991 B2 * 11/2012 Diebel et al. 206/45.24
D671,948 S * 12/2012 Akana et al. D14/440
D672,353 S * 12/2012 Liu D14/440
D672,781 S * 12/2012 Lu D14/440
D675,625 S * 2/2013 Hasbrook et al. D14/440
D678,260 S * 3/2013 Bau D14/250
D679,279 S * 4/2013 Yang et al. D14/440
D679,715 S * 4/2013 Akana et al. D14/440
8,424,830 B2 * 4/2013 Yang et al. 248/459
D681,641 S * 5/2013 Van Den Nieuwenhuizen
et al. D14/440
D682,836 S * 5/2013 Akana et al. D14/440
D682,838 S * 5/2013 Akana et al. D14/440
D683,141 S * 5/2013 Symons D6/310
D687,438 S * 8/2013 Lu D14/440
D690,305 S * 9/2013 Wen D14/440
D690,702 S * 10/2013 Chung D14/440
D691,142 S * 10/2013 Diebel D14/440
D692,434 S * 10/2013 Kim D14/440
D693,823 S * 11/2013 Chen et al. D14/440
D695,296 S * 12/2013 Hsu D14/440
D696,253 S * 12/2013 Akana et al. D14/345
D696,256 S * 12/2013 Piedra et al. D14/440
D696,669 S * 12/2013 Akana et al. D14/440
8,640,864 B2 * 2/2014 Chen et al. 206/45.2
8,644,893 B2 * 2/2014 Liang 455/575.1
8,657,112 B2 * 2/2014 Igarashi 206/320
D701,205 S * 3/2014 Akana et al. D14/345
D702,673 S * 4/2014 Murchison et al. D14/250
D704,689 S * 5/2014 Chang D14/250
D704,693 S * 5/2014 Kim D14/250
D706,270 S * 6/2014 Akana et al. D14/440
D706,783 S * 6/2014 Almodova D14/440
D707,229 S * 6/2014 Almodova D14/440
8,757,375 B2 * 6/2014 Huang 206/320
D708,838 S * 7/2014 Lee D3/201
8,763,795 B1 * 7/2014 Oten et al. 206/45.23
8,766,921 B2 * 7/2014 Ballagas et al. 345/168
8,773,353 B2 * 7/2014 Wei 345/156
8,783,458 B2 * 7/2014 Gallagher et al. 206/320
D710,859 S * 8/2014 Mecchella et al. D14/440
8,797,132 B2 * 8/2014 Childs et al. 335/219
2003/0034263 A1 * 2/2003 D'Hoste 206/320
2008/0302687 A1 * 12/2008 Sirichai et al. 206/320
2009/0159763 A1 * 6/2009 Kim 248/174
2011/0266194 A1 * 11/2011 Bau 206/736
2011/0290687 A1 * 12/2011 Han 206/320
2012/0211377 A1 * 8/2012 Sajid 206/216
2012/0211613 A1 * 8/2012 Yang et al. 248/174
2012/0305413 A1 * 12/2012 Chung 206/45.23
2012/0308981 A1 * 12/2012 Libin et al. 434/362
2013/0015088 A1 * 1/2013 Wu 206/320



2013/0020216	A1*	1/2013	Chiou	206/320
2013/0140203	A1*	6/2013	Chiang	206/320
2013/0213838	A1*	8/2013	Tsai et al.	206/320
2013/0214661	A1*	8/2013	McBroom	312/325
2013/0241381	A1*	9/2013	Hynecek et al.	312/240
2013/0264459	A1*	10/2013	McCosh et al.	248/688

* cited by examiner

Primary Examiner — Cynthia Underwood

(74) *Attorney, Agent, or Firm* — Amin, Turocy & Watson, LLP

(57)

CLAIM

The ornamental design for a compact tablet computer case, as shown and described.

DESCRIPTION

FIG. 1 is a perspective view of a compact tablet computer case, showing the cover laid flat behind the case;
 FIG. 2 is a front elevational view thereof, showing the cover laid flat below the case;
 FIG. 3 is a rear elevational view thereof, showing the cover laid flat below the case;
 FIG. 4 is a right-side elevational view thereof, showing the cover laid flat below the case;
 FIG. 5 is a left-side elevational view thereof, showing the cover laid flat below the case;
 FIG. 6 is a bottom plan view thereof; and,
 FIG. 7 is a top plan view thereof, showing the cover laid flat below the case;
 FIG. 8 is a front elevational view of both the cover and the case of the compact tablet computer case, with the lower portion of the FIG. showing the cover laid flat and separated from the case and the upper portion of the FIG. showing the cover laid flat below the case;

FIG. 9 is a rear elevational view thereof, with the lower portion of the FIG. showing the cover laid flat and separated from the case and the upper portion of the FIG. showing the cover laid flat below the case;
 FIG. 10 is a right-side elevational view thereof, showing the cover laid flat and separated from the case;
 FIG. 11 is a left-side elevational view thereof, showing the cover laid flat and separated from the case;
 FIG. 12 is a bottom plan view thereof at reduced scale, showing the cover laid flat and separated from the case; and,
 FIG. 13 is a top plan view thereof at reduced scale, showing the cover laid flat and separated from the case.
 FIG. 14 is a front view of the cover of the compact tablet computer case, showing the cover laid flat and not showing the case;
 FIG. 15 is a rear elevational view thereof, showing the cover laid flat and not showing the case;
 FIG. 16 is a right-side elevational view thereof, showing the cover laid flat and not showing the case;
 FIG. 17 is a left-side elevational view thereof, showing the cover laid flat and not showing the case;
 FIG. 18 is a bottom plan view thereof, showing the cover laid flat and not showing the case; and,
 FIG. 19 is a top plan view thereof, showing the cover laid flat and not showing the case;
 FIG. 20 is a perspective view of the case, showing the cover folded under the case such that two edges of the cover are visible beneath the case;
 FIG. 21 is a perspective view of the compact tablet computer case in one of the configurations allowed by the multitude of hook and loop fasteners, showing the cover as it appears when folded; and,
 FIG. 22 is a perspective view of the compact tablet computer case in another one of the configurations allowed by the multitude of hook and loop fasteners, showing another view of the cover as it appears when folded.

1 Claim, 22 Drawing Sheets

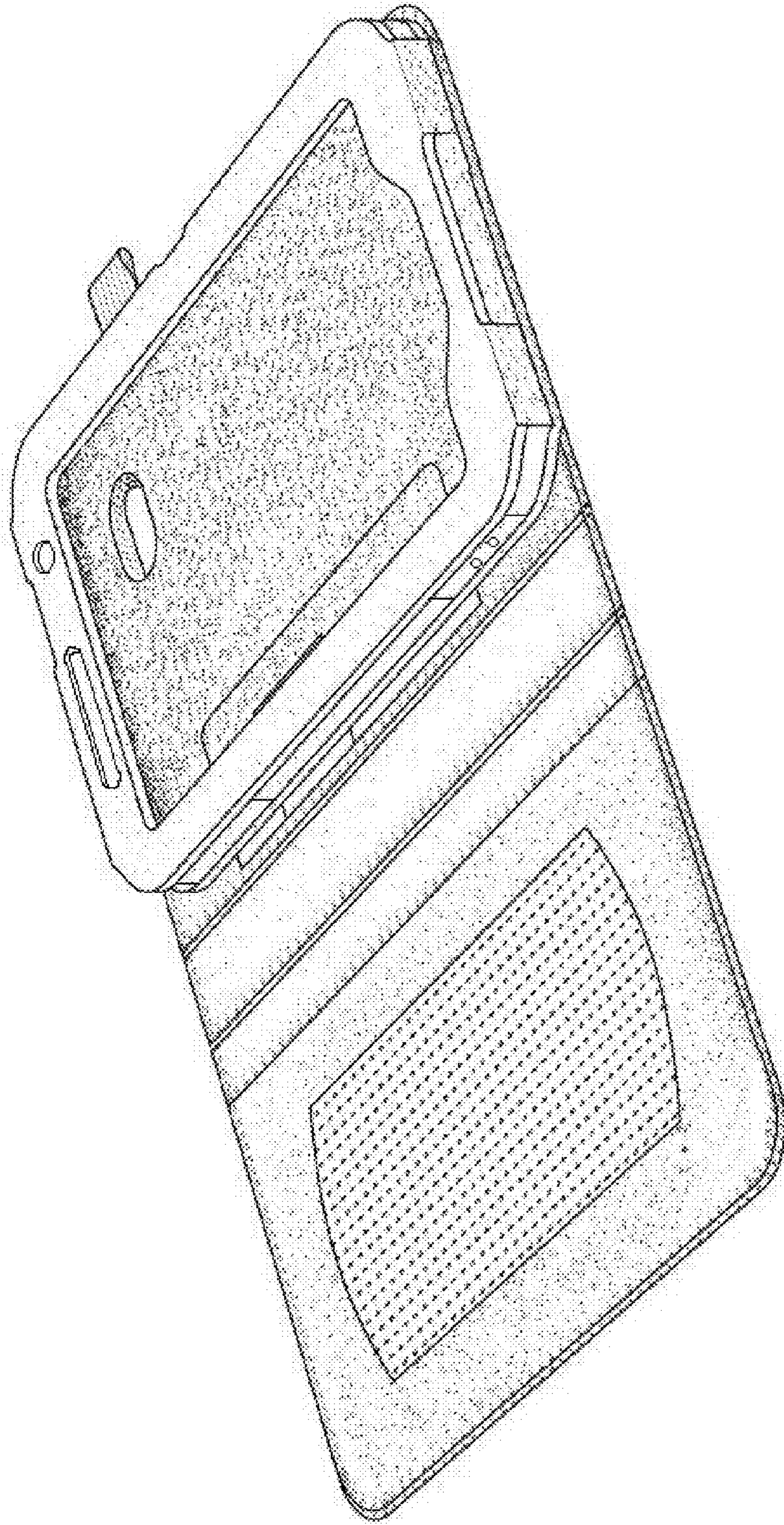


FIG. 1

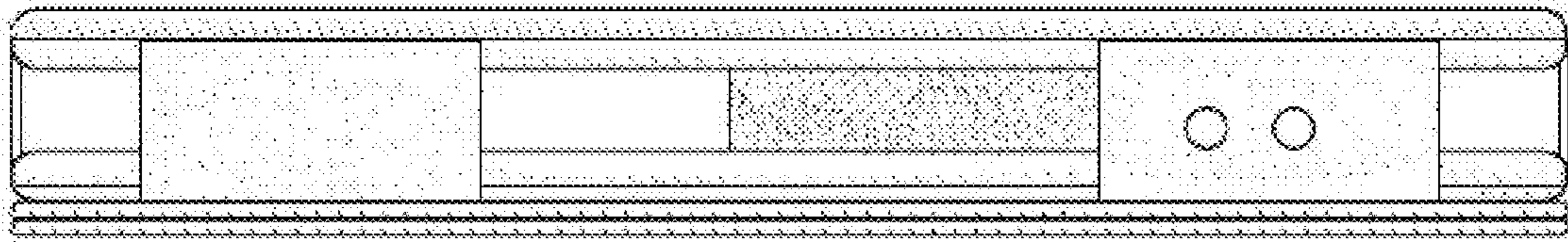


FIG. 2

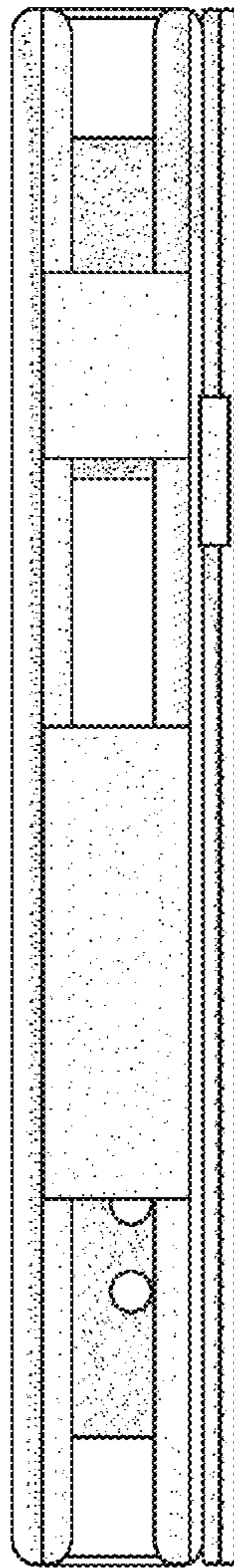


FIG. 3

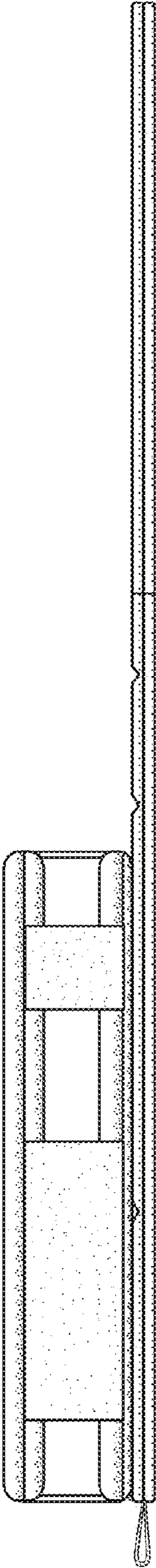


FIG. 4

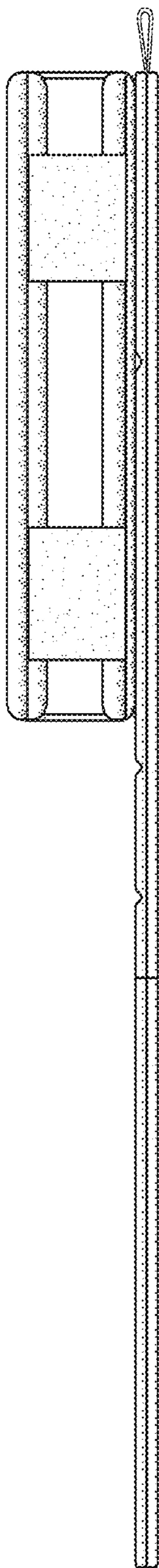


FIG. 5

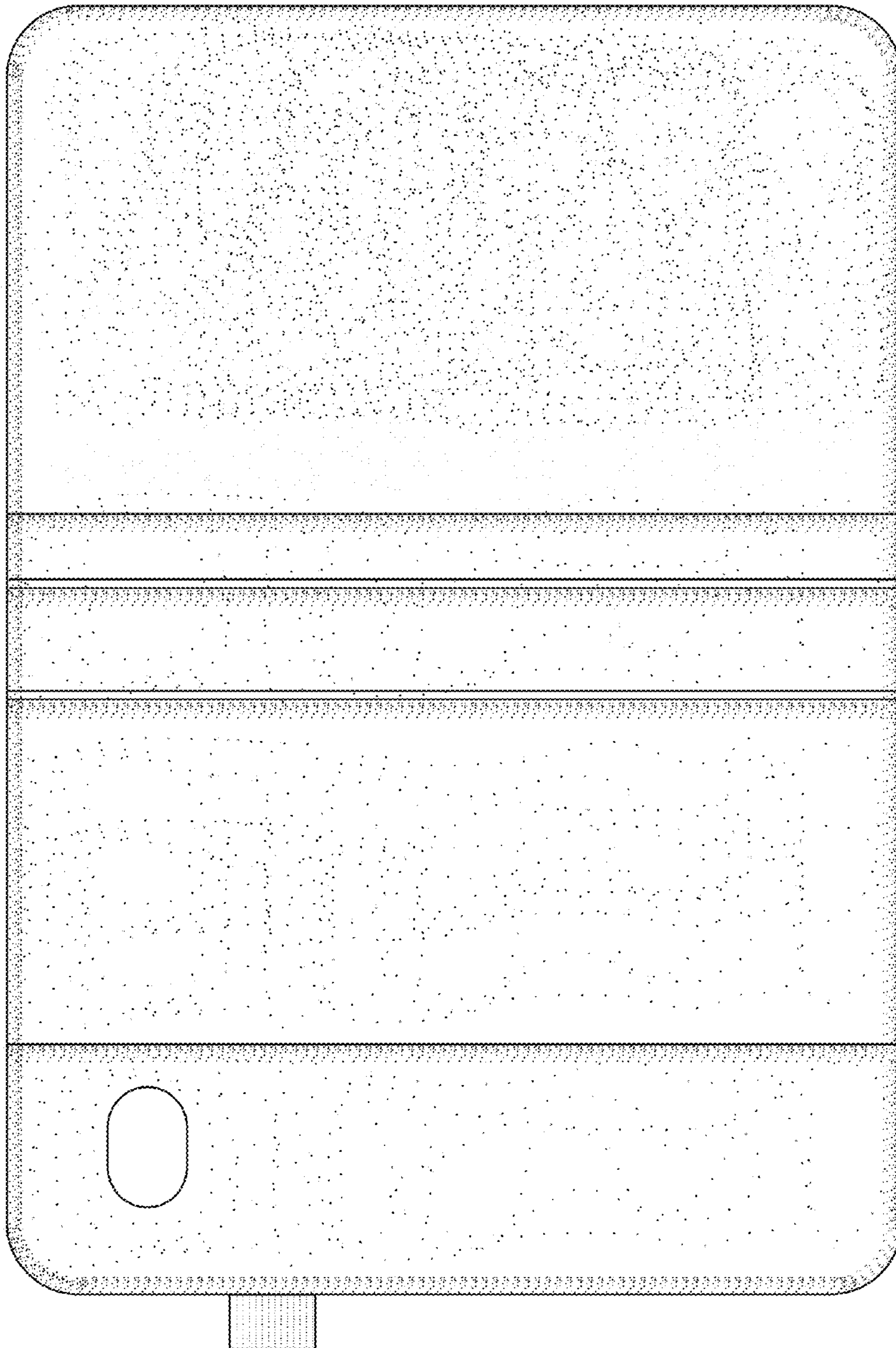


FIG. 6

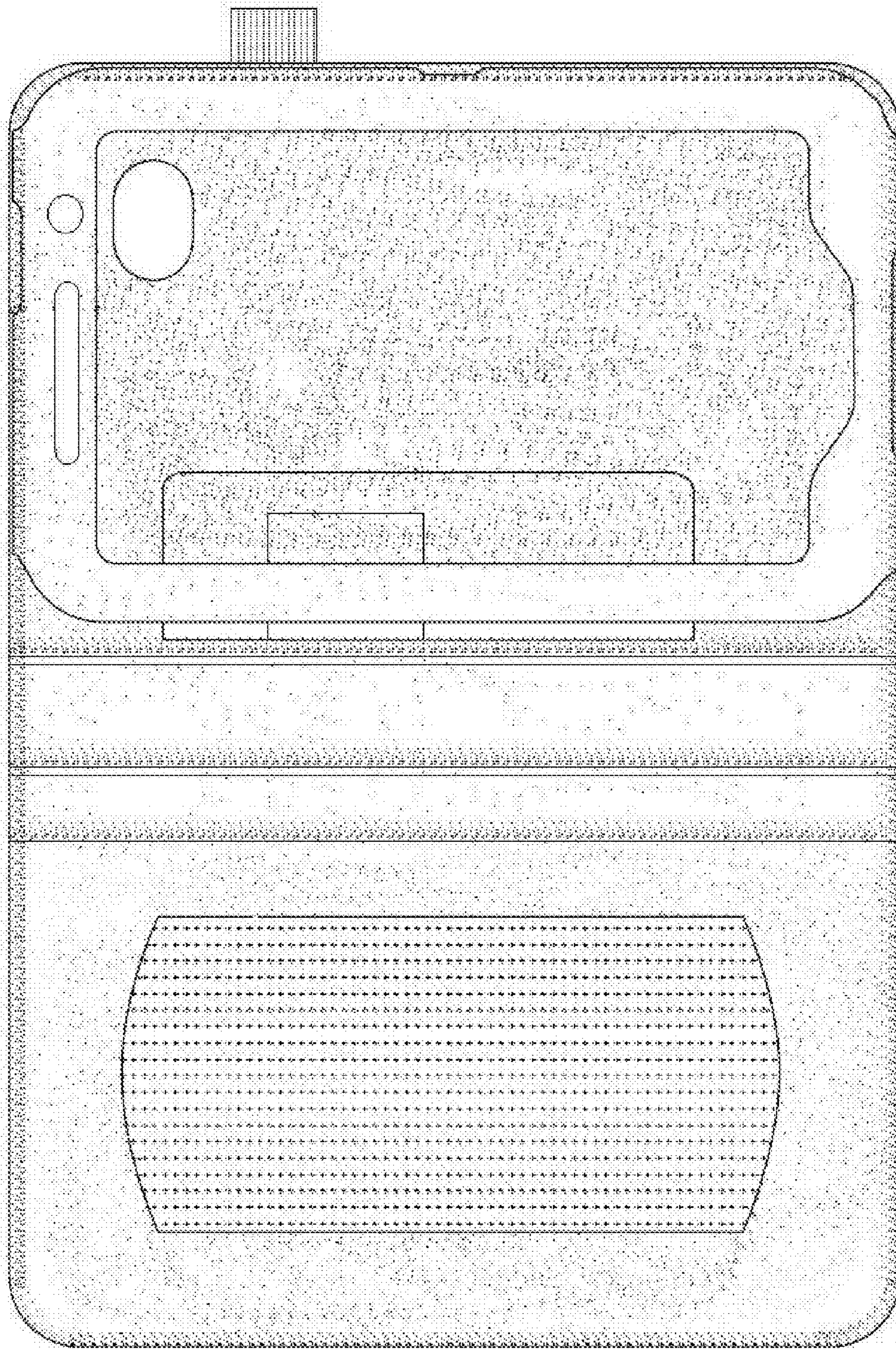


FIG. 7

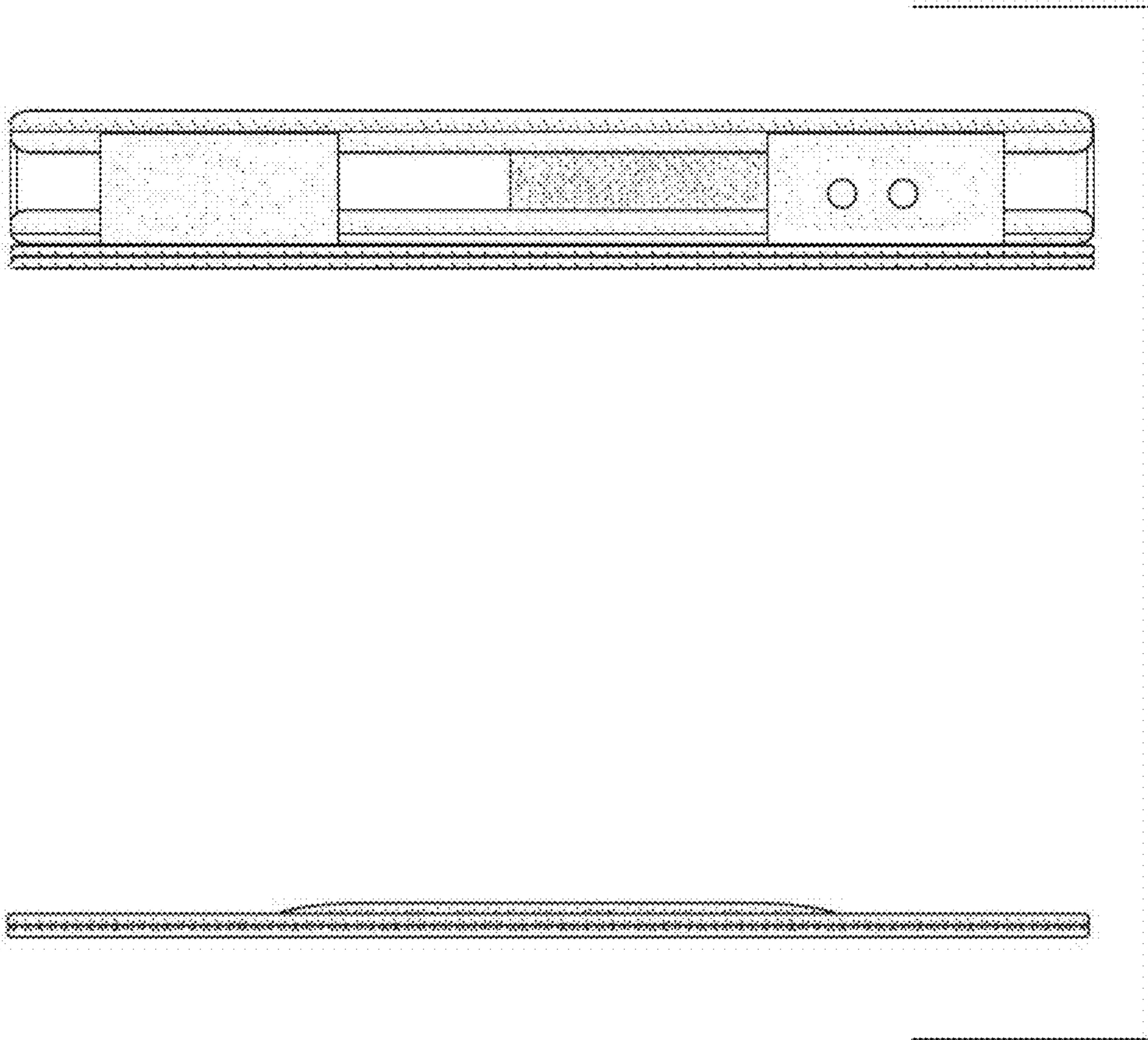


FIG. 8

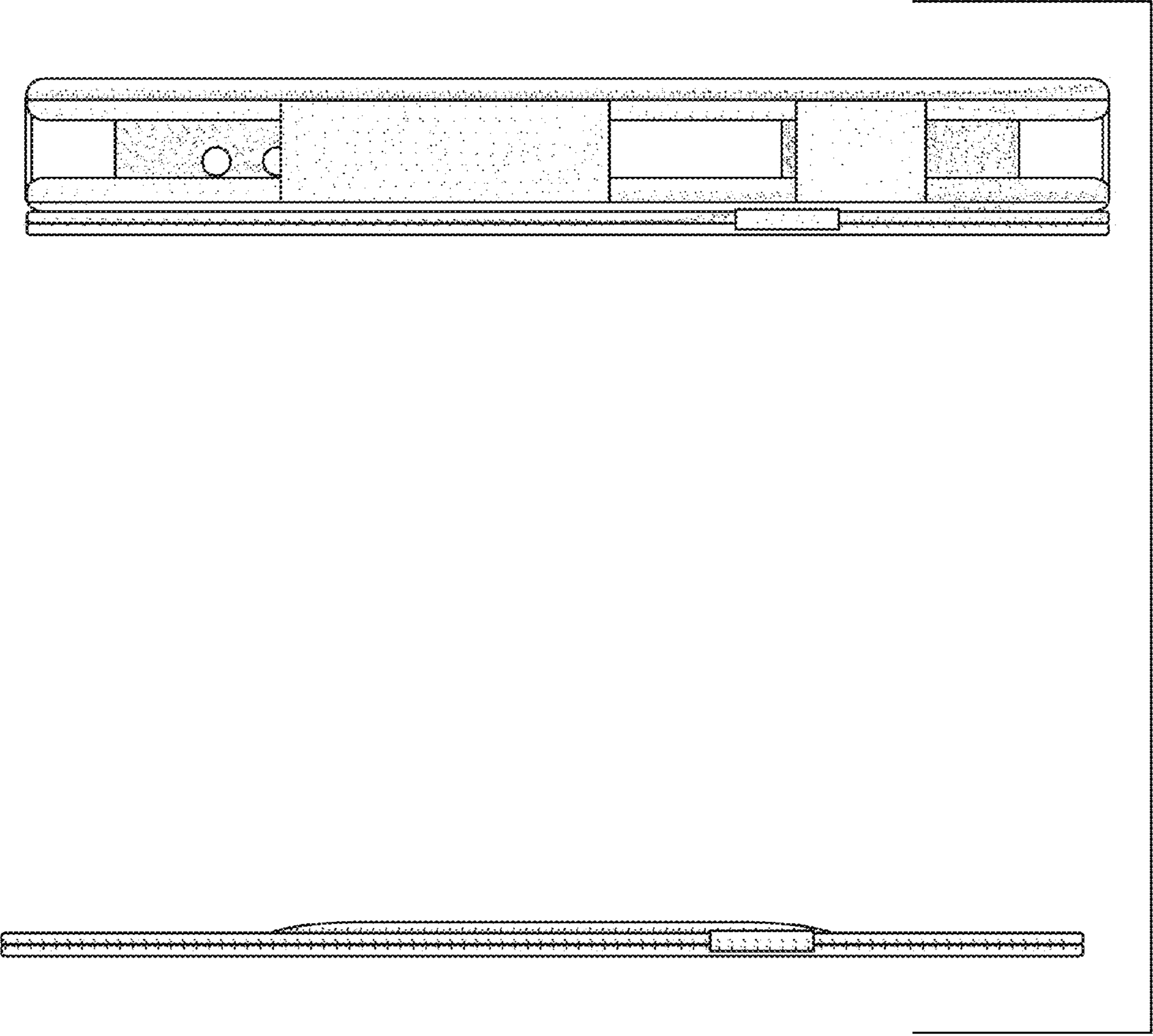


FIG. 9

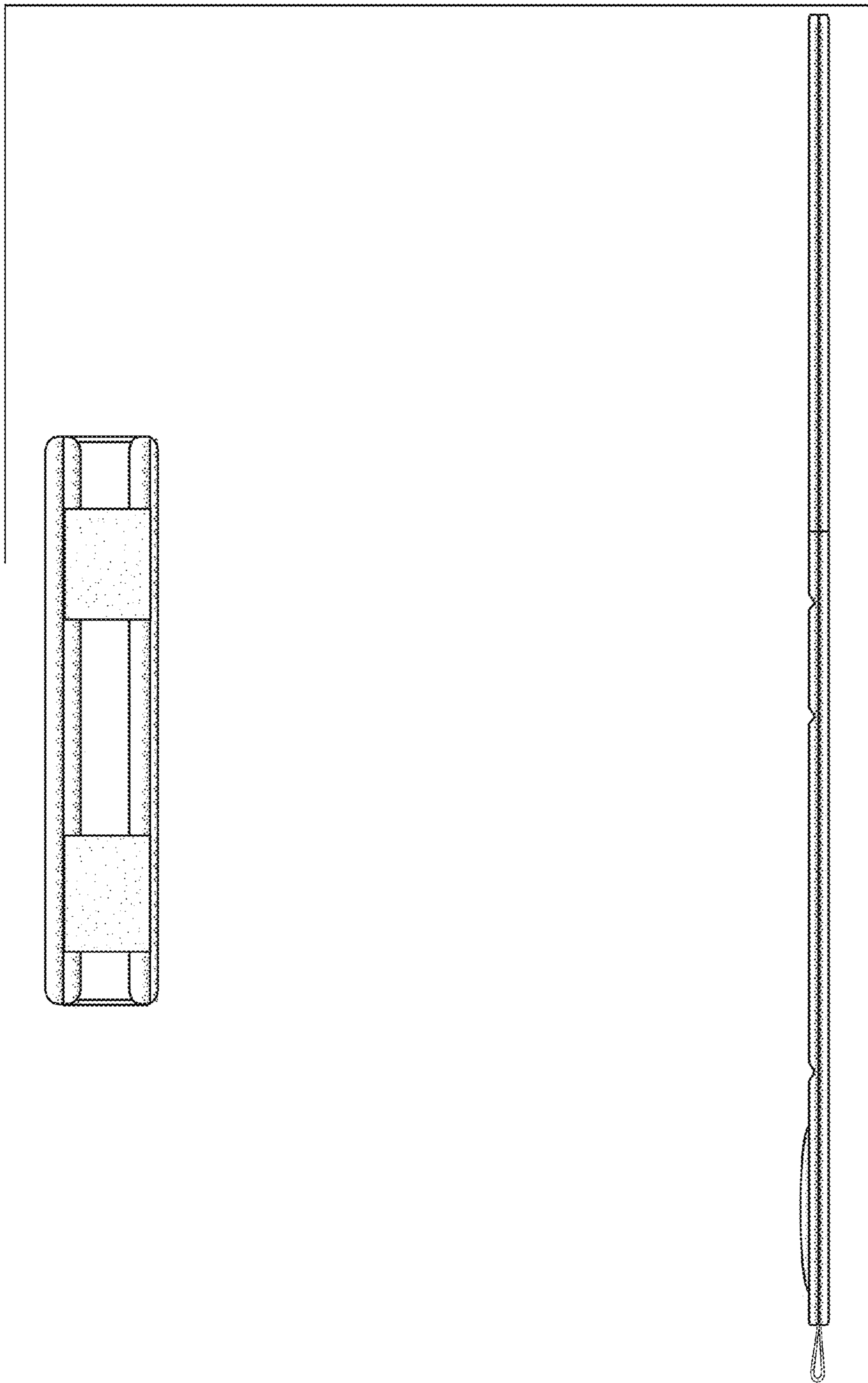


FIG. 10

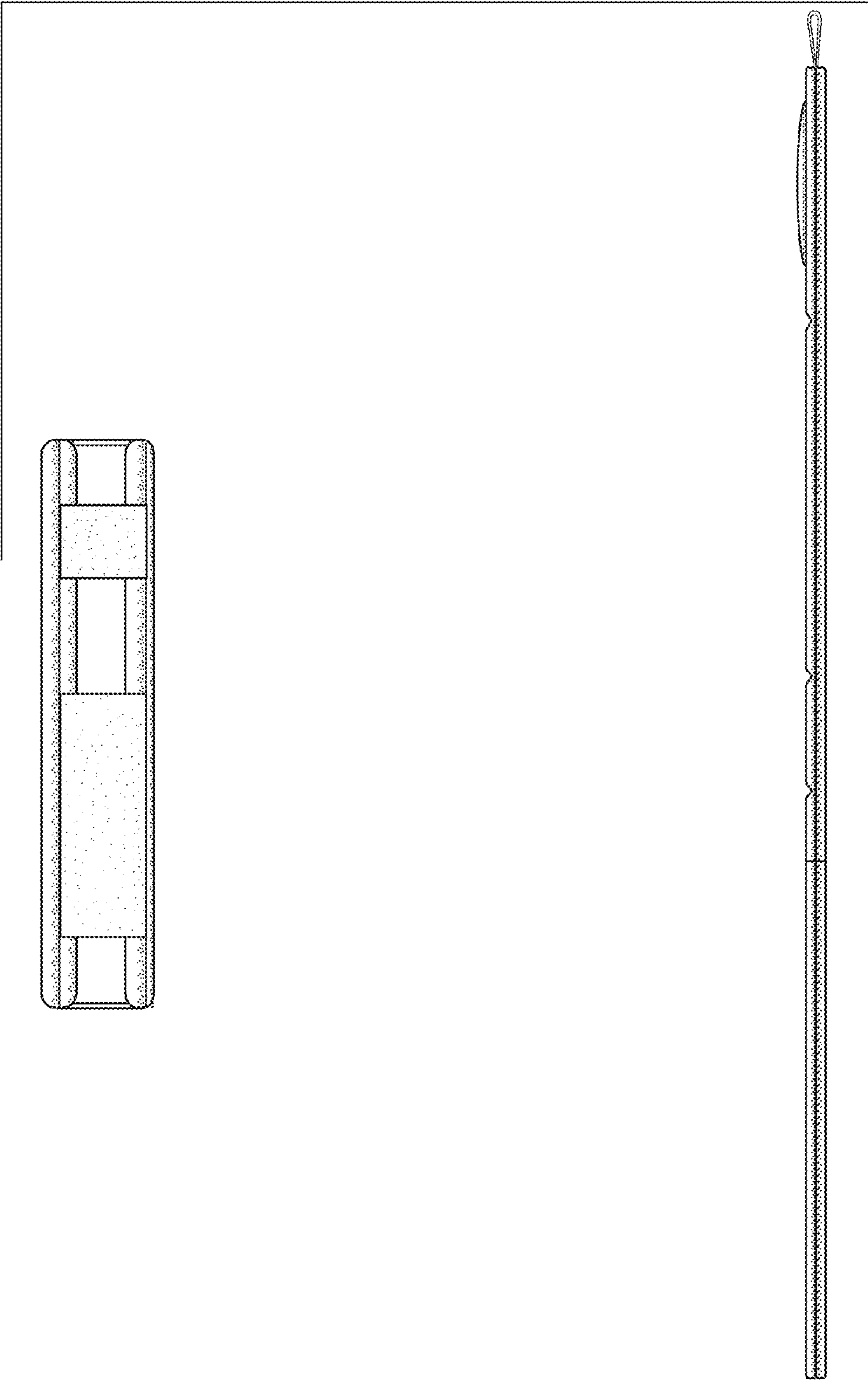


FIG. 11

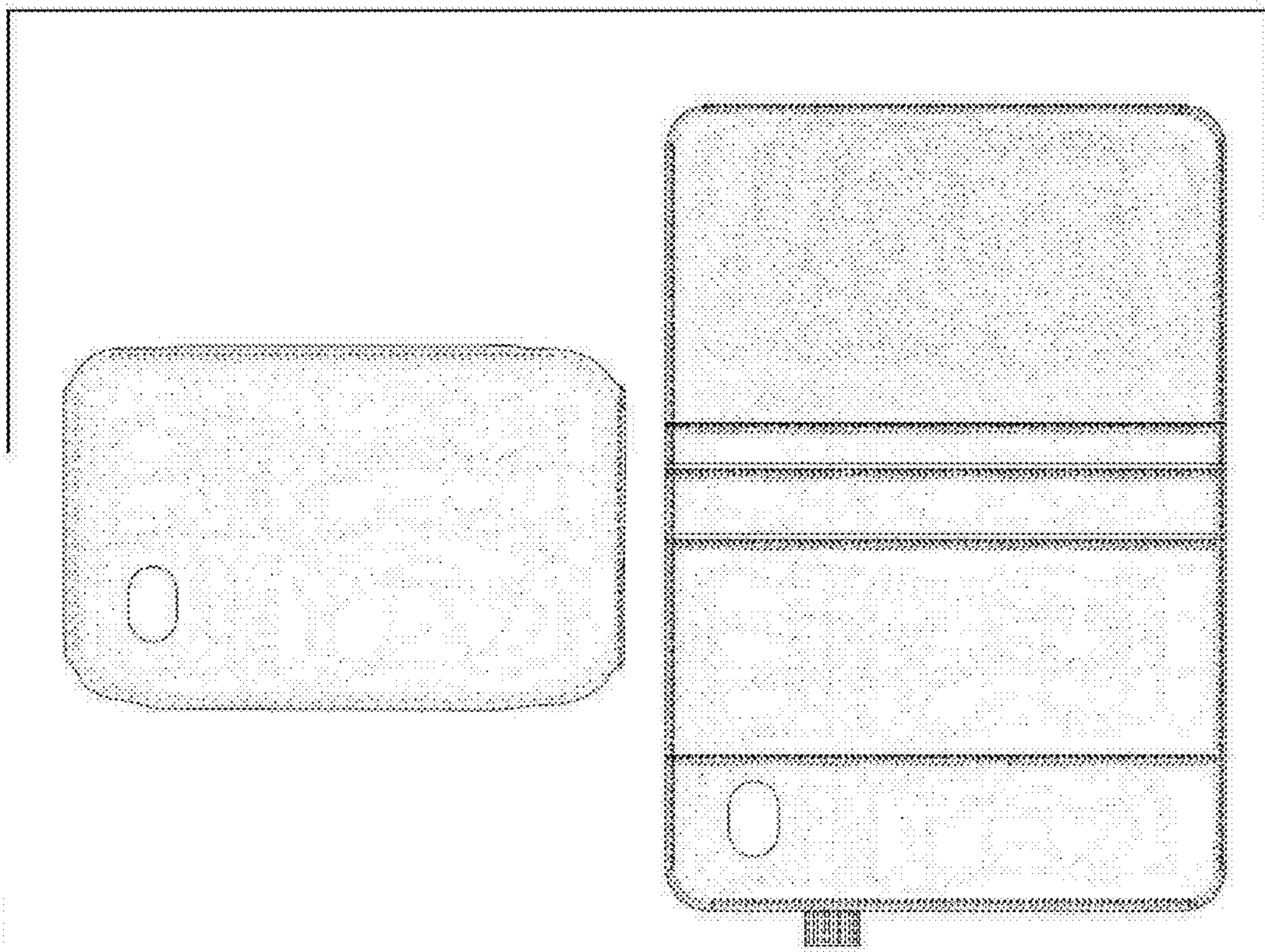


FIG. 12

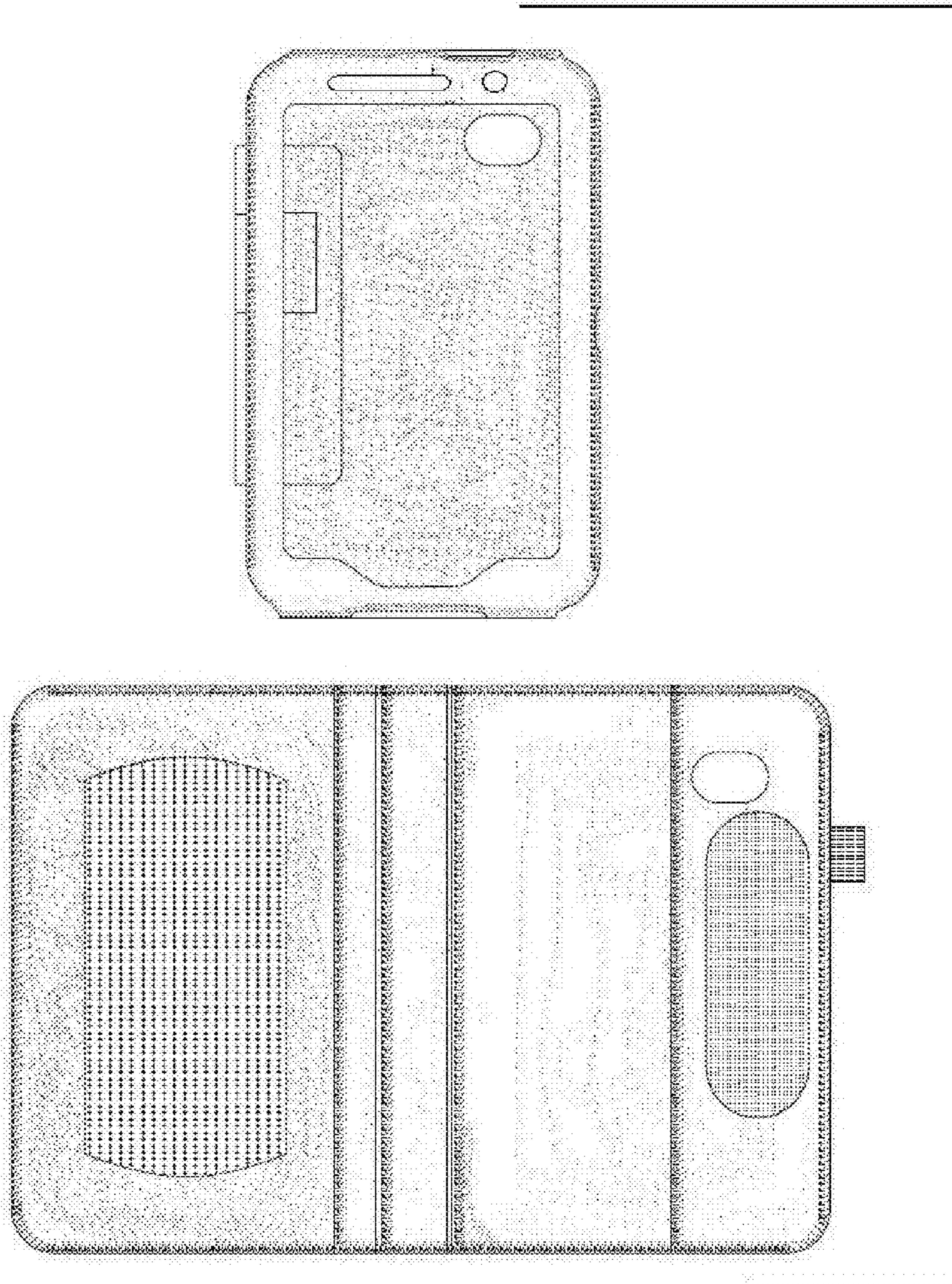


FIG. 13



FIG. 14

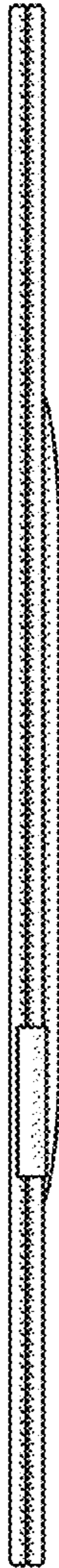


FIG. 15



FIG. 16



FIG. 17

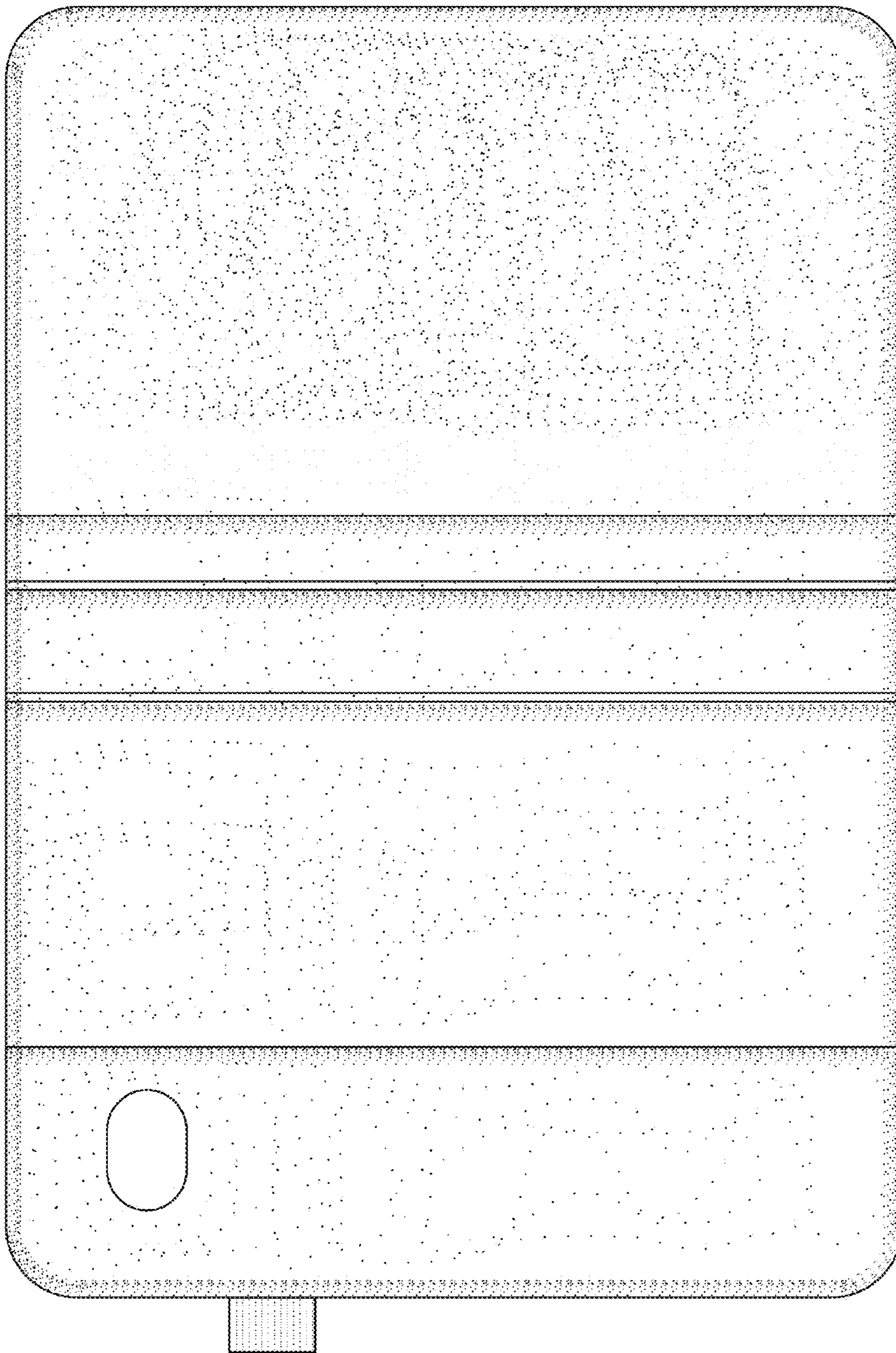


FIG. 18

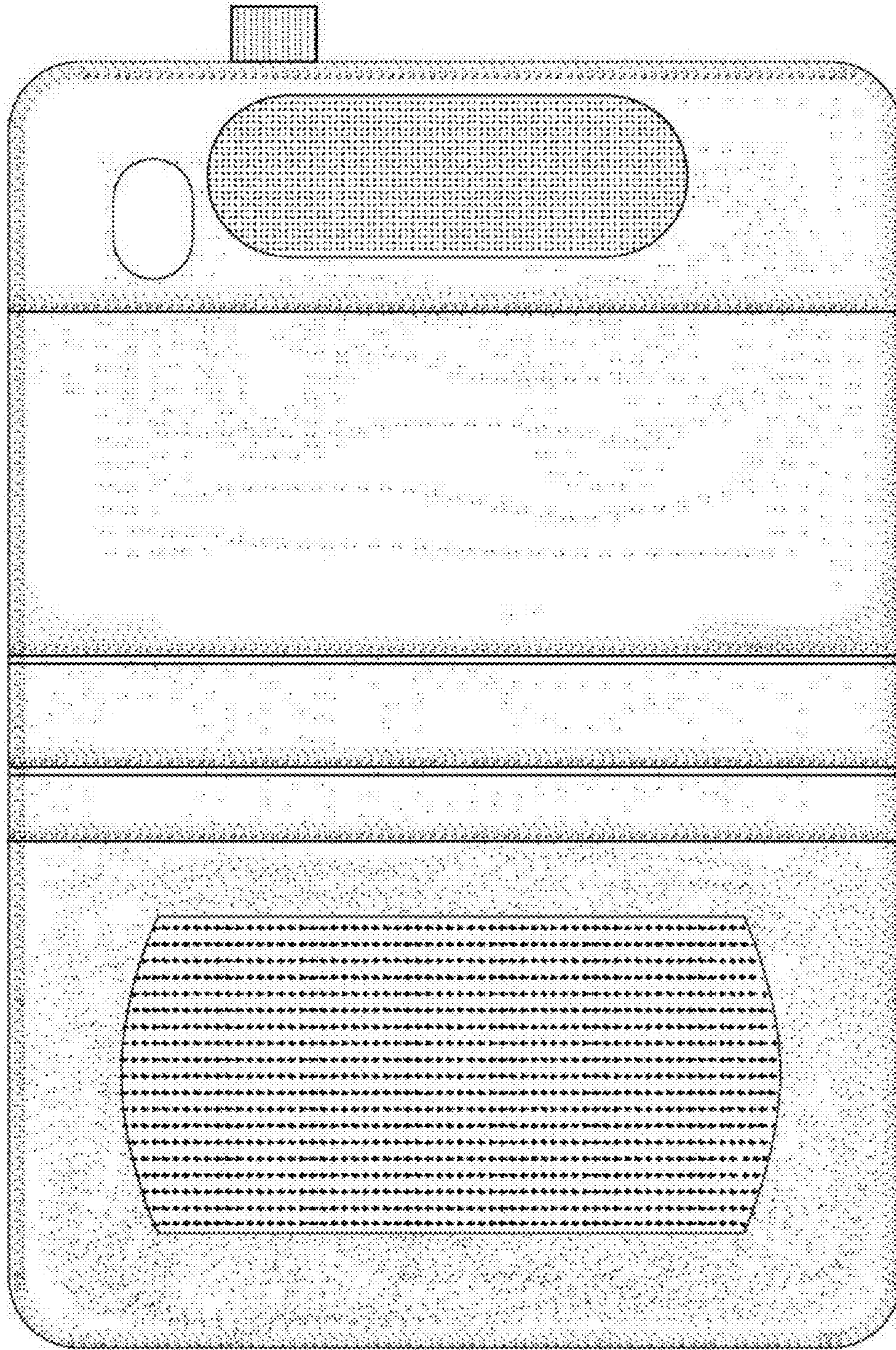


FIG. 19

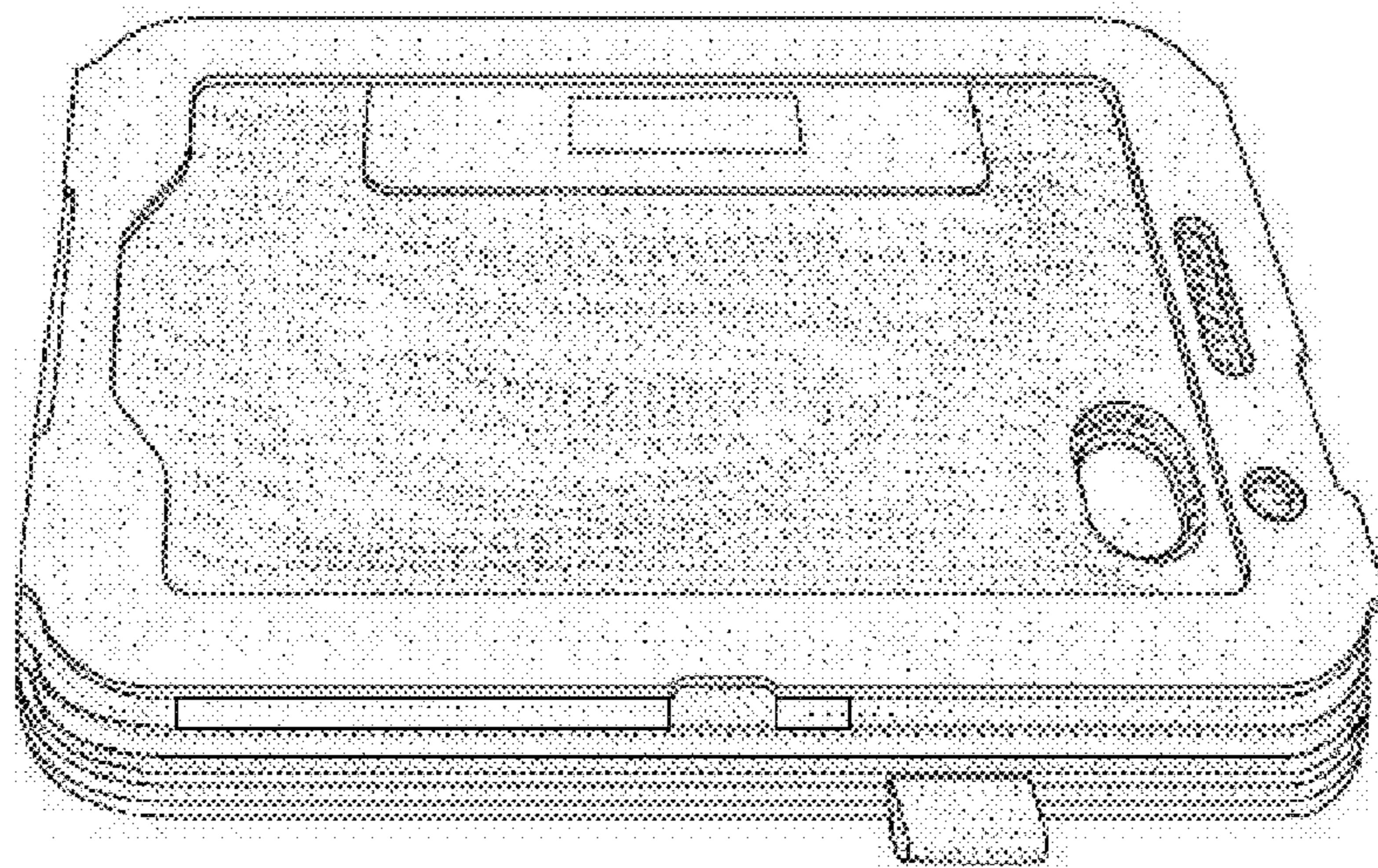


FIG. 20

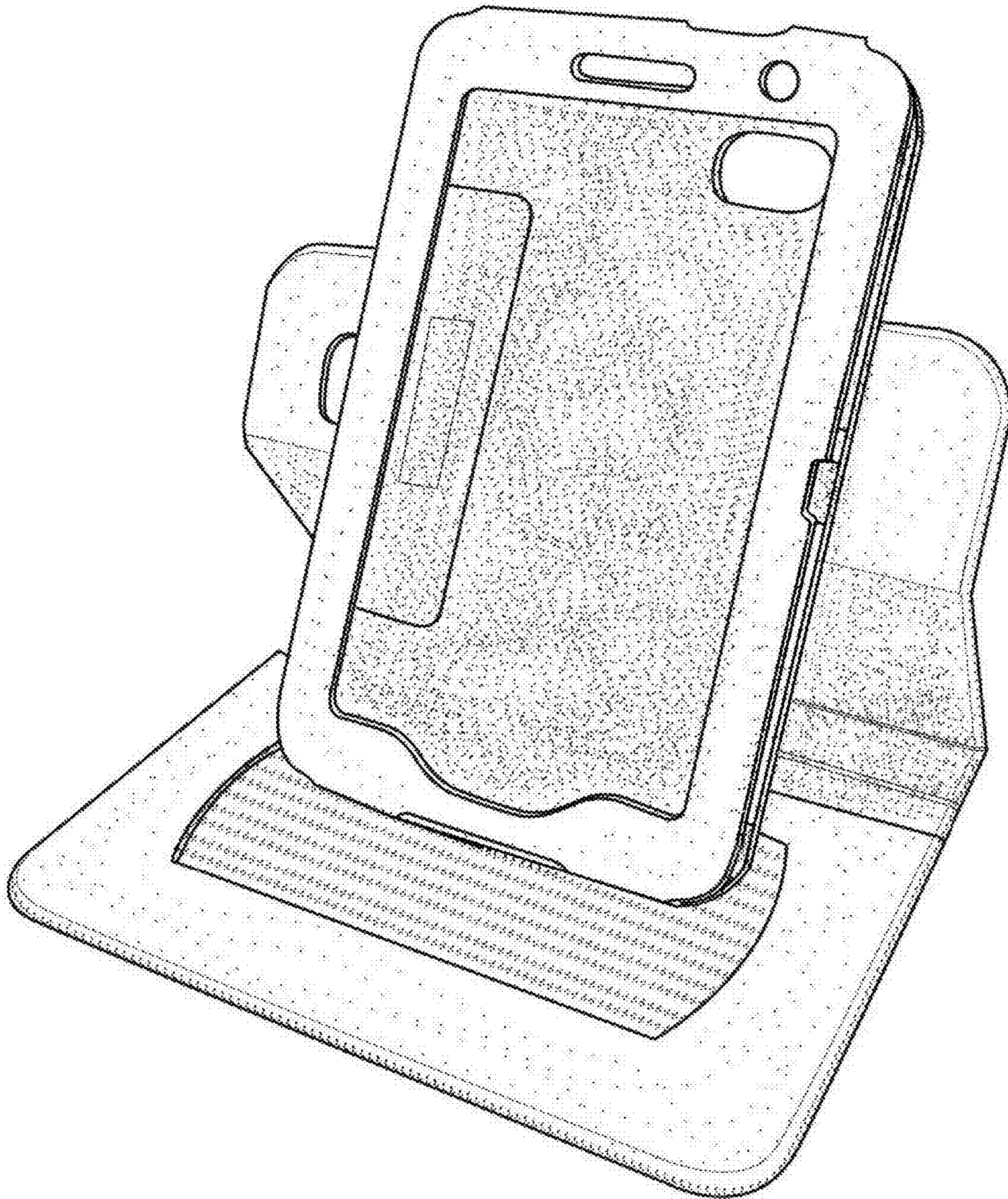


FIG. 21

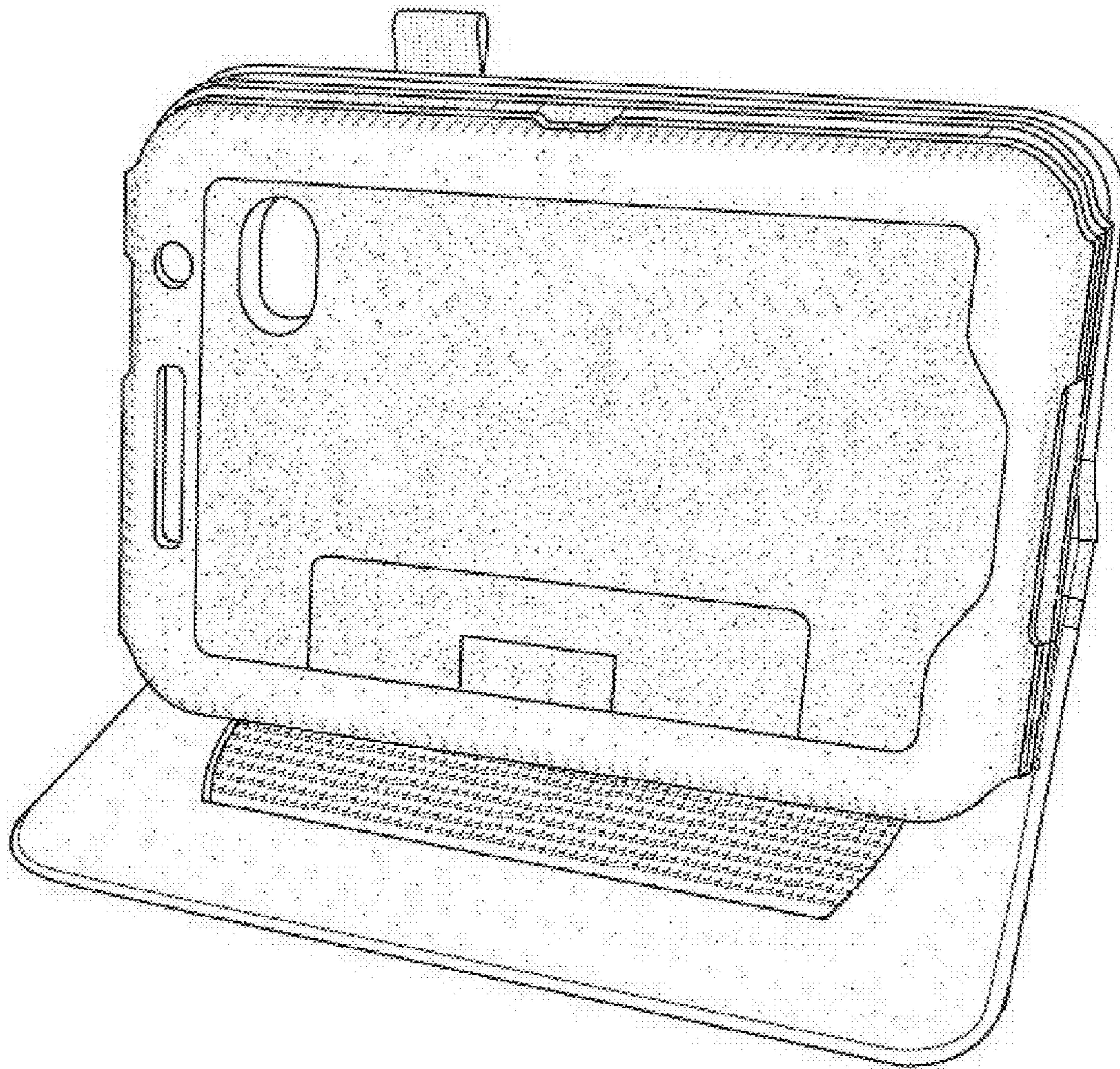


FIG. 22