



US00D741866S

(12) **United States Design Patent**  
**Ballout**

(10) **Patent No.:** **US D741,866 S**

(45) **Date of Patent:** **\*\* Oct. 27, 2015**

(54) **ELECTRONIC DEVICE STAND WITH CAMERA, SPEAKERS AND MICROPHONE**

D667,012 S \* 9/2012 Chen et al. .... D14/447  
D707,624 S \* 6/2014 Morrison et al. .... D13/108

\* cited by examiner

(71) Applicant: **Rabih Ballout**, Burlingame, CA (US)

*Primary Examiner* — Ian Simmons

(72) Inventor: **Rabih Ballout**, Burlingame, CA (US)

*Assistant Examiner* — Harold Blackwell, II

(\*\*) Term: **14 Years**

(74) *Attorney, Agent, or Firm* — QuickPatents; Kevin Prince

(21) Appl. No.: **29/445,873**

(57) **CLAIM**

I claim the ornamental design for a electronic device stand with camera, speakers and microphone, as shown and described.

(22) Filed: **Feb. 18, 2013**

(51) **LOC (10) Cl.** ..... **14-02**

(52) **U.S. Cl.**

USPC ..... **D14/434**

(58) **Field of Classification Search**

USPC ..... D14/432-434, 447, 314, 204, 217;  
D13/107, 108, 110, 146; D23/314,  
D23/328; 248/346.03; 361/679.41, 679.31,  
361/679.32, 679.4, 679.43; 70/58;  
D21/330, 333; 320/114; 348/375, 376

CPC ..... H02J 7/0044

See application file for complete search history.

**DESCRIPTION**

FIG. 1 is a perspective view of a electronic device stand with camera, speakers and microphone, showing my new design; FIG. 2 is a bottom plan view of FIG. 1; FIG. 3 is a top plan view of FIG. 1; FIG. 4 is a left-side elevational view of FIG. 1; FIG. 5 is a right-side elevational view of FIG. 1; FIG. 6 is a front elevational view of FIG. 1; FIG. 7 is a rear elevational view of FIG. 1; FIG. 8 is a perspective view, shown in an alternative position thereof;

FIG. 9 is a left-side elevational view of FIG. 8; and, FIG. 10 is a right-side elevational view of FIG. 8.

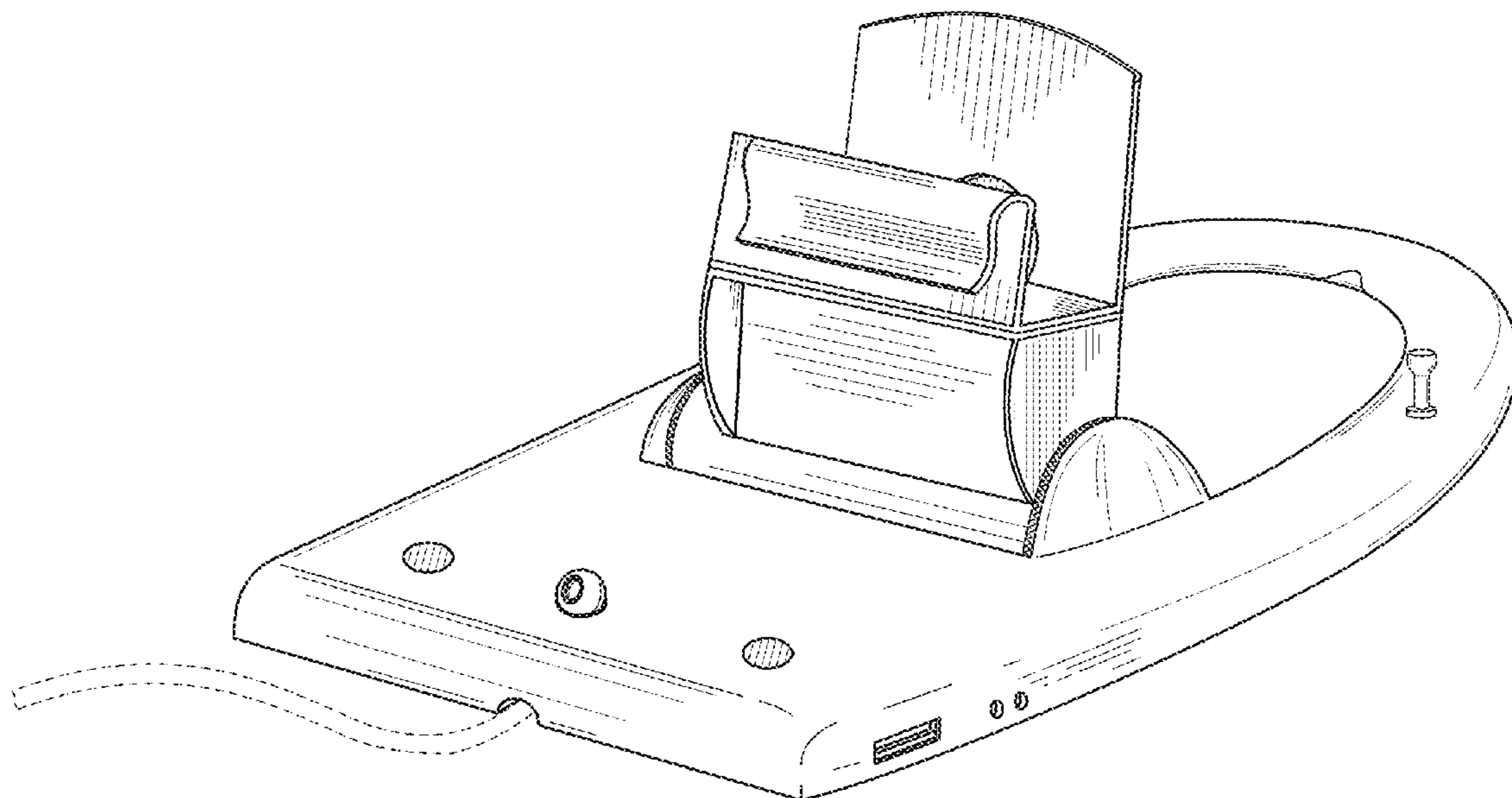
The broken lines illustrate portions of the electronic device stand with camera, speakers and microphone which form no part of the claimed design.

(56) **References Cited**

**U.S. PATENT DOCUMENTS**

D627,785 S \* 11/2010 Bouthillier ..... D14/434  
D635,918 S \* 4/2011 Le et al. .... D13/108  
D645,847 S \* 9/2011 Chau ..... D14/217

**1 Claim, 6 Drawing Sheets**



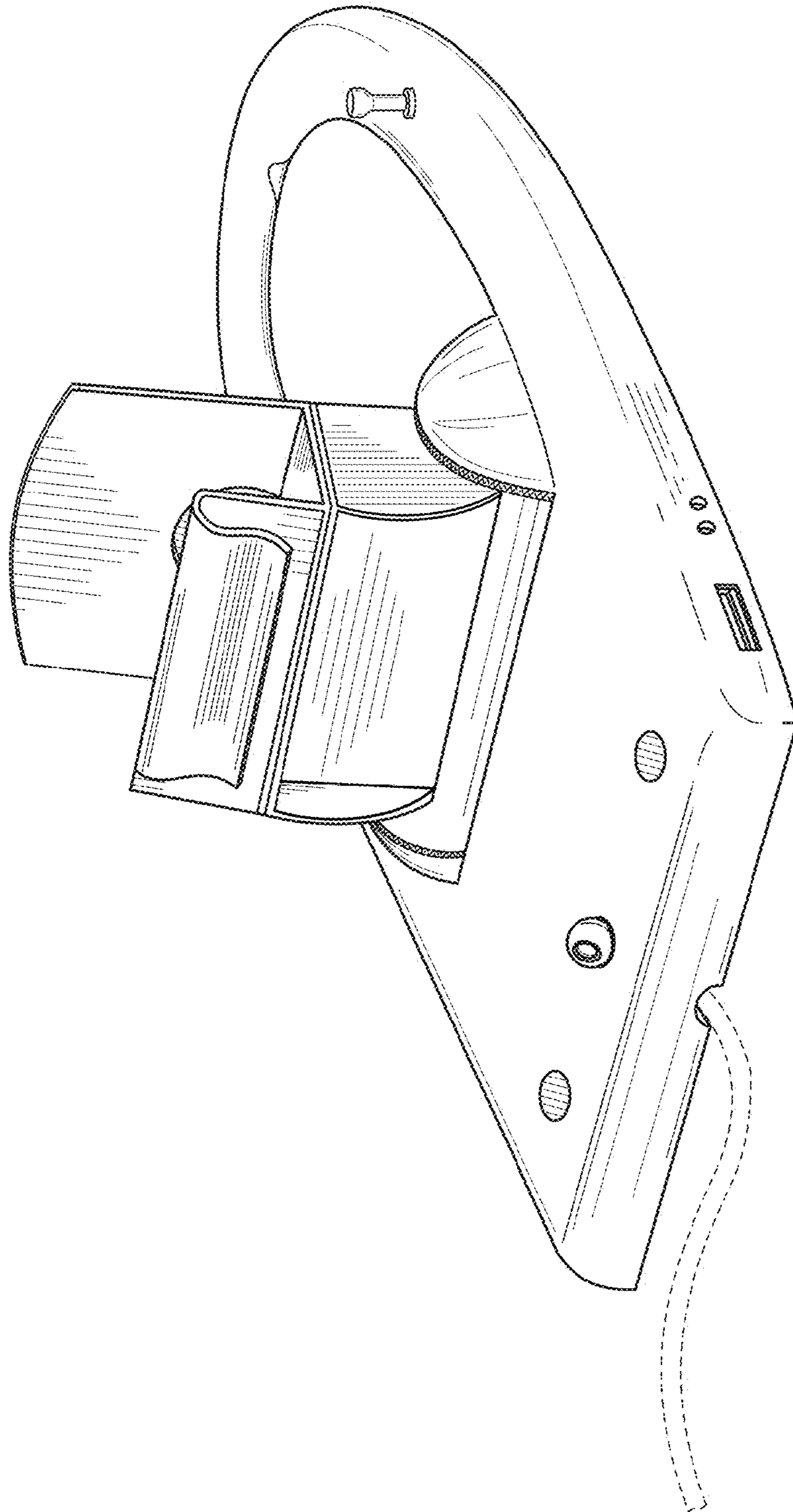


FIG. 1

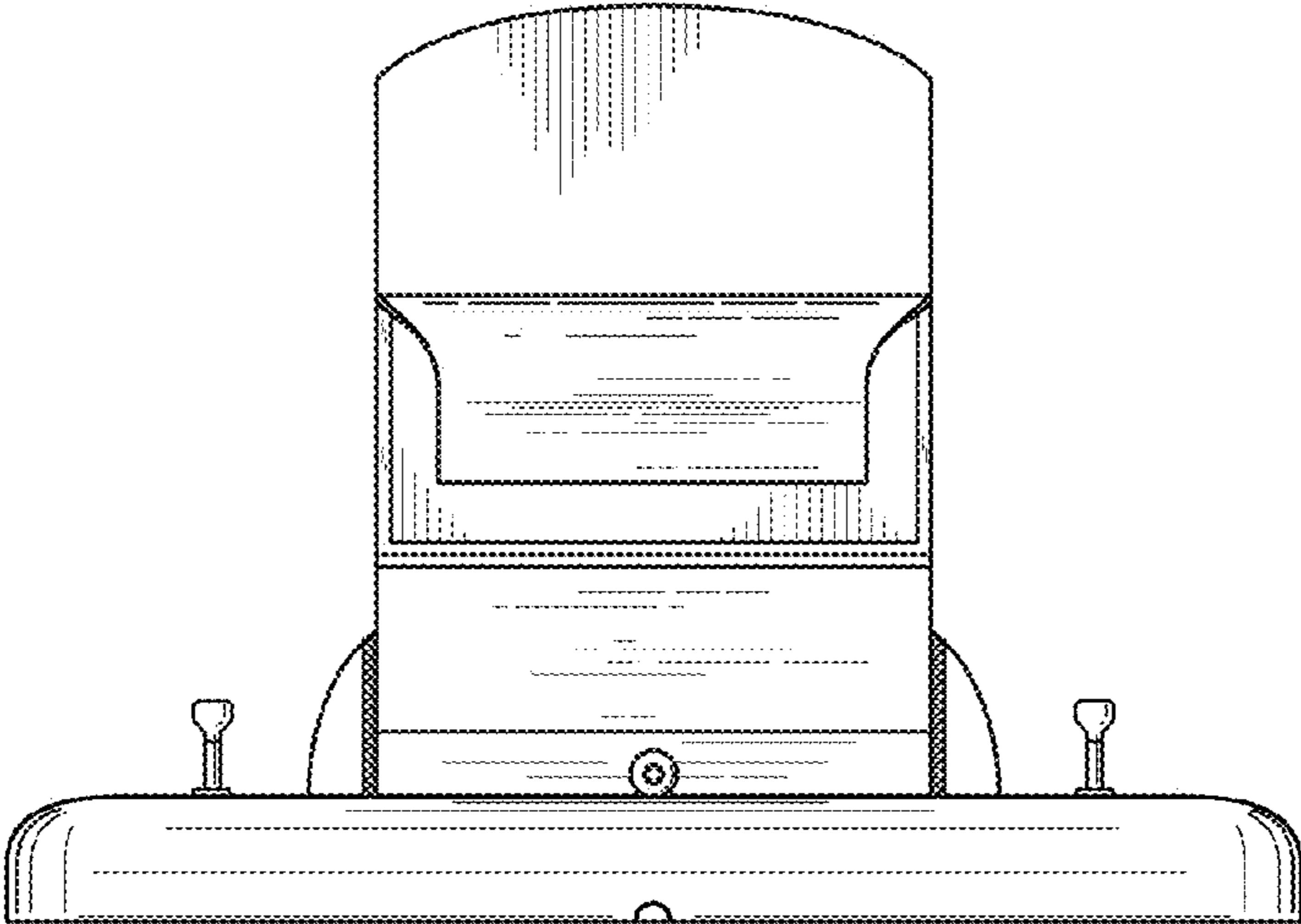


FIG. 2

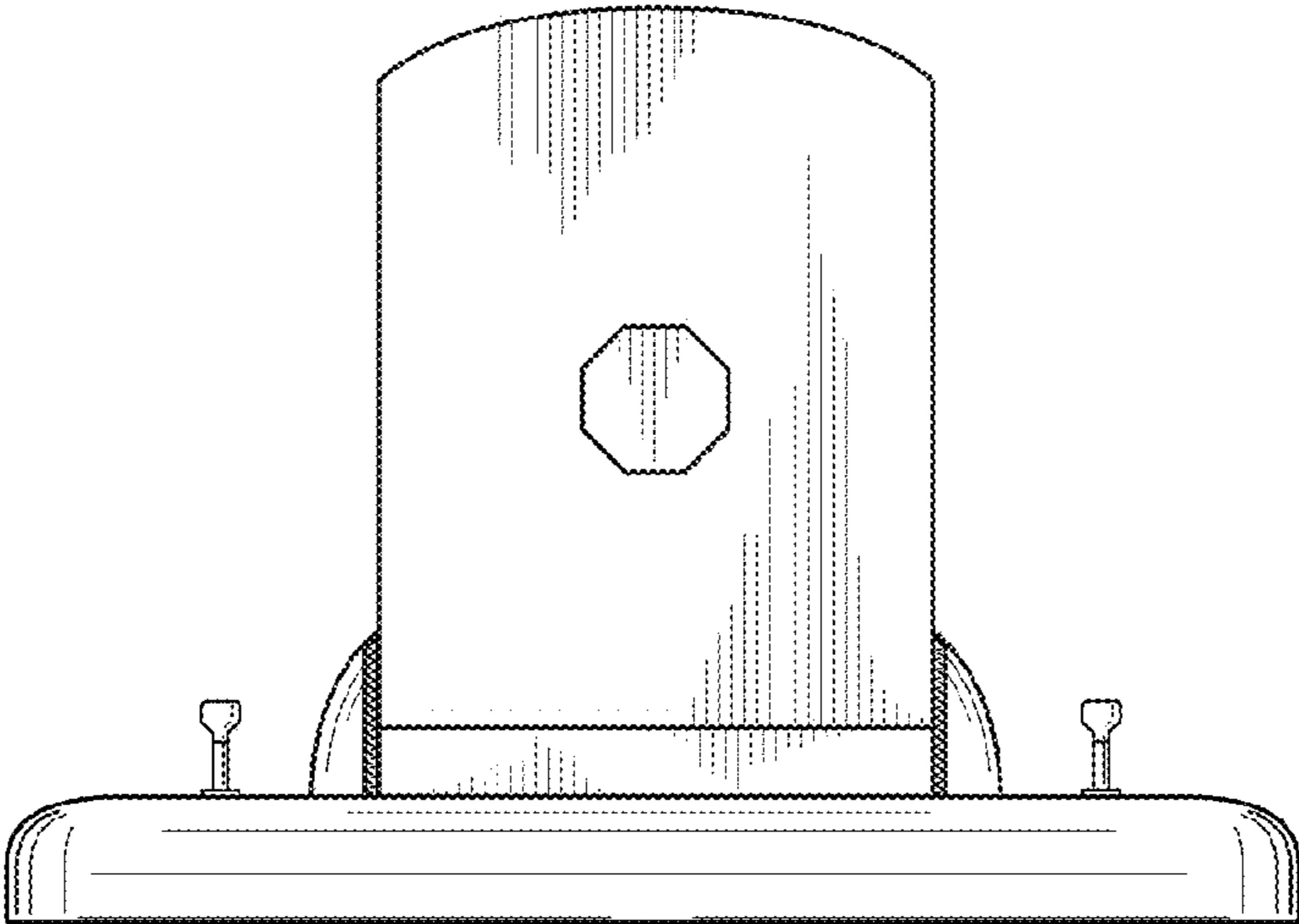


FIG. 3

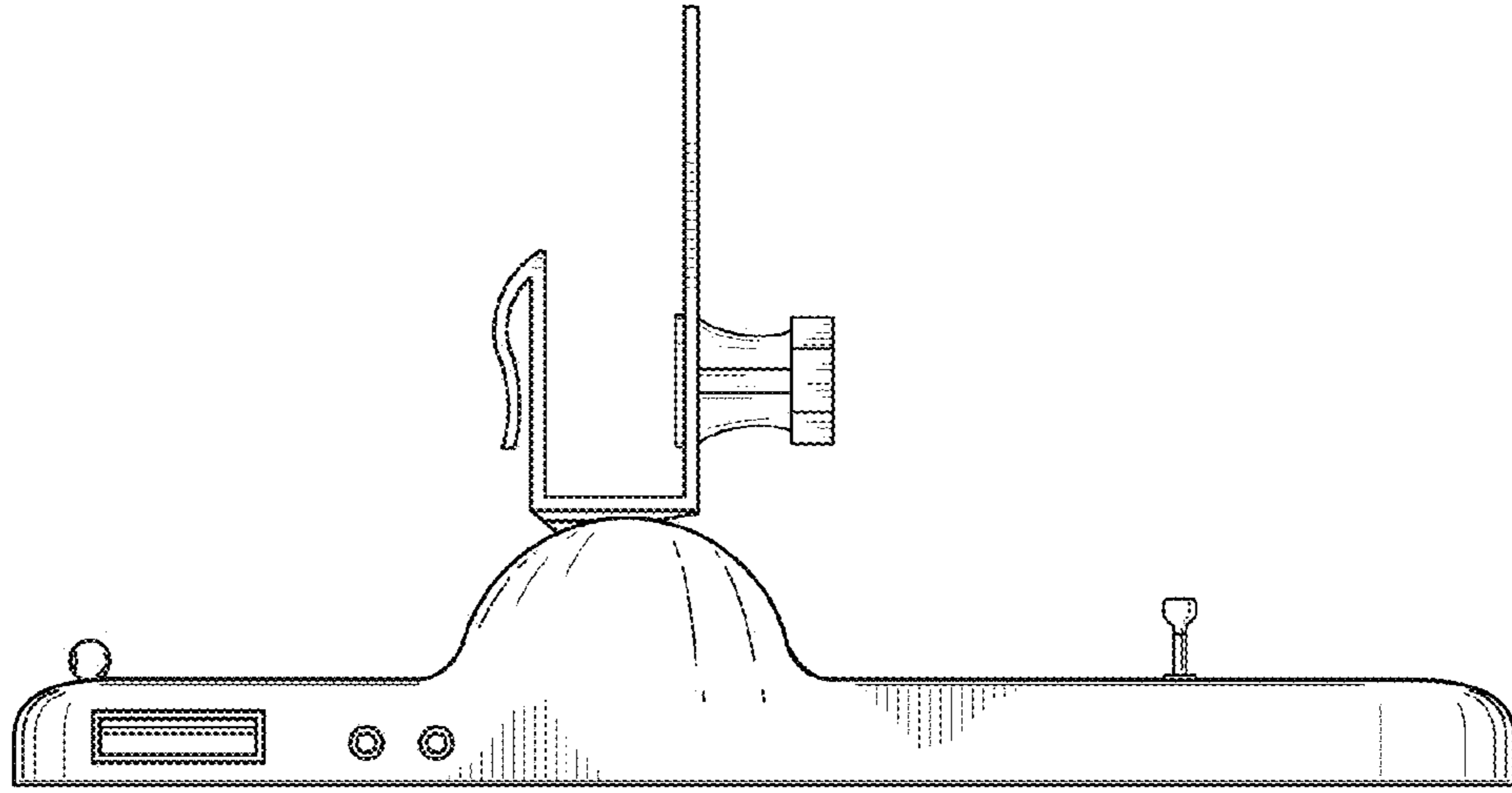


FIG. 4

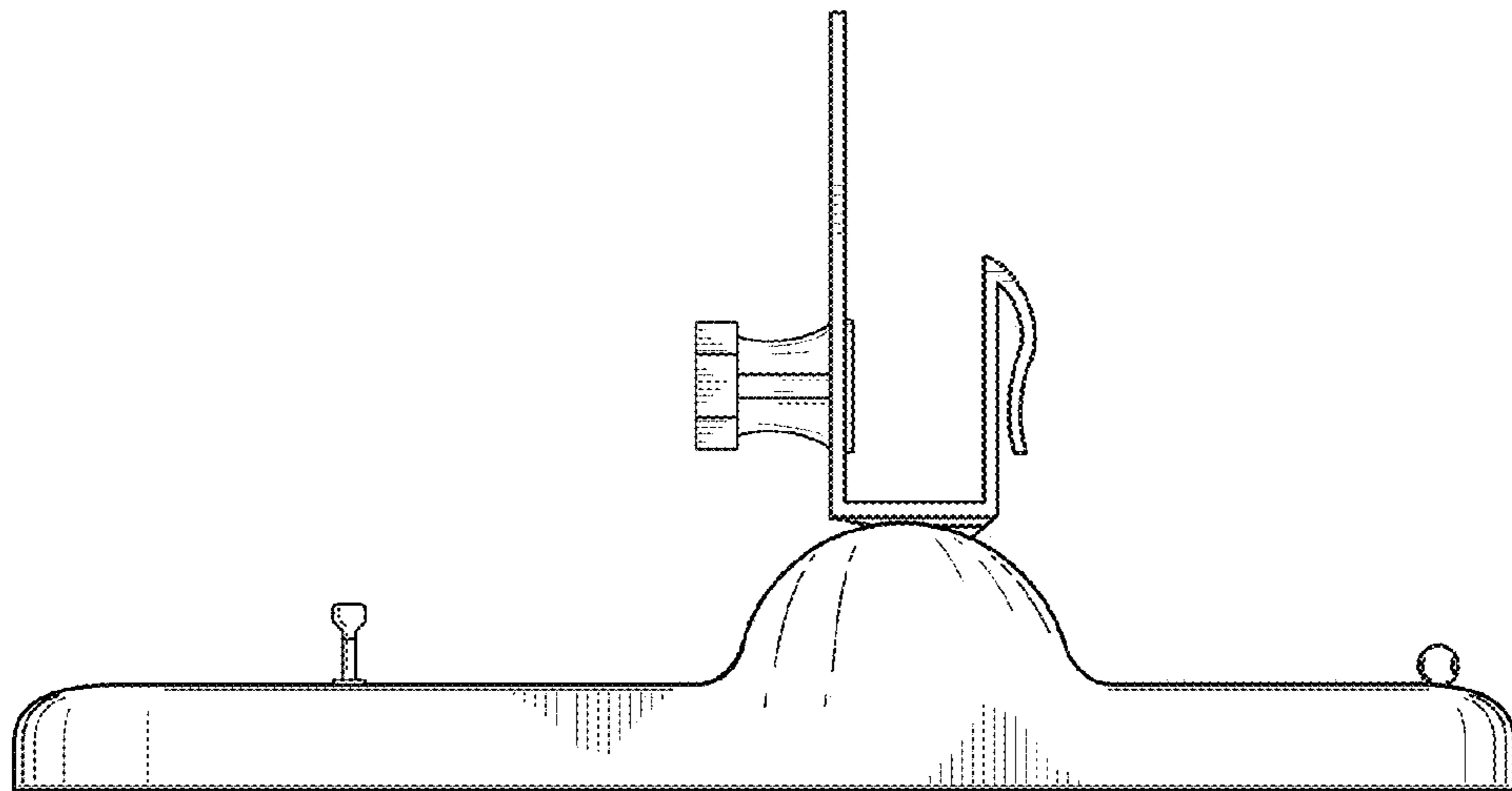


FIG. 5

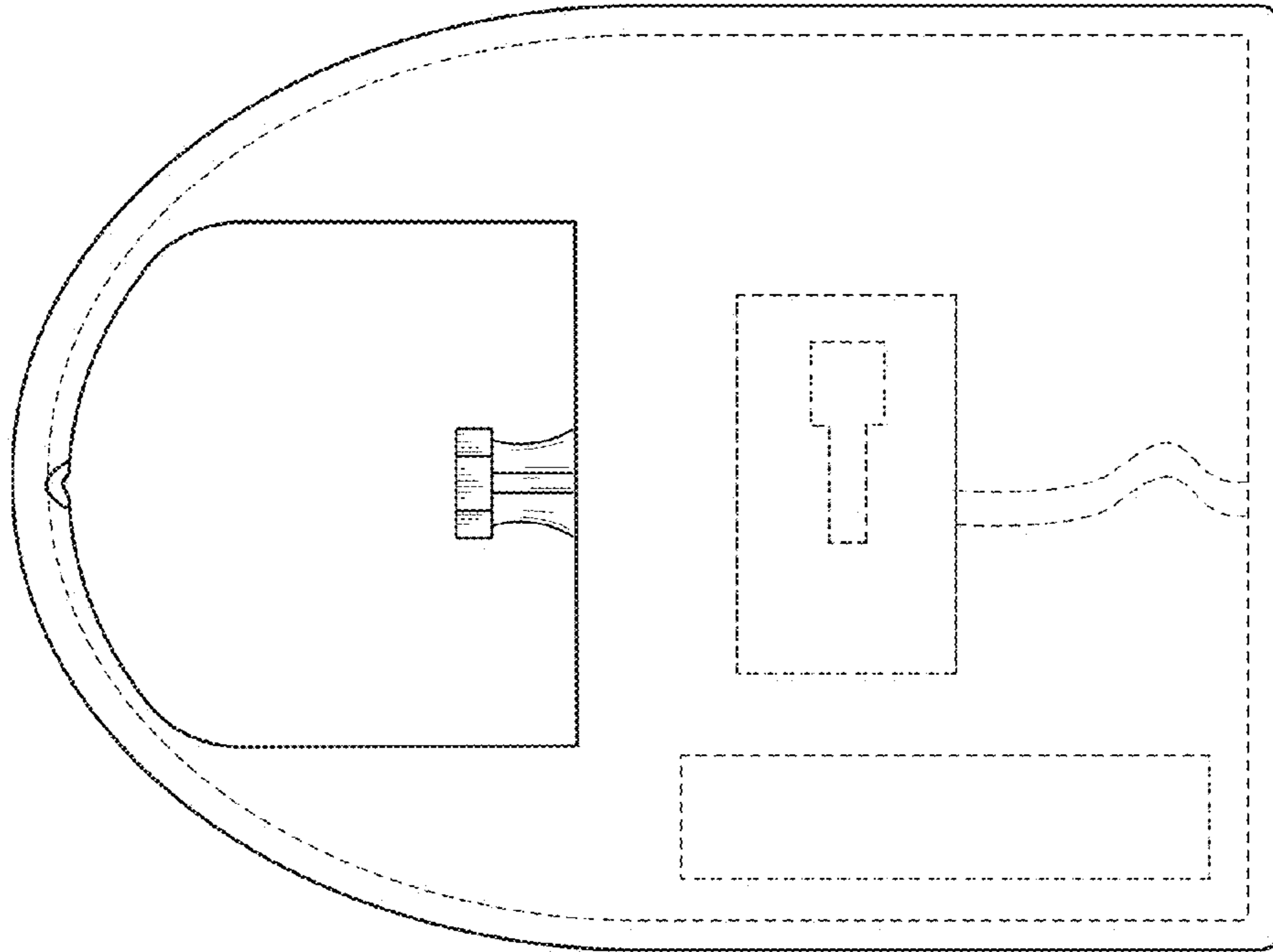


FIG. 7

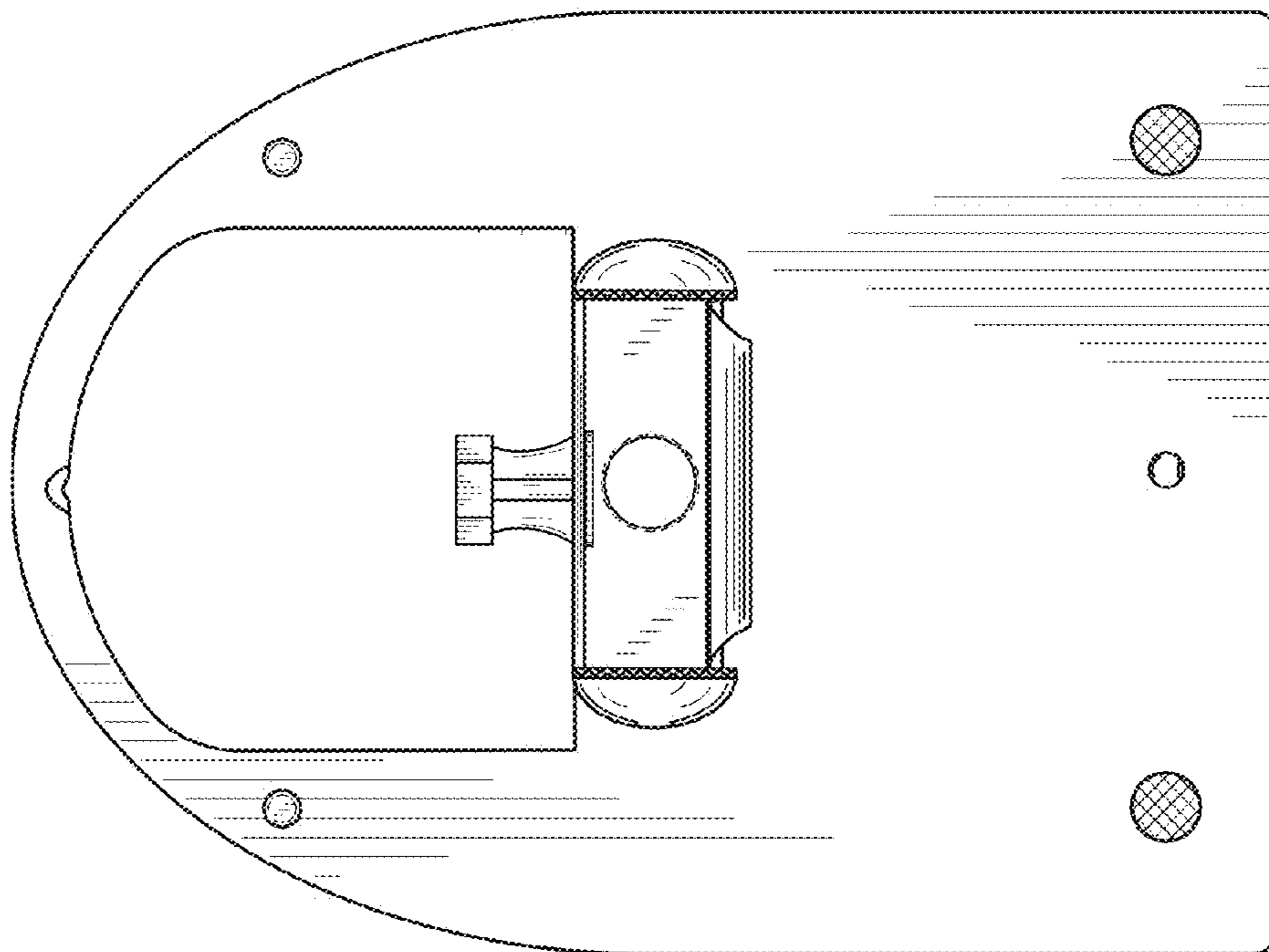


FIG. 6

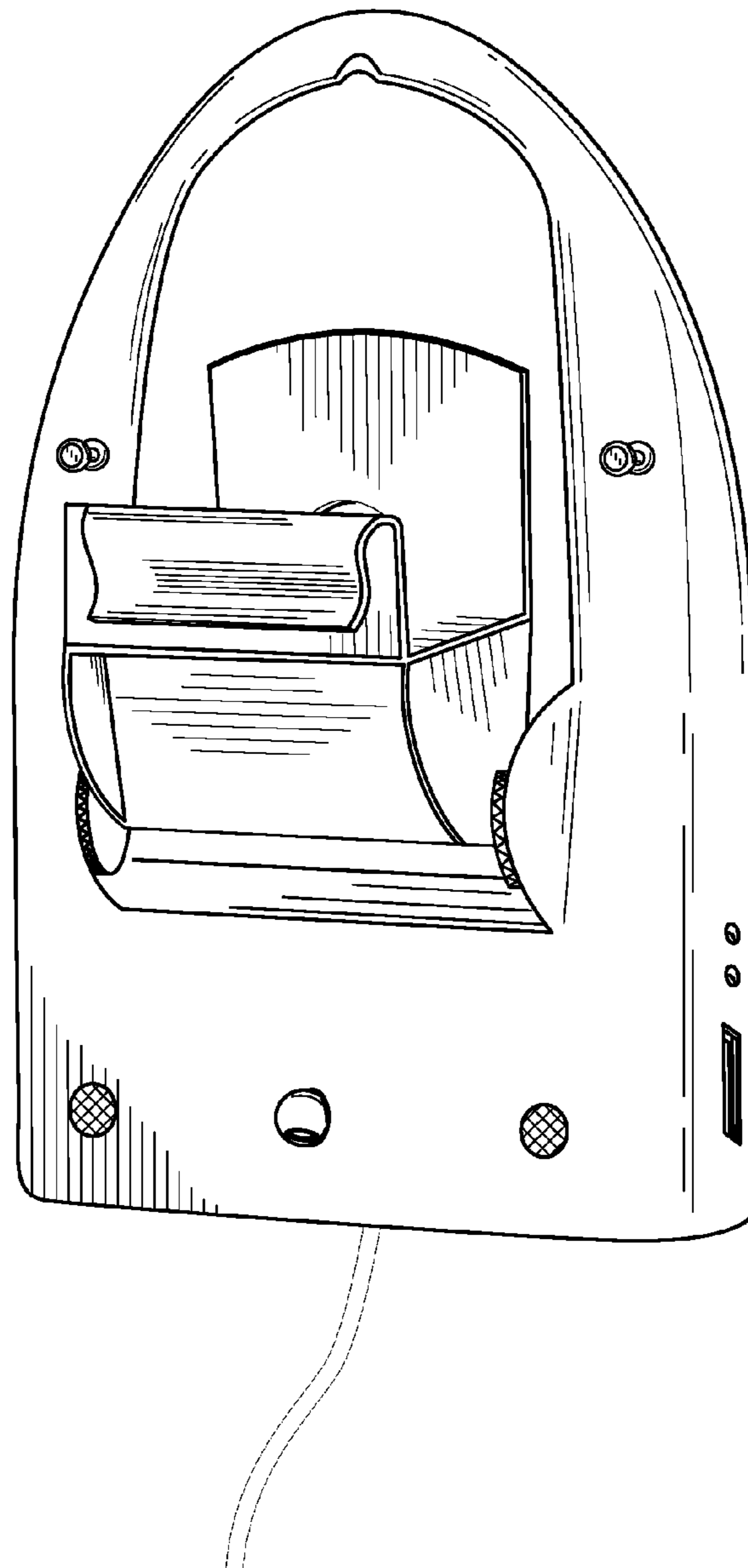


FIG. 8

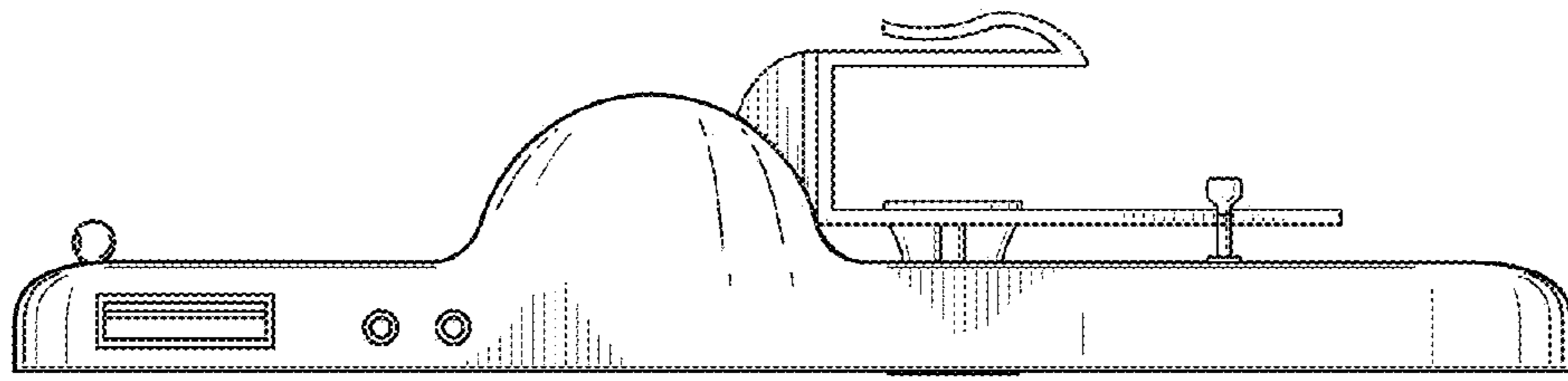


FIG. 9

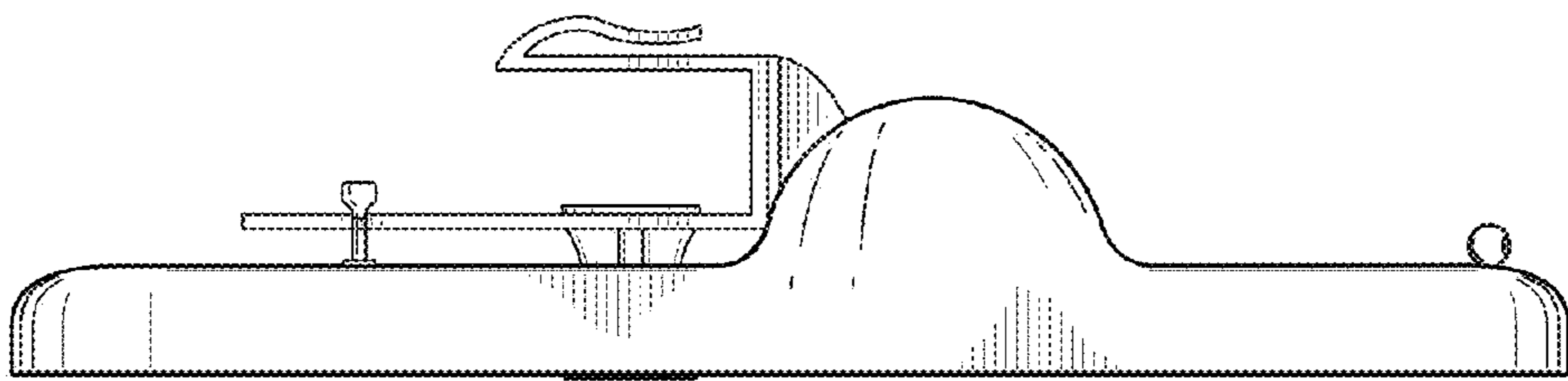


FIG. 10