



US00D741861S

(12) **United States Design Patent**
Haidar et al.

(10) **Patent No.:** **US D741,861 S**

(45) **Date of Patent:** **** Oct. 27, 2015**

(54) **ON BOARD DIAGNOSTICS VEHICLE
INFORMATION SYSTEM**

(71) Applicants: **Mahmoud Haidar**, Dallas, TX (US);
Scott Clifton Harper, Dallas, TX (US);
Powell McVay Kinney, Dalls, TX (US);
Steven Troy Ray, Dallas, TX (US);
Romeo Espana, Dallas, TX (US)

(72) Inventors: **Mahmoud Haidar**, Dallas, TX (US);
Scott Clifton Harper, Dallas, TX (US);
Powell McVay Kinney, Dalls, TX (US);
Steven Troy Ray, Dallas, TX (US);
Romeo Espana, Dallas, TX (US)

(**) Term: **14 Years**

(21) Appl. No.: **29/501,658**

(22) Filed: **Sep. 5, 2014**

(51) **LOC (10) Cl.** **14-02**

(52) **U.S. Cl.**
USPC **D14/383**

(58) **Field of Classification Search**
USPC D14/167, 154, 168, 188, 496, 156, 160,
D14/161, 162, 163, 164, 165, 158, 253, 192,
D14/159, 155, 138 AB, 137, 104.1; 455/351,
455/350, 353; D10/104, 106, 65, 78;
340/573.4, 573.1; 361/679.01, 679.02,
361/679.04, 679.21; 705/12
CPC H04N 21/43632; H04N 7/24; H04N
21/2146; H04N 21/44122; H04N 21/4126;
H04N 21/41422
See application file for complete search history.

(56) **References Cited**

U.S. PATENT DOCUMENTS

D469,761 S *	2/2003	Nussberger	D14/341
D477,815 S *	7/2003	Gillingham et al.	D13/184
D516,068 S *	2/2006	Walter	D14/383
D584,730 S *	1/2009	Lin et al.	D14/383
D648,844 S *	11/2011	Nelson et al.	D24/107
D668,251 S *	10/2012	Morrell	D14/383
D703,205 S *	4/2014	Tamura et al.	D14/383
D729,800 S *	5/2015	Kitano et al.	D14/383

* cited by examiner

Primary Examiner — Austin Murphy

(74) *Attorney, Agent, or Firm* — K&L Gates, LLP

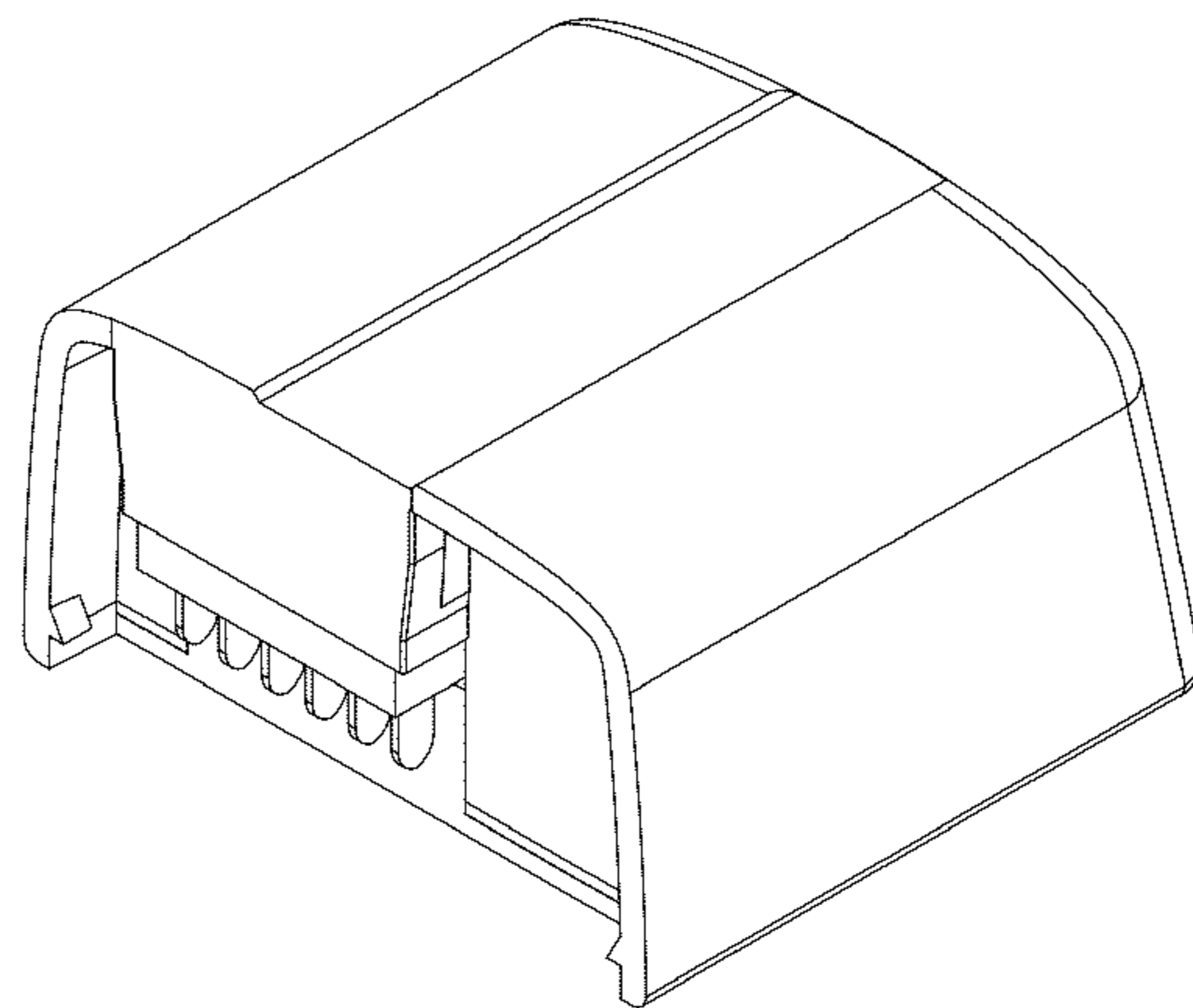
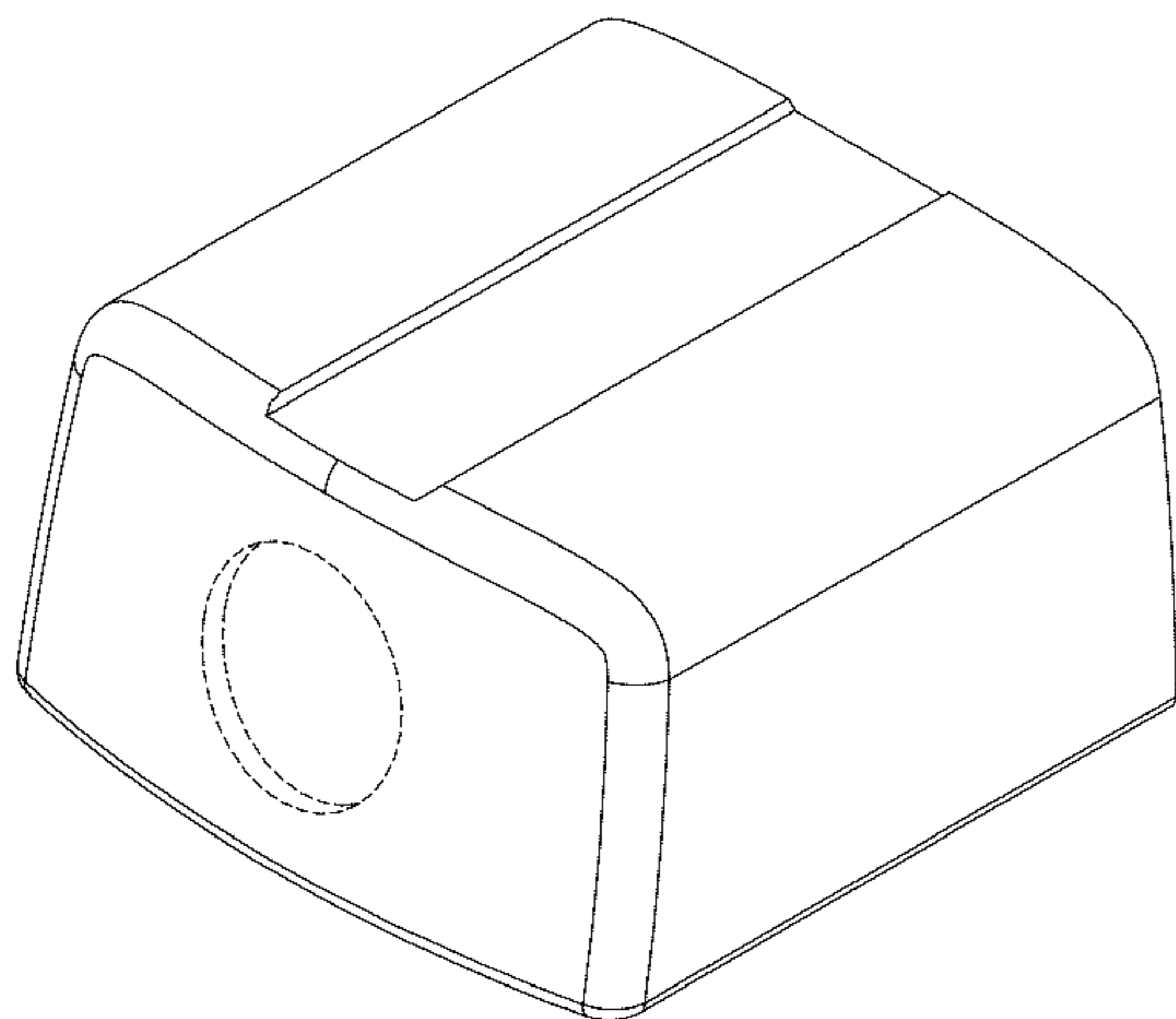
(57) **CLAIM**

The ornamental design for an on board diagnostics vehicle information system, as shown and described.

DESCRIPTION

FIG. 1 is a top view of an on board diagnostics vehicle information system of the instant invention;
FIG. 2 is a bottom view thereof;
FIG. 3 is a left view thereof;
FIG. 4 is a right view thereof;
FIG. 5 is a front view thereof;
FIG. 6 is a rear view thereof;
FIG. 7 is a top front perspective view thereof; and,
FIG. 8 is a top rear perspective view thereof.
The broken lines are for illustrative purposes only and form no part of the claimed design.

1 Claim, 8 Drawing Sheets



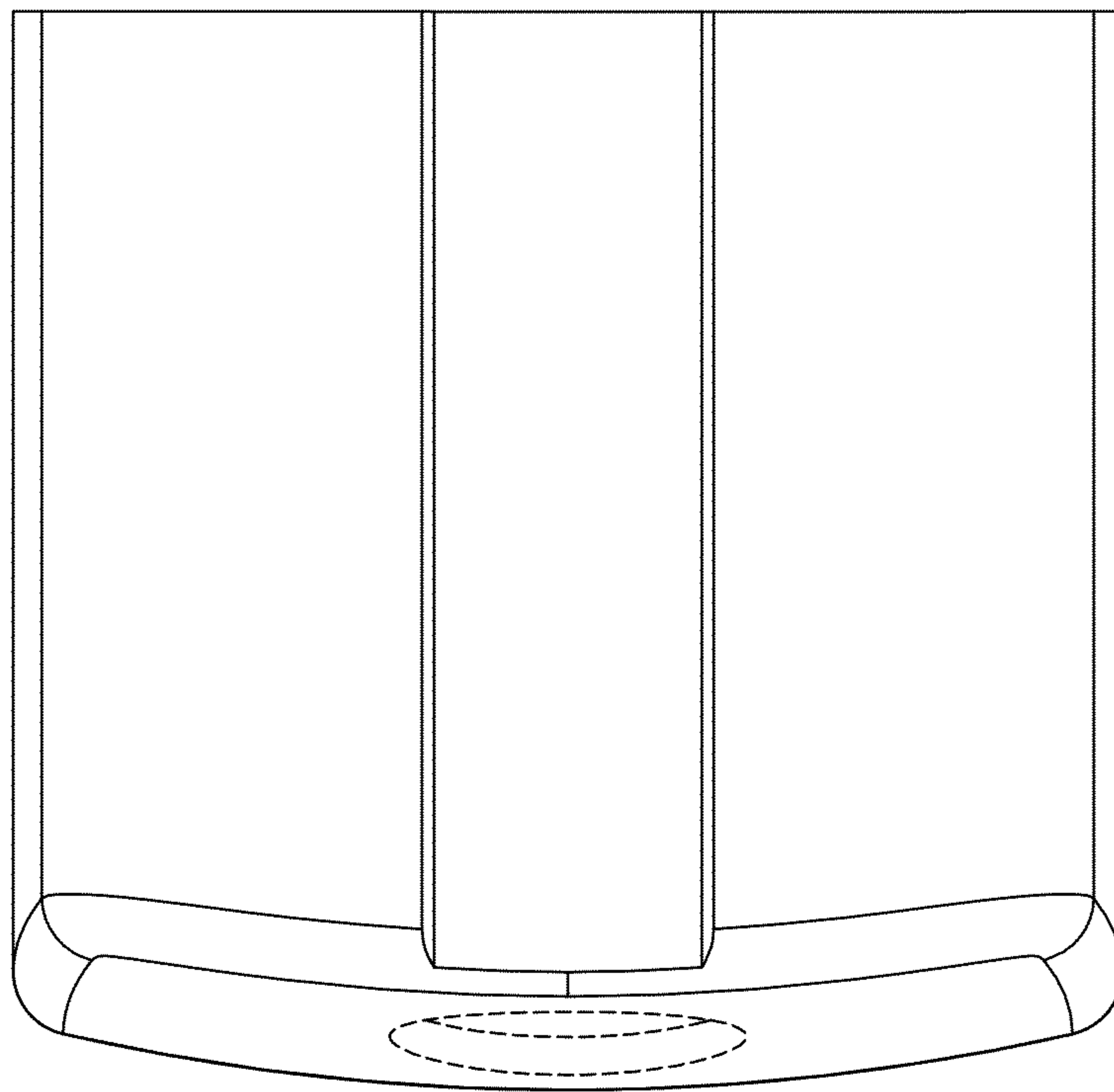


Fig. 1

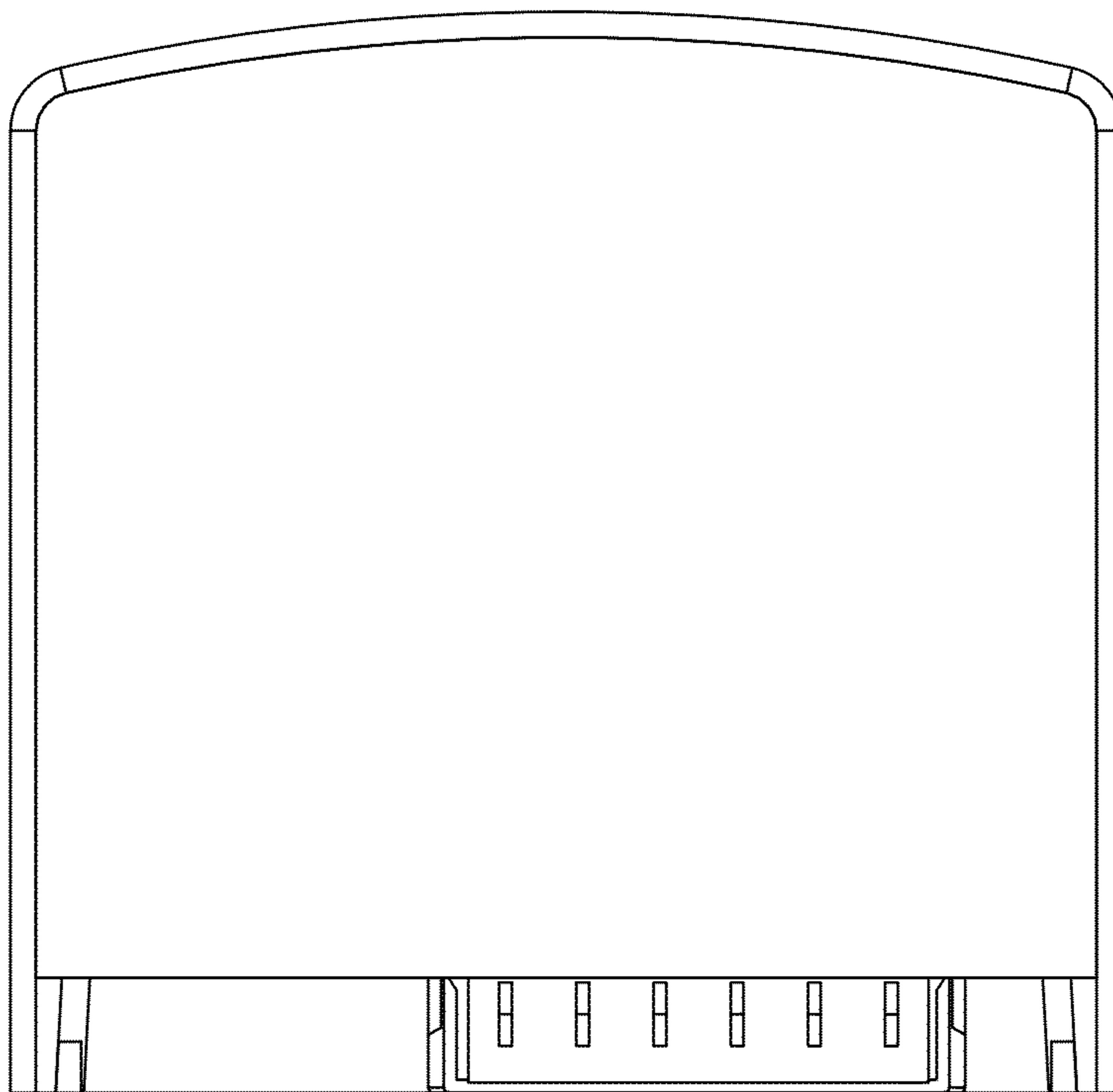


Fig. 2

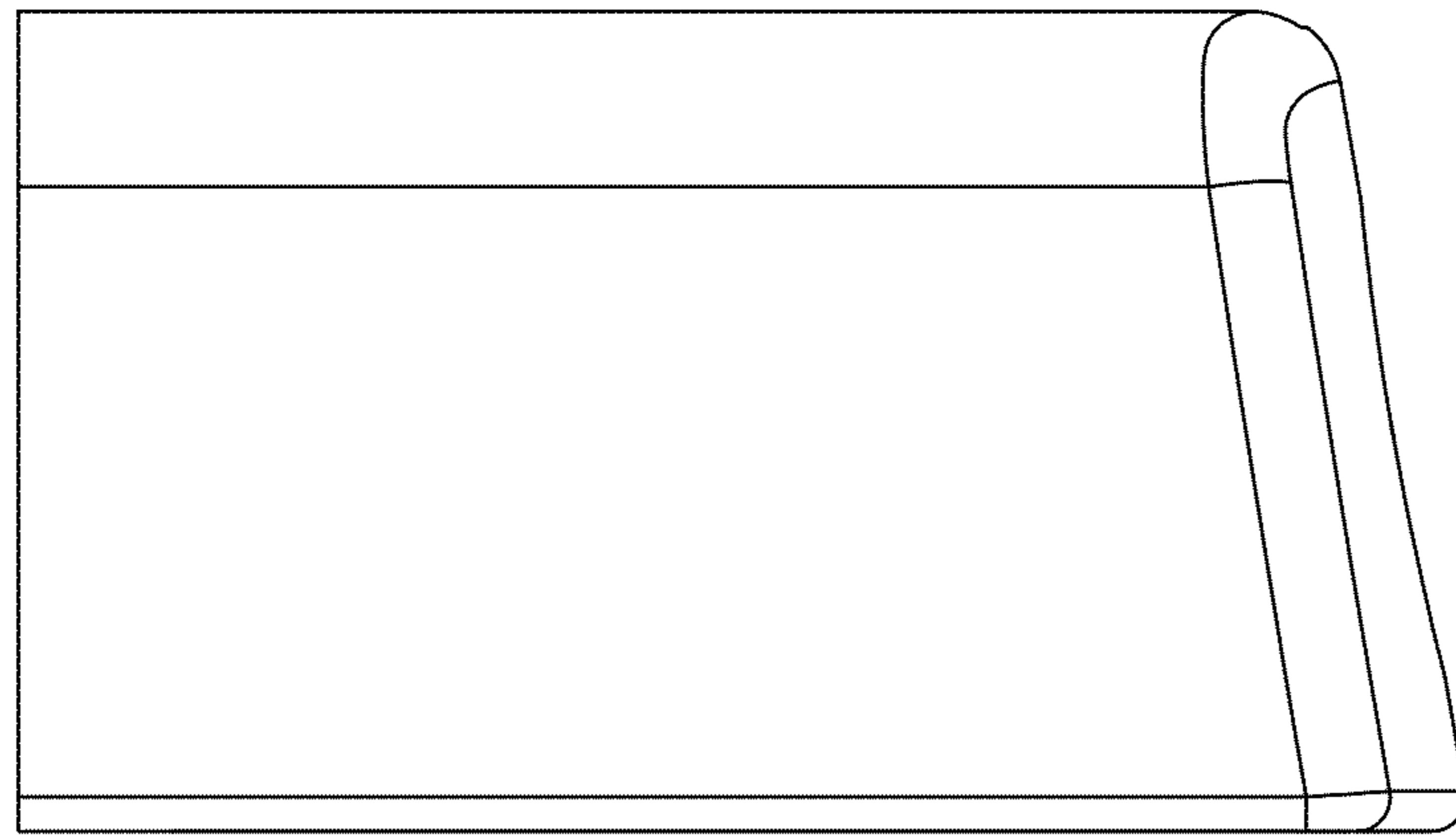


Fig. 3

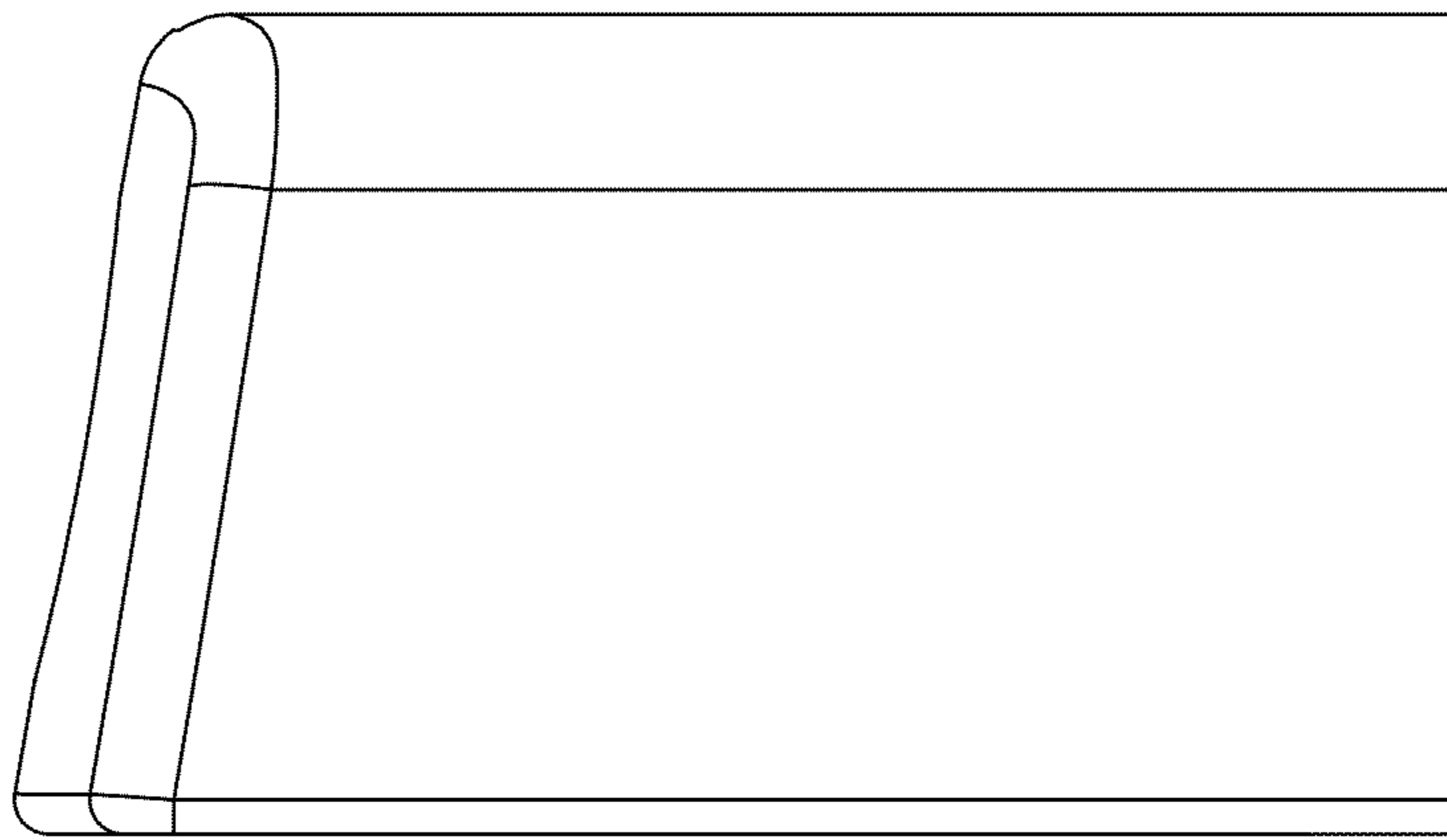


Fig. 4

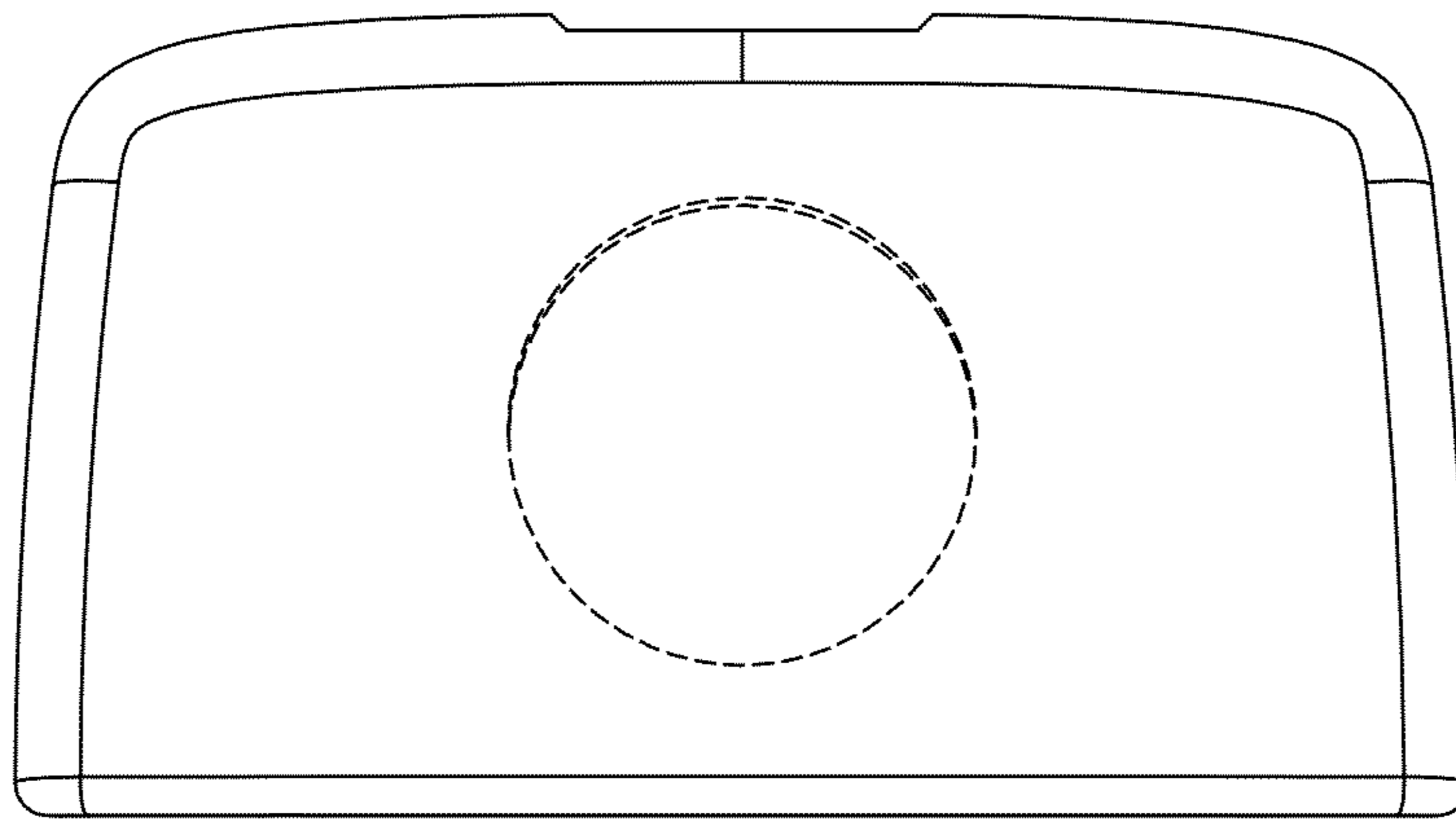


Fig. 5

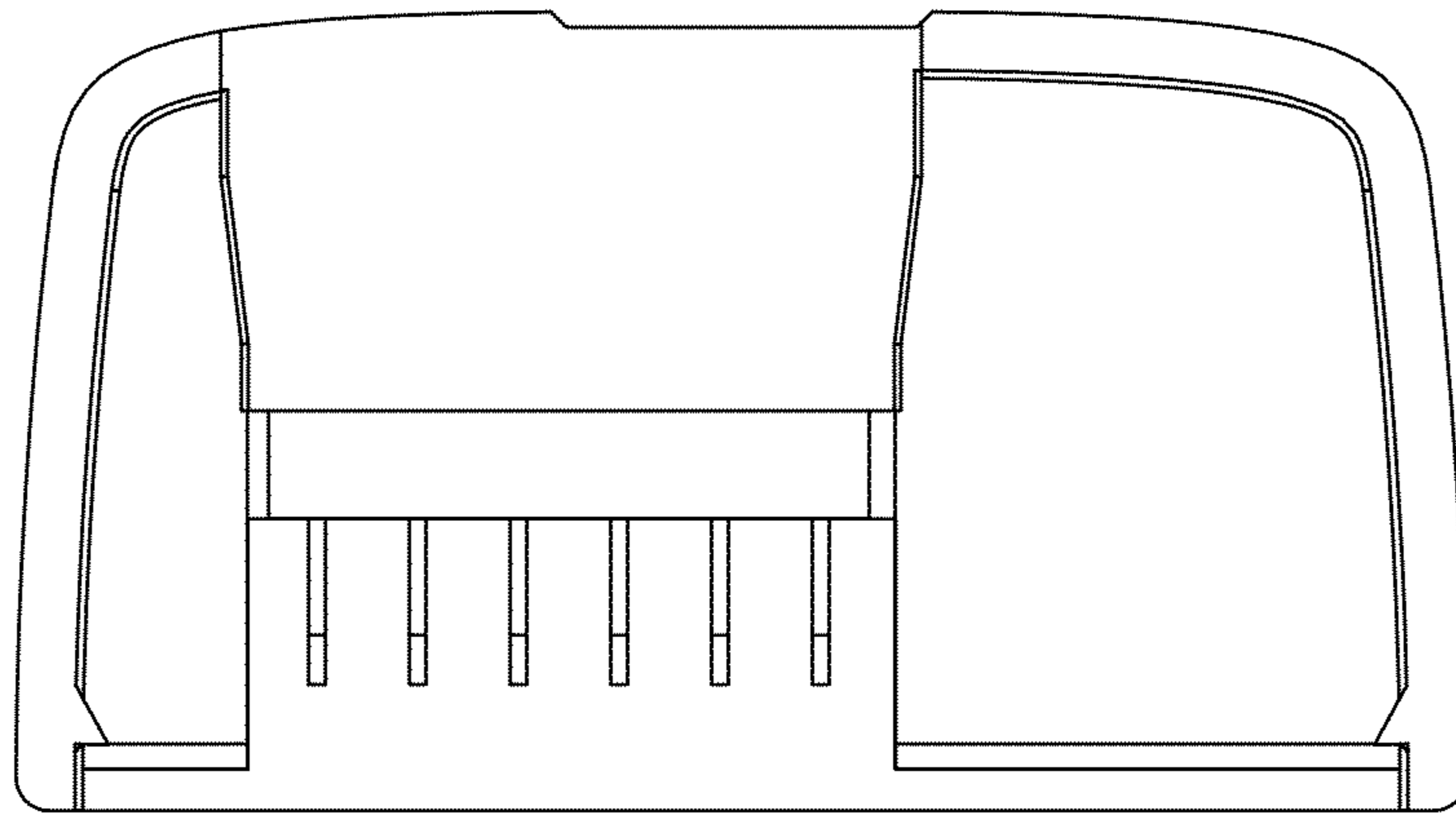


Fig. 6

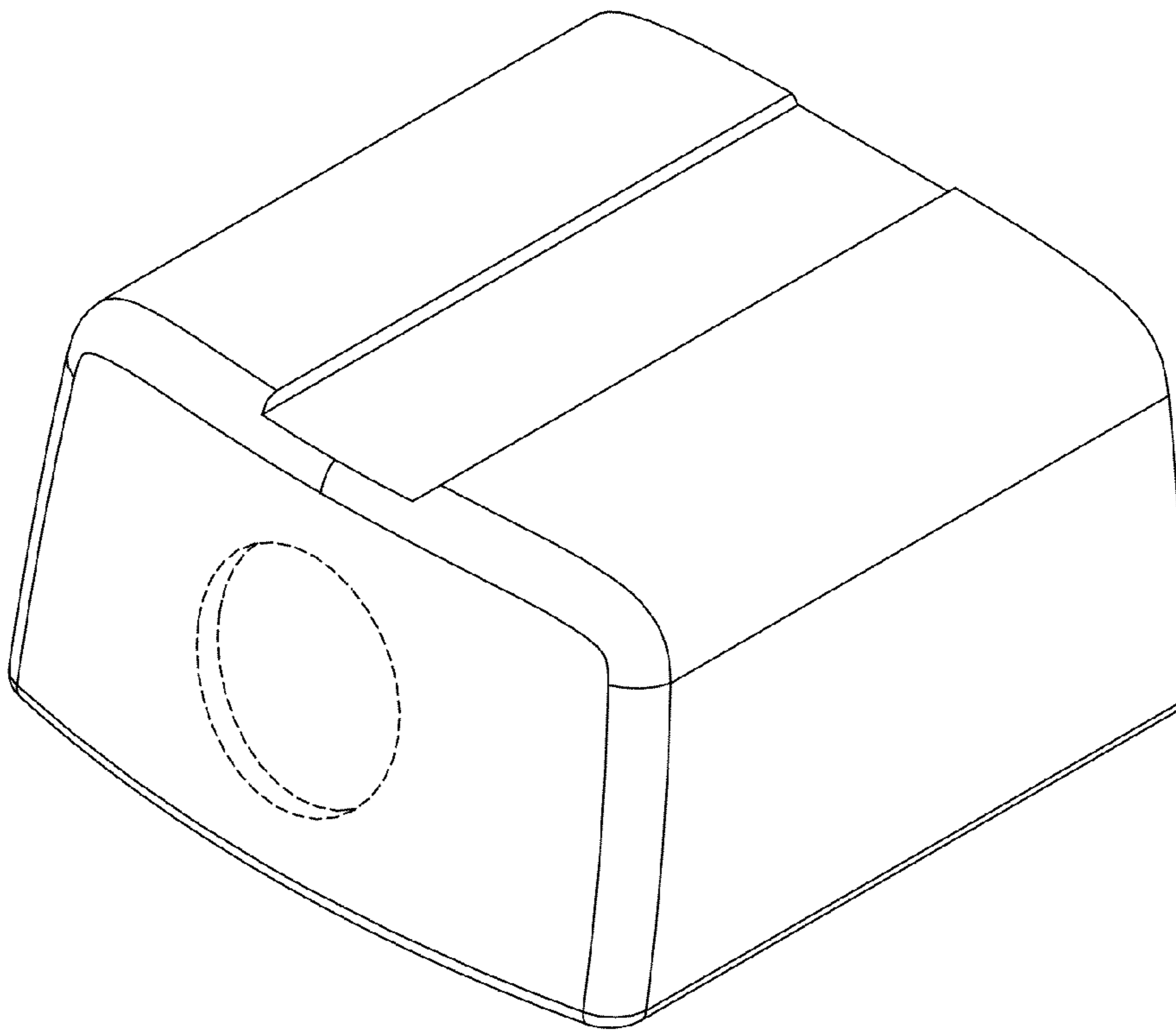


Fig. 7

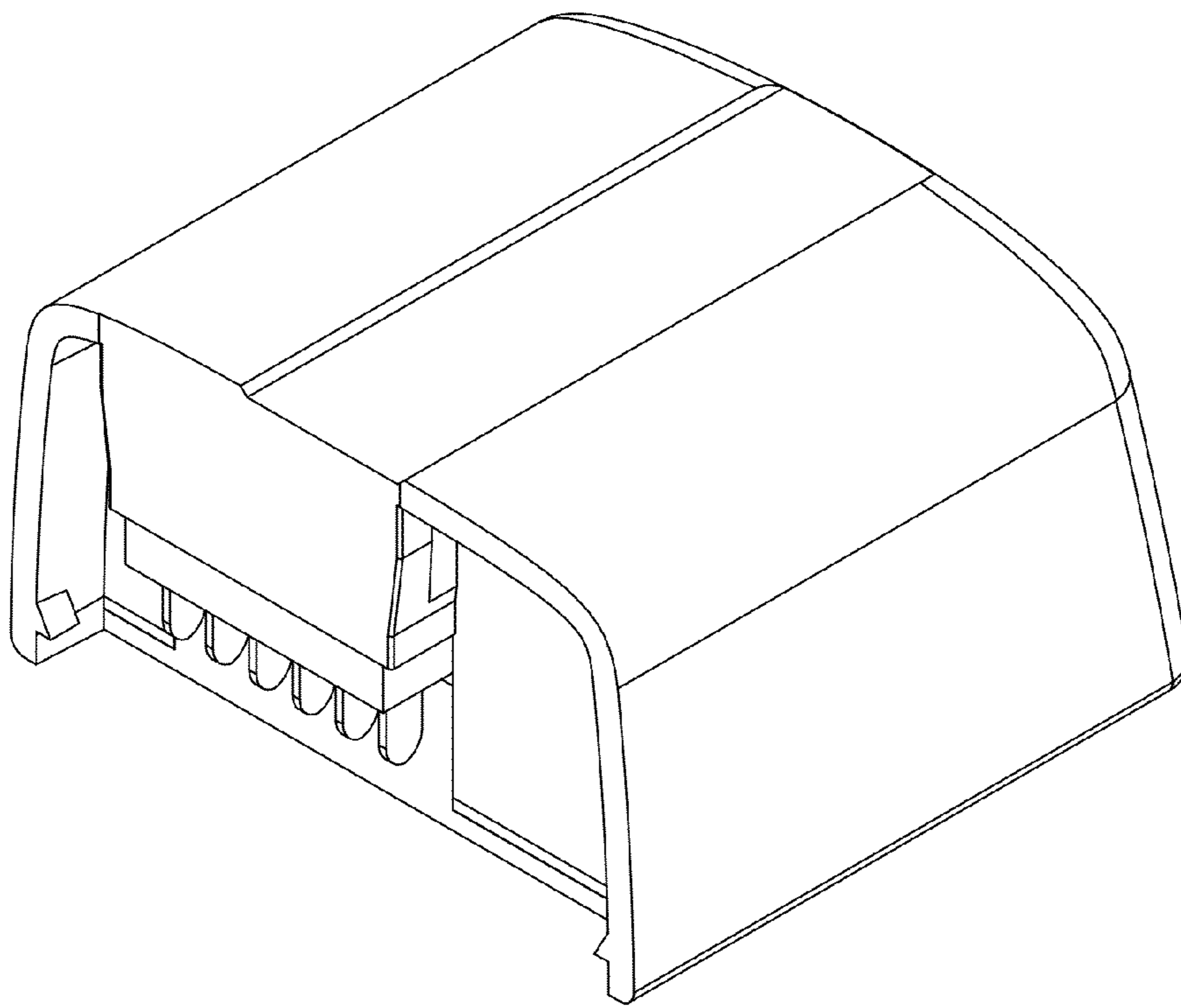


Fig. 8