



US00D741858S

(12) **United States Design Patent**  
**Bosveld et al.**

(10) **Patent No.:** **US D741,858 S**

(45) **Date of Patent:** **\*\* Oct. 27, 2015**

(54) **PORTION OF HEADSET WITH OPTICAL DISPLAY ELEMENT**

(71) Applicant: **Microsoft Corporation**, Redmond, WA (US)

(72) Inventors: **Paul Bosveld**, Seattle, WA (US); **Nicolas Denhez**, Seattle, WA (US); **YeongKyu Yoo**, Bellevue, WA (US); **Phil Frank**, Portland, OR (US); **Young Duk Song**, Kirkland, WA (US); **Henric Jentz**, Seattle, WA (US); **Aditha Adams**, Seattle, WA (US); **Travis Hosler**, Seattle, WA (US); **Andrew Hodge**, Palo Alto, CA (US)

(73) Assignee: **Microsoft Corporation**, Redmond, WA (US)

(\*\*) Term: **14 Years**

(21) Appl. No.: **29/515,174**

(22) Filed: **Jan. 20, 2015**

(51) **LOC (10) Cl.** ..... **14-02**

(52) **U.S. Cl.**  
USPC ..... **D14/372**

(58) **Field of Classification Search**  
USPC ..... D14/372, 496, 432, 371, 125, 126, 129, D14/299; D16/300-342; 351/158, 153, 144; 345/7-9, 905; 455/344; 348/115, 53, 348/121, 739  
CPC ..... G02B 27/017; G02B 27/0158; G02B 27/0161; G02B 27/0181; G02B 27/0185; G02B 27/0189

See application file for complete search history.

(56) **References Cited**

U.S. PATENT DOCUMENTS

D601,641 S \* 10/2009 Yeung ..... D21/483  
D687,434 S \* 8/2013 Serota ..... D14/372  
D701,206 S \* 3/2014 Luckey et al. .... D14/372  
D704,706 S \* 5/2014 Serota ..... D14/372

D709,880 S \* 7/2014 Kim et al. .... D14/372  
D714,786 S \* 10/2014 Pombo et al. .... D14/372  
D719,953 S \* 12/2014 Nokuo et al. .... D14/372  
D722,054 S \* 2/2015 Serota ..... D14/372  
D724,559 S \* 3/2015 Reaux ..... D14/205  
D727,318 S \* 4/2015 Garcia Marin et al. .... D14/372  
D727,896 S \* 4/2015 Laluque ..... D14/372  
2013/0237146 A1\* 9/2013 Serota ..... 455/12.1  
2013/0285886 A1\* 10/2013 Pombo et al. .... 345/8

\* cited by examiner

*Primary Examiner* — Austin Murphy

(74) *Attorney, Agent, or Firm* — Banner & Witcoff, Ltd.

(57) **CLAIM**

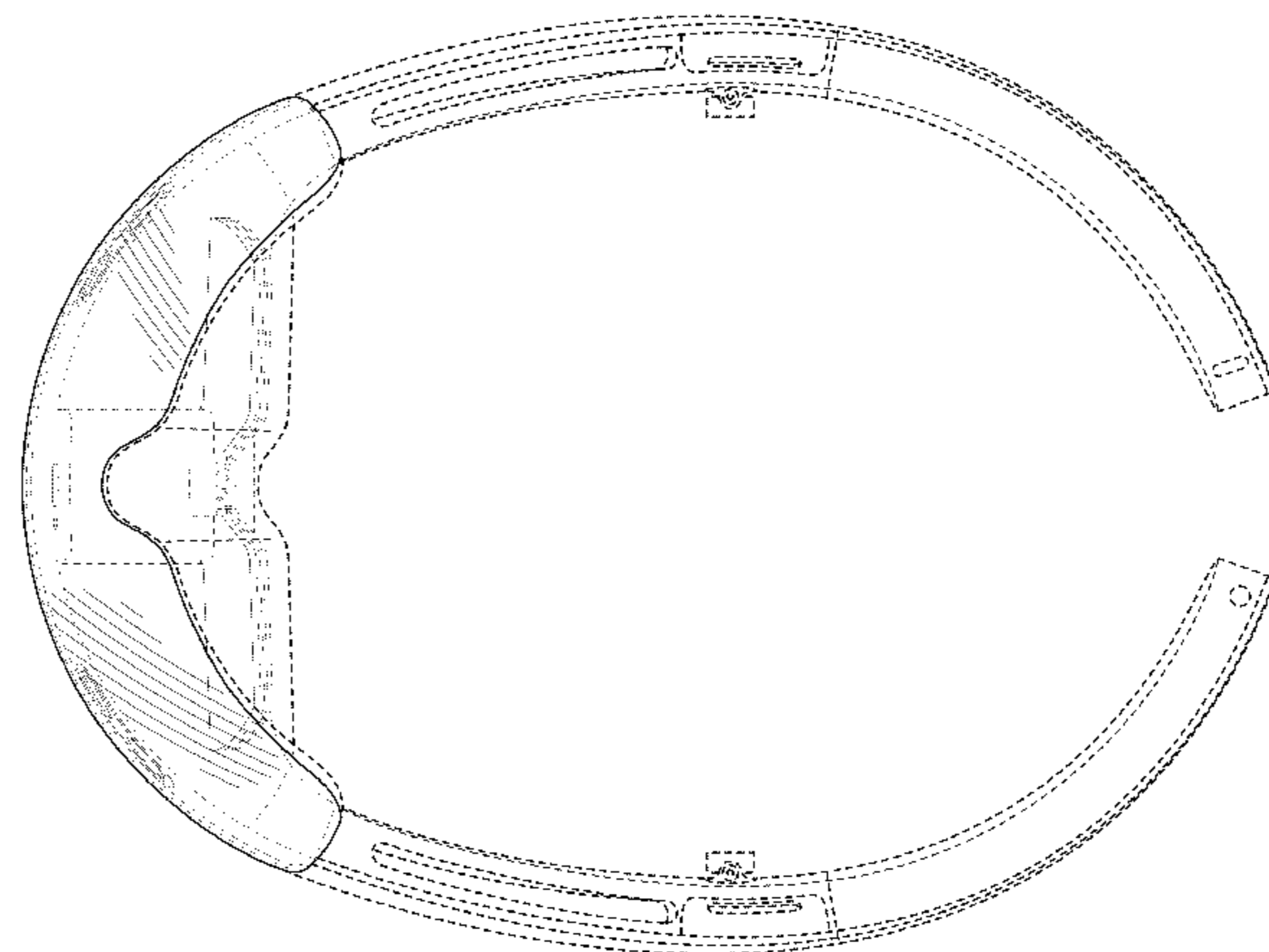
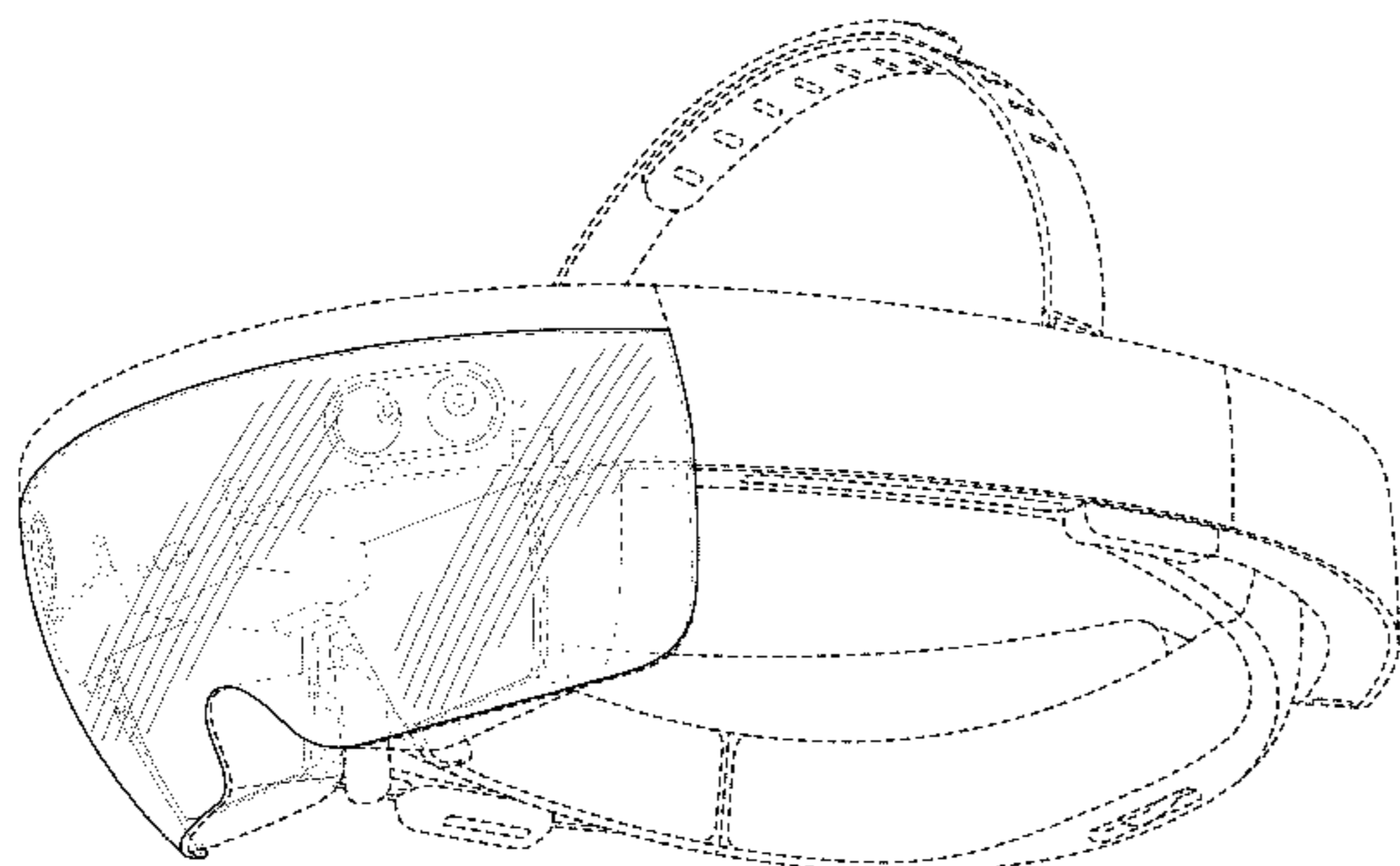
We claim the ornamental design for the portion of headset with optical display element, as shown and described.

**DESCRIPTION**

FIG. 1 is a front perspective view of a portion of headset with optical display element showing our new design;  
FIG. 2 is a rear perspective view thereof;  
FIG. 3 is a front view thereof;  
FIG. 4 is a rear view thereof;  
FIG. 5 is a left side view thereof;  
FIG. 6 is a right side view thereof;  
FIG. 7 is a top view thereof;  
FIG. 8 is a bottom view thereof;  
FIG. 9 is a front perspective view of the portion of headset with optical display element of FIGS. 1-8 shown with selected disclaimed features removed for clarity;  
FIG. 10 is a rear perspective view thereof;  
FIG. 11 is a front view thereof;  
FIG. 12 is a rear view thereof;  
FIG. 13 is a left side view thereof;  
FIG. 14 is a right side view thereof;  
FIG. 15 is a top view thereof; and,  
FIG. 16 is a bottom view thereof.

The broken line showing of the remainder of the optical display element for a headset is for environmental purposes only and forms no part of the claimed design. The figures feature transparent visor portions through which other features are visible. FIGS. 9 through 16 show the optical display element for a headset of claims 1-8, with selected disclaimed features removed for clarity.

**1 Claim, 16 Drawing Sheets**



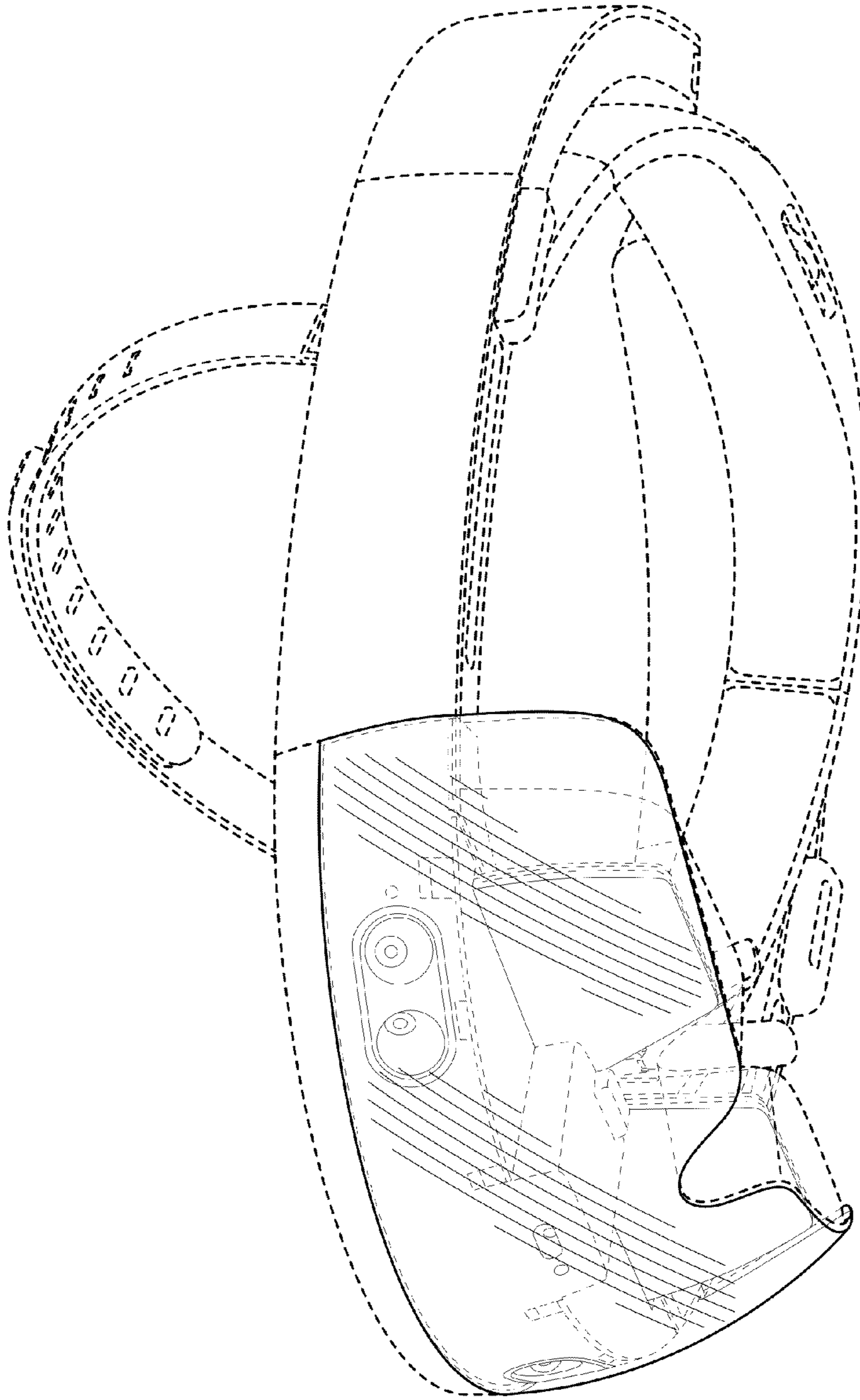


FIG. 1

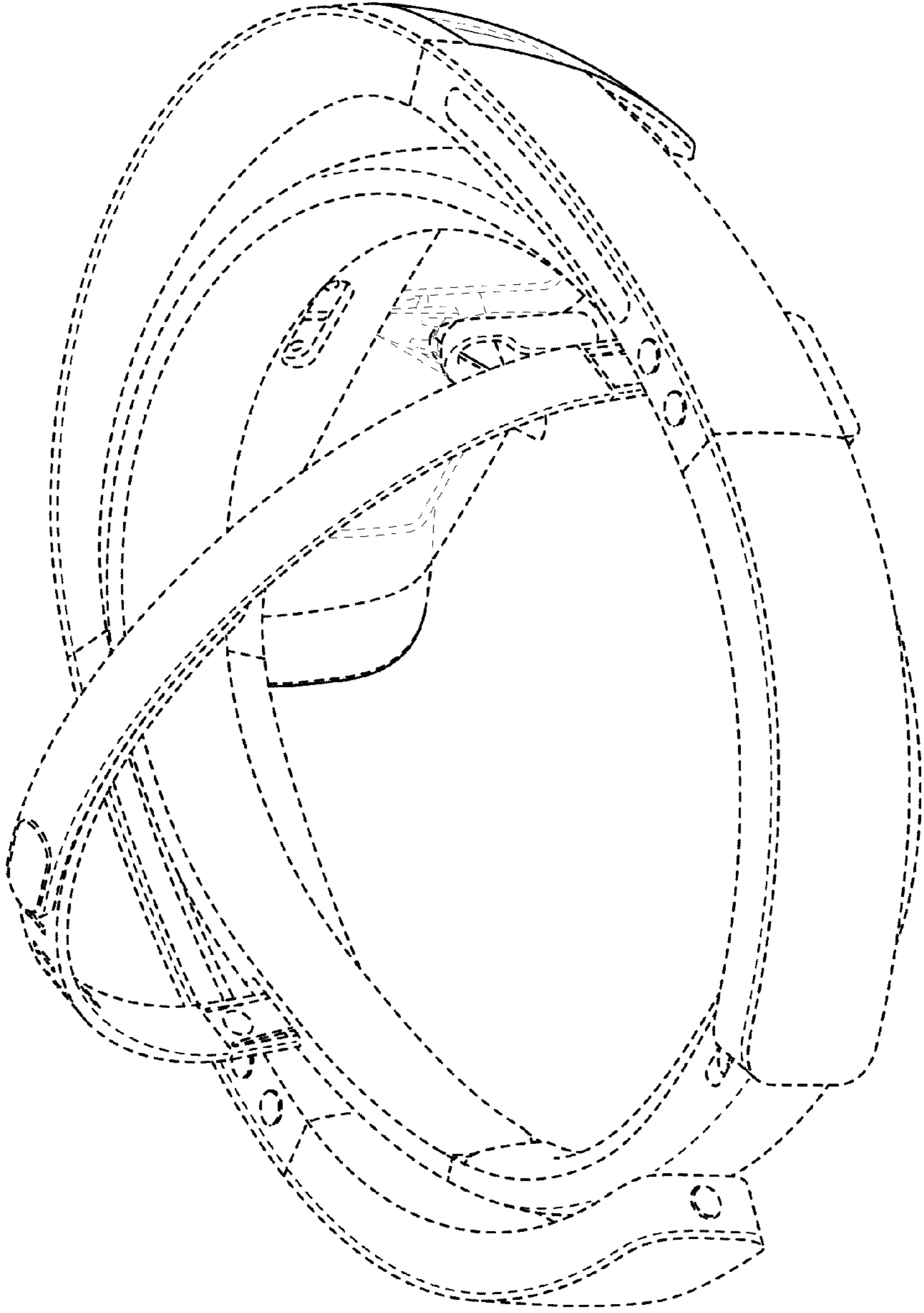


FIG. 2



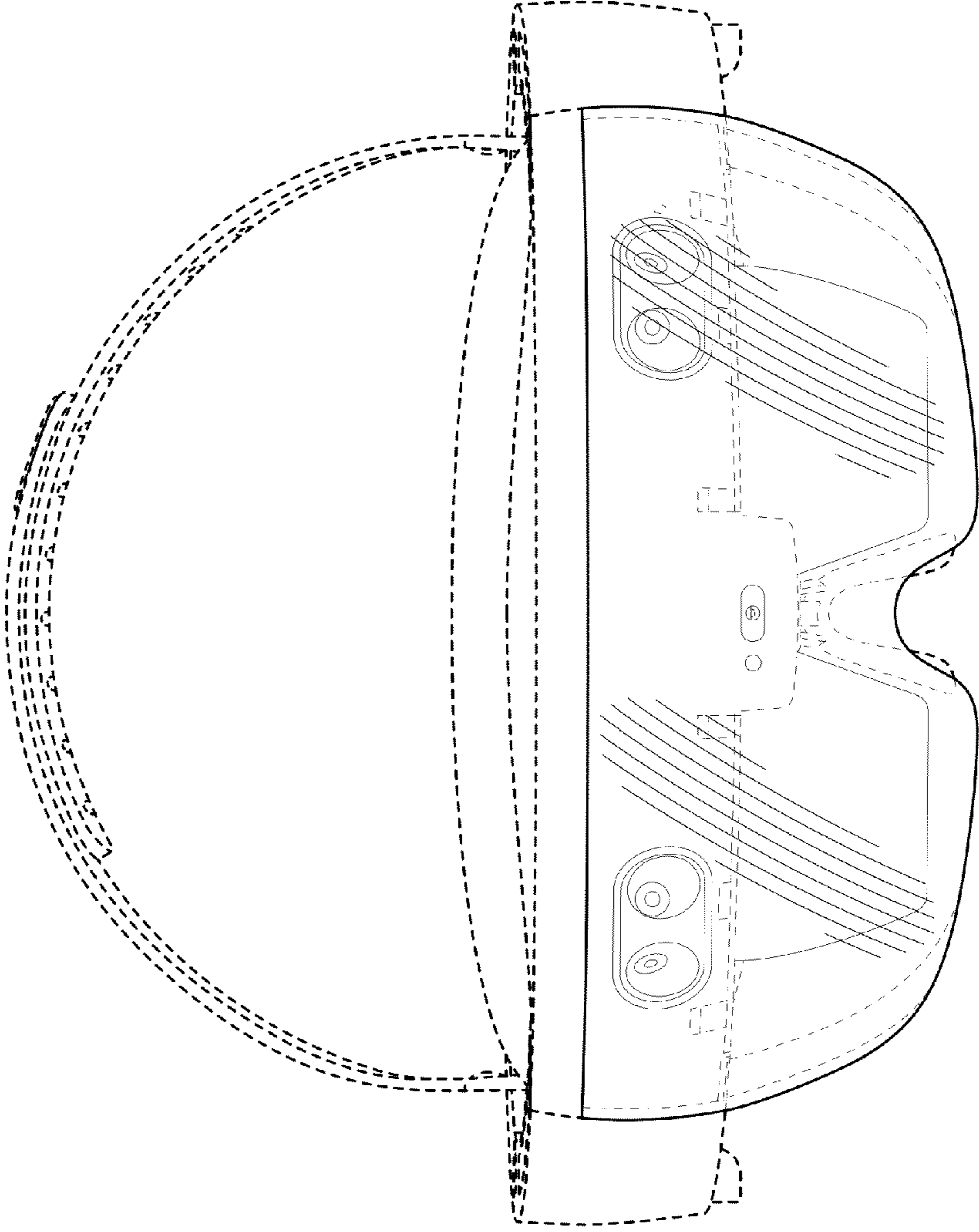


FIG. 3

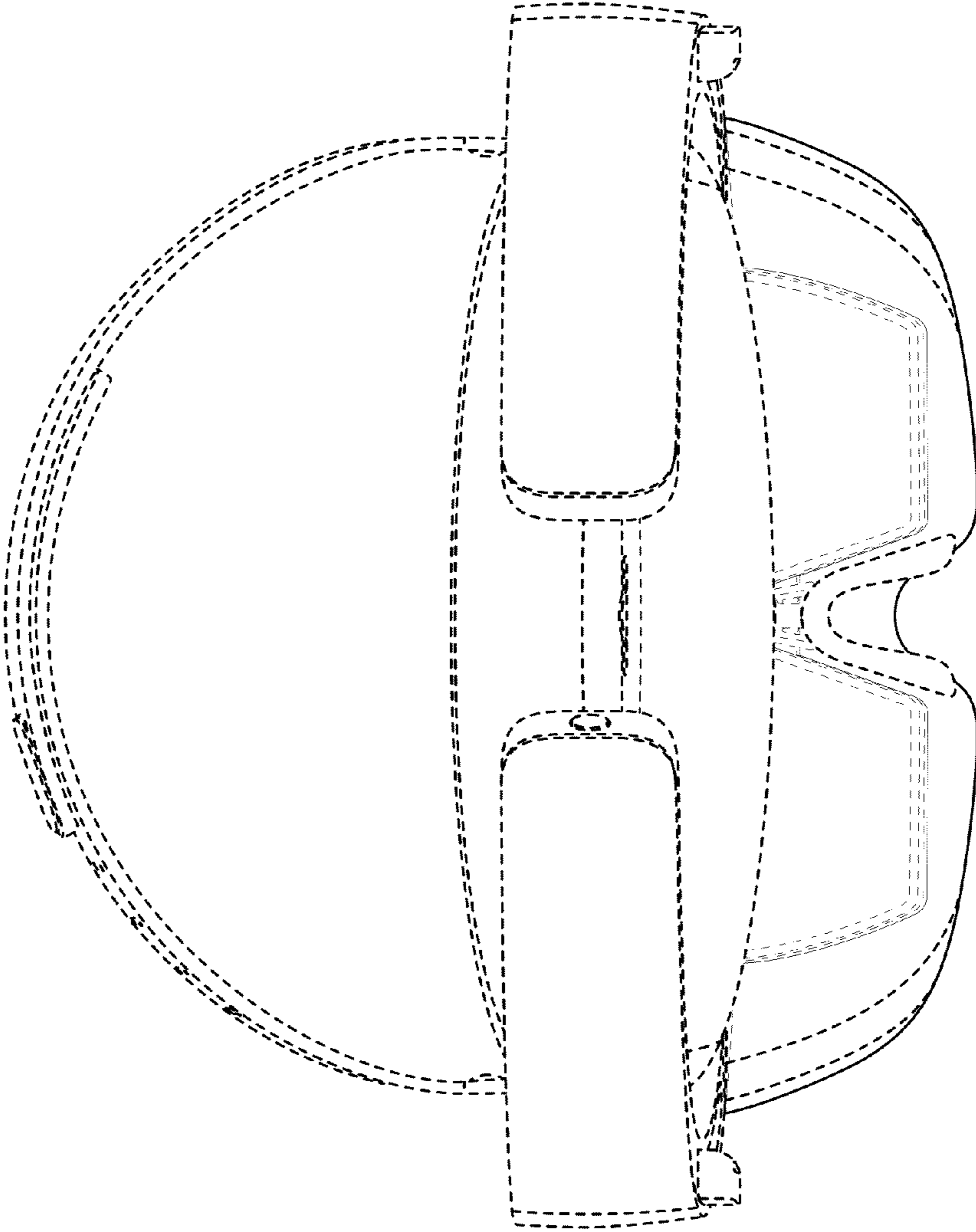


FIG. 4

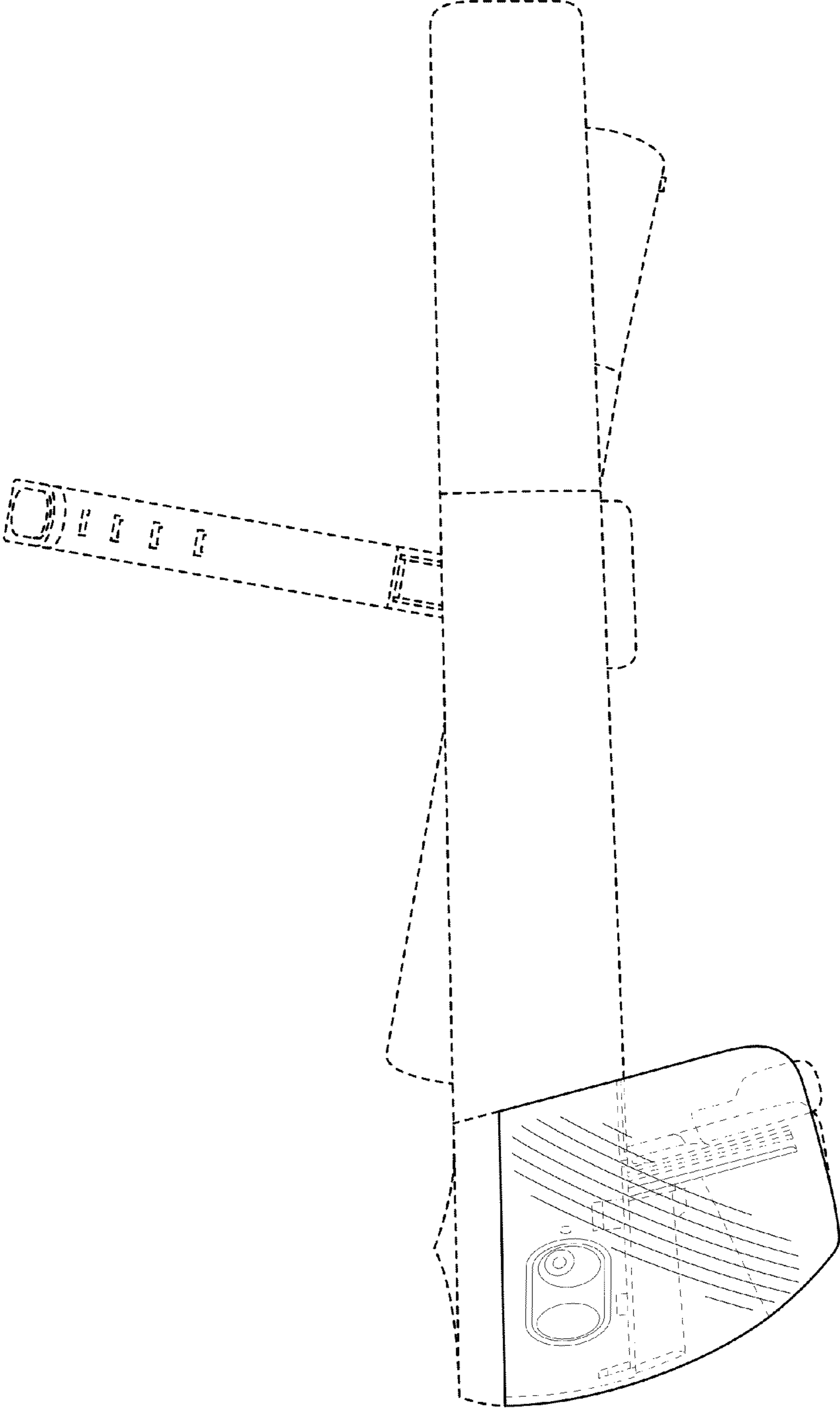


FIG. 5

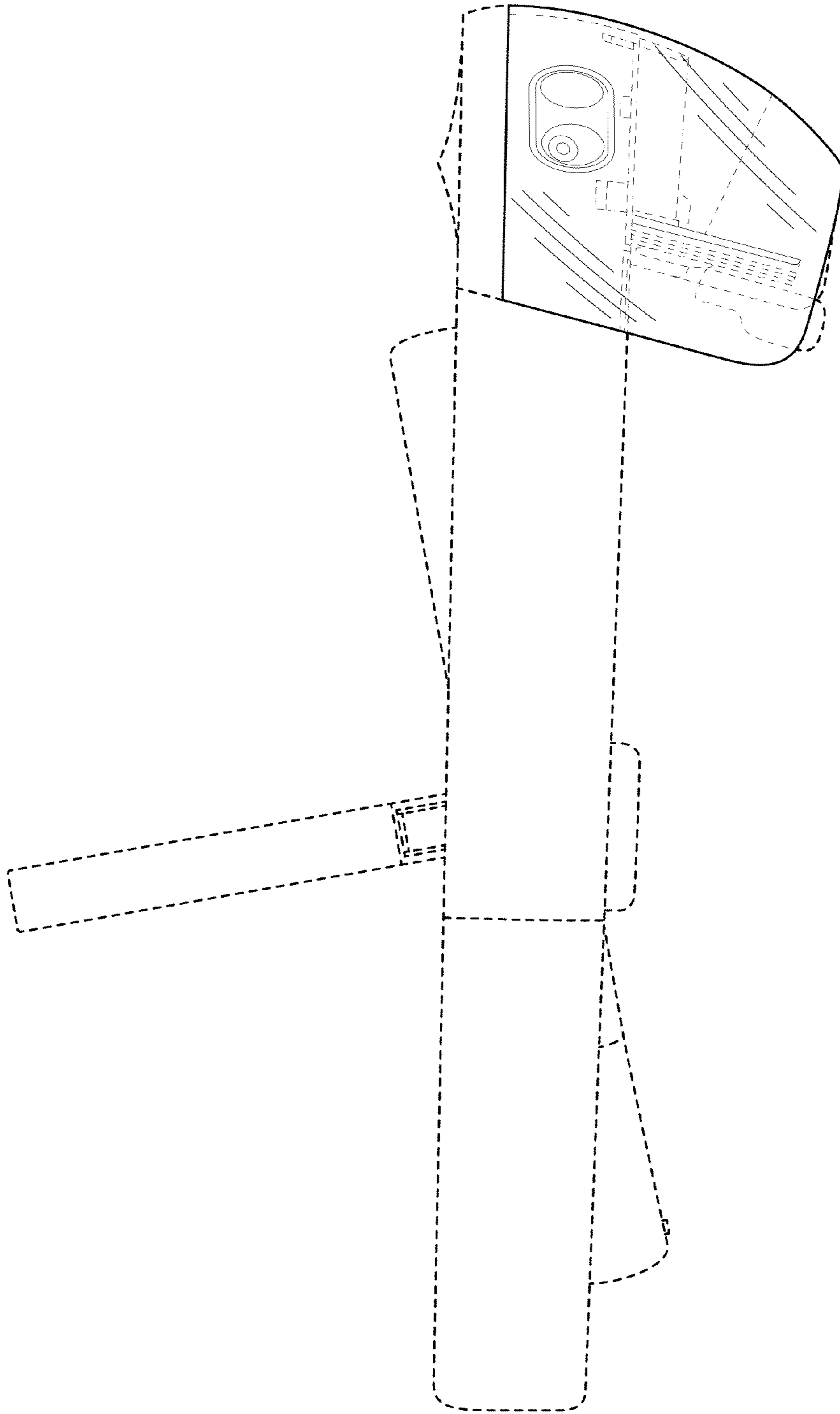


FIG. 6

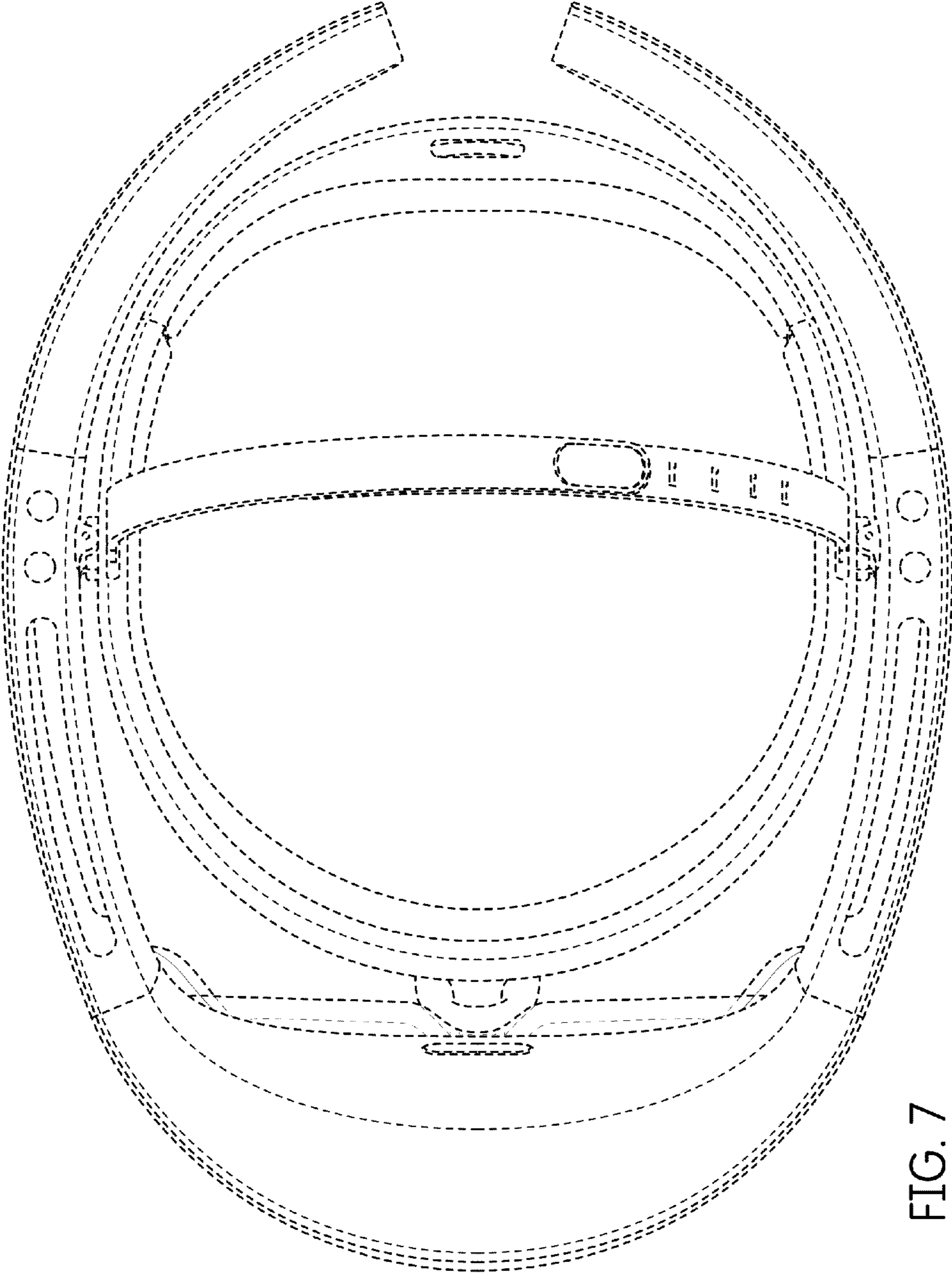


FIG. 7



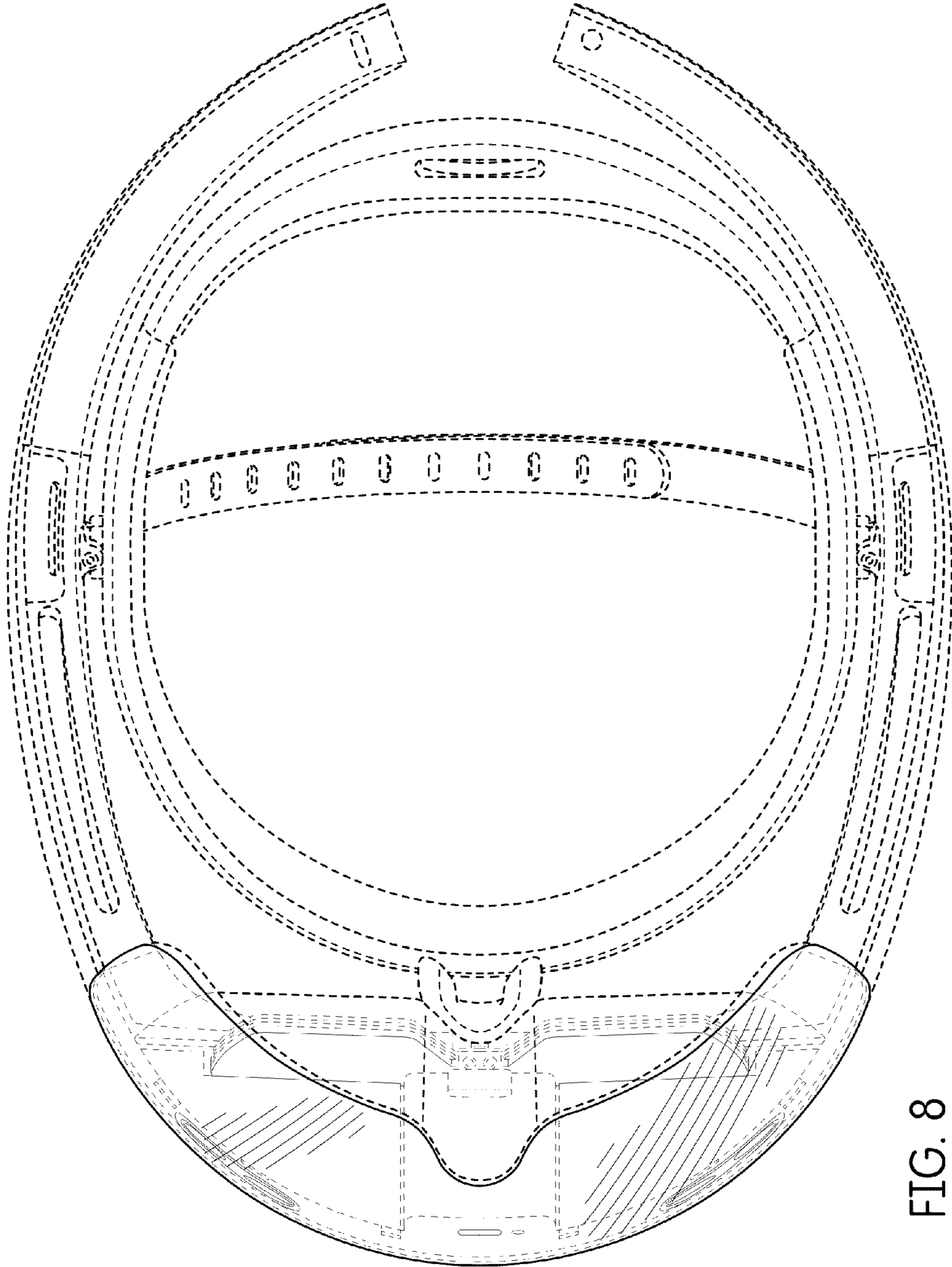


FIG. 8

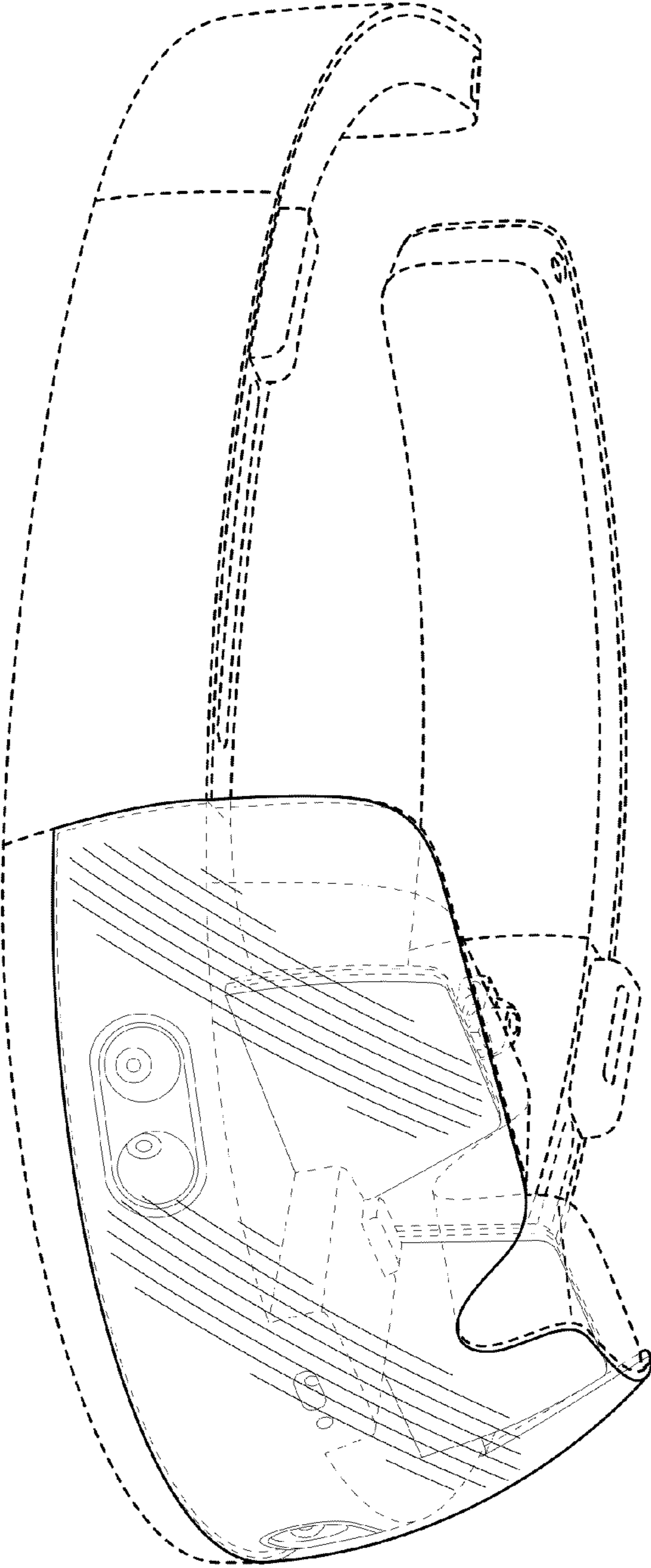


FIG. 9

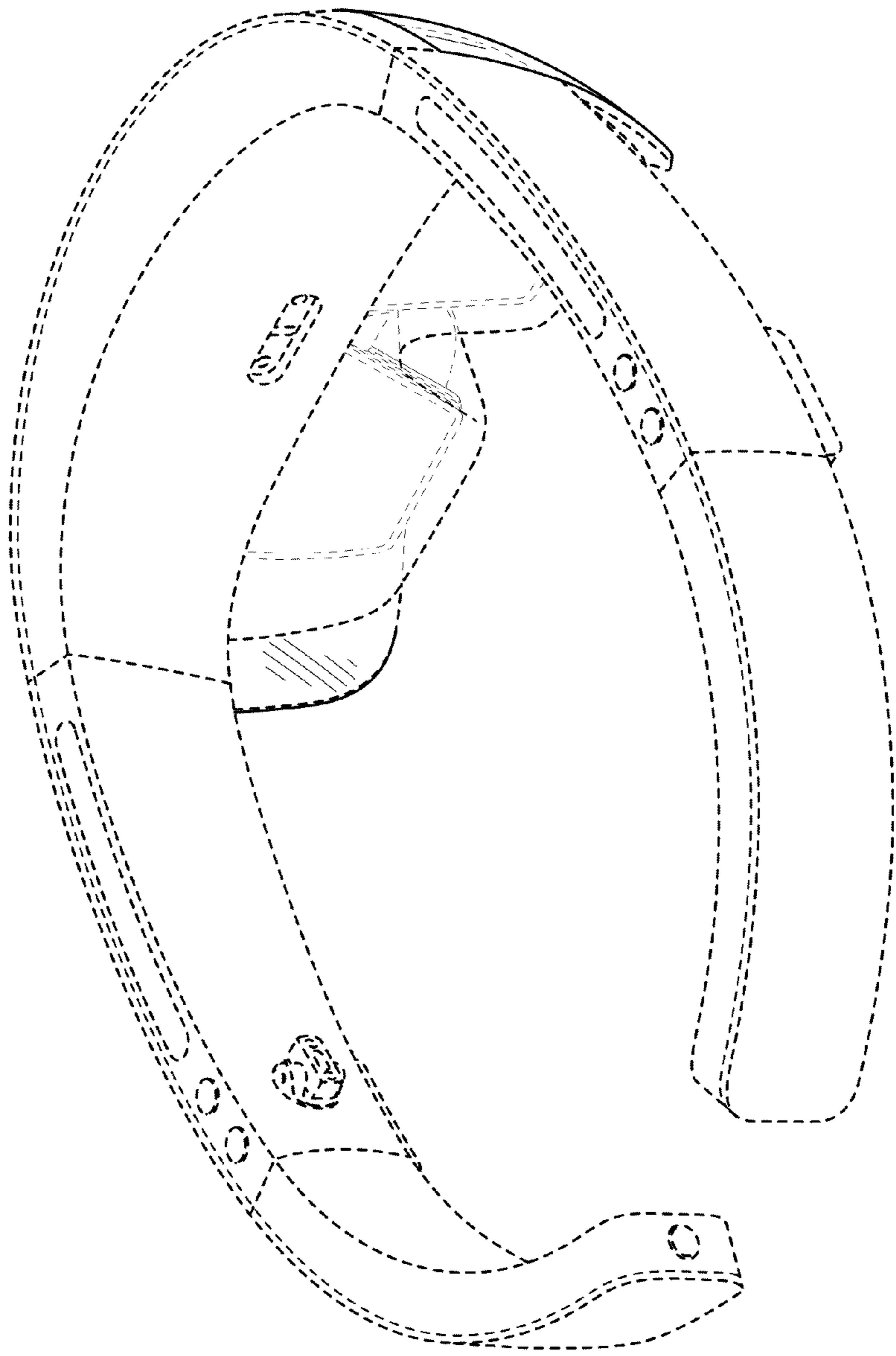


FIG. 10

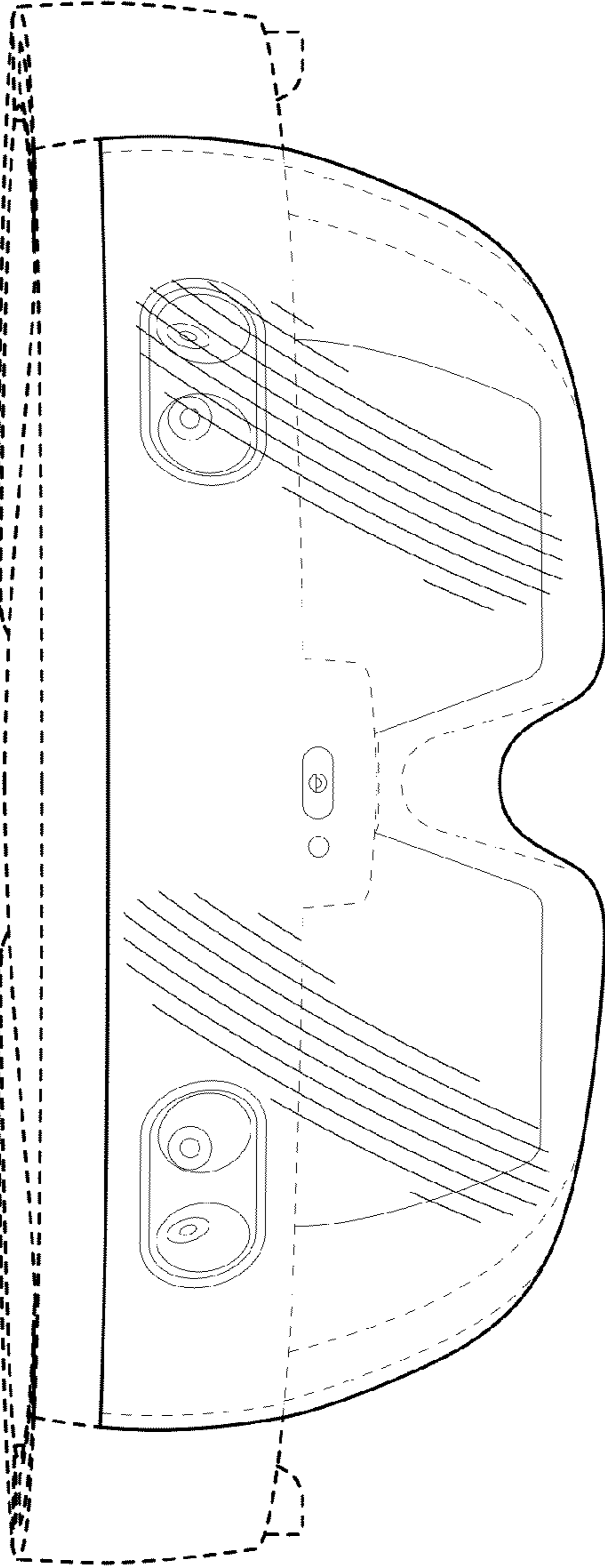


FIG. 11

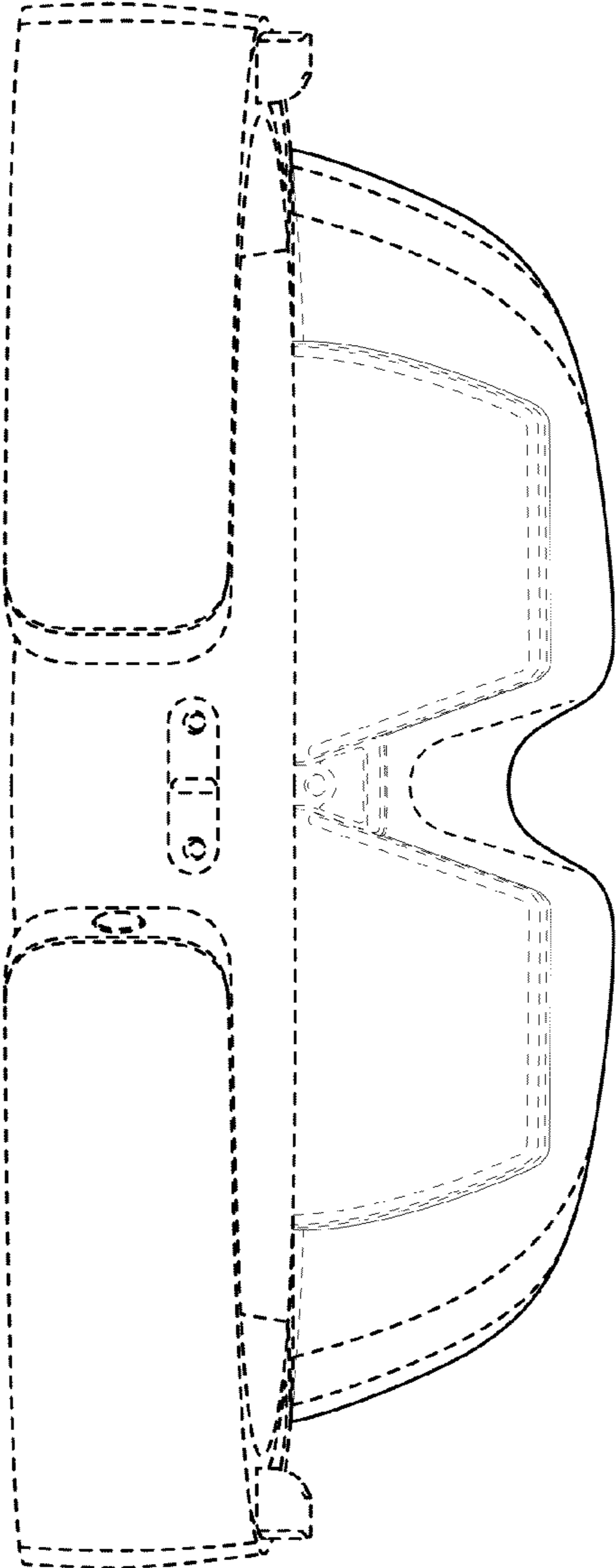


FIG. 12



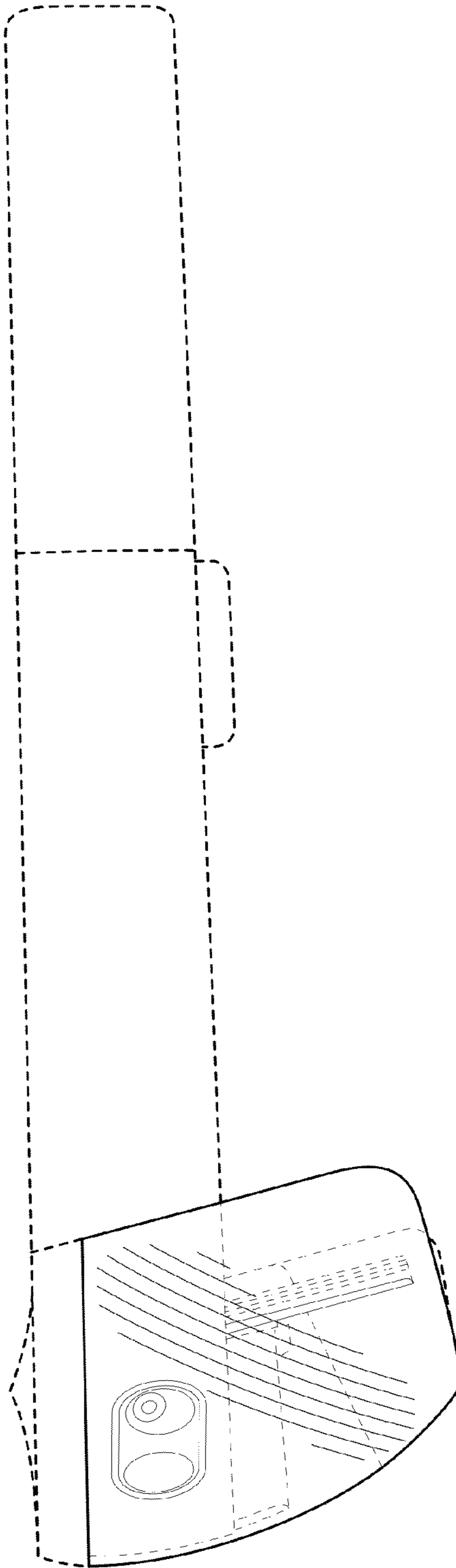


FIG. 13

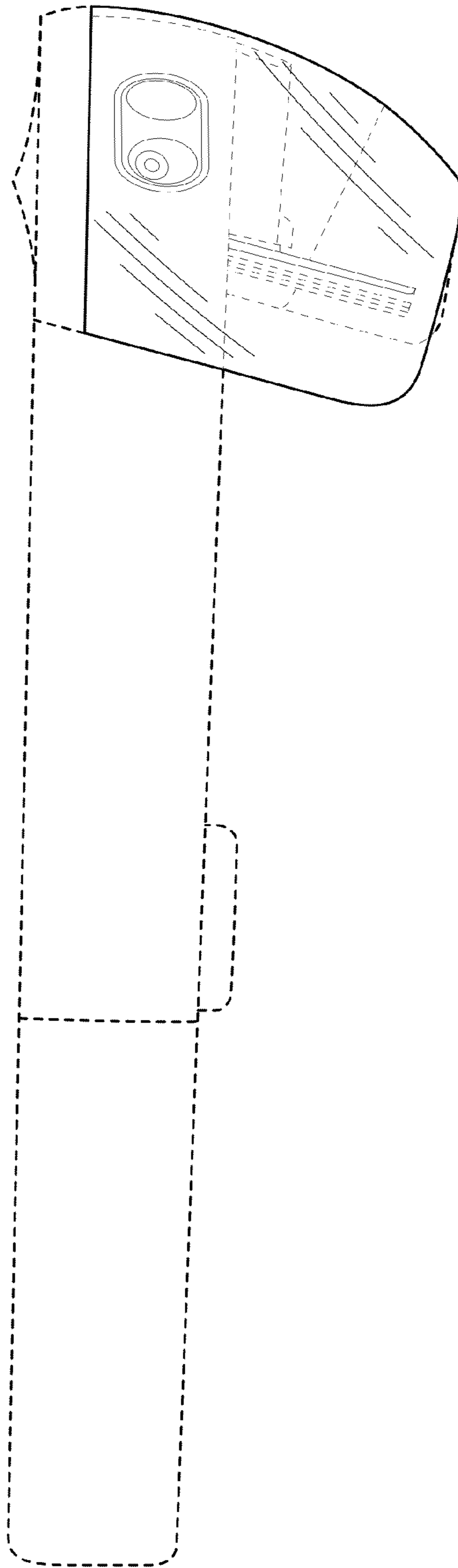


FIG. 14

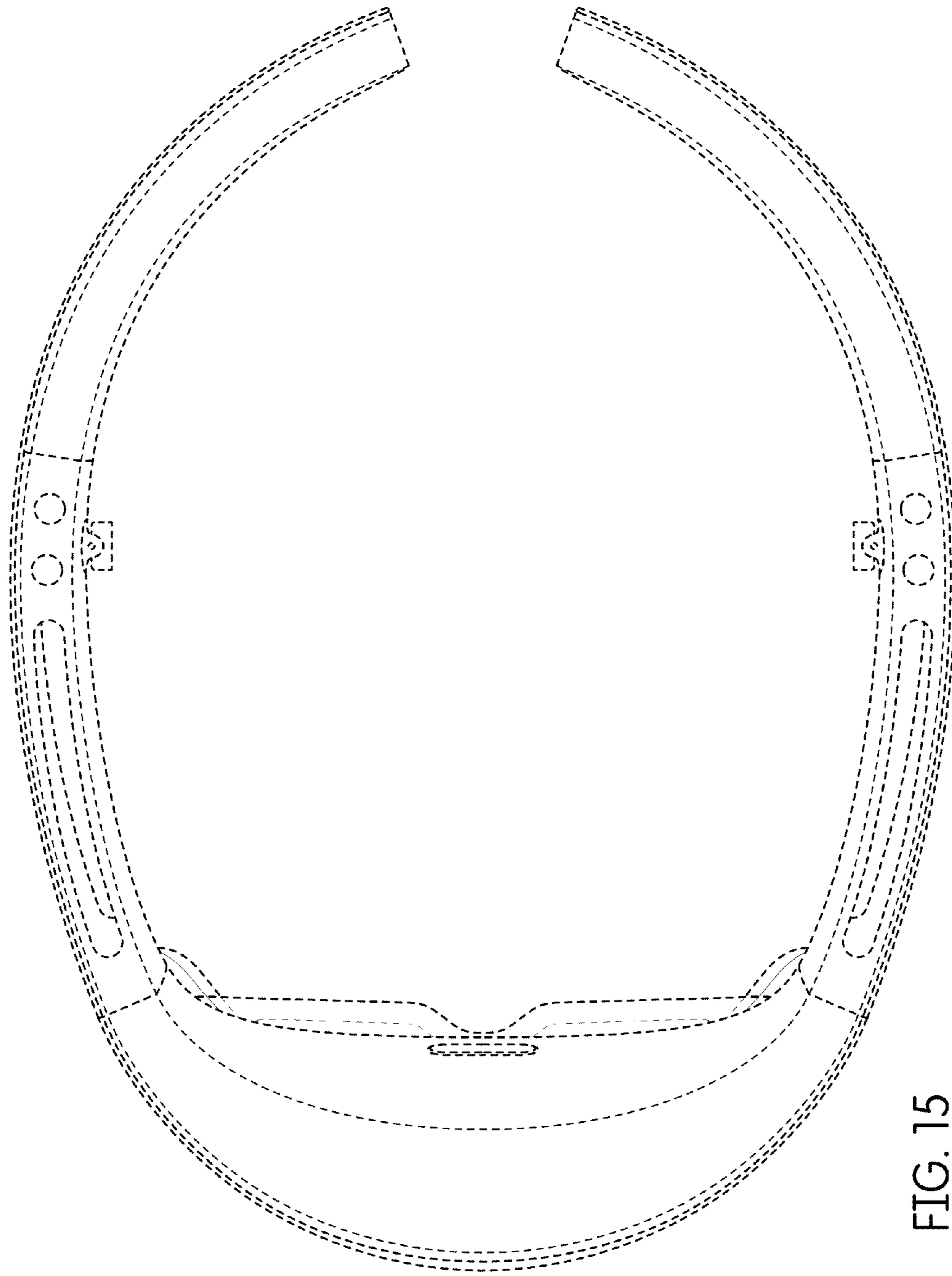


FIG. 15

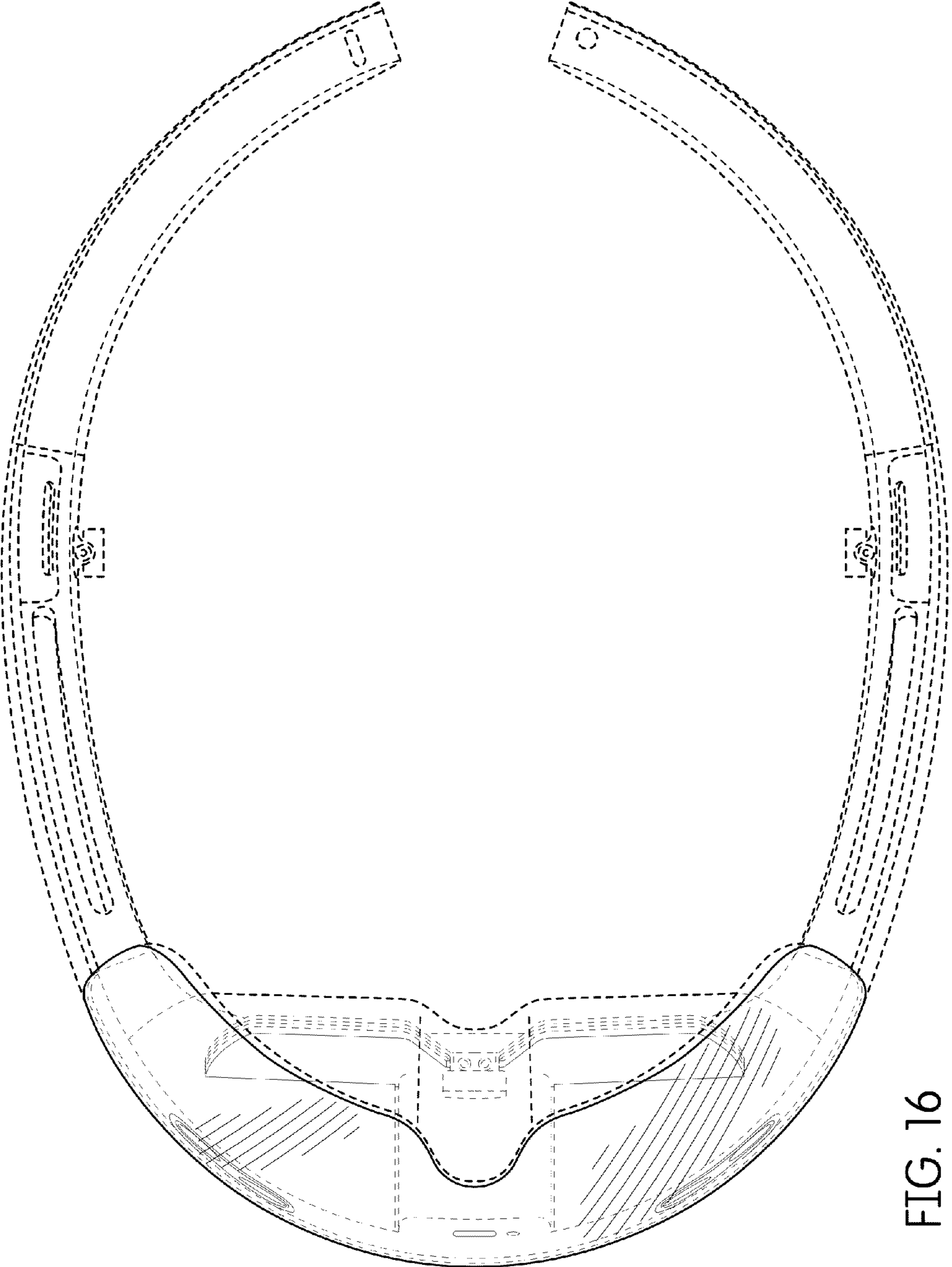


FIG. 16