



US00D741856S

(12) **United States Design Patent**  
**Yamazaki et al.**

(10) **Patent No.:** **US D741,856 S**  
(45) **Date of Patent:** **\*\* Oct. 27, 2015**

(54) **PORTABLE INFORMATION TERMINAL**

(71) Applicant: **SEMICONDUCTOR ENERGY LABORATORY CO., LTD.**, Atsugi-shi, Kanagawa-ken (JP)

(72) Inventors: **Shunpei Yamazaki**, Tokyo (JP); **Kensuke Yoshizumi**, Kanagawa (JP)

(73) Assignee: **Semiconductor Energy Laboratory Co., Ltd.**, Kanagawa-ken (JP)

(\*\*) Term: **14 Years**

(21) Appl. No.: **29/478,747**

(22) Filed: **Jan. 8, 2014**

(30) **Foreign Application Priority Data**

Jul. 12, 2013 (JP) ..... 2013-015980

(51) **LOC (10) Cl.** ..... **14-02**

(52) **U.S. Cl.**  
USPC ..... **D14/345**; D14/341

(58) **Field of Classification Search**

USPC ..... D14/315–318, 341–344, 129, 130, 496, D14/137, 138 R, 138 AA, 138 C, 138 G, D14/138 AB, 147, 203.1, 203.3, 203.4, D14/203.7, 247, 389; D6/300–302, 308, D6/310, 312, 33; D18/6, 7; D21/324, 329, D21/330, 332, 478–480, 484, 491, 492, D21/500–502; 455/556.2, 566; 379/916, 379/433.04, 433.1; 345/901, 905, 173; 361/679.26, 679.3, 679.55, 679.56; D25/48.4, 58; 297/17, 16.1, 45; D20/10, 21; 52/234; 160/118  
CPC ... G06F 1/1616; G06F 1/1652; G06F 1/1647; G06F 1/1618; G06F 1/1641; H04M 1/0216; H04M 1/0268; H04M 1/0214; H04M 1/0247; A47G 1/065; A47G 5/00; A47G 1/04; G09G 2300/023

See application file for complete search history.

(56) **References Cited**

**U.S. PATENT DOCUMENTS**

715,376 A \* 12/1902 Harper ..... 40/733  
3,292,285 A \* 12/1966 Kitayama ..... 40/701

(Continued)

**FOREIGN PATENT DOCUMENTS**

KR 30-0473786 12/2007  
TW D149341 9/2012

**OTHER PUBLICATIONS**

Bendable OLED panel (GEEK), available Jun. 6, 2014, [online], [site visited May 7, 2015]. Available from internet, <URL: <http://www.geek.com/mobile/bendable-oled-display-can-withstand-100000-folds-1596020/>>.\*

(Continued)

*Primary Examiner* — Cathron Brooks

*Assistant Examiner* — Teddy Falloway

(74) *Attorney, Agent, or Firm* — Nixon Peabody LLP; Jeffrey L. Costellia

(57) **CLAIM**

We claim, the ornamental design for a portable information terminal, as shown and described.

**DESCRIPTION**

FIG. 1 is a front view of a portable information terminal showing our new design;

FIG. 2 is a rear view thereof;

FIG. 3 is a right side view thereof;

FIG. 4 is a left side view thereof;

FIG. 5 is a top plan view thereof;

FIG. 6 is a bottom plan view thereof;

FIG. 7 is a bottom right side perspective view thereof;

FIG. 8 is a bottom right side perspective view thereof in a state where the portable information terminal is partly bent;

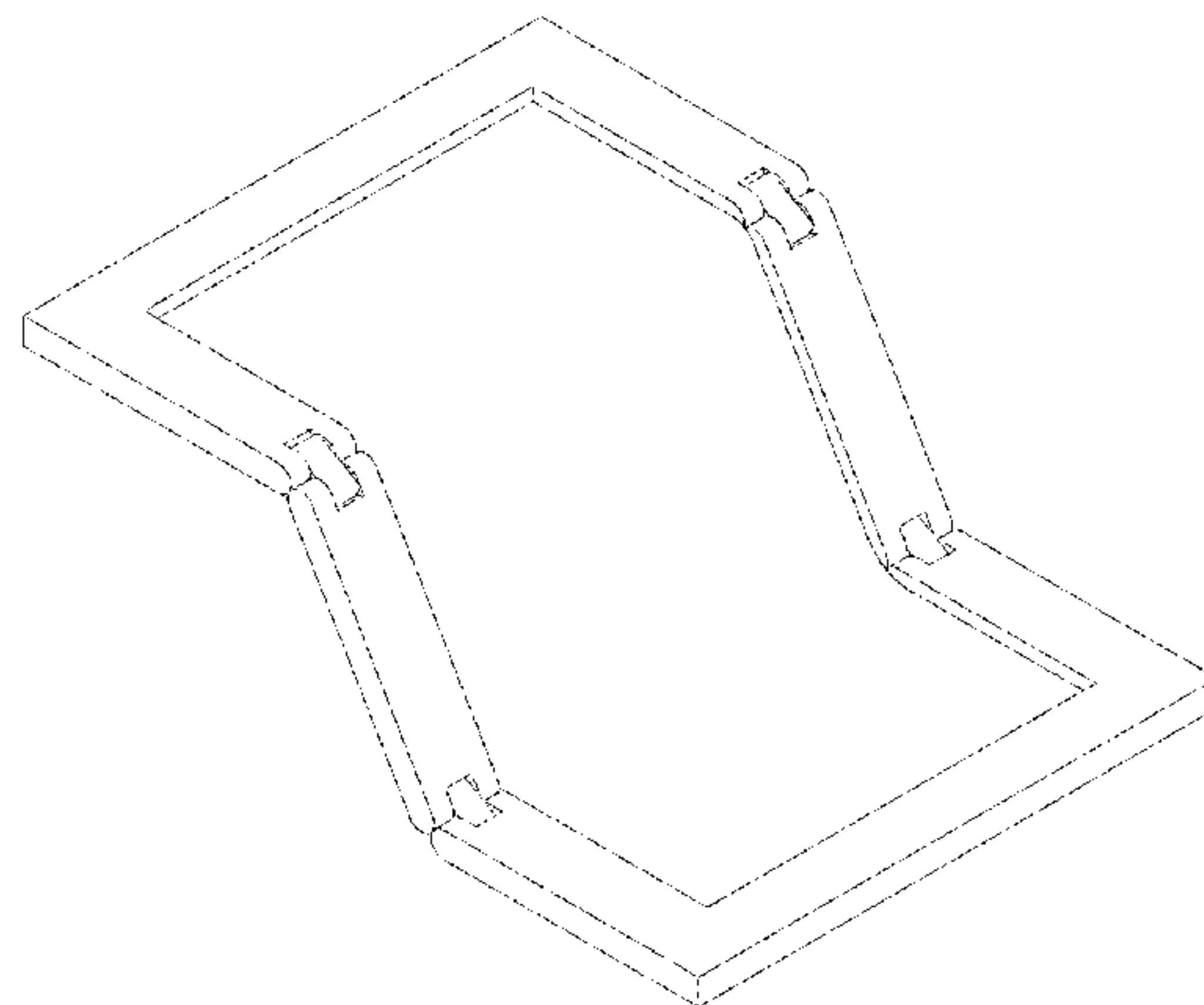
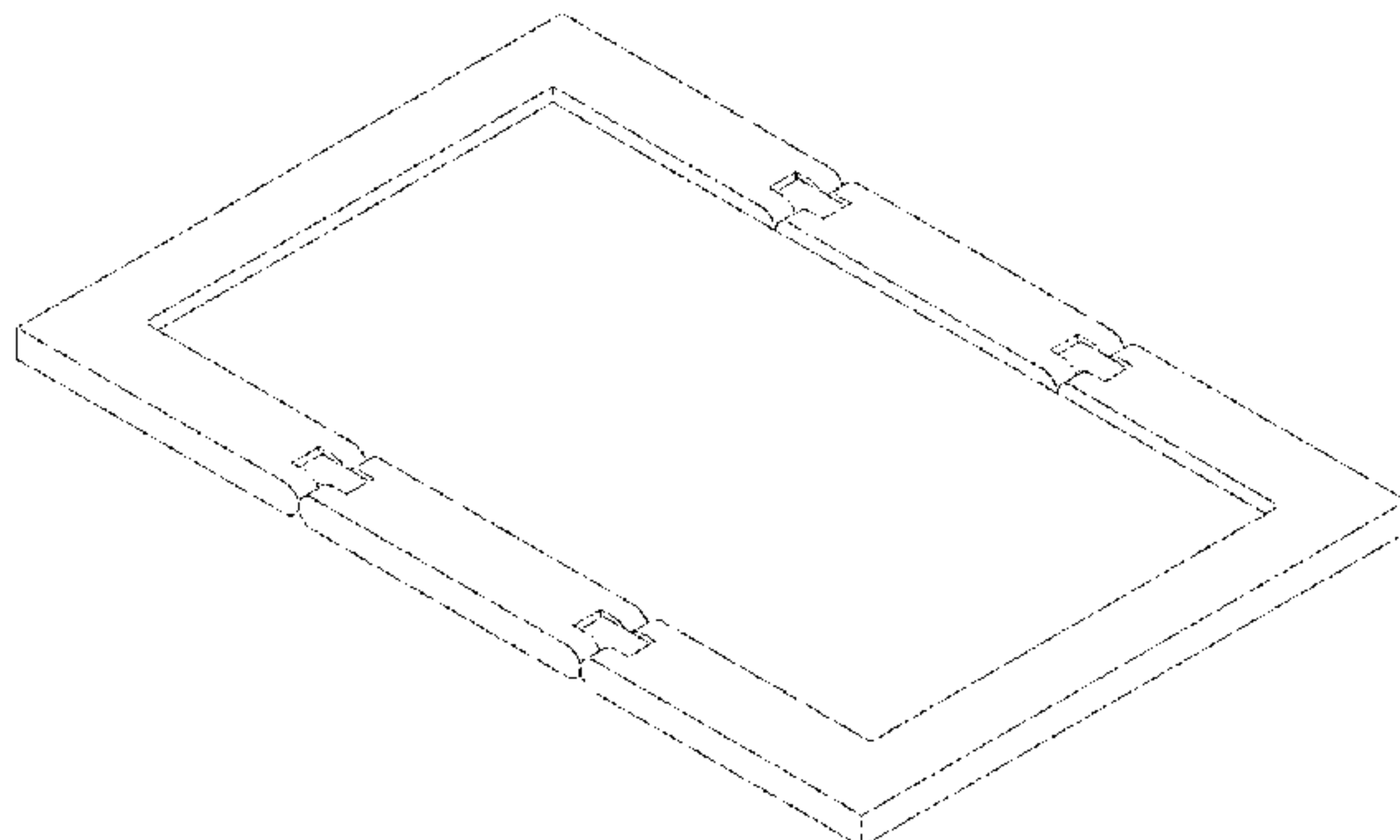
FIG. 9 is a bottom right side perspective view thereof in a state where the portable information terminal is folded; and,

FIG. 10 is a top left side perspective view thereof in a state where the portable information terminal is folded.

The portable information terminal includes a flexible display screen that can be used while in a bent state.

The portable information terminal can function as a computer, a media reproducing device (e.g., a music player, a movie player, or a game player), a media storage device, a communication device (e.g., a mobile phone), or the like, for example.

**1 Claim, 6 Drawing Sheets**



(56)

## References Cited

## U.S. PATENT DOCUMENTS

- 4,106,544 A \* 8/1978 Dixon et al. .... 160/199  
D357,707 S \* 4/1995 Moore ..... D20/10  
D370,129 S \* 5/1996 Freudenfeld ..... D6/301  
5,626,926 A \* 5/1997 Roberts ..... 428/14  
D406,468 S \* 3/1999 Byers ..... D6/312  
5,887,373 A \* 3/1999 Byers ..... 40/733  
D415,619 S \* 10/1999 Gandy ..... D6/301  
D424,971 S \* 5/2000 Churchville ..... D11/132  
D426,391 S \* 6/2000 Rowan ..... D6/332  
6,353,529 B1 \* 3/2002 Cies ..... 361/679.05  
6,421,942 B1 \* 7/2002 Galello ..... 40/738  
D477,634 S \* 7/2003 Malone ..... D19/26  
6,637,139 B1 \* 10/2003 Chan ..... 40/725  
D483,575 S \* 12/2003 Chan ..... D6/310  
D514,826 S \* 2/2006 Sakaguchi ..... D6/312  
D543,707 S \* 6/2007 Chan ..... D6/312  
D544,922 S \* 6/2007 Shaffer ..... D20/10  
D552,851 S \* 10/2007 Abrahamian ..... D6/301  
D572,024 S \* 7/2008 Shapiro ..... D6/301  
7,469,961 B2 \* 12/2008 Liu ..... 297/16.1  
D590,365 S \* 4/2009 Kim et al. .... D14/138 AB  
7,522,944 B2 \* 4/2009 Hyun et al. .... 455/575.1  
D594,028 S \* 6/2009 Fuchsberg et al. .... D14/496  
7,920,320 B2 \* 4/2011 Watson et al. .... 359/296  
8,005,522 B2 \* 8/2011 Ou ..... 455/575.3  
D653,226 S \* 1/2012 Nara ..... D14/138 AB  
8,393,749 B1 \* 3/2013 Daicos ..... 362/142  
D694,754 S \* 12/2013 Nakada ..... D14/373  
8,605,421 B2 \* 12/2013 Verschoor et al. .... 361/679.3  
8,971,031 B2 \* 3/2015 Mok et al. .... 361/679.27  
9,013,864 B2 \* 4/2015 Griffin et al. .... 361/679.21  
2003/0217817 A1 \* 11/2003 Niehausmeier ..... 160/118  
2004/0212602 A1 \* 10/2004 Nako et al. .... 345/173  
2006/0146488 A1 \* 7/2006 Kimmel ..... 361/681  
2010/0064564 A1 \* 3/2010 Bemelmans et al. .... 40/607.01  
2010/0157518 A1 \* 6/2010 Ladouceur et al. .... 361/679.09  
2010/0201604 A1 \* 8/2010 Kee et al. .... 345/1.3  
2011/0241998 A1 \* 10/2011 McKinney et al. .... 345/168  
2011/0242026 A1 \* 10/2011 Ishigaki ..... 345/173  
2012/0001858 A1 \* 1/2012 Matsuda et al. .... 345/173  
2012/0002360 A1 \* 1/2012 Seo et al. .... 361/679.01  
2012/0044620 A1 \* 2/2012 Song et al. .... 361/679.01  
2012/0206896 A1 \* 8/2012 Suzuki et al. .... 361/807  
2012/0264489 A1 \* 10/2012 Choi et al. .... 455/566  
2013/0053100 A1 \* 2/2013 Song et al. .... 455/556.1  
2013/0307805 A1 \* 11/2013 Arai ..... 345/173  
2013/0307816 A1 \* 11/2013 Lee et al. .... 345/174  
2013/0342090 A1 \* 12/2013 Ahn et al. .... 312/258  
2014/0003006 A1 \* 1/2014 Ahn ..... 361/749  
2014/0054935 A1 \* 2/2014 Loney ..... 297/16.1  
2014/0111954 A1 \* 4/2014 Lee et al. .... 361/749  
2014/0213324 A1 \* 7/2014 Tan et al. .... 455/566  
2014/0218321 A1 \* 8/2014 Lee et al. .... 345/173  
2014/0240264 A1 \* 8/2014 Im et al. .... 345/173  
2014/0319550 A1 \* 10/2014 Yamazaki et al. .... 257/88  
2014/0347806 A1 \* 11/2014 Totani ..... 361/679.27  
2015/0055287 A1 \* 2/2015 Seo ..... 361/679.27  
2015/0062028 A1 \* 3/2015 Go et al. .... 345/173  
2015/0062927 A1 \* 3/2015 Hirakata et al. .... 362/362  
2015/0116917 A1 \* 4/2015 Aono ..... 361/679.04

## OTHER PUBLICATIONS

OLED folding screen (OH GIZMO!), available Nov. 3, 2014, [online], [site visited May 7, 2015]. Available from internet, <URL: <http://www.ohgizmo.com/2014/11/03/prototype-oled-screen-can-fold-thirds/>>.\*

Feno notebook (Yanko Design), available May 2, 2011, [online], [site visited May 13, 2015]. Available from internet, <URL: <http://www.yankodesign.com/2011/05/02/a-different-kind-of-fold/>>.\*

Flexbook (designboom), available May 11, 2011, [online], [site visited May 13, 2015]. Available from internet, <URL: <http://www.designboom.com/design/flexbook-by-hao-chun-huang-fujitsu-design-award-2011-competition-shortlisted-entry/>>.\*

Kyocera EOS (engadget), available Apr. 16, 2009, [online], [site visited May 13, 2015]. Available from internet, <URL: <http://www.engadget.com/2009/04/16/kyocera-shows-off-preposterous-beautiful-eos-folding-oled-phone/>>.\*

iPhone flexible concepts (Concept Phones), available Apr. 30, 2012, [online], [site visited May 13, 2015]. Available from internet, <URL: <http://www.concept-phones.com/apple/seamless-flexible-display-iphone-concepts-ace-jockey/>>.\*

Foldable Display (OH GIZMO!), available Jan. 8, 2009, [online], [site visited May 7, 2015]. Available from internet, <URL: <http://www.ohgizmo.com/2009/01/08/ces-2009-oled-association-shows-off-a-bunch-of-cool-toys-including-the-worlds-first-foldable-amoled-display/>>.\*

Schott Flexible Glass, available Dec. 19, 2012, [online], [site visited May 13, 2015]. Available from internet, <URL: [http://www.us.schott.com/advanced\\_optics/english/products/wafers-and-thin-glass/glass-wafer-and-substrates/ultra-thin-glass/index.html](http://www.us.schott.com/advanced_optics/english/products/wafers-and-thin-glass/glass-wafer-and-substrates/ultra-thin-glass/index.html)>.\*

Yoshiharu, et al., "Image Display Device", U.S. Appl. No. 29/478,750, filed Jan. 8, 2014, Specification and Drawings.

Yamazaki et al., "Portable Information Terminal", U.S. Appl. No. 29/478,765, filed Jan. 8, 2014, Filing Receipt, Specification and Drawings.

Yamazaki, et al., "Portable Information Terminal", U.S. Appl. No. 29/478,786, filed Jan. 8, 2014, Filing Receipt, Specification and Drawings.

Yamazaki, et al. "Portable Information Terminal", U.S. Appl. No. 29/478,760, filed Jan. 8, 2014, Filing Receipt, Specification and Drawings.

\* cited by examiner



Fig.1

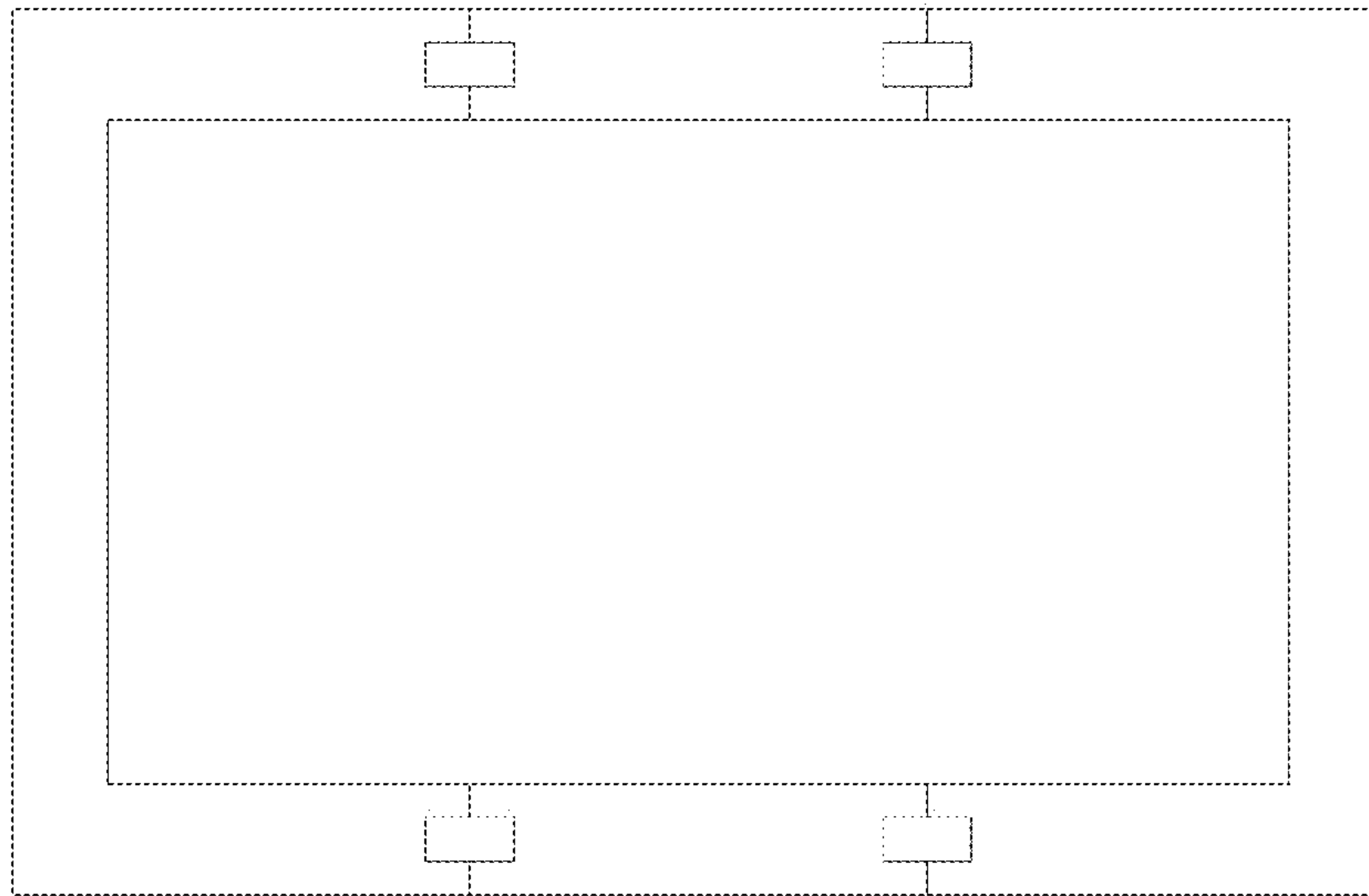


Fig.2

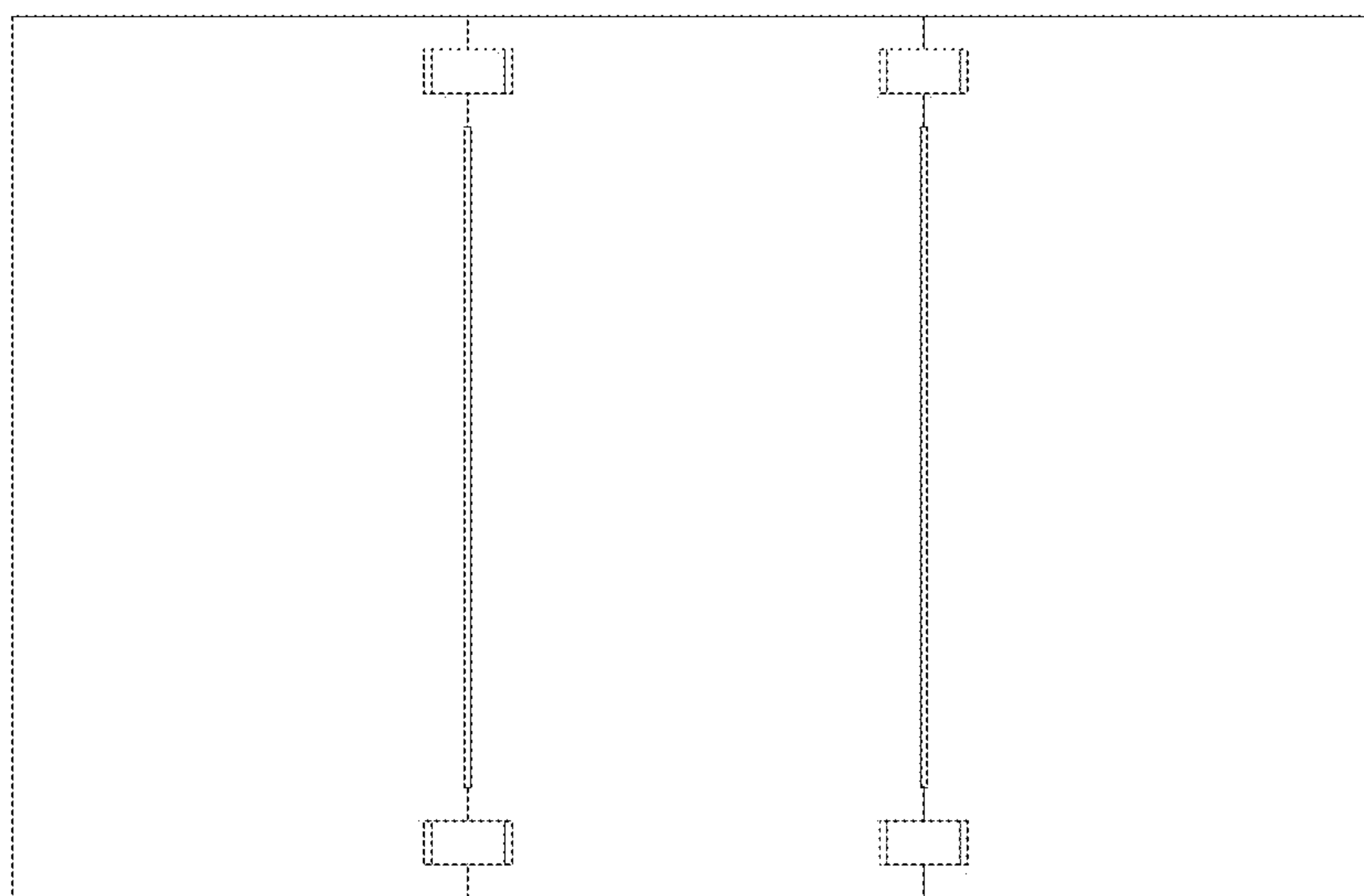


Fig. 3



Fig. 4

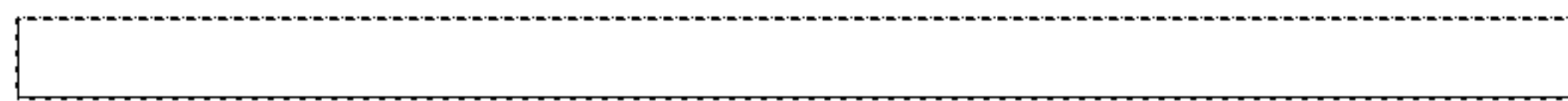


Fig. 5

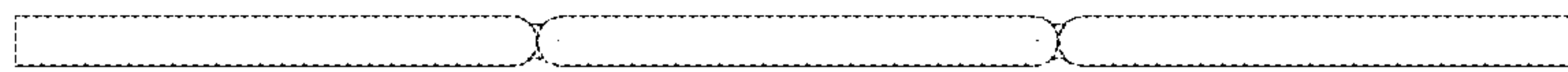


Fig. 6

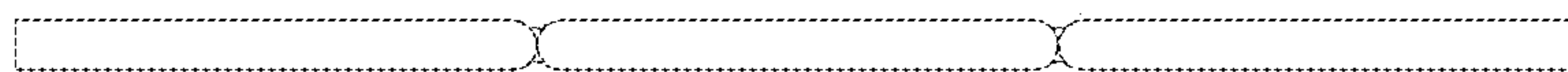


Fig. 7

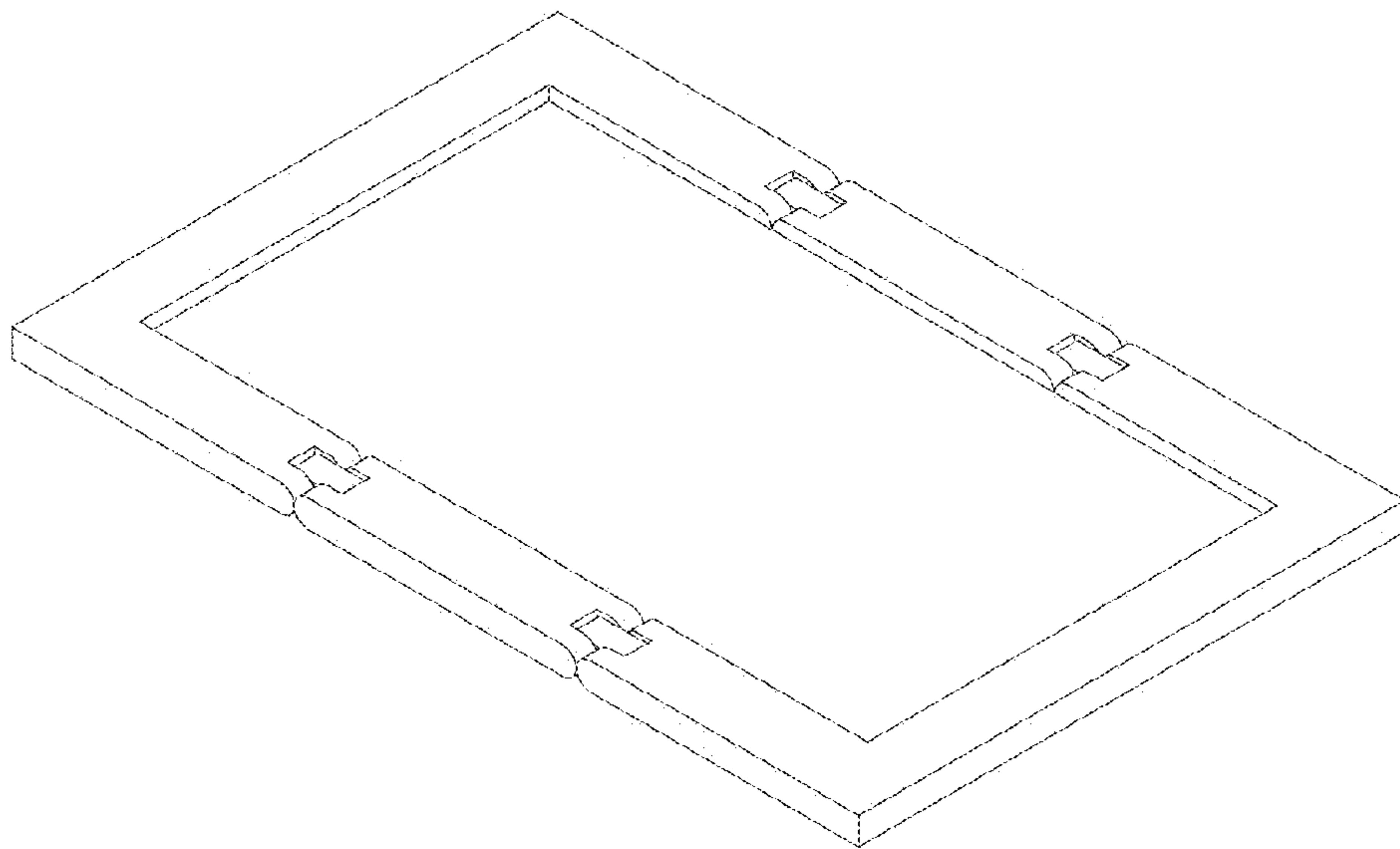


Fig. 8

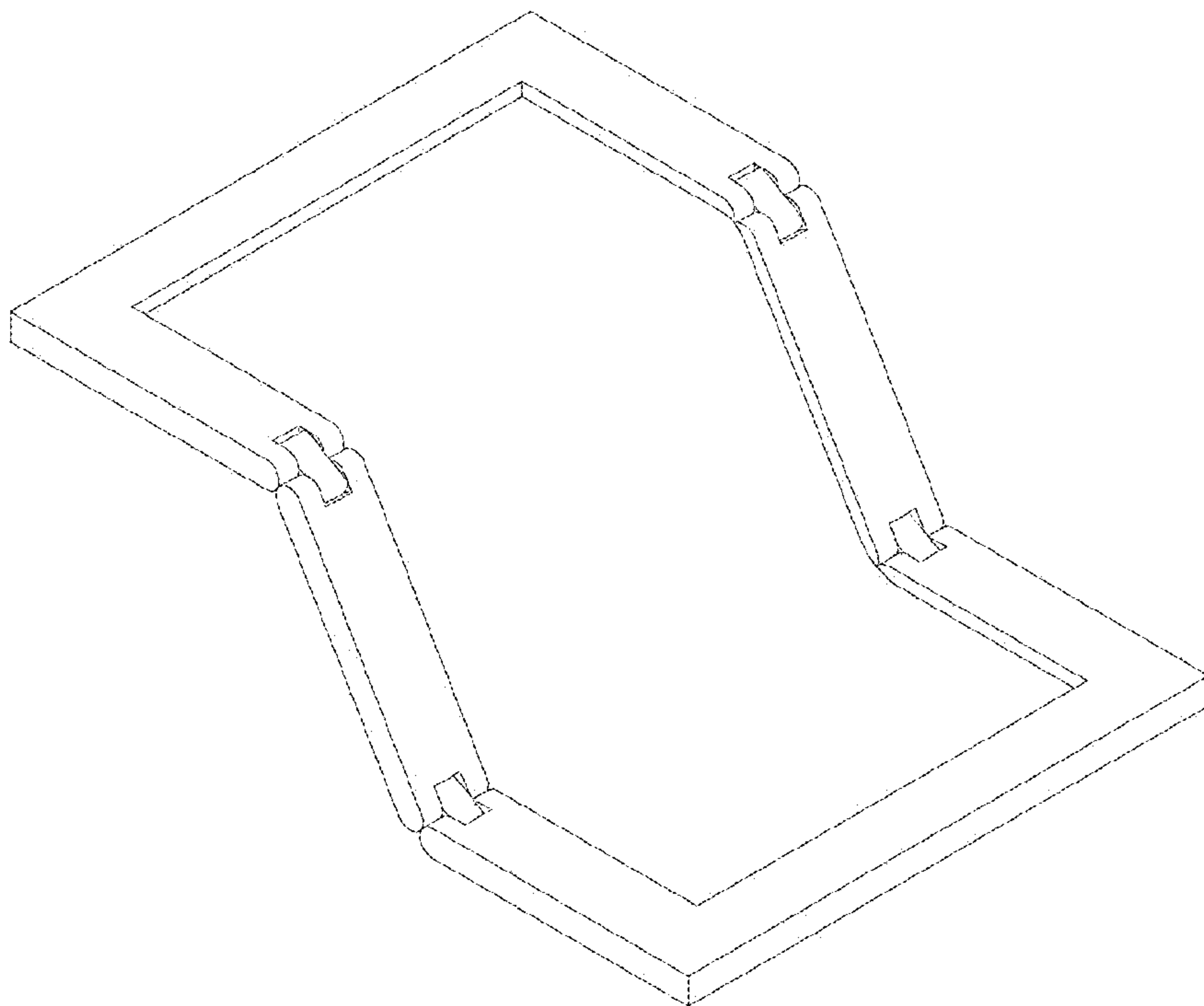


Fig. 9

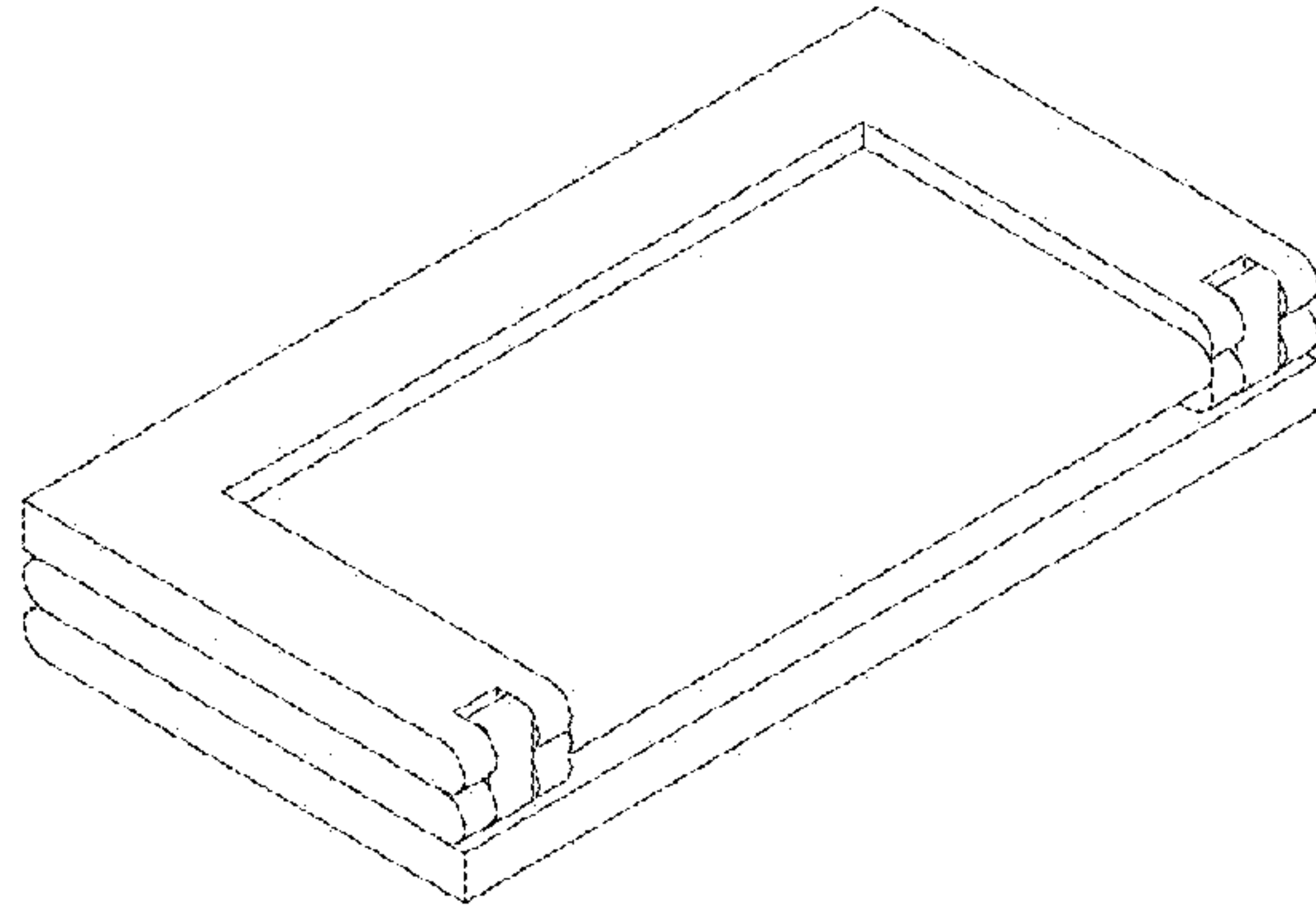


Fig. 10

