



US00D741855S

(12) **United States Design Patent**
Park et al.

(10) **Patent No.:** **US D741,855 S**

(45) **Date of Patent:** **** Oct. 27, 2015**

(54) **SMART WATCH**

(71) Applicant: **Samsung Electronics Co., Ltd.**,
Suwon-si (KR)

(72) Inventors: **Sang-II Park**, Namyangju-Si (KR);
Se-O Lee, Sungname-Si (KR)

(73) Assignee: **Samsung Electronics Co., Ltd.**,
Suwon-si (KR)

(**) Term: **14 Years**

(21) Appl. No.: **29/472,984**

(22) Filed: **Nov. 18, 2013**

(30) **Foreign Application Priority Data**

May 16, 2013 (KR) 30-2013-0025857

(51) **LOC (10) Cl.** **14-02**

(52) **U.S. Cl.**
USPC **D14/344**

(58) **Field of Classification Search**

USPC D10/15, 28, 30-32, 38, 39, 128, 132;
D11/3, 4, 200; D14/138 R, 144, 344;
D18/4.5; D24/187; 63/9; 224/170, 219;
368/10, 69, 82 X, 276, 281-283, 316;
455/575.6; 600/595

CPC .. A61B 5/681; H01H 2209/018; H04W 4/027
See application file for complete search history.

(56) **References Cited**

U.S. PATENT DOCUMENTS

D342,208 S * 12/1993 Tsukada et al. D10/30
5,418,760 A * 5/1995 Kawashima et al. 368/69
D567,676 S * 4/2008 Tang D10/32
D576,501 S * 9/2008 Tang D10/32
D626,435 S * 11/2010 Tanaka et al. D10/31
D638,723 S * 5/2011 Ong D10/32
D703,069 S * 4/2014 Adams et al. D10/31

D714,179 S * 9/2014 Park et al. D11/3
D721,701 S * 1/2015 Al-Nasser D14/344
D722,894 S * 2/2015 Vondle et al. D10/32
2011/0053666 A1 * 3/2011 Kang et al. 455/575.6
2014/0197946 A1 * 7/2014 Park et al. 340/539.11
2014/0316305 A1 * 10/2014 Venkatraman et al. 600/595

OTHER PUBLICATIONS

Tizen Experts. Tizen Samsung Gear S Gets Shown Off in Official Video. Sep. 4, 2014 [online], [site visited Jun. 2, 2015], Available from Internet, <URL:http://www.tizenexperts.com/2014/09/tizen-samsung-gear-s-gets-shown-off-in-official-video/>.*

* cited by examiner

Primary Examiner — Robert M Spear
Assistant Examiner — Darcey E Heflin

(74) *Attorney, Agent, or Firm* — NSIP Law

(57) **CLAIM**

The ornamental design for a smart watch, as shown and described.

DESCRIPTION

FIG. 1 is a front perspective view of a smart watch showing our new design;

FIG. 2 is a front view thereof;

FIG. 3 is a rear view thereof;

FIG. 4 is a left-side view thereof;

FIG. 5 is a right-side view thereof;

FIG. 6 is a top view thereof;

FIG. 7 is a bottom view thereof;

FIG. 8 is another front view of the smart watch in which an inner band feature in broken line is provided to illustrate an example expanded state; and,

FIG. 9 is a bottom perspective view in which the smart watch is shown in an open position.

The broken lines are for environmental purposes only and form no part of the claimed design.

1 Claim, 7 Drawing Sheets

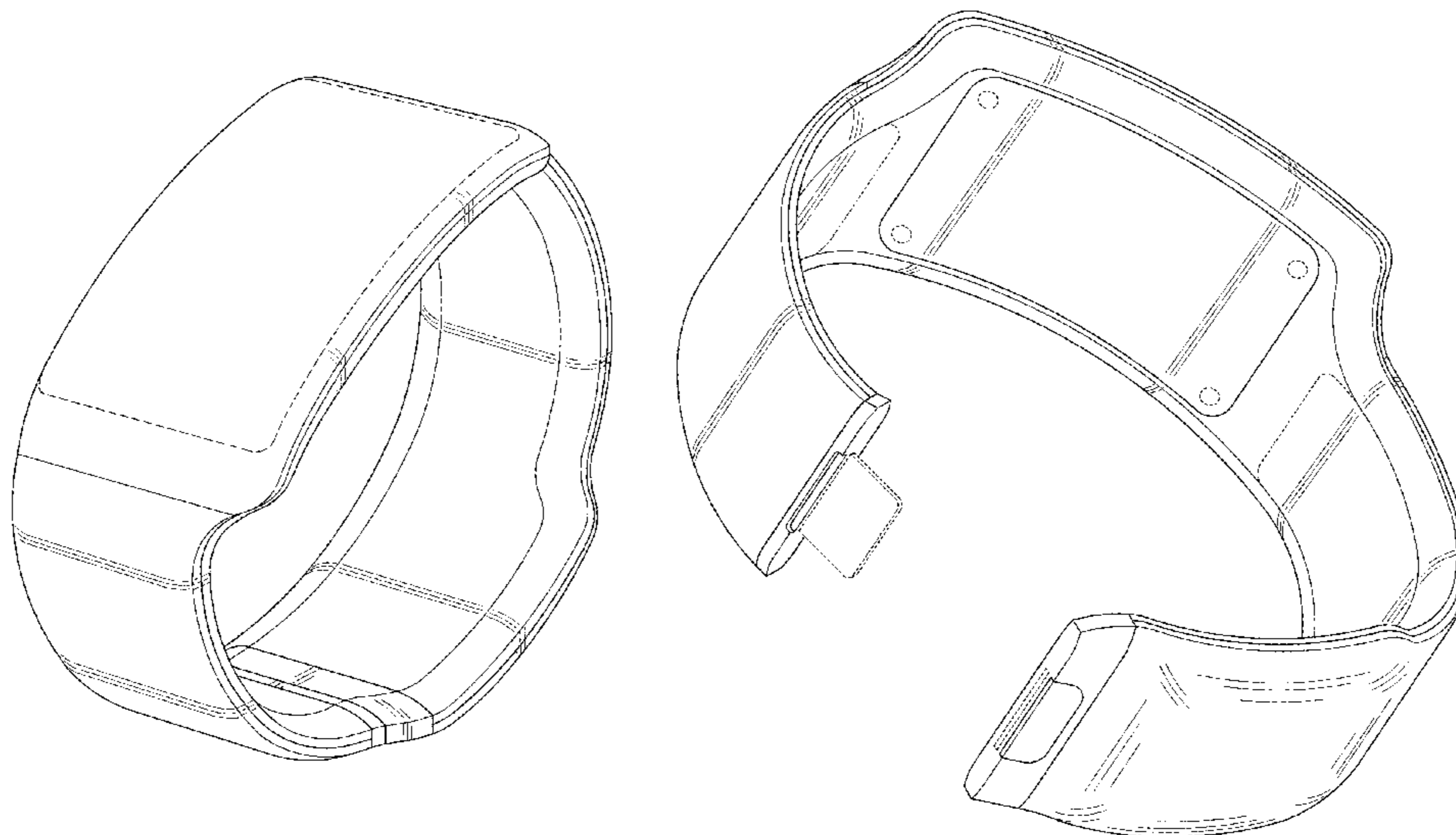


FIG. 1

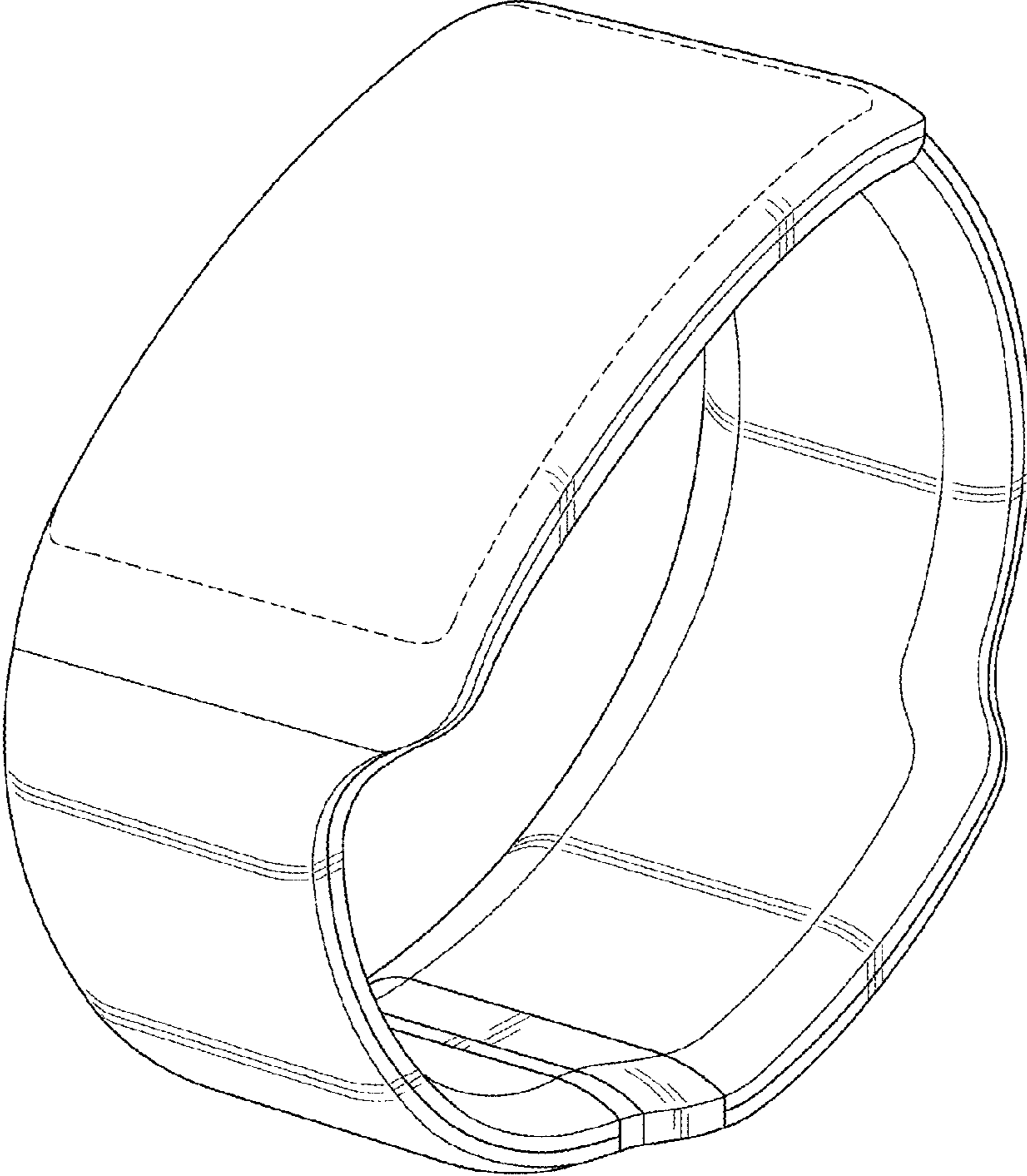


FIG. 2

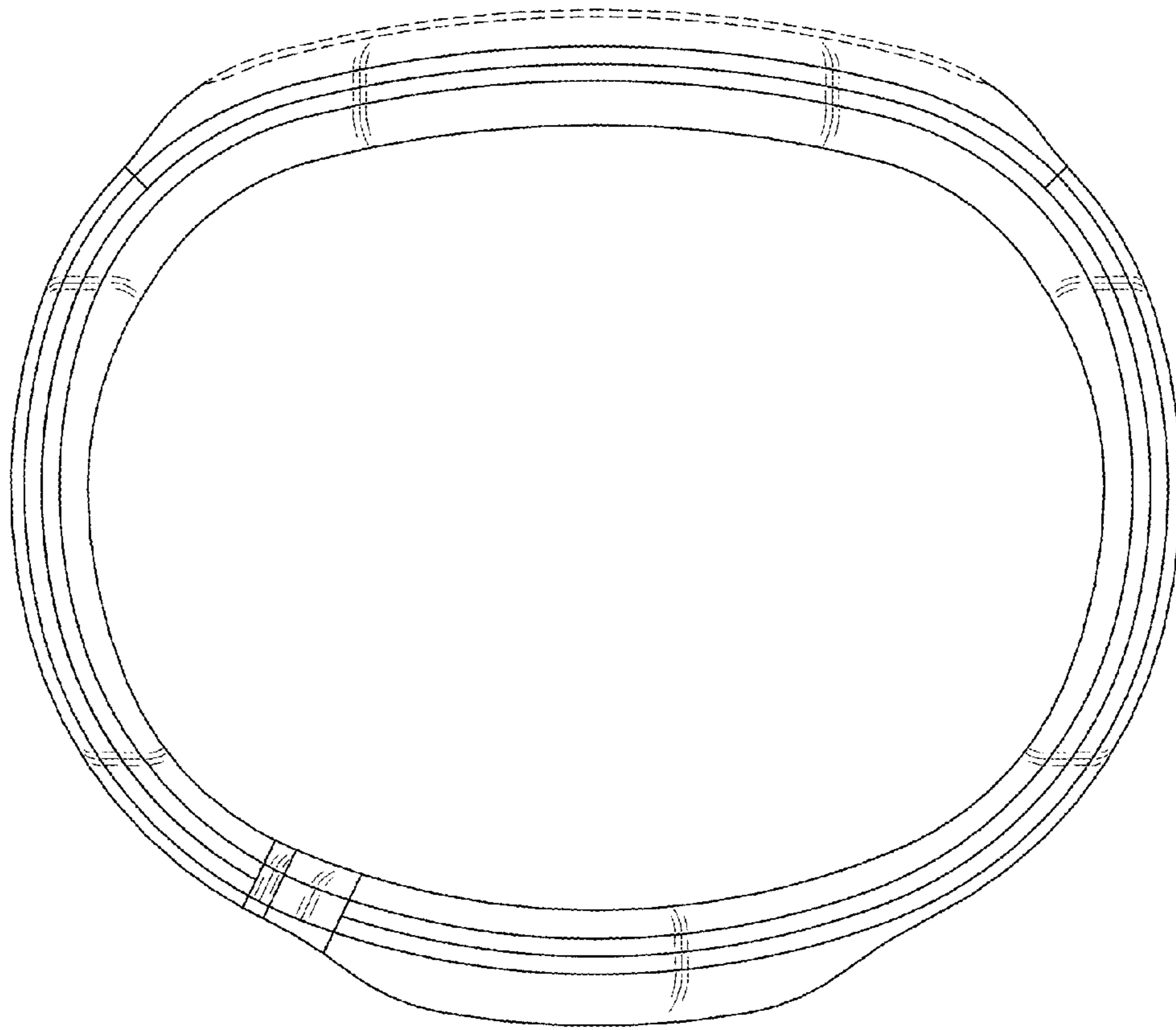


FIG. 3

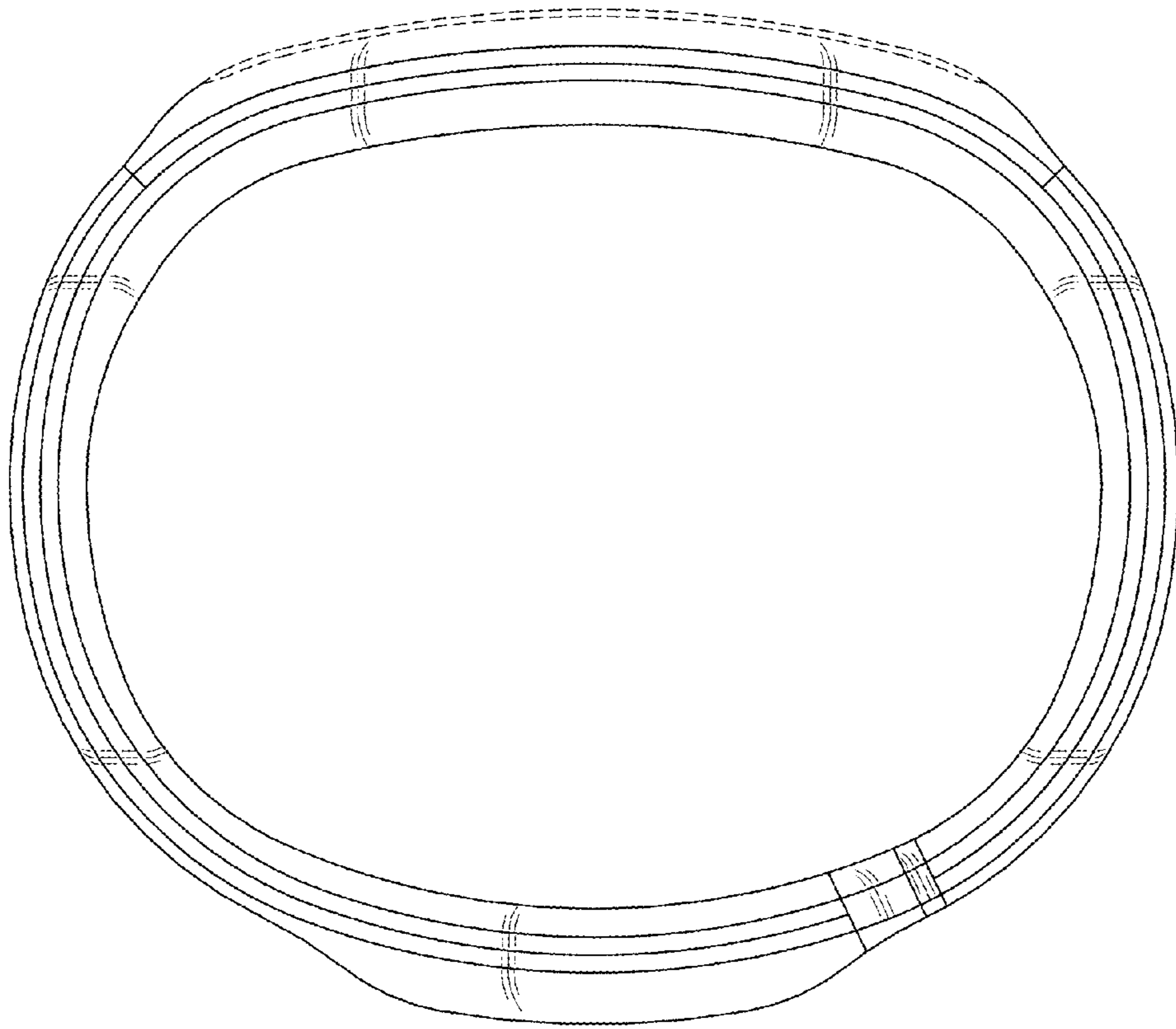


FIG. 4

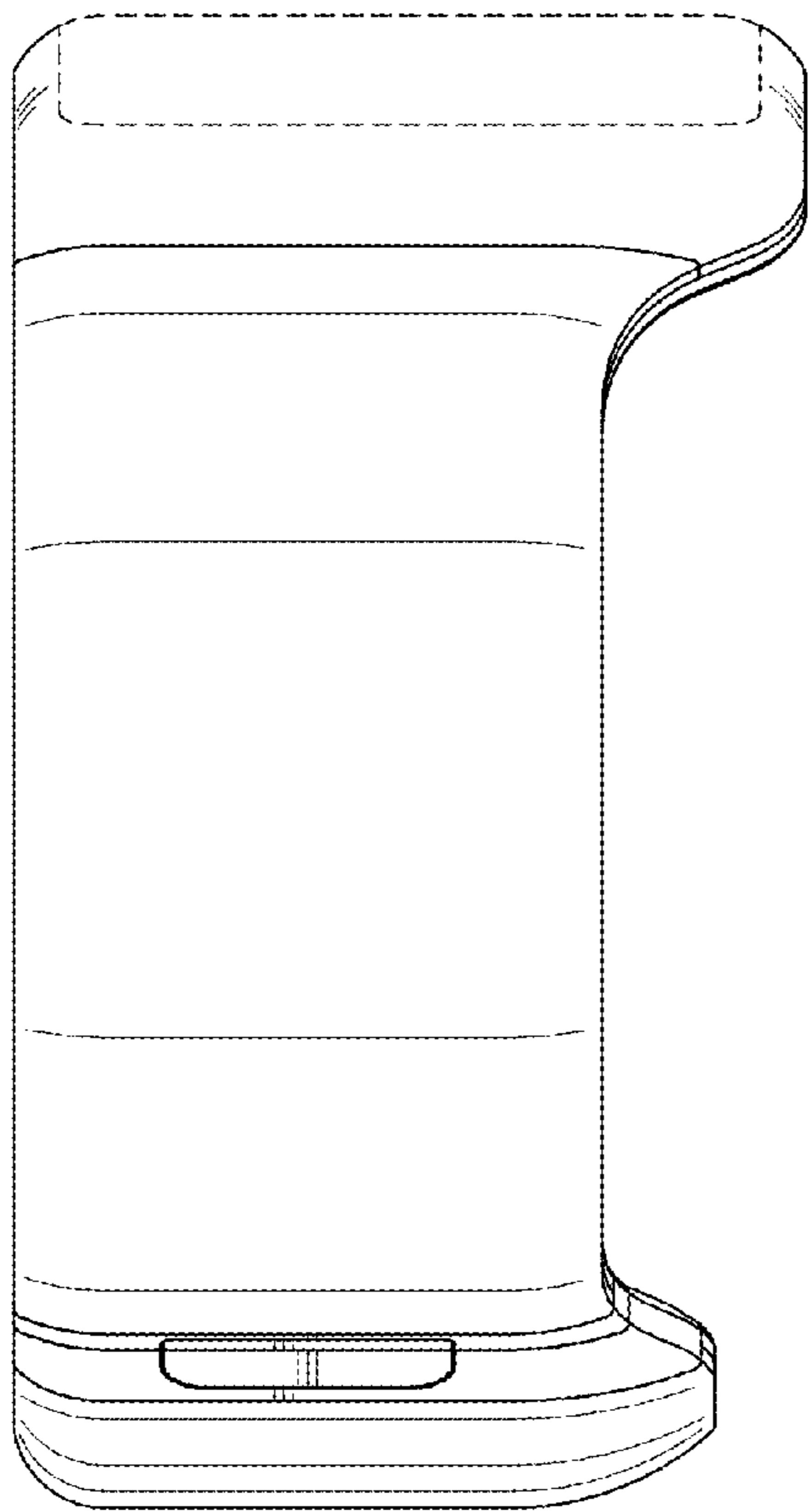


FIG. 5

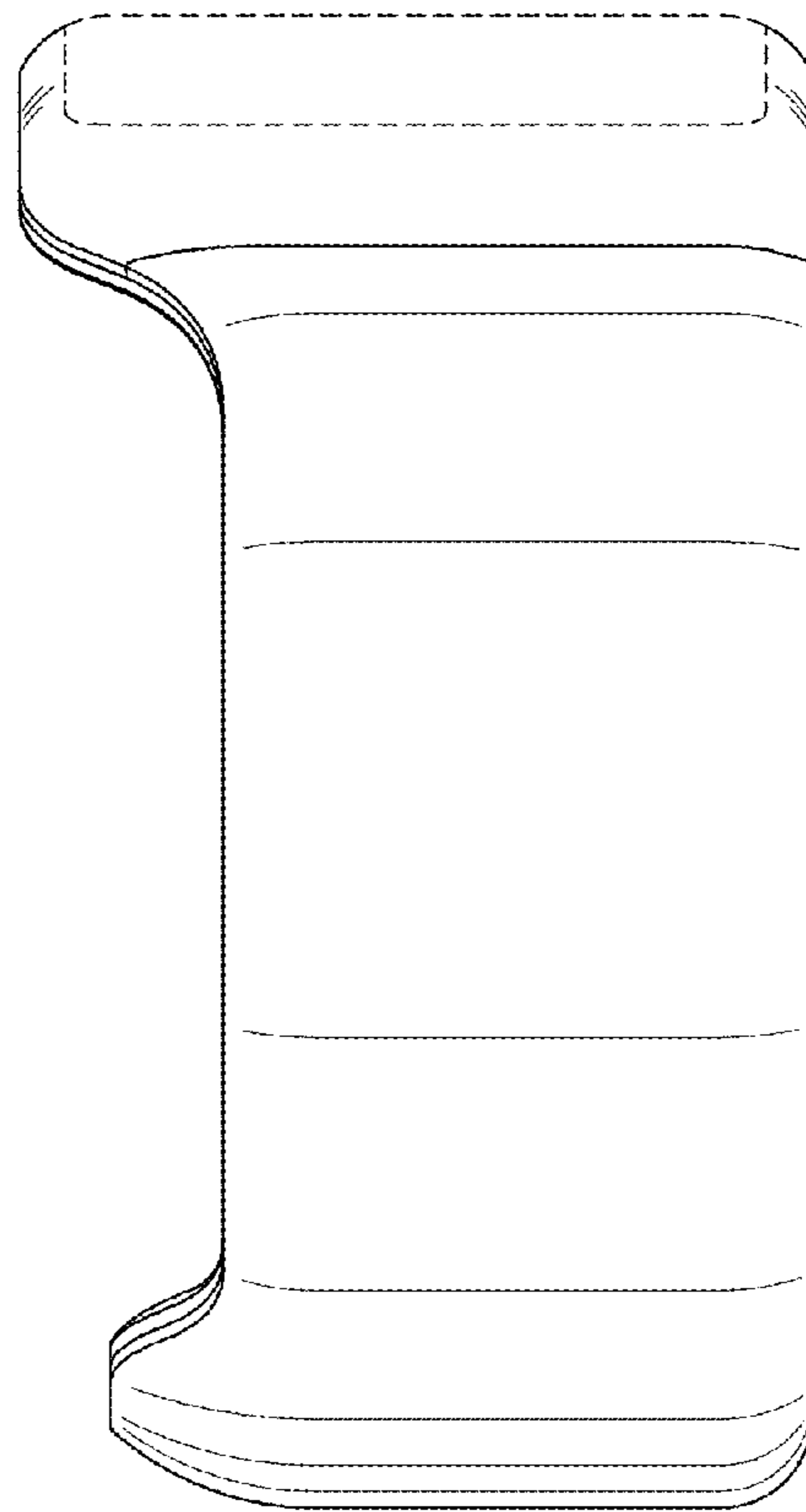


FIG. 6

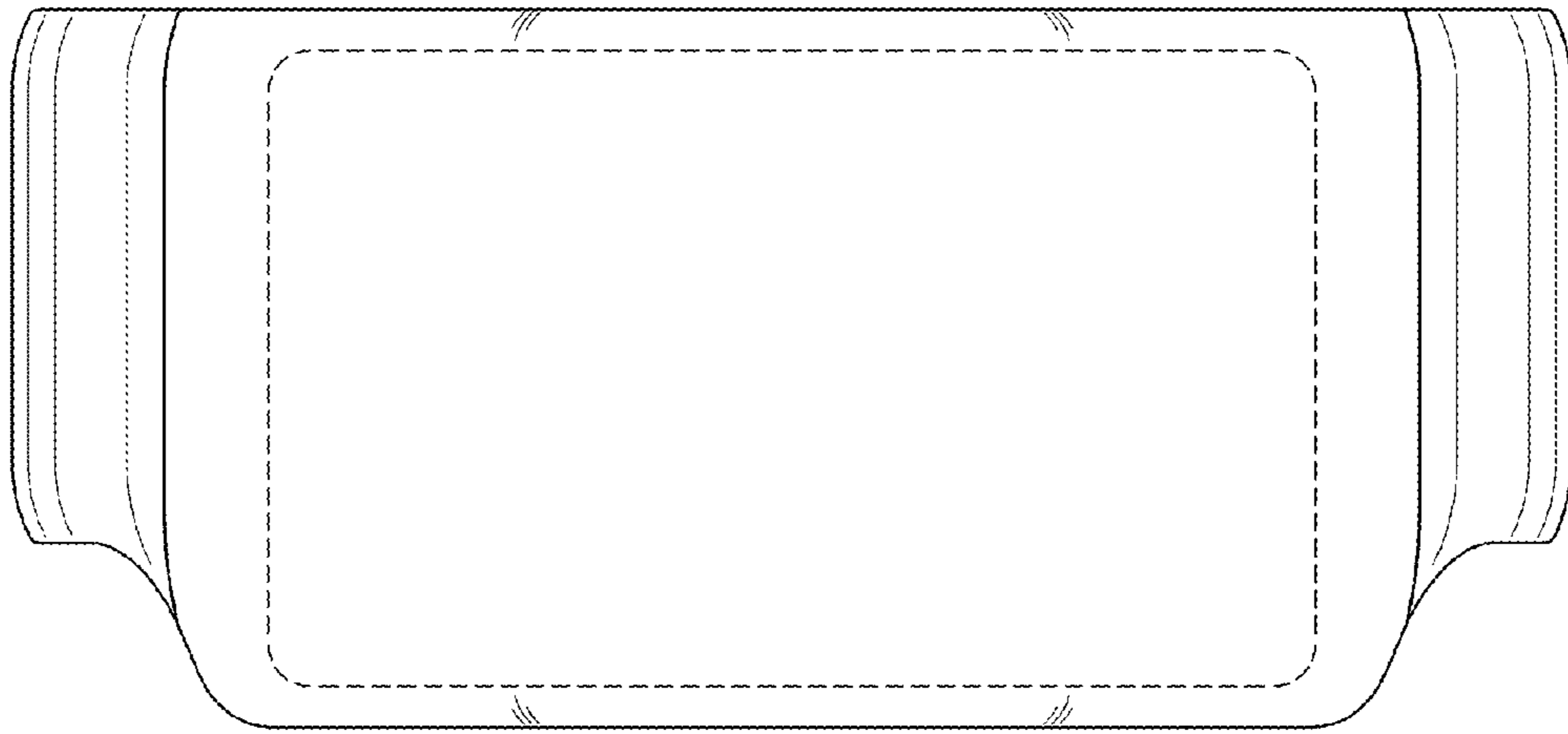


FIG. 7

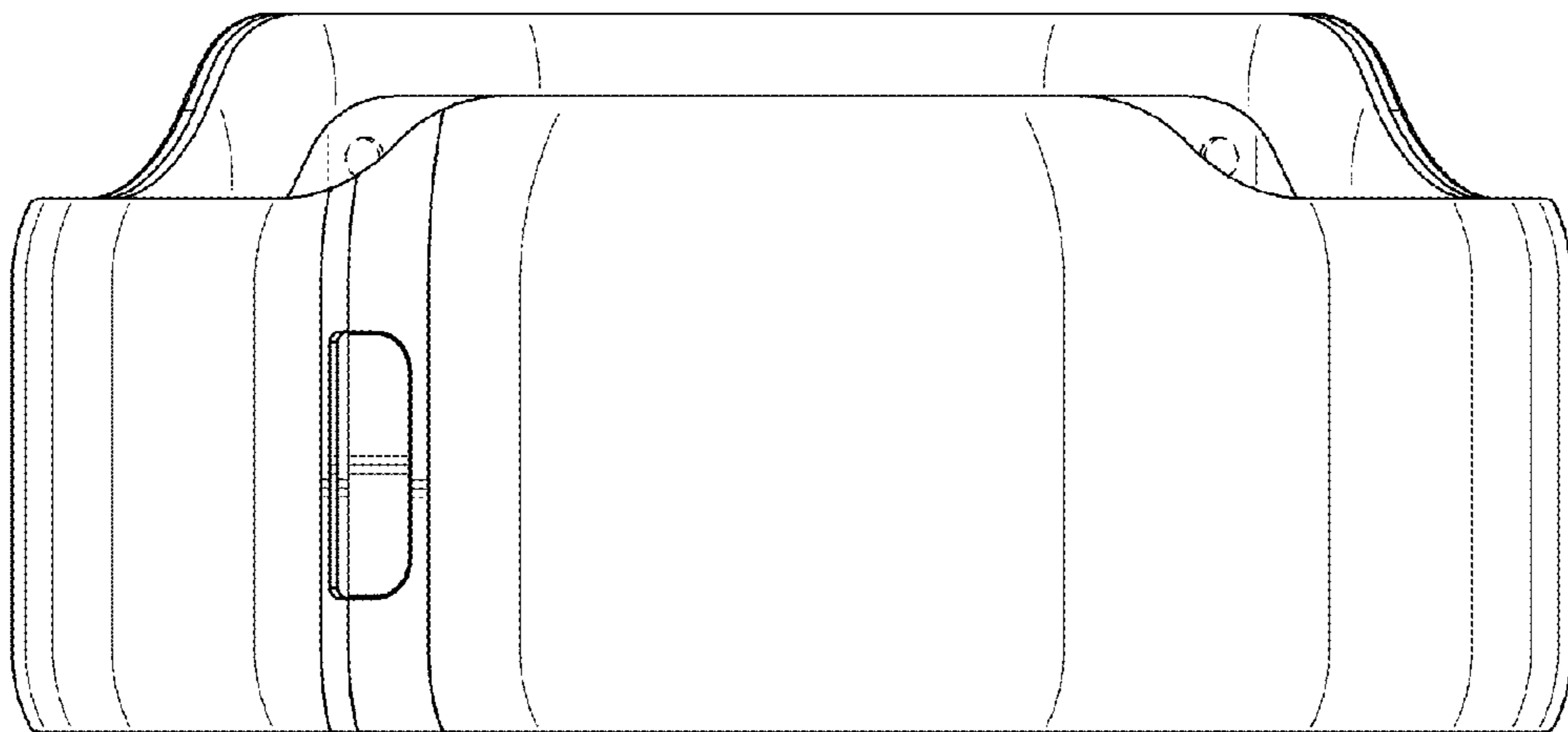


FIG. 8

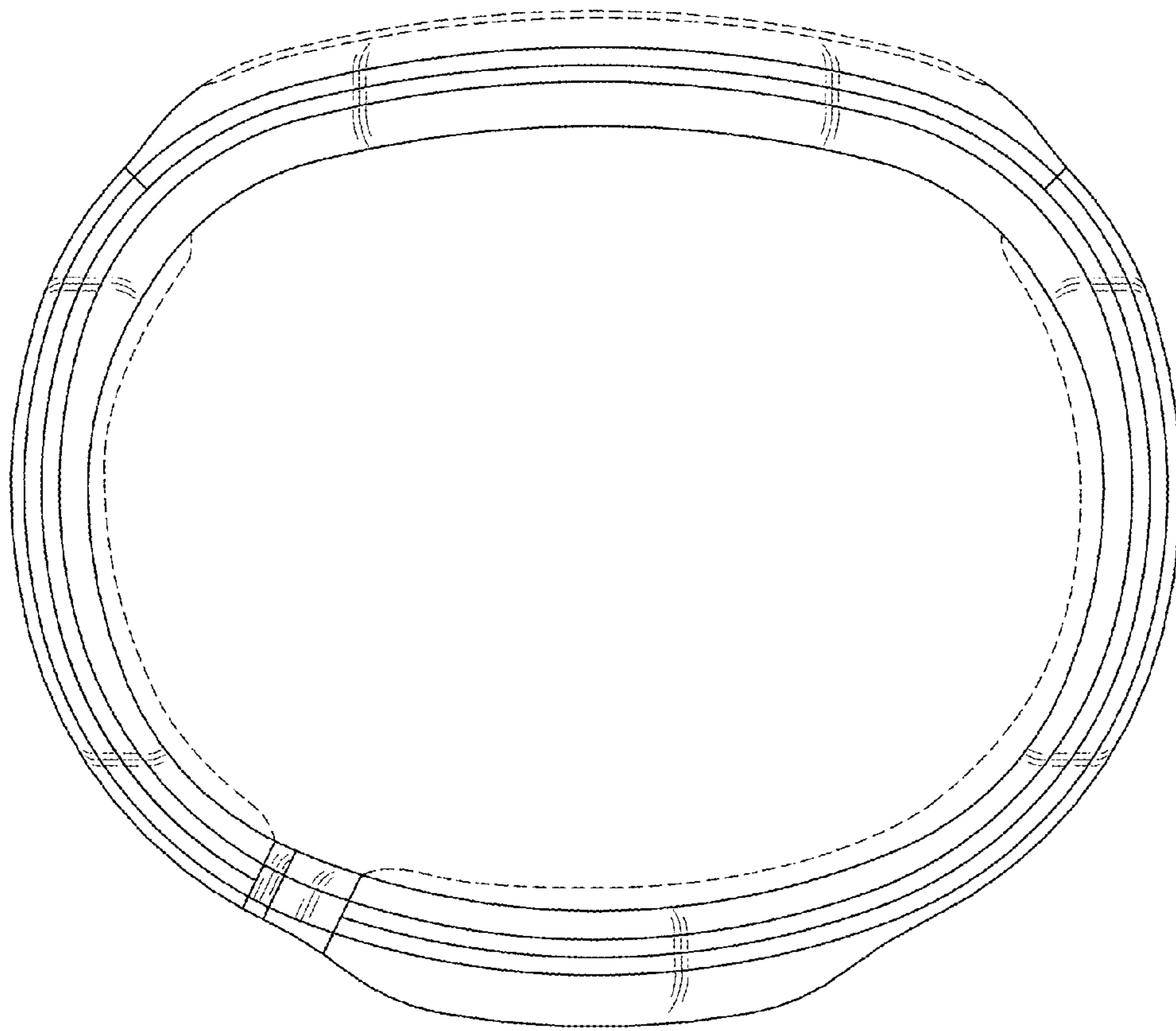


FIG. 9

